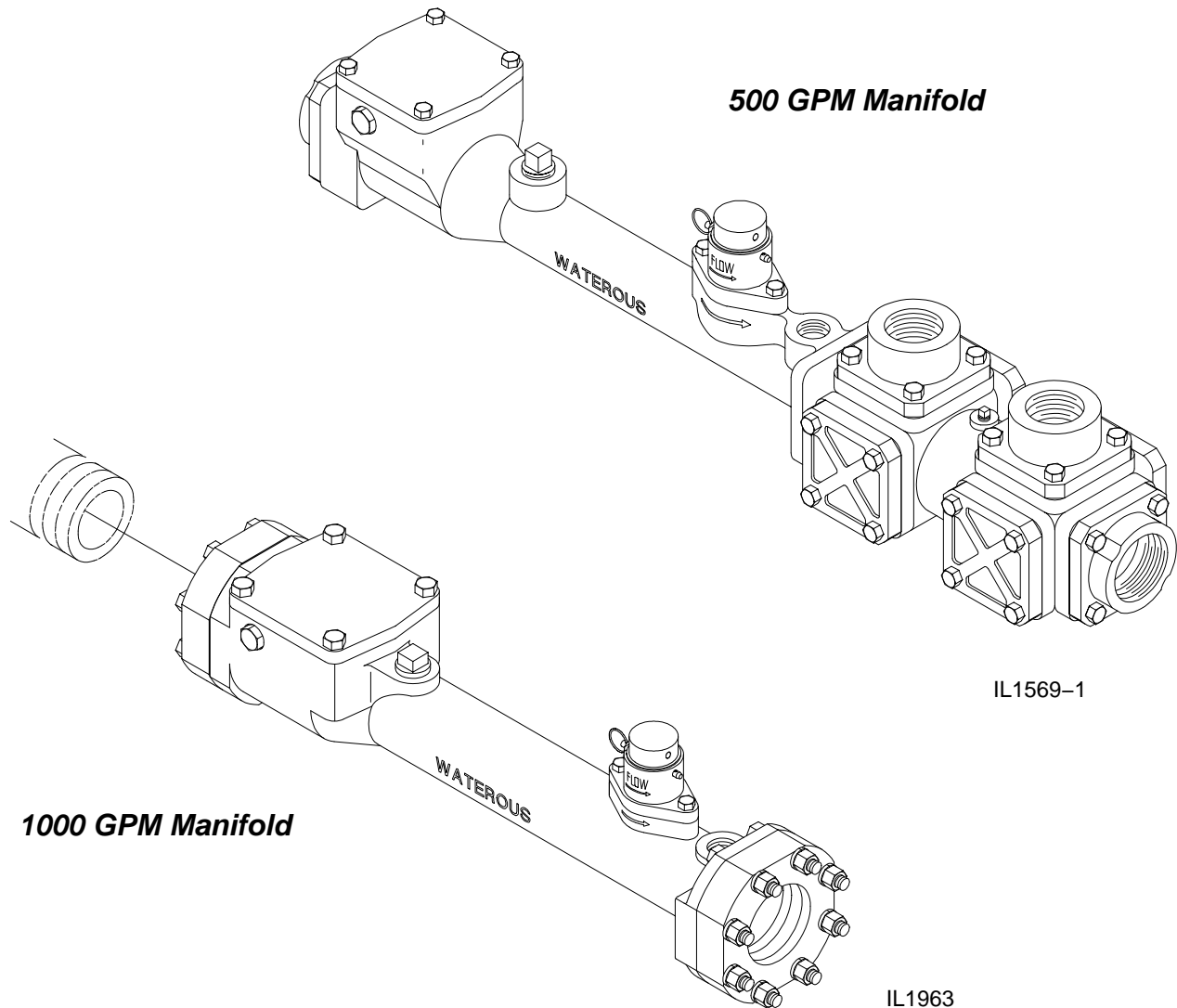


Separately Mounted Foam Manifold

Form No.	Issue Date	Rev. Date
F-2266	08/30/96	12/10/04



Foam Manifold

The Waterous Foam Manifold is a single manifold that easily installs on any new or in-service Waterous midship pump. Designed in conjunction with Hypro®, the foam delivery system allows full performance of the FoamPro® 2001 or 2002. Each manifold is rigorously tested, insuring the highest quality and most dependable product possible.

Features and Benefits:

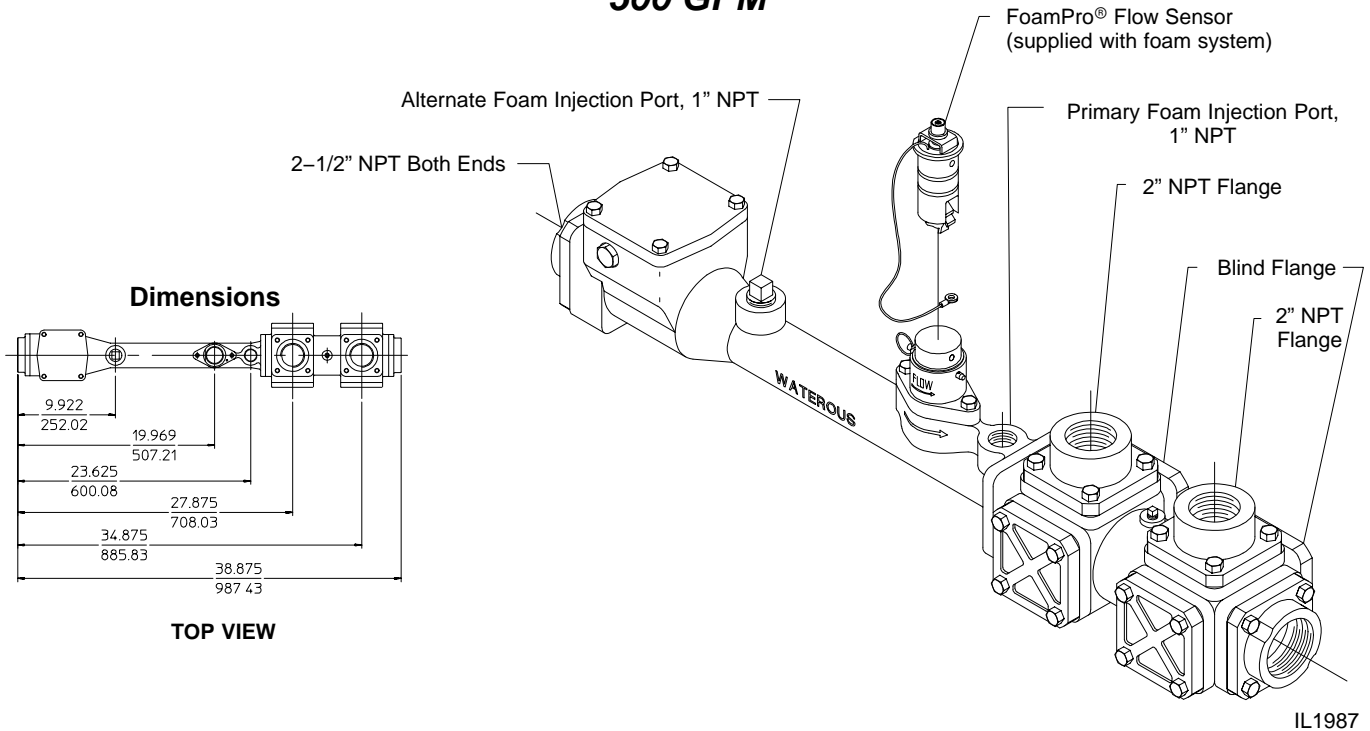
- Sold, serviced and warranted through Waterous
- Fully compatible with FoamPro 2001 (500 GPM manifold only) or 2002 (500 GPM or 1000 GPM manifolds) Foam Pump
- Built-in check valve
- Simple manifold design
- Flexible installation configurations
- Conveniently preassembled and pretested
- Easy to retro-fit in-service pumps
- FoamPro 2001 and 2002 foam pumps are available in 12VDC or 24VDC system voltage
- 500 GPM manifold available with a 2-1/2" NPT flanged discharge

Specifications subject to change without notice



Foam Manifold

500 GPM



1000 GPM

