



SPECIFICATIONS - PTO DRIVEN: MODEL CP-3
Big Things Come in Small Packages.

With a CP-3 pump you get all the advantages of a small package with high performance. Providing maximum flow of 500 GPM @ 150 PSI (1900 L/min @ 10 bar) and maximum pressures of 800 PSI @ 60 GPM (55 bar @ 227 L/min), this hard hitting “pump-and-roll” capability lets you extinguish grass or brush fires quickly and efficiently. Its wide range of performance options also allow you to use the CP-3 as an auxiliary pump to provide “booster” service on an apparatus that has a rated midship pump, or as the only pump on a mini-pumper, tanker, brush truck or special purpose vehicle.



Design Features:

The CP-3 is available with two pump transmission options. It can supply two or more lines with adequately high pressures for use with either straight stream or fog nozzles. This hard hitting “pump-and-roll” capability lets you extinguish grass or brush fires quickly and efficiently.

Three different sets of impellers are available to meet your specific performance requirements. High capacity impellers in the VOLUME position will give you up to 500 GPM (1892 l/m) @ 150 psi (10 bar) from draft (meeting NFPA 1901). High pressure impellers, when in the PRESSURE position will give

you 60 GPM (227 l/m) @ up to 800 psi (55 bar) psi. In a suitable chassis, booster applications can be piped in series with a rated midship single or two-stage pump to provide pressure up to 1000 psig (69 bar).

Each CP-3 unit is custom built to fit your particular requirements. It is best to consult the builder of your Waterous equipped apparatus to determine top performance of this pump combined with the chassis, engine, and truck transmission of your choice

Pump Specifications:

Casing:

One-piece high-tensile, close-grained gray iron (bronze optional).

Wear Rings:

Bronze, replaceable wear ring.

Impeller:

Bronze, hydraulically and mechanically balanced rotation.

Separable Impeller Shaft:

Allows separation of pump from transmission for ease of serviceability.

Installation:

Universal joints, shaft, piping, and controls are furnished by fire apparatus builder.

Seal Type:

Mechanical seal is standard.

Transfer Valve:

Bronze in removable bronze housing; push-pull manual operation.

Rotation:

Available in either rotation of input shaft.

Intake:

4 inch (10 cm), NPT tee adapter.

Discharge:

Two 2 inch or 2-1/2 inch (5 or 6.3 cm) NPT tee adapter or 2-1/2 inch (6.3 cm) tapped flange.

Dimensions and Weights

Length (in/cm)	Width (in/cm)	Height (in/cm)	Weight (lb/kg) (Includes Oil)
26.69 (67.8)	15.8 (40.3)	25.2 (64.1)	185 (84)

Industry-Leading Sales and Support

When you purchase Waterous equipment, not only do you get quality products, you get quality service. Our expert service technicians are the best in the business and they are always happy to answer any service questions you might have.

Sales/Applications Assistance

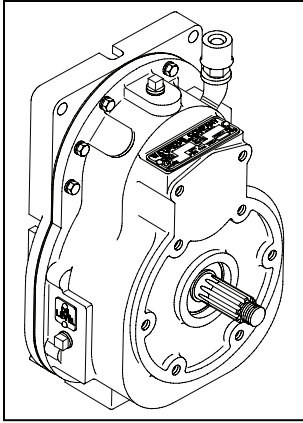
Phone: 651-450-5234 (Press 3)
 pumps@waterousco.com

Service Assistance

Phone: 651-450-5200
 Fax: 800-488-1228
 service@waterousco.com

SPECIFICATIONS - PTO DRIVEN: MODEL CP-3

Pump Transmissions



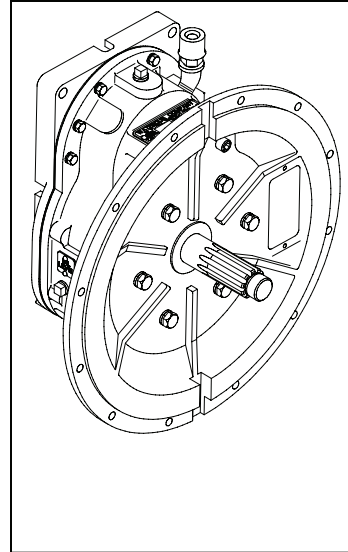
K Series

The K Series Transmission is normally used when a truck transmission mounted power take-off is selected as the pump drive.

Housings: Close-grained, gray iron

Drive Ratios: 1.62, 1.97, 2.14, 2.55, 2.79, 3.40

Gears: Helical, precision cut, crown shaved for proper load distribution and quiet operation.



T Series

The T Series Transmission is supplied when the pump is to be mounted directly to the engine bell housing. This provides a clean, compact arrangement and allows for complete pump and roll capability.

T Transmissions are available in SAE 2, 3, 4, or 5 bell housing adapters.

Housings: Close-grained, gray iron

Drive Ratios: 1.62, 1.97, 2.14, 2.55, 2.79, 3.40

Gears: Helical, precision cut, crown shaved for proper load distribution and quiet operation.

Accessories & Optional Equipment

The accessories below are available for Waterous CP-3 pumps. For detailed information about these accessories, request each specification sheet by number.

Primer

Select an electric rotary vane primer for fast, reliable priming. F-2418

Pressure Control Systems

Discharge Relief Valve

Simple ON-OFF control permits placing the system in or out of operation in seconds. See Relief Valve, F-897.

Intake Relief Valves

The Waterous intake relief valve is designed to dump excess pressure from the inlet side of the pump. See Intake Relief Valves, F-2192.

Corrosion Protection

Waterous offers replaceable zinc intake screens and anodes to provide corrosion protection. These items are designed to sacrifice the zinc element to galvanic corrosion. Without this protection, galvanic corrosion may damage the iron pump body and fittings.

Overheat Protection Manager

The OPM consists of an illuminated warning light on the operator's panel whenever the pump approaches an overheat condition. F-2422

Drain Valves

Drains all points of the pump simultaneously with the operation of a single control. F-1158

Discharge Valves

The following Waterous ball-type discharge valves are available: 2-1/2 inch, 3-1/2 inch, rack and sector push-pull, worm gear and electric. Chrome-plated brass ball and hydraulically-balanced seal assembly standard. See Discharge Valves, F-1161.

Tachometer

Tachometer drive available; operates at 1/2 input shaft speed.

Performance Ratings

(With three impeller set options available, Waterous can furnish any one of the following typical capacity/pressure ratings.)

Note: Pump performance may be limited by PTO/engine or truck transmission rating.

Capacity	GPM / L/min	Pressure – PSI / Bar
High Capacity	500 (1892)	150 (10.3) in Parallel
	60 (227)	500 (34) in Series
High Pressure	150 (568)	150 (10.3) in Parallel
	60 (227)	500 (34) in Series
Medium Capacity	275 (1041)	150 (10.3) in Parallel
	60 (227)	600 (41) in Series