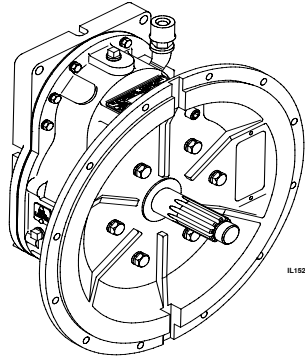




SPECIFICATIONS – TRANSMISSIONS: MODEL T



Available Models:

Drive	Type	Model	Helical Gear Data			Available Bellhousings		Power Capability (See Note)	Available Ratios
			Pitch	Face Width	Center Distance	Housing Adapter	For Clutch No.		
Direct Engine Mount for SAE Flywheel for Driving Over Center Type Clutch per SAE J620	Two-Gear Without Hydraulic Clutch	Medium Duty T (MDT)	12	1-1/2 in.	4.589 in. 116.56 mm	SAE 3 or 4	10	Equipment Requiring Up to 65 HP (48.5 kW)	1.44, 1.62, 1.97, 2.14, 2.33, 2.55, 2.79, 2.93, 3.40, 4.00, 4.79
						SAE 4	8		
						SAE 3	11-1/2		
		Heavy Duty T (HDT)	8	1-5/8 in.	4.589 in. 116.56 mm	SAE 2, 3 or 4	10	Equipment Requiring Up to 150 HP (111.9 kW)	1.16, 1.38, 1.56, 1.65, 1.76, 1.88, 2.14, 2.45,
						SAE 2 or 3	11-1/2		
						SAE 4	8		
TA	12	1-1/2 in.	4.50 in 114.30 mm	SAE 5	6-1/2	Equipment Requiring Up to 65 HP (48.5 kW)	2.00		
				SAE 4	8				

Note: Power capability list is for general guidelines only. Contact Waterous Applications Manager for your specific requirements.

Specifications:

Input Rotations:

- Clockwise or counter clockwise (All Models Except TA)
- Clockwise (TA Only)

Case Mounting:

- Vertical, Horizontal (Left or Right), Inverted (All Models Except TA)
- Vertical (TA Only)

Tachometer:

- Optional Mechanical Gear Drive (All Models Except TA)
- Not Available on TA

Optional Drive Plates:

No. 6-1/2, 8, 10 or 11-1/2 available

Industry-Leading Sales and Support

When you purchase Waterous equipment, not only do you get quality products, you get quality service. Our expert service technicians are the best in the business and they are always happy to answer any service questions you might have.

Sales/Applications Assistance

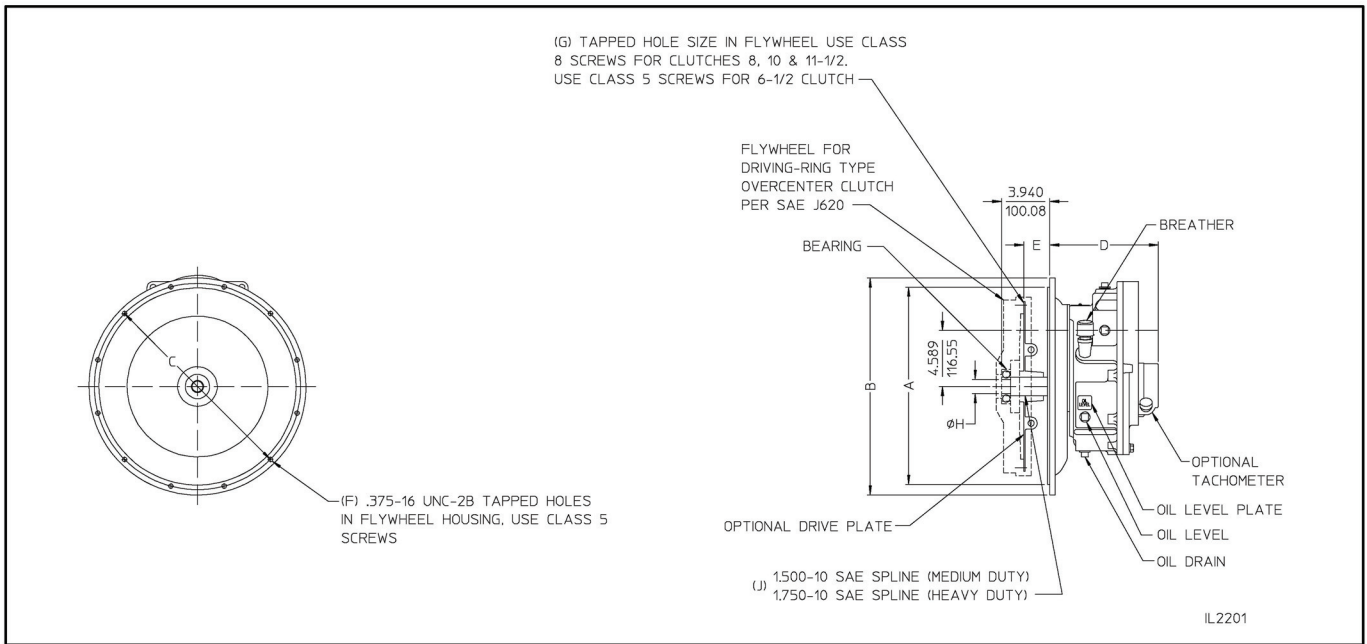
Phone: 651-450-5234 (Press 3)
pumps@waterousco.com

Service Assistance

Phone: 651-450-5200
Fax: 800-488-1228
service@waterousco.com

SPECIFICATIONS – TRANSMISSIONS: MODEL T

T Series Gear Drive Transmission Dimensions



MEDIUM DUTY T, TA												
SAE Bellhousing					D	SAE Flywheel			Optional Drive Plate		Drive Shaft	
Size	A	B	C	F		Clutch Number	E	G	Part Number	Torque Rating	H	J
3	16.125/409.58	17.750/450.85	16.875/428.63	12	7.250/ 184.15 (1)	10	2.12/53.85	3/8-16	V 2272	850 ft-lb 1153 Joules	Ø 1.1805 1.1800 29.98 29.97	1.500-10 SAE
4	14.250/361.95	15.875/103.23	15.000/381.00			11-1/2	1.56/39.62		V 2461	425 ft-lb 576 Joules		
3	16.125/409.58	17.750/450.85	16.875/428.63	12		8	2.44/61.97		V 2852	N/A		
4	14.250/361.95	15.875/403.23	15.000/381.00	12								
5	12.375/314.32	14.000/355.60	13.125/333.38	8	6.25/ 158.75 (2)	6-1/2	1.19/30.23	5/16-18	V 2865	N/A	Ø 7.868 7.858 19.98 19.96	1.00-15T Involute

(1) Dim. D is 6.478 on TA model with SAE No. 4

(2) Dim. D is 5.478 on TA model with SAE No. 5

HEAVY DUTY T											
SAE Bellhousing						SAE Flywheel		Optional Drive Plate			
Size	A	B	C	D	F	Clutch Number	E	Part Number	Torque Rating		
2	17.625/447.68	19.250/488.95	18.375/466.73	8.250/209.55	12	10	2.12/53.85	V 2462	850 ft-lb 1152.6 Joules		
3	16.125/409.58	17.750/450.85	16.875/428.63	7.250/184.15	12						
4	14.250/361.95	15.875/403.23	15.000/381.00	12	12						
2	17.625/447.68	19.250/488.95	18.375/466.73	8.250/209.55	12	11-1/2	1.56/39.62	V 2463			
3	16.125/409.58	17.750/450.85	16.875/428.63	7.250/184.15	12						