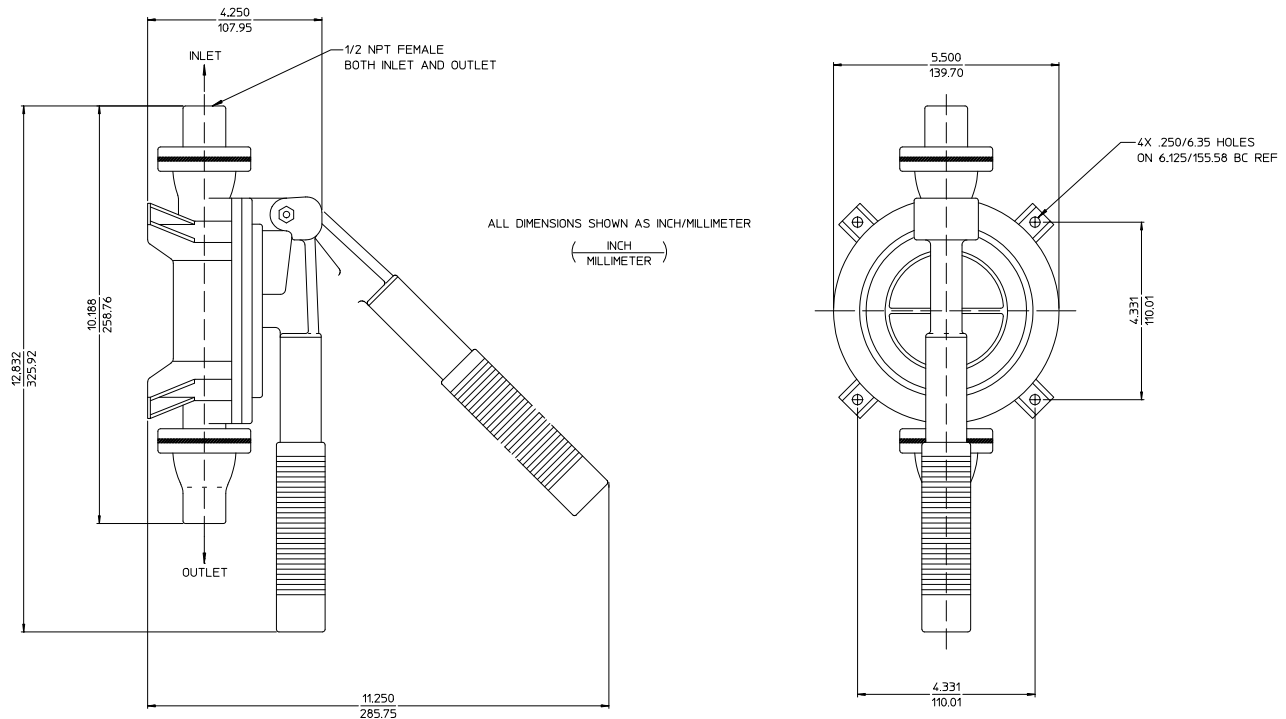


# Priming Systems Manual Diaphragm Primer

## Installation Instructions

Form No.	Section	Issue Date	Rev. Date
F-1031	3033	04/09/13	



1. The primer should be mounted vertically, with the outlet pointing down, to allow proper drainage. Select a rigid mounting position allowing ease of operation and maintenance, as close to the main pump as possible (to keep connecting hose from priming valve short).
2. Install a priming valve in-line with the connecting hose from the main pump to the priming pump at a convenient location (according to Figure 1 in "Principals of Operation" section). Size the priming valve and connecting hose accordingly with your application, keeping both as near 1/2" as possible.
3. If desirable, connect a hose to the discharge pipe to direct the discharge to a specific location.



Read through the safety information and operating instructions carefully before using your Waterous Foam Manager.



Visit us at [www.waterousco.com](http://www.waterousco.com)