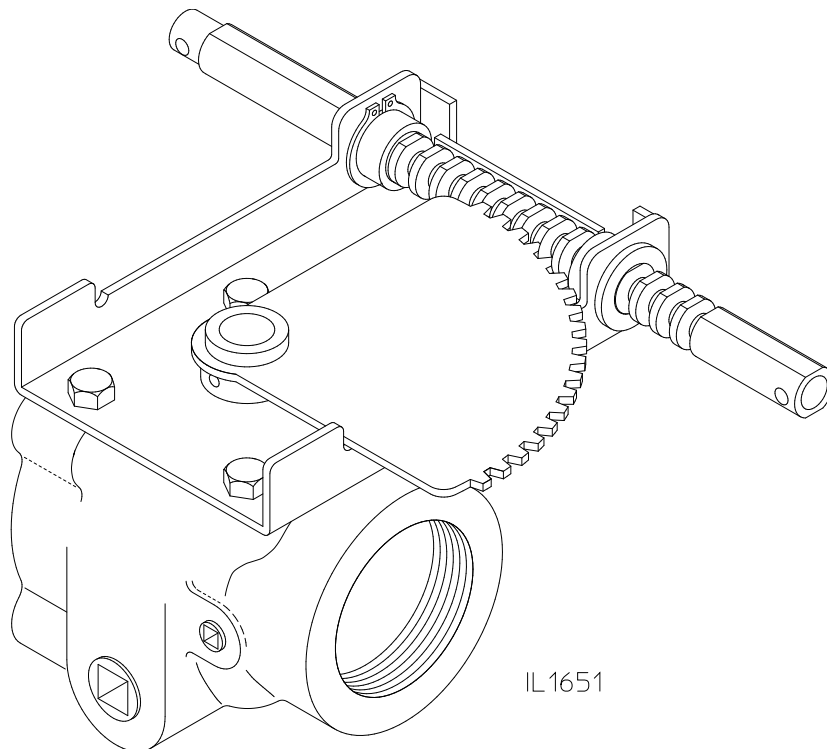
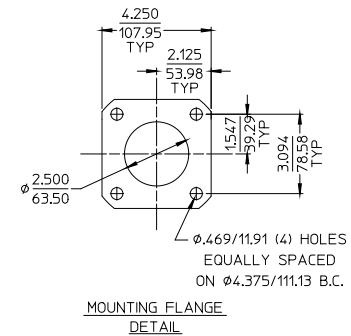
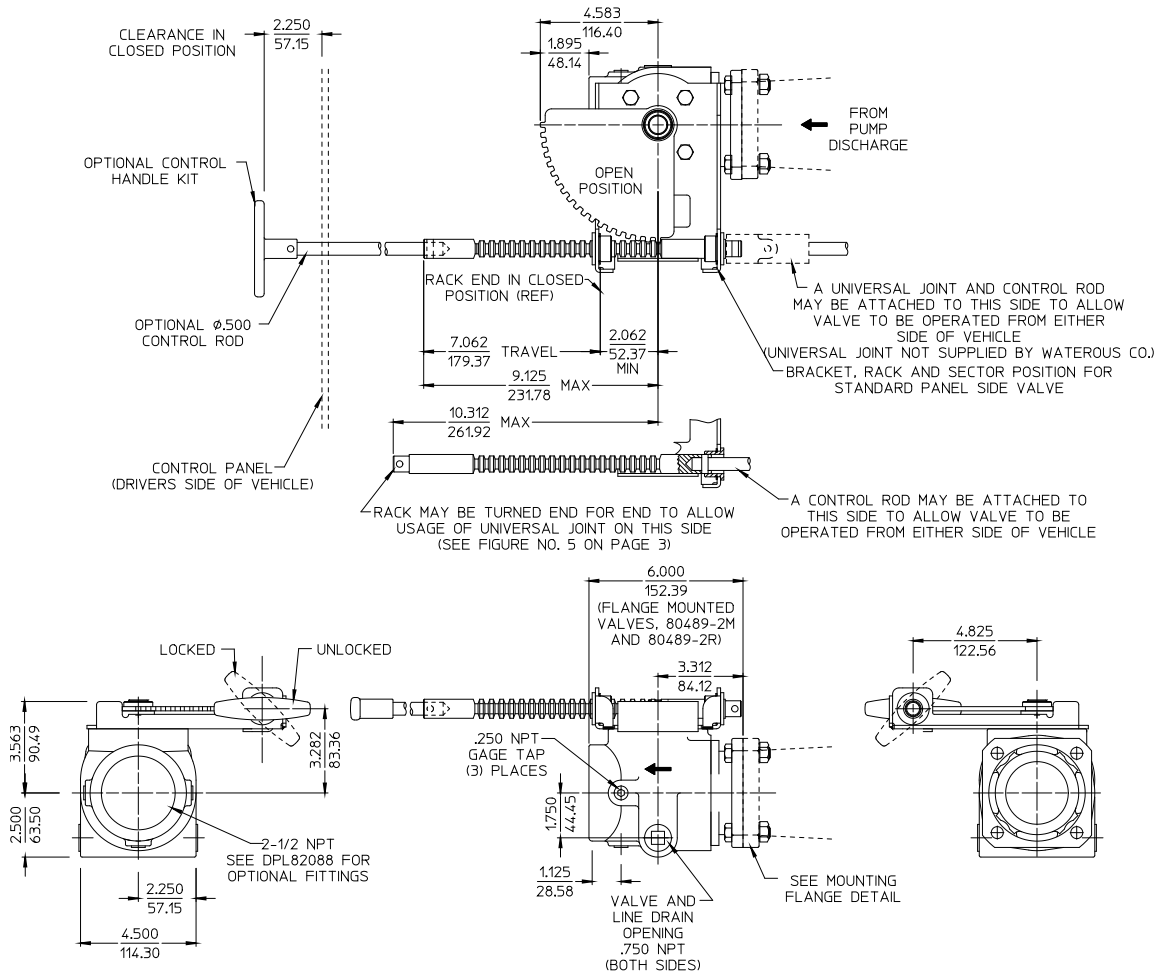


## Dimensional Drawings for 2-1/2" Standard Push-Pull Discharge Valve Valve Part No. 80489

Index:

Feature		See Page
Mounting	Panel Side	1
	Remote Side	2
Available Operating Rod and Sector Positions		3





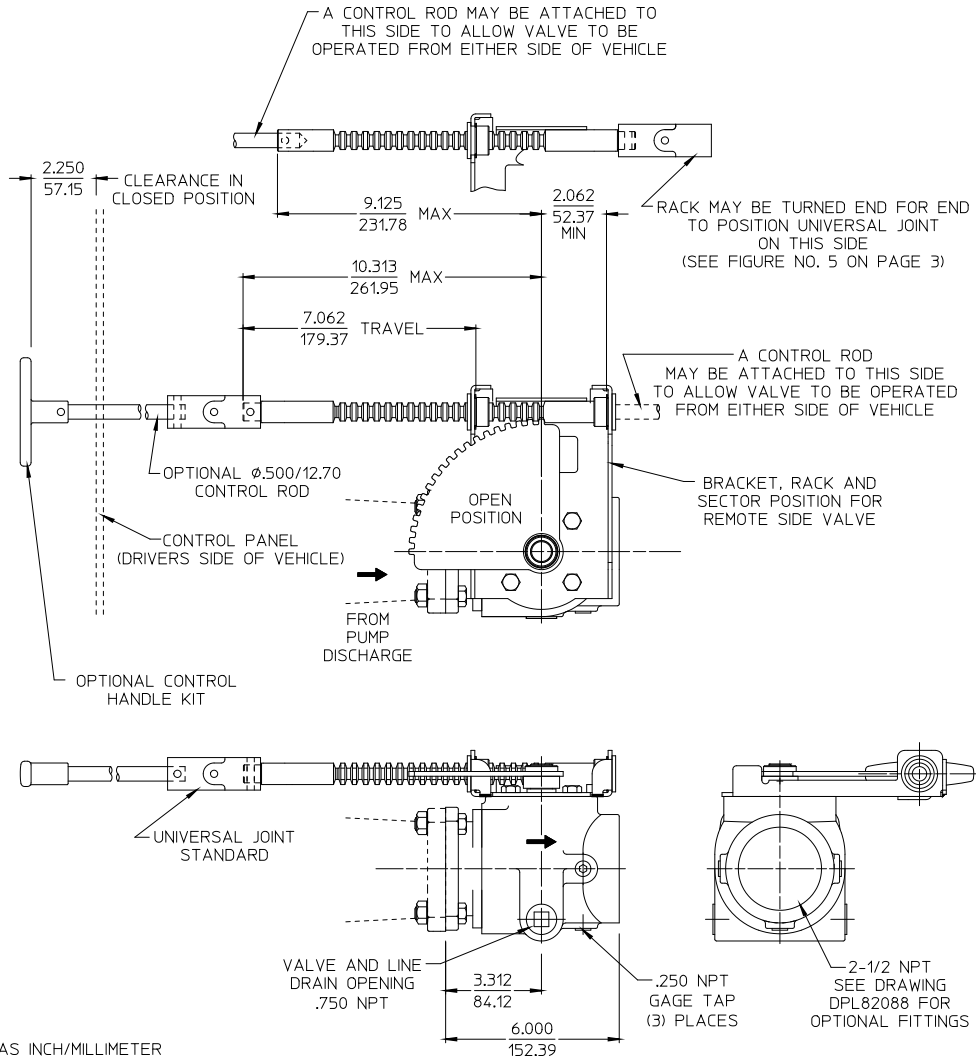
- NOTES:  
 WHEN ORDERING SUPPLY THE FOLLOWING INFORMATION:  
 1. VALVE PART NUMBER 80489  
 2. SUFFIXES WHICH INDICATE VALVE MOUNTING AND POSITION OF OPERATING ROD AND SECTOR:  
 80489-2M (1) OPERATING ROD AND SECTOR POSITION, FIGURE NO'S 1 THRU 16 AVAILABLE FOR ALL MOUNTINGS, SEE PAGE 3.  
 VALVE MOUNTING:  
 2M: PANEL SIDE (FLANGE MOUNTED)  
 2R: REMOTE SIDE (FLANGE MOUNTED) SEE PAGE 2  
 3. OPTIONAL ITEMS REQUIRED SUCH AS CONTROL PLATE KIT, CONTROL HANDLE KIT, CONTROL ROD, DISCHARGE ADAPTERS, PIPE NIPPLES, SEE DRAWING DPL82499 FOR THESE ITEMS.  
 4. MOUNTING LOCATION OF EACH VALVE ORDERED.  
 5. MATERIAL: IRON ONLY AVAILABLE.  
 6. IF OPERATING ROD AND SECTOR FIGURE NUMBER IS NOT SPECIFIED, WATEROUS COMPANY WILL FURNISH STANDARD POSITION FIGURES AS FOLLOWS:  
 80489-2M (1) (FIGURE NO. 1)  
 80489-2R (1) (FIGURE NO. 9)

ALL DIMENSIONS SHOWN AS INCH/MILLIMETER

(  $\frac{\text{INCH}}{\text{MILLIMETER}}$  )

**80489-2M PANEL SIDE MOUNTING**

STANDARD OPERATING ROD AND SECTOR FIGURE NO. 1 SHOWN FOR FIELD CONVERSION THE POSITION OF THE OPERATING ROD AND SECTOR CAN BE CHANGED TO TO ANY FIGURE NUMBER ON PAGE 3.

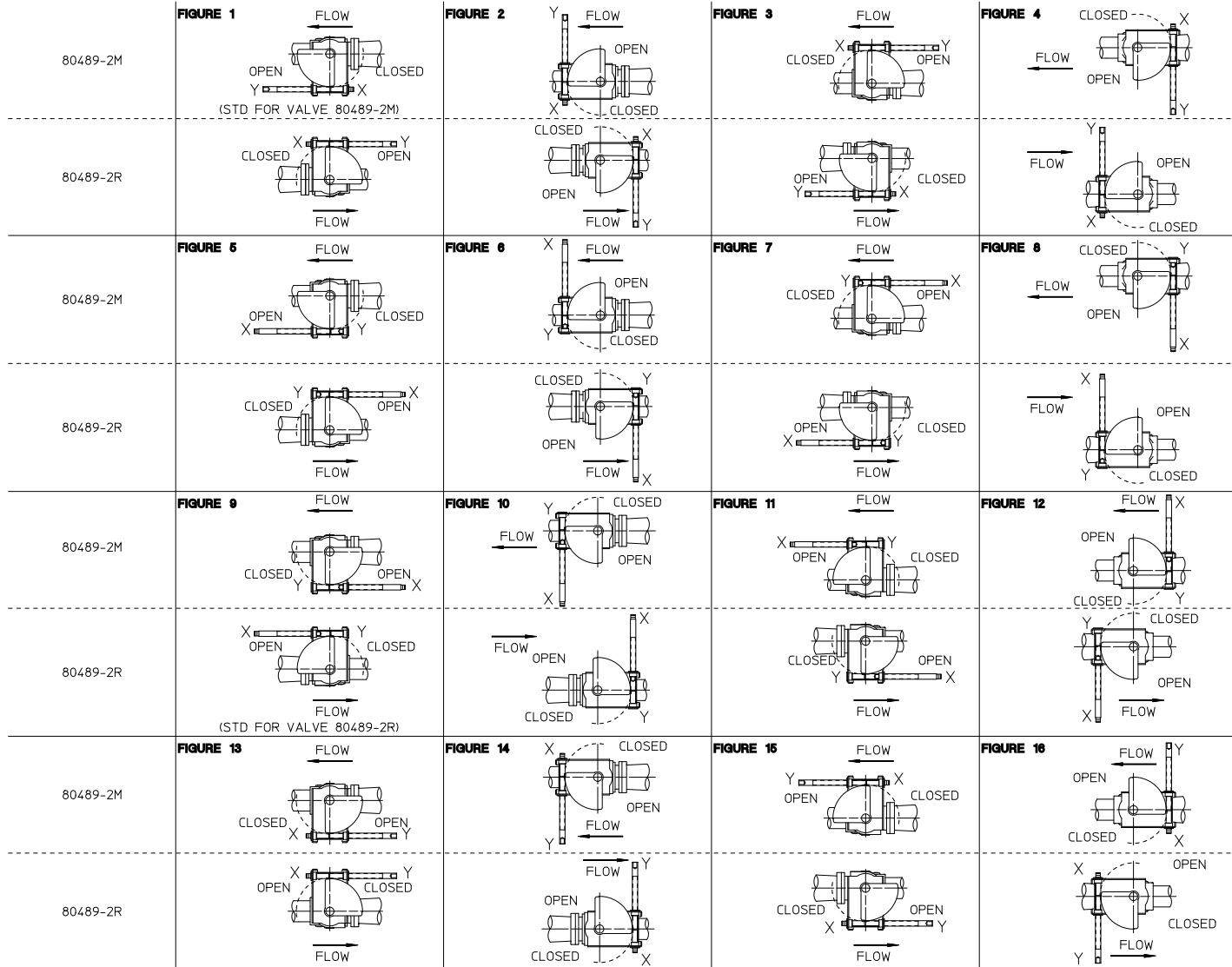


ALL DIMENSIONS SHOWN AS INCH/MILLIMETER

(  $\frac{\text{INCH}}{\text{MILLIMETER}}$  )

**80849-2R  
REMOTE SIDE MOUNTING**

STANDARD OPERATING ROD AND SECTOR FIGURE NO. 9 SHOWN  
FOR FIELD CONVERSION THE POSITION OF THE OPERATING ROD AND SECTOR  
CAN BE CHANGED TO TO ANY FIGURE NUMBER ON PAGE 3.



KEY  
 Y INDICATES A  $\phi$ .500/12.70  
 HOLE FOR RIGID ROD CONNECTIONS.  
 X INDICATES PROVISION FOR  
 UNIVERSAL JOINT CONNECTION.

ALL 80489-2R (REMOTE) VALVES  
 ARE FURNISHED WITH A UNIVERSAL  
 JOINT ON "X" END. BUILDER  
 MUST SUPPLY UNIVERSAL JOINT  
 FOR 80489-2M (PANEL) VALVES  
 IF INSTALLATION REQUIRES IT.

ALL DIMENSIONS SHOWN  
 AS INCH/MILLIMETER  
 (INCH  
 MILLIMETER)