

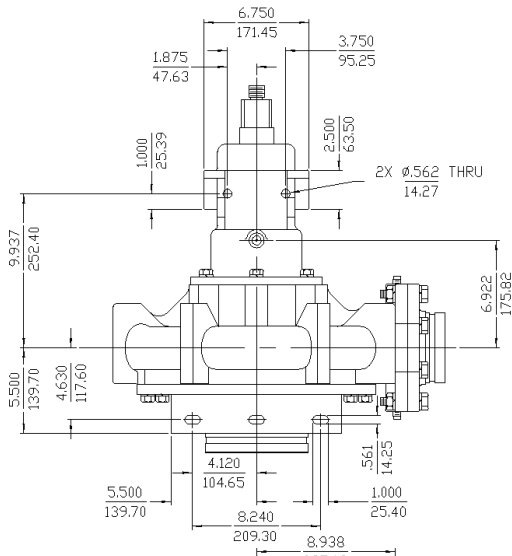


Document Number	Issue Date	Rev. Date
<b>DPL81700</b>	<b>08/22/90</b>	<b>4/16/25</b>

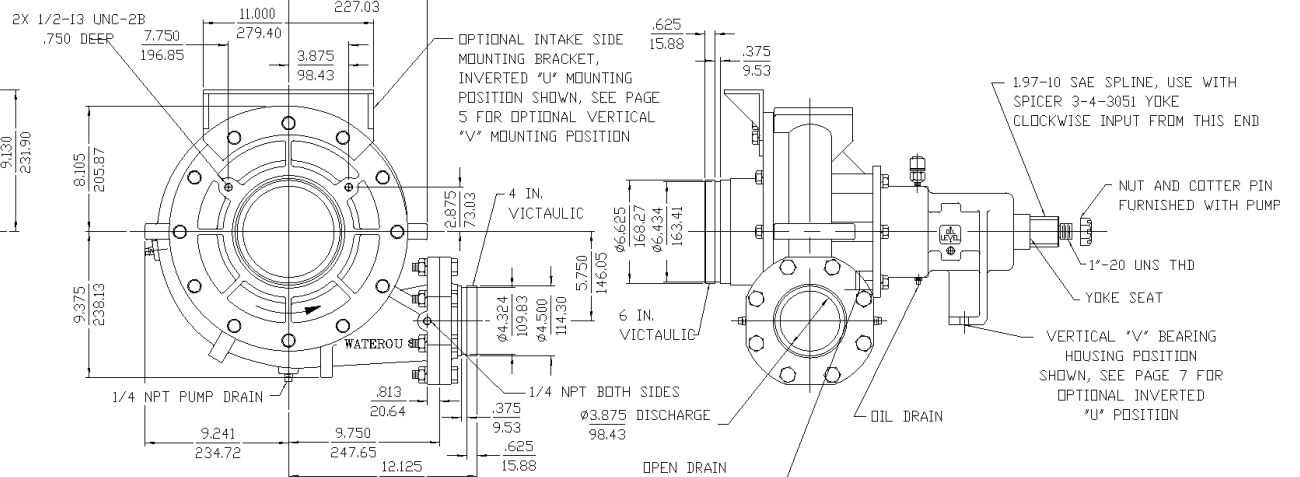
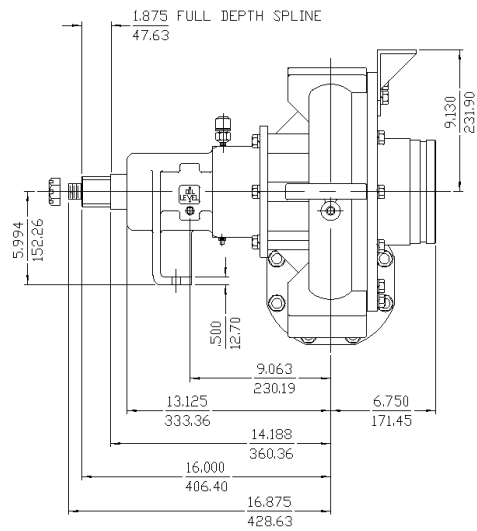
## CZ Series Fire Pump Dimensional Drawings

Item		See Page
Model CZ	Iron	2
Model CZU	Iron	3
Available Mounting Bracket Positions		4
Available Discharge Positions		5
Ordering Information		6

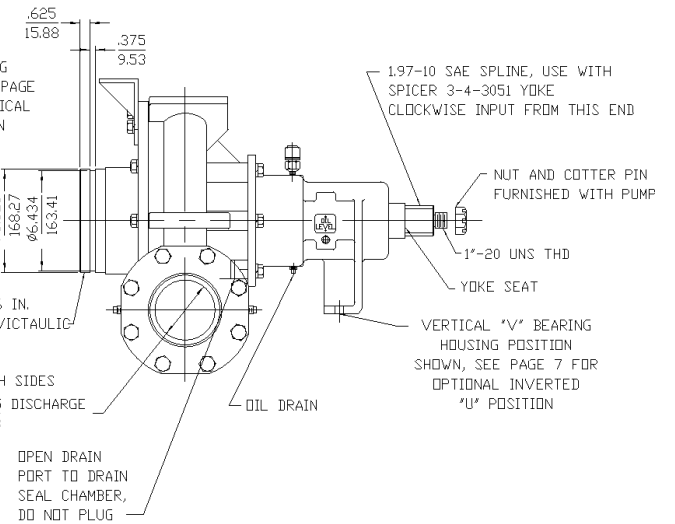




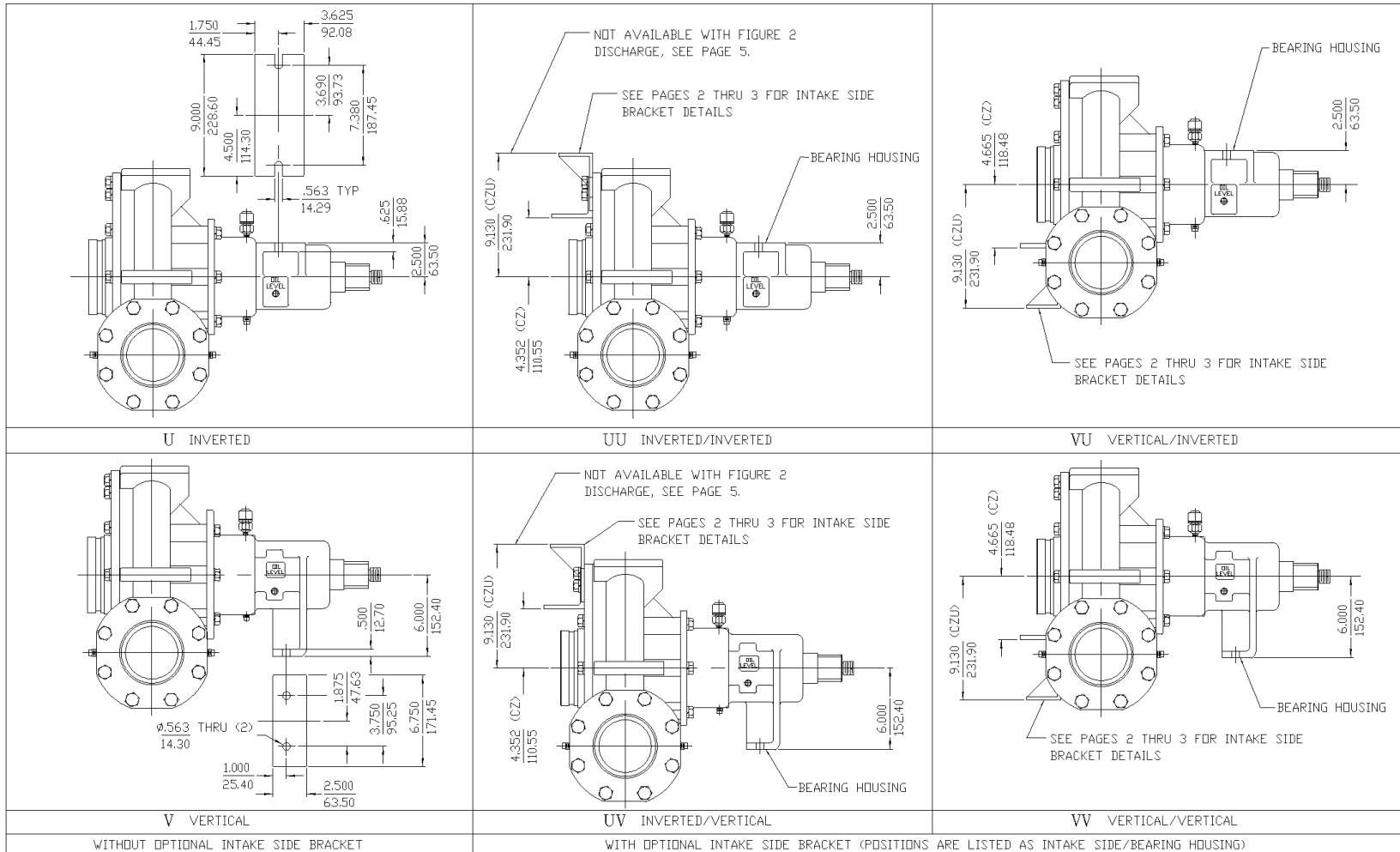
ALL DIMENSIONS SHOWN IN INCH/MILLIMETER.  
( INCH / MILLIMETER )



**IRON MODEL CZU**  
BASIC PUMP DIMENSIONS  
(HORIZONTAL FIGURE NO. 1 MOUNTING SHOWN.  
SEE PAGE 4 FOR OTHER MOUNTING POSITIONS)



**CZ/CZU PUMP ASSEMBLY**  
DPL81700  
WATEROUS COMPANY  
SOUTH ST. PAUL, MN 55075  
PAGE 3 OF 6



ALL DIMENSIONS SHOWN IN INCH/MILLIMETER.  
 ( INCH / MILLIMETER )

AVAILABLE MOUNTING BRACKET POSITIONS (CZ AND CZU MODELS)

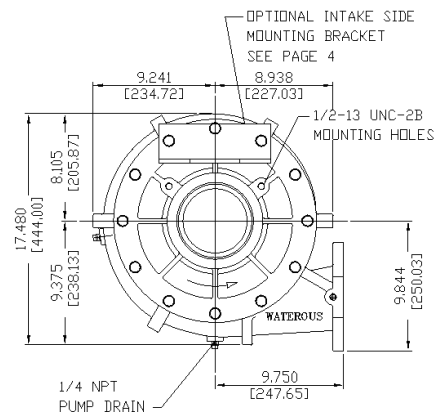


FIGURE 1 HORIZONTAL

CZU MODELS

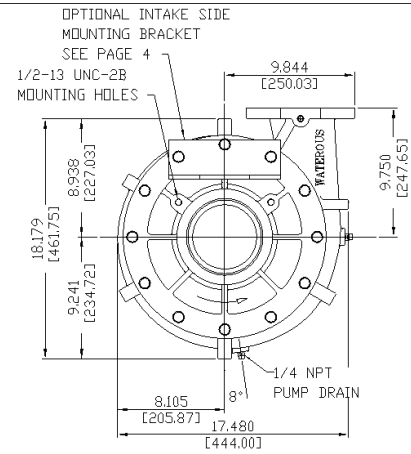


FIGURE 2 VERTICAL

AVAILABLE DISCHARGE POSITIONS, VIEWED FROM INTAKE SIDE

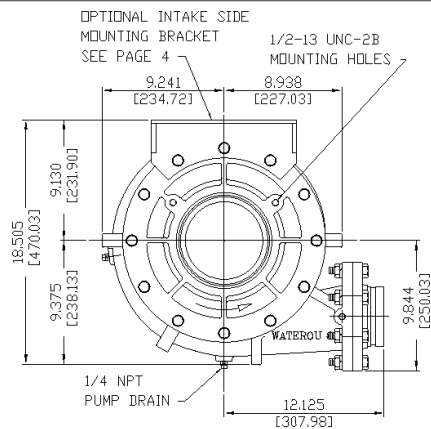


FIGURE 1 HORIZONTAL

CZU MODELS

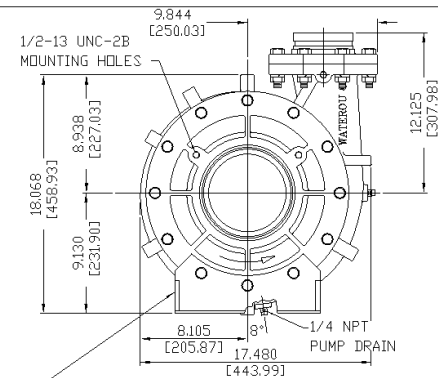


FIGURE 2 VERTICAL

INTAKE BRACKET IS ONLY AVAILABLE IN THE INVERTED POSITION AS IT INTERFERES WITH THE DISCHARGE FLANGE.

AVAILABLE DISCHARGE POSITIONS, VIEWED FROM INTAKE SIDE

ALL DIMENSIONS SHOWN IN INCH/MILLIMETER.  
 ( INCH / MILLIMETER )

## ORDERING INFORMATION

WHEN ORDERING, SUPPLY THE FOLLOWING INFORMATION:

1. MODEL: CZ OR CZU
2. MATERIAL: IRON
3. BASIC ASSEMBLY NUMBER 81700
4. SUFFIXES WHICH INDICATE MOUNTING BRACKET POSITIONS AND DISCHARGE POSITION:

