



Document Number	Issue Date	Rev. Date
DPL81716	06/29/89	04/14/14

Dimensional Drawings for TMR Reversing Transmission

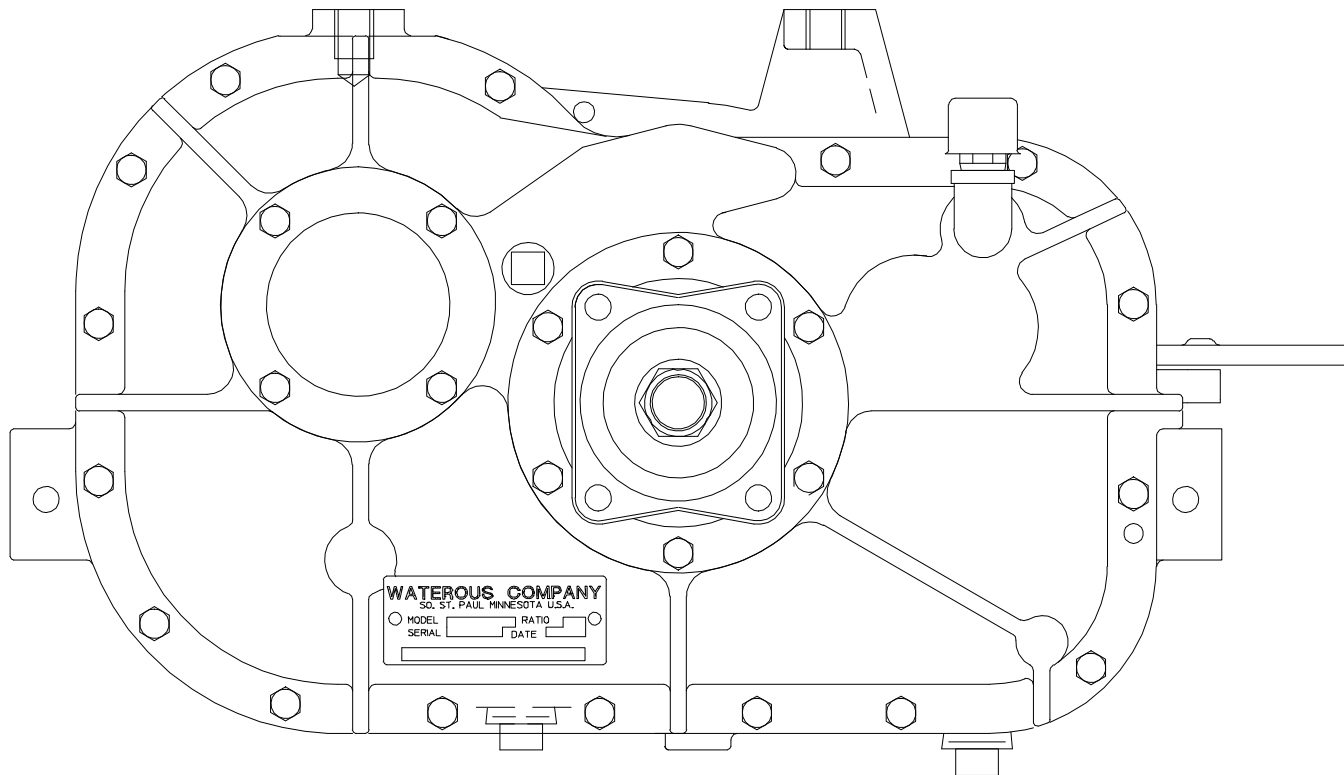
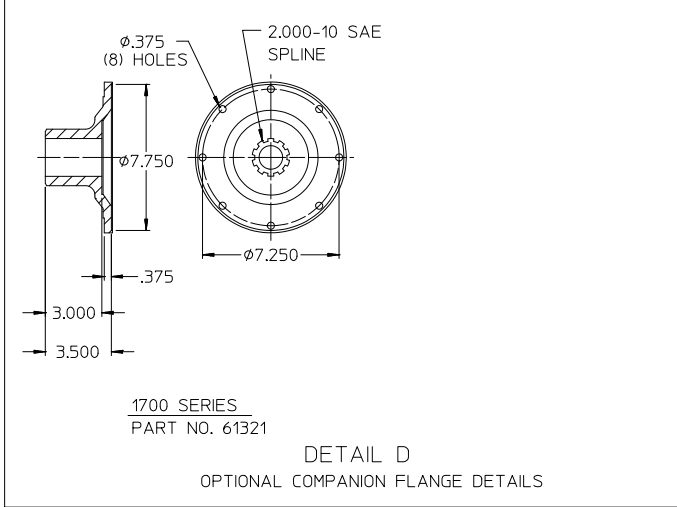
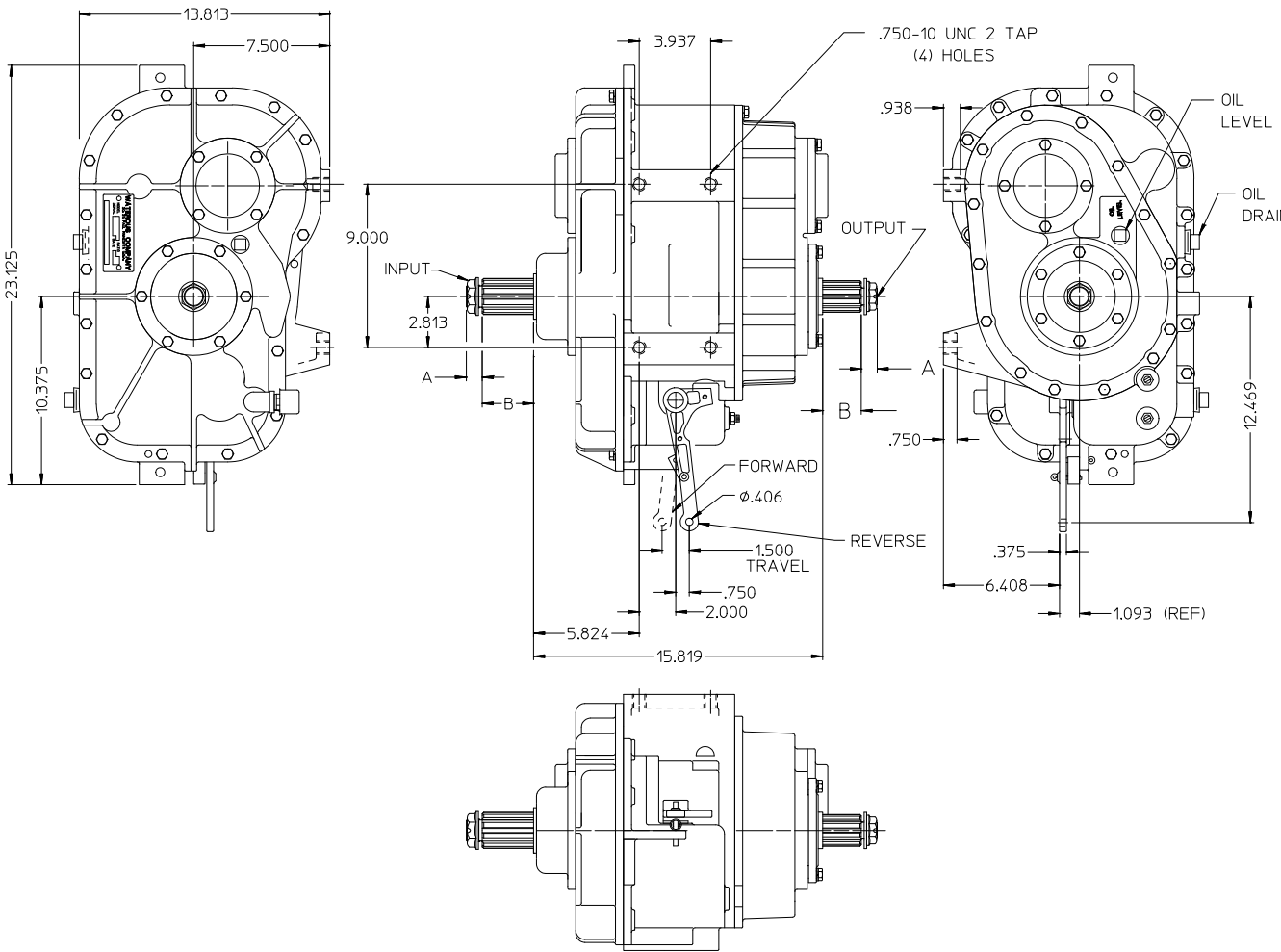


TABLE 1 - AVAILABLE FEATURES								
MODEL	TYPE	DRIVE LINE				SELF LOCKING NUT TORQUE VALUE	OPTIONAL COMPANION FLANGES (SEE DETAIL D)	
		SIZE	SPLINE	DIM. A	DIM. B		SERIES	PART NO.
TMR	EXTRA HEAVY DUTY	2.000 IN.	2.000-10 SAE	.875	2.834	475-525 LB-FT	1700	61321



MODEL TMR REVERSING TRANSMISSION