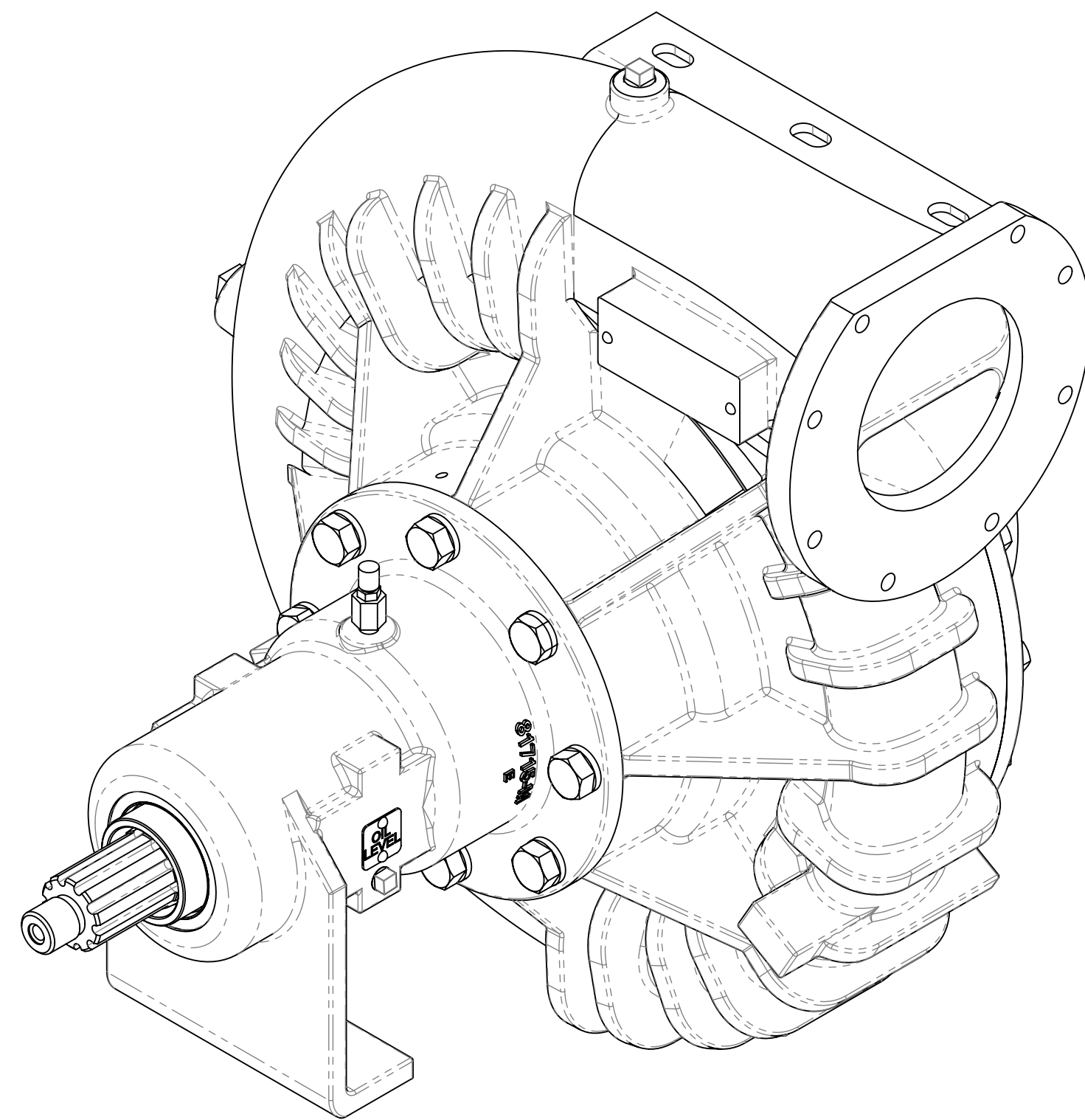
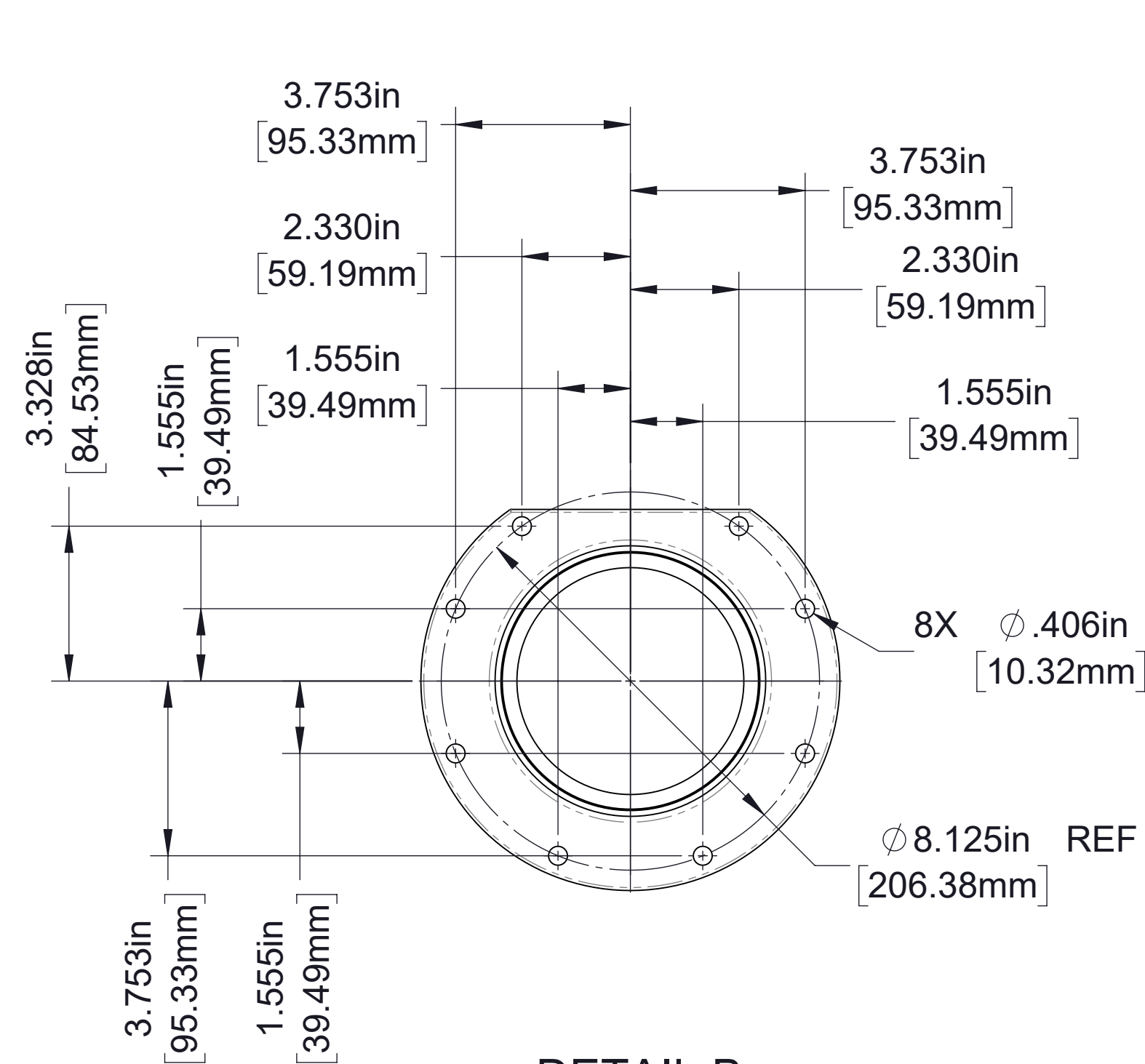


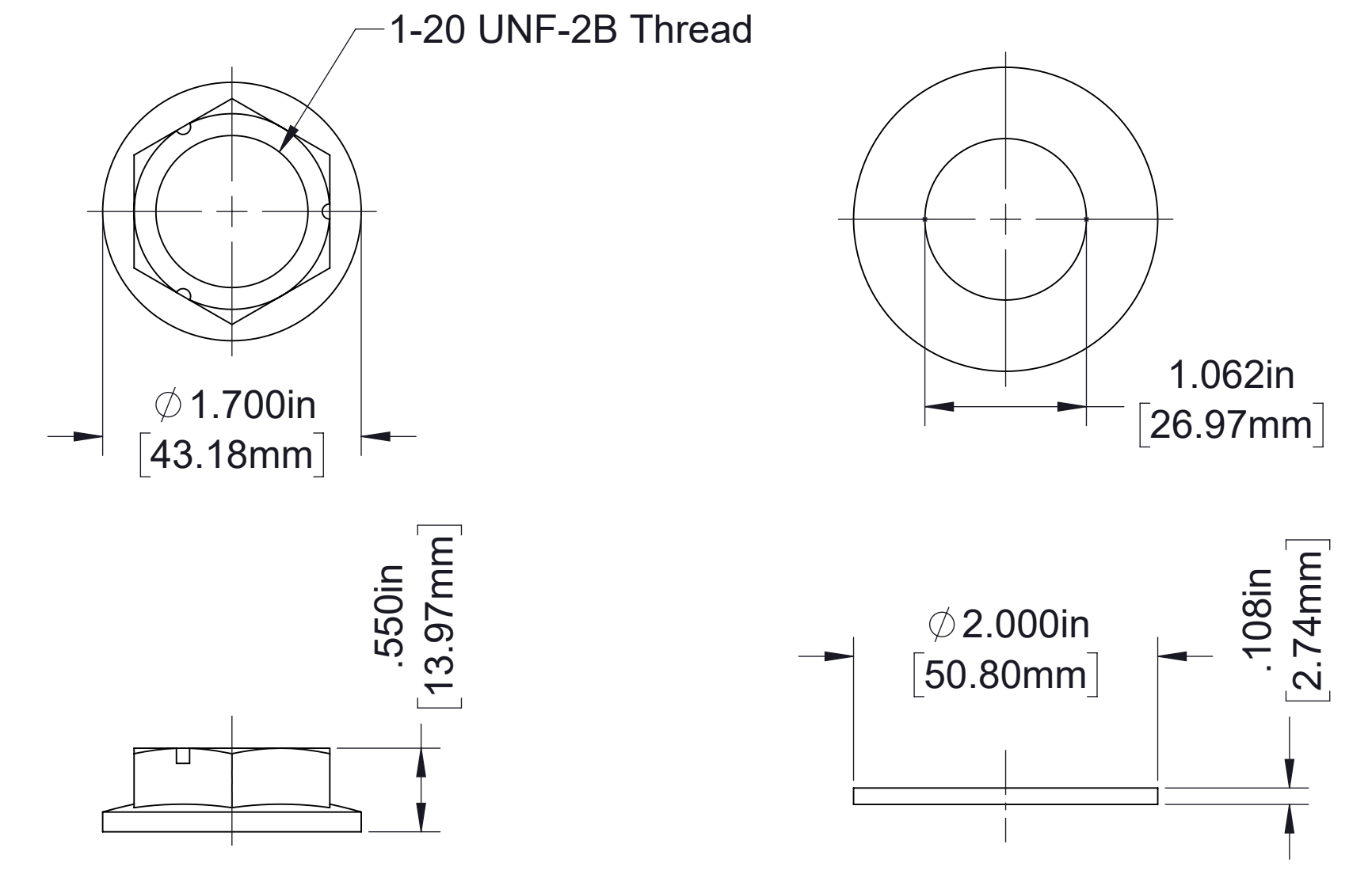
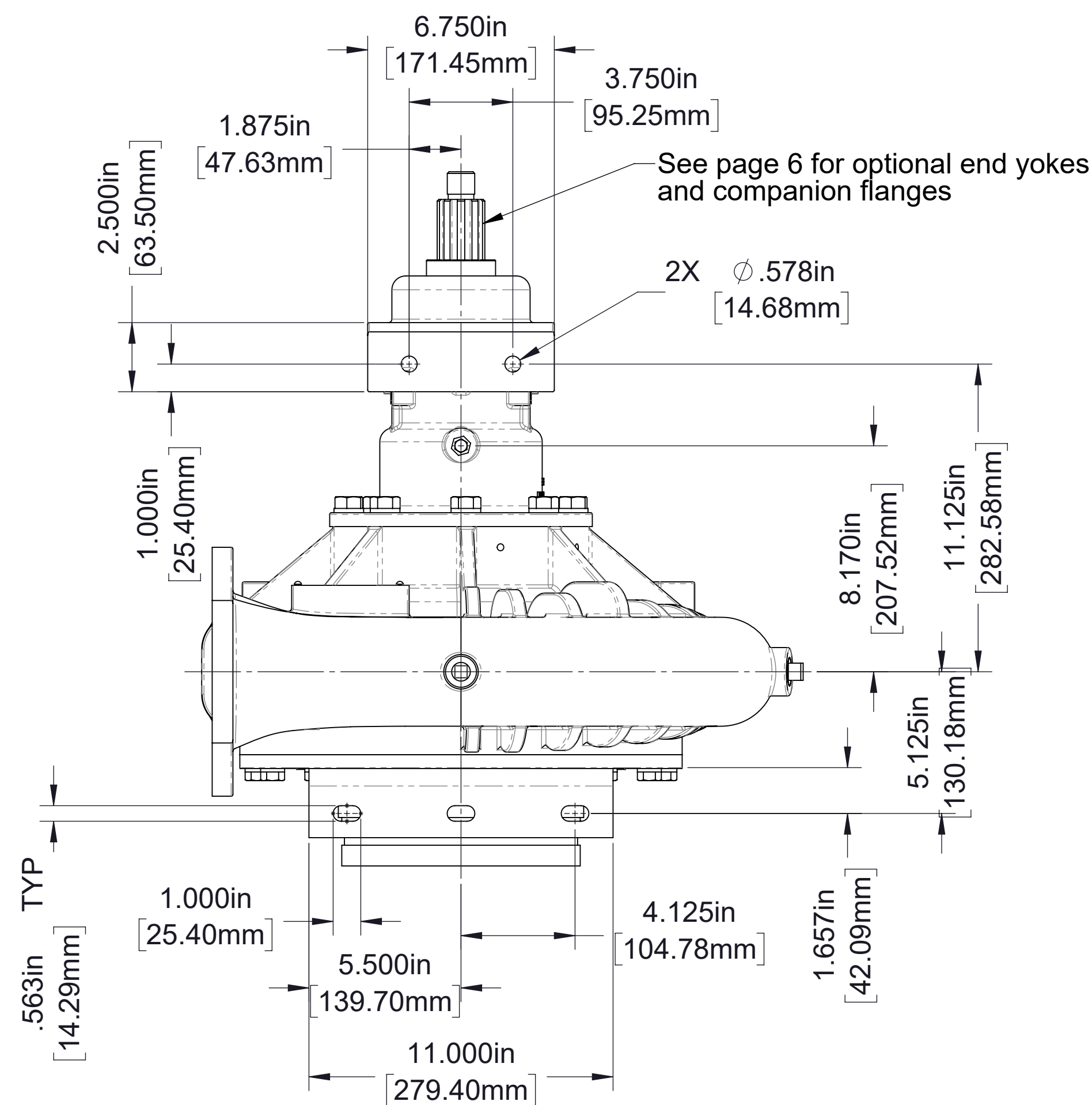
Dimensional Drawings For CR Series Direct Drive Fire Pumps

Description	See Page
Basic Pump Dimensions	2
Available Mounting Bracket Positions	3
Available Discharge Positions And Optional Discharg Adapter	4
Ordering Information	5
Optional End Yokes and Companion Flanges	6

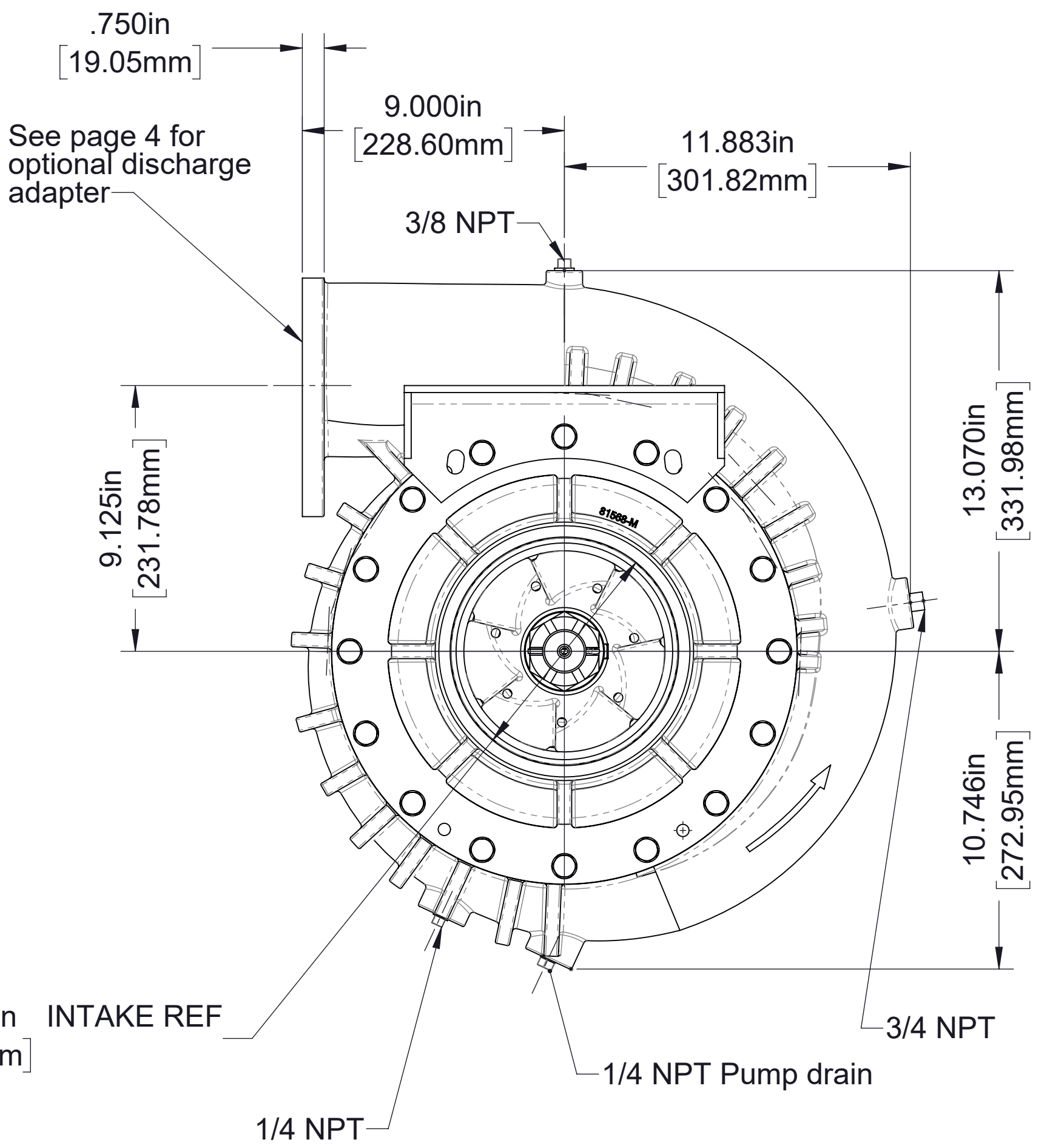
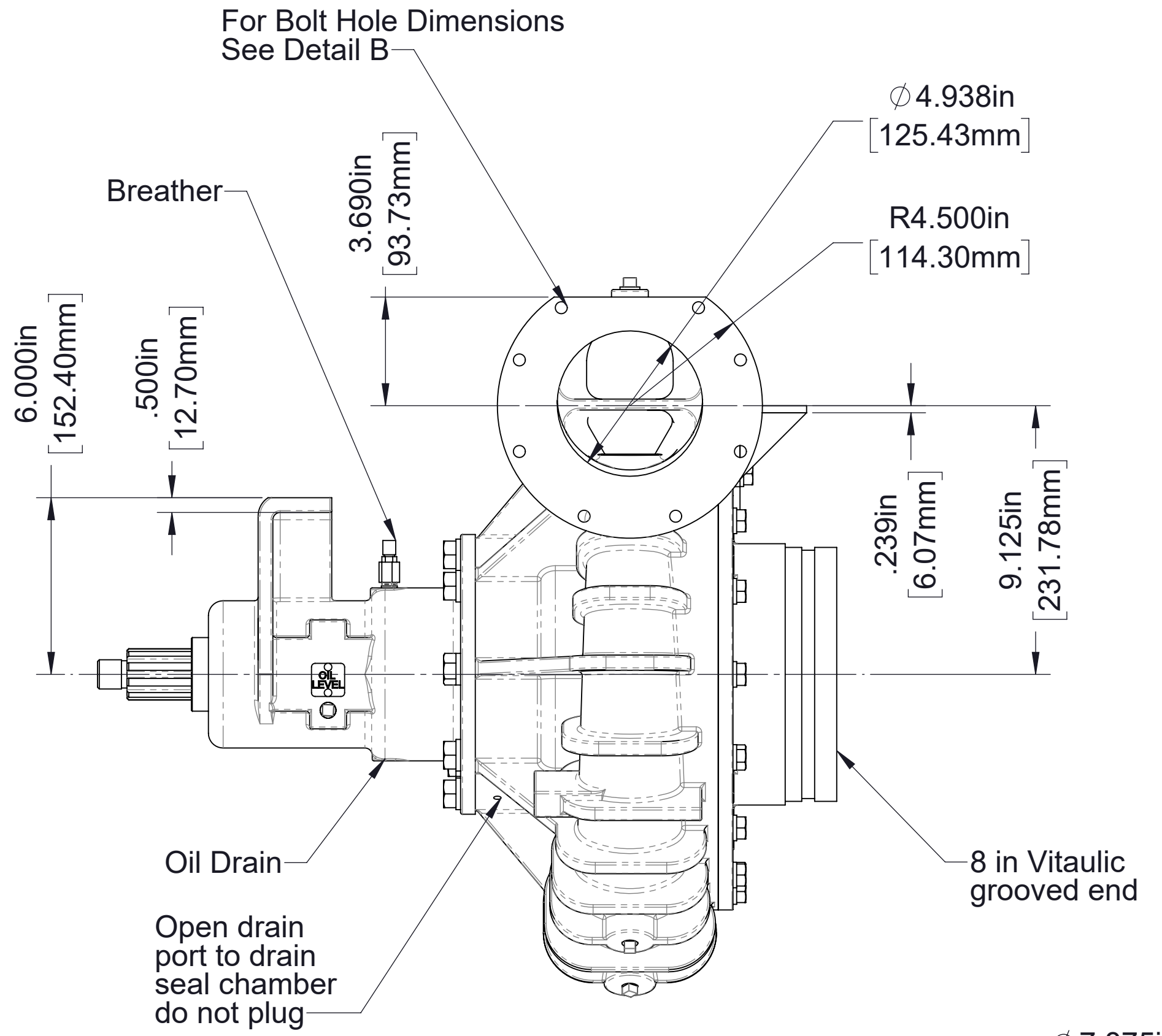




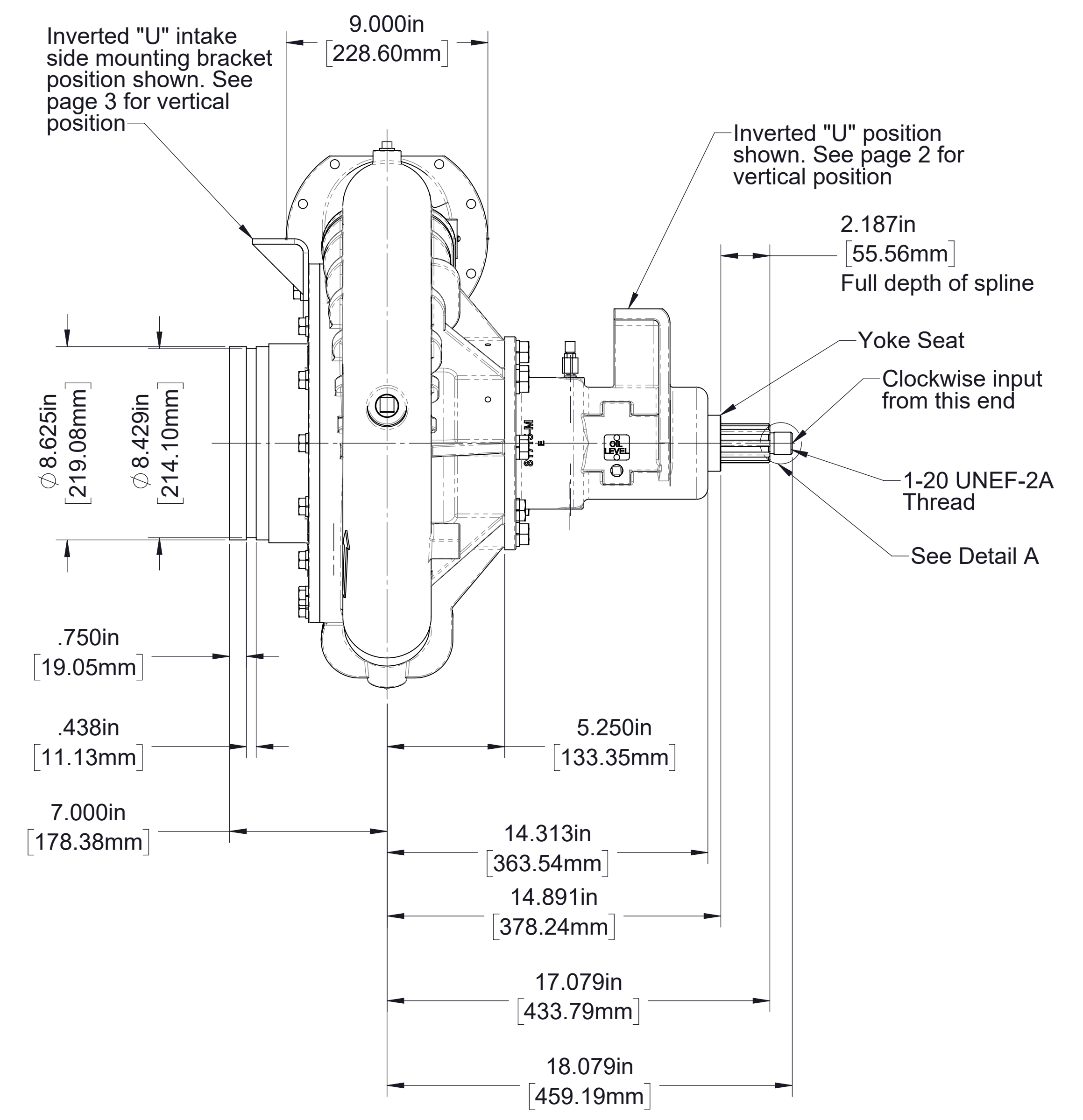
DETAIL B
 DISCHARGE FLANGE
 SEE PAGE 4 FOR OPTIONAL VICTAULIC ADAPTER

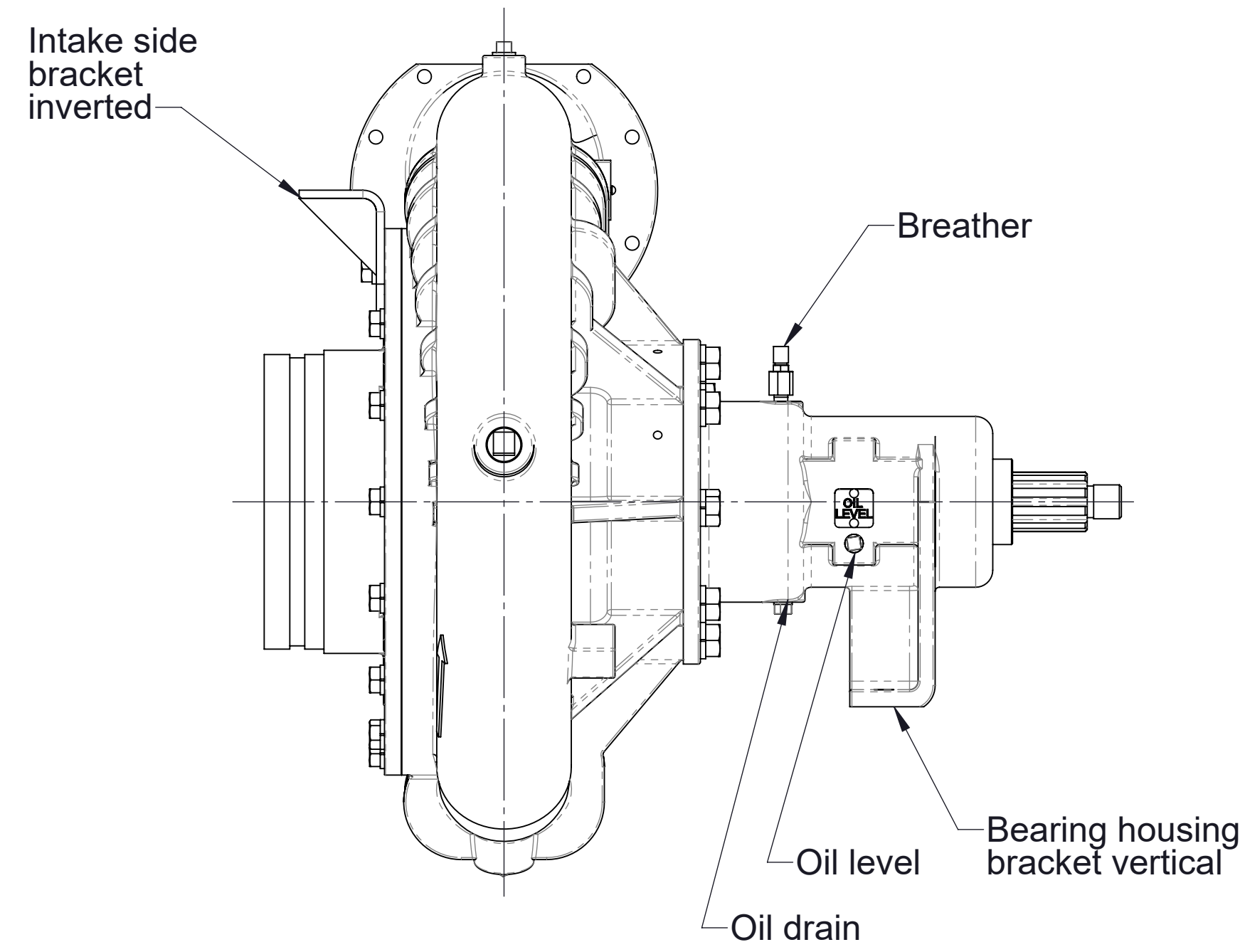


Detail A
 Yoke Nut and Washer Supplied With Pump

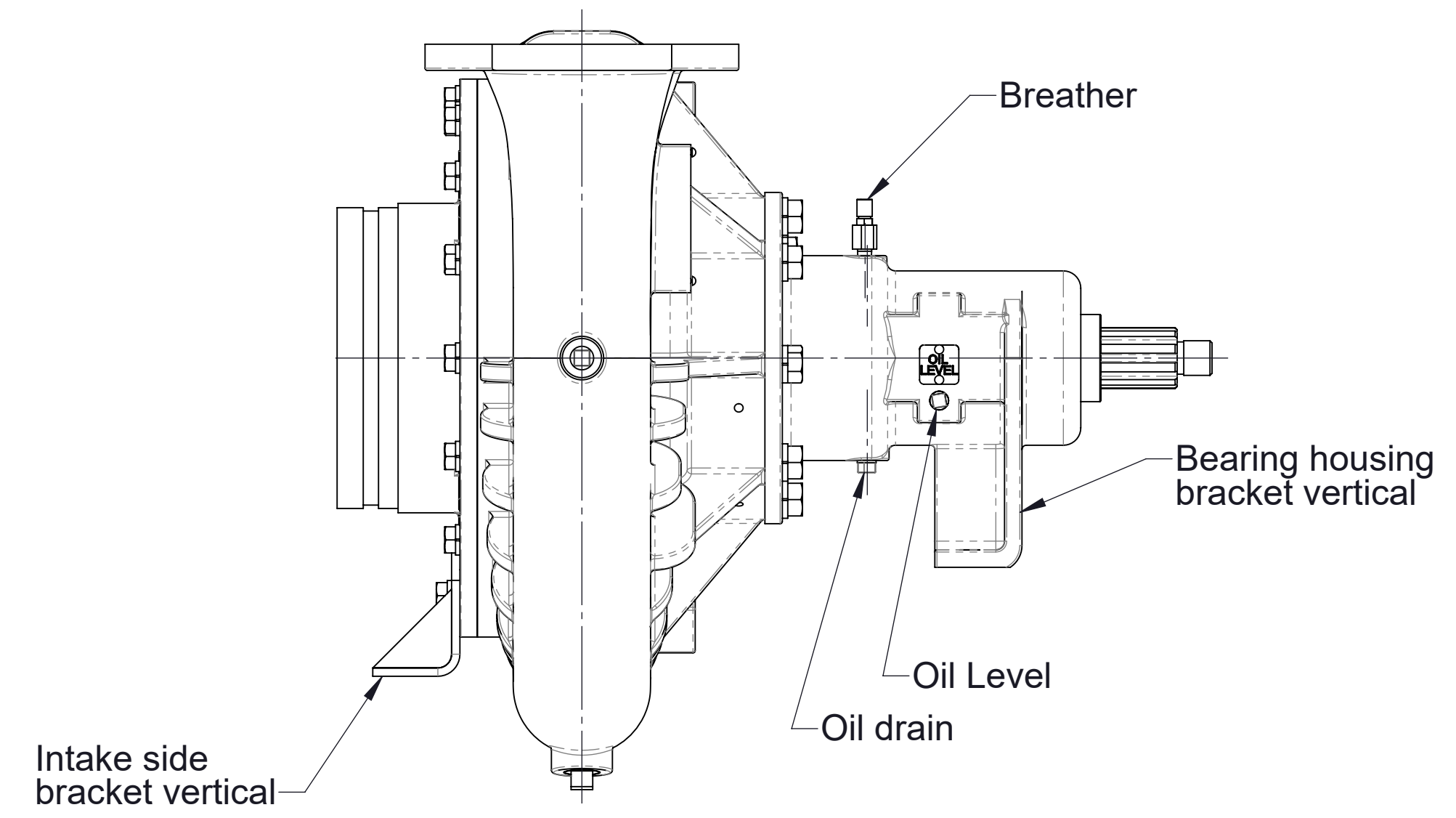


Basic Pump Dimensions
 Left Figure Number 2 Shown
 (See Pages 3 and 4 for optional Mounting Configurations)

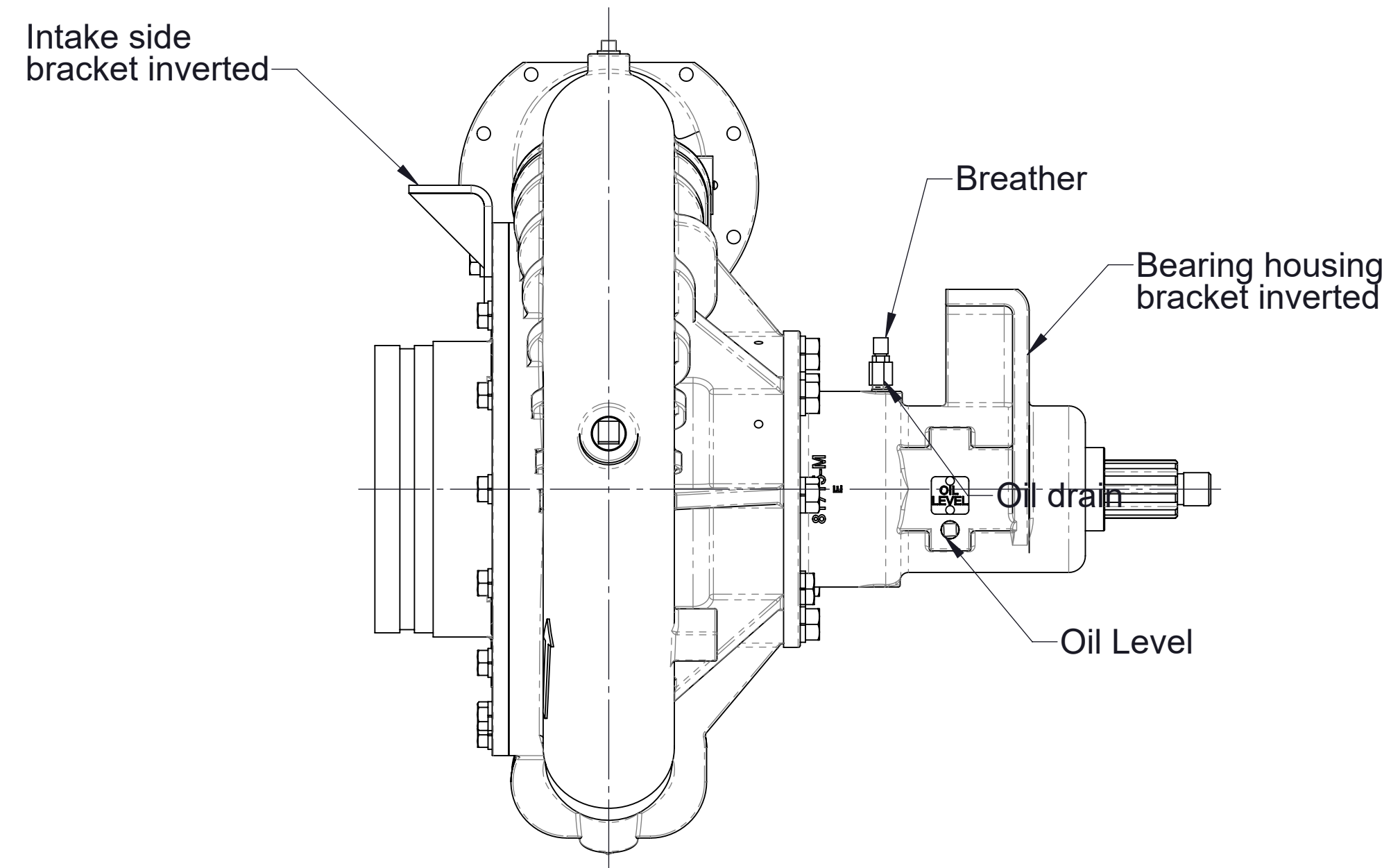




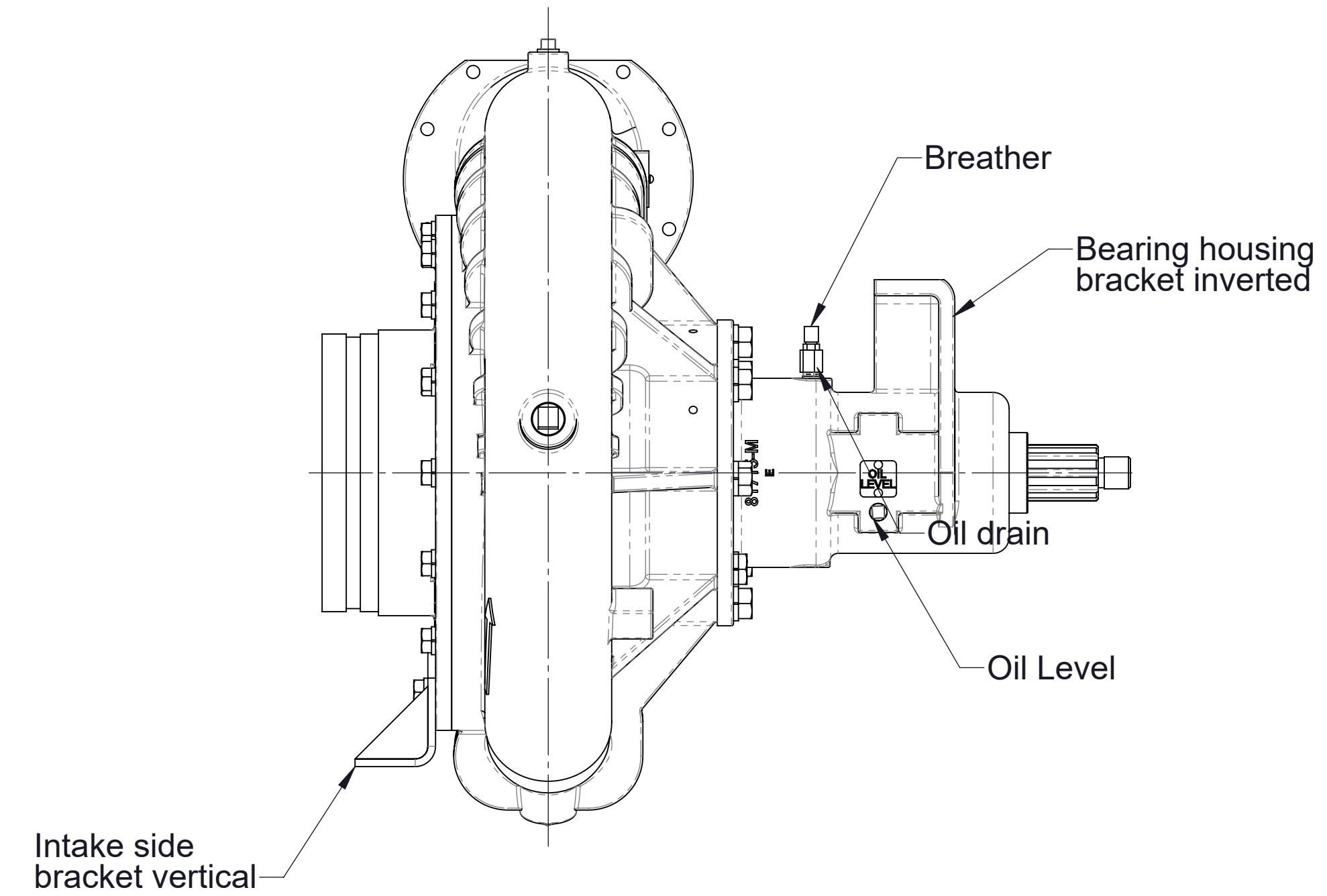
UV INVERTED / VERTICAL



VV VERTICAL / VERTICAL



UU INVERTED / INVERTED



VU VERTICAL / INVERTED

AVAILABLE MOUNTING BRACKET POSITIONS

Note: First letter identifies intake side bracket mounting
second letter identifies bearing housing bracket mounting

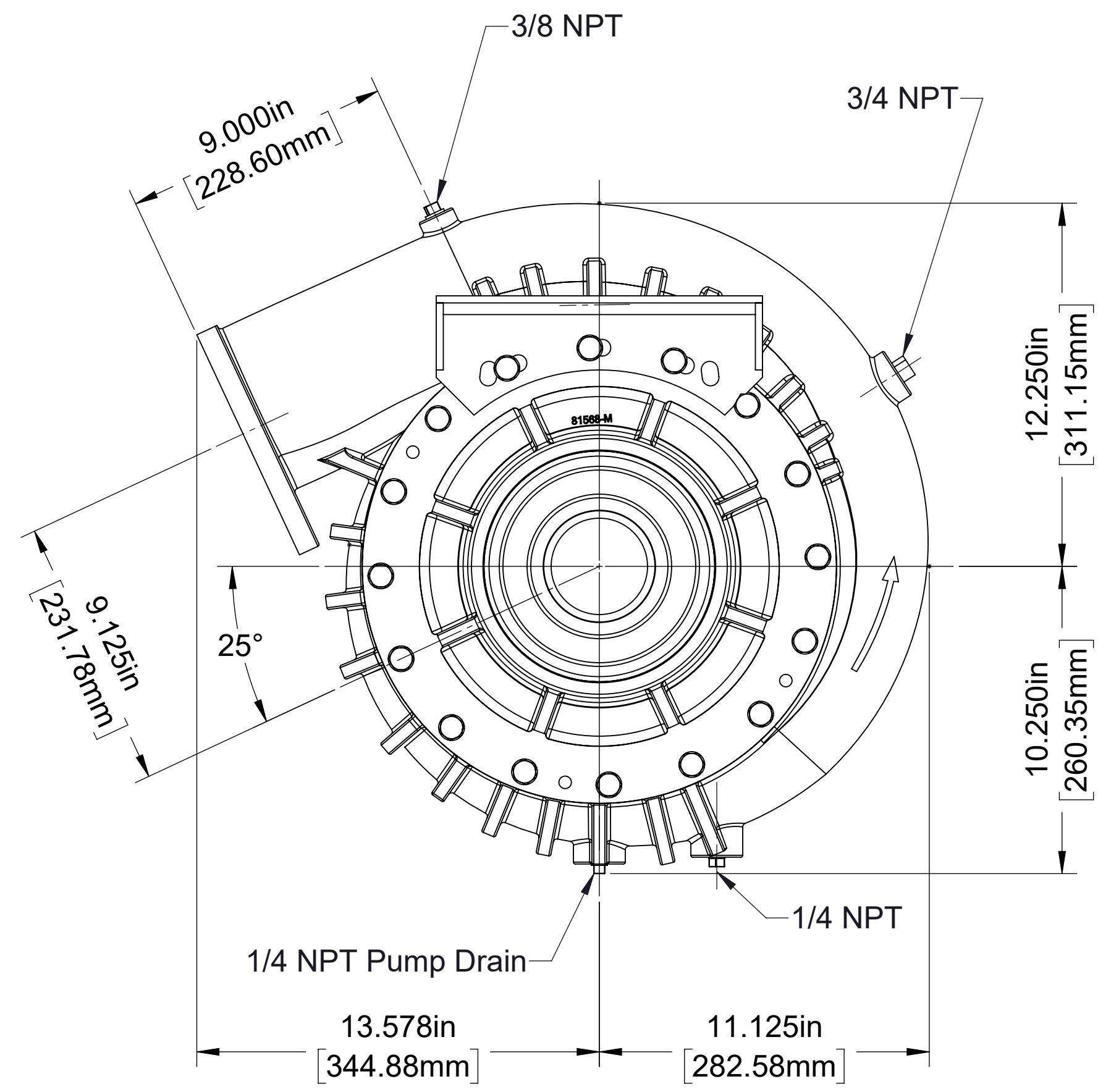


FIGURE 1
Left (25° Below Horizontal)
(Formerly Labeled 25° Below Horizontal)

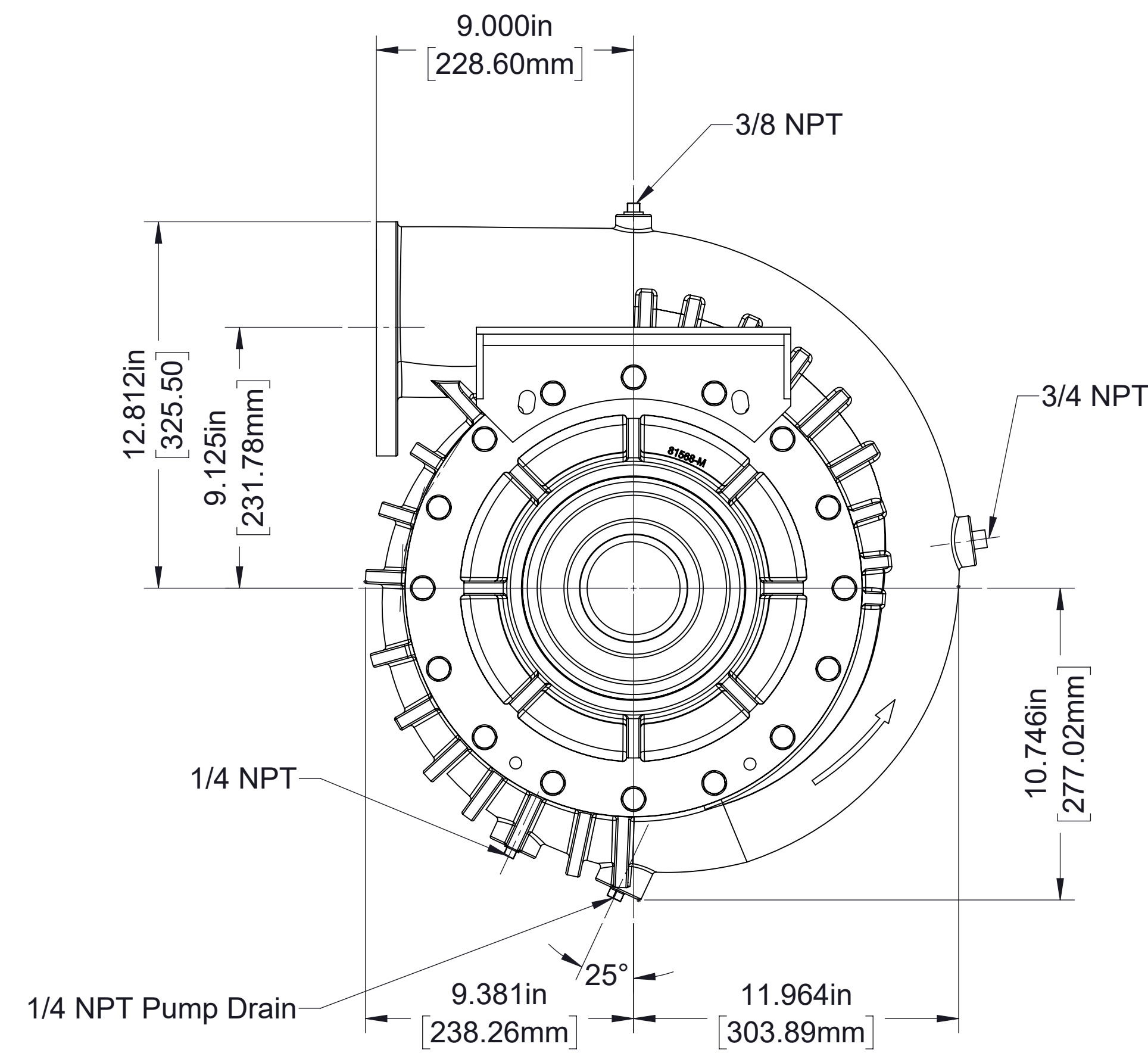
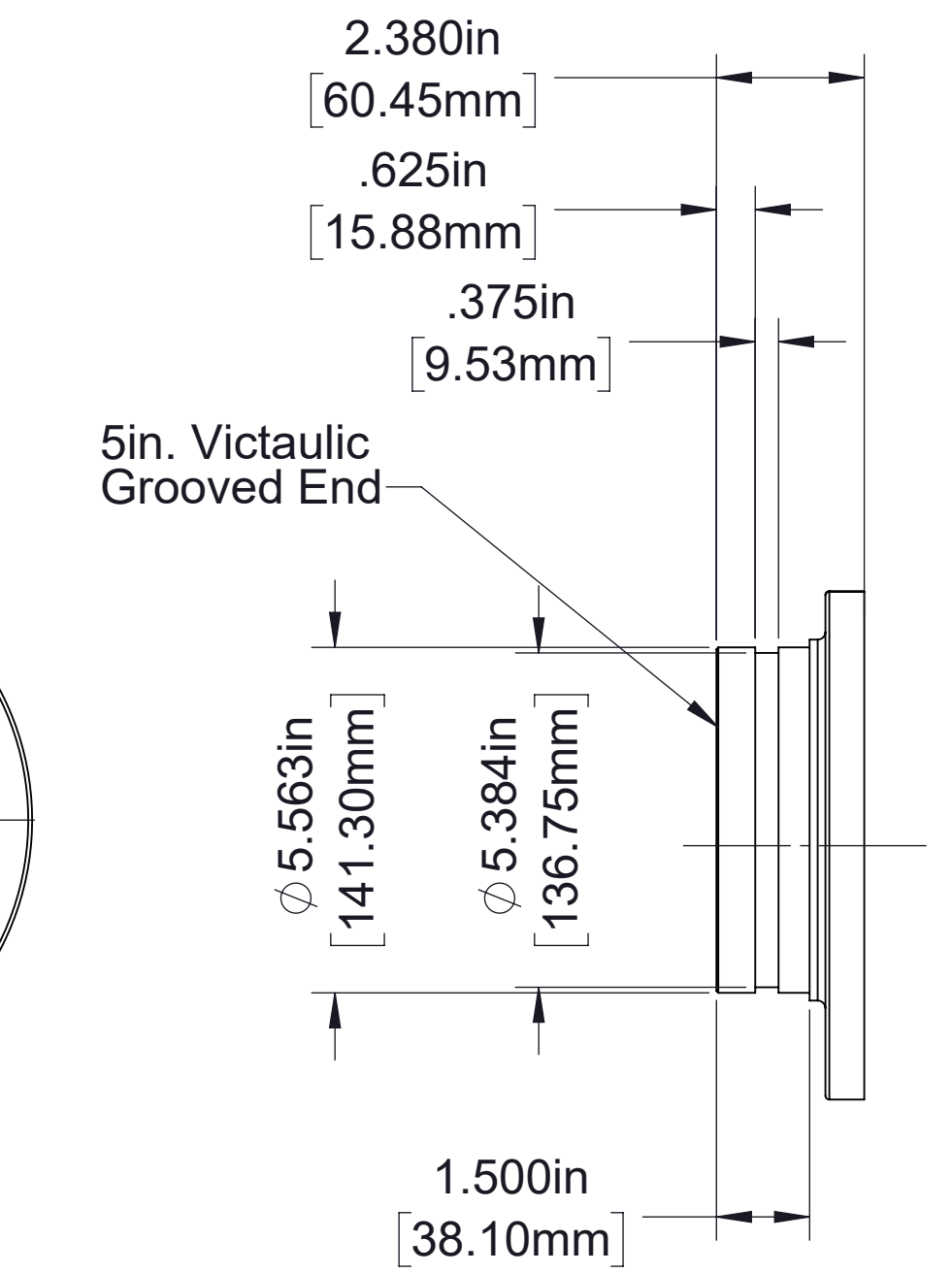
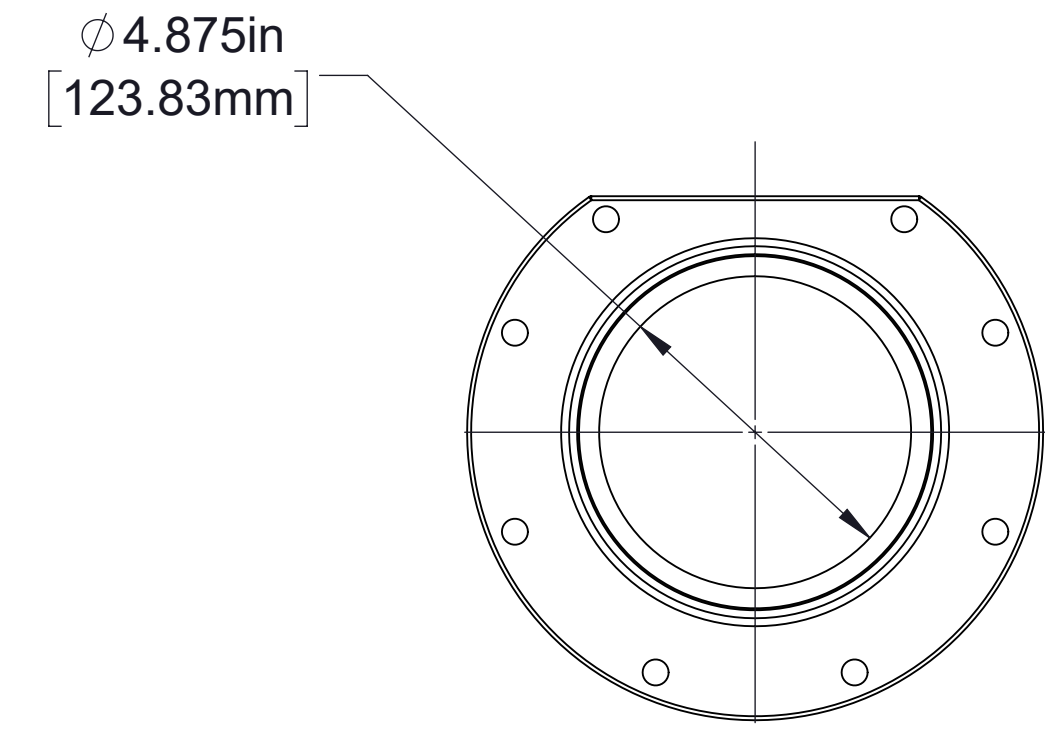


FIGURE 2
Left
(Formerly Labeled Horizontal)



Optional 5 in. Victaulic
Discharge Adapter

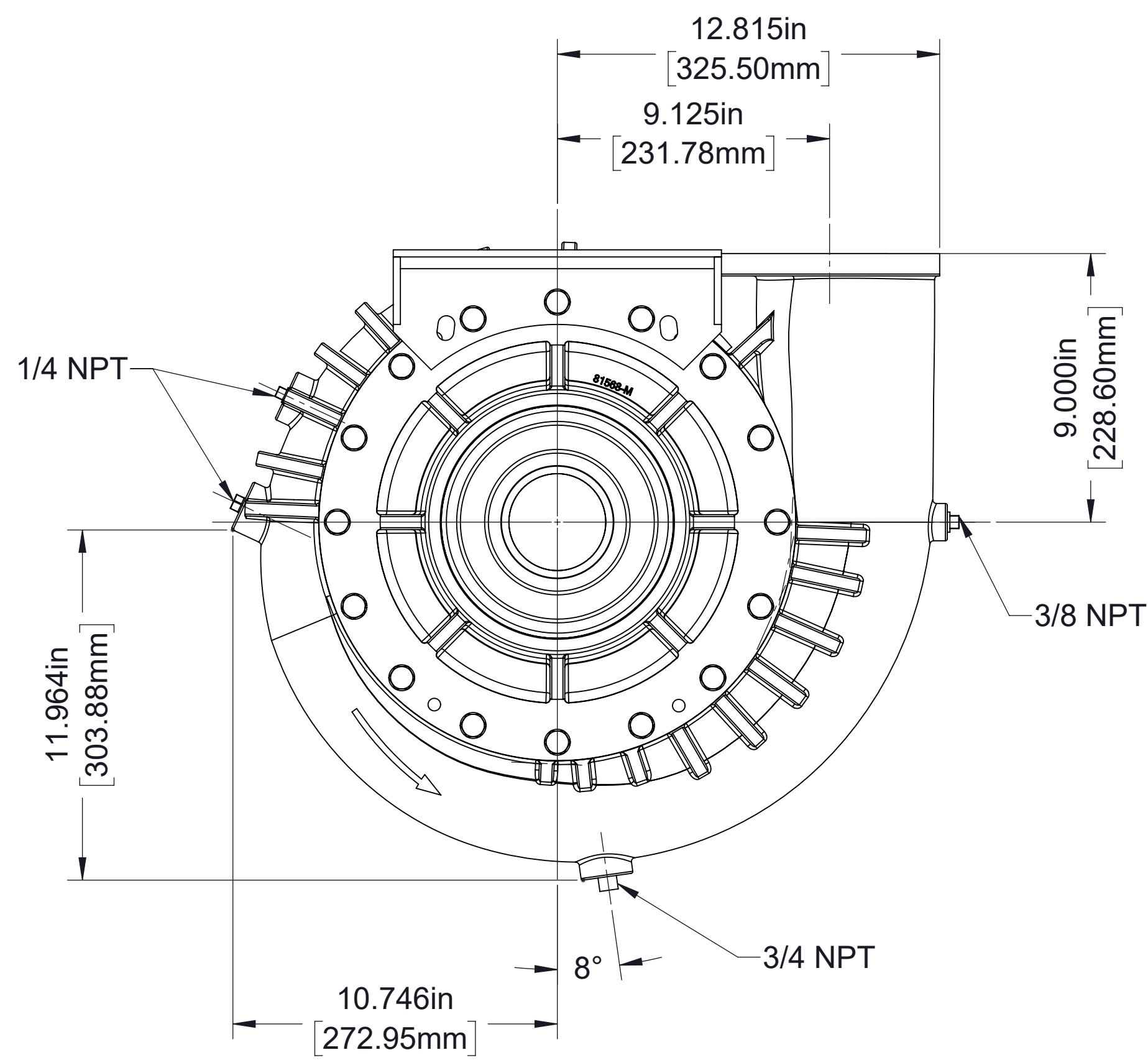


FIGURE 3
Up
(Formerly Labeled Vertical)

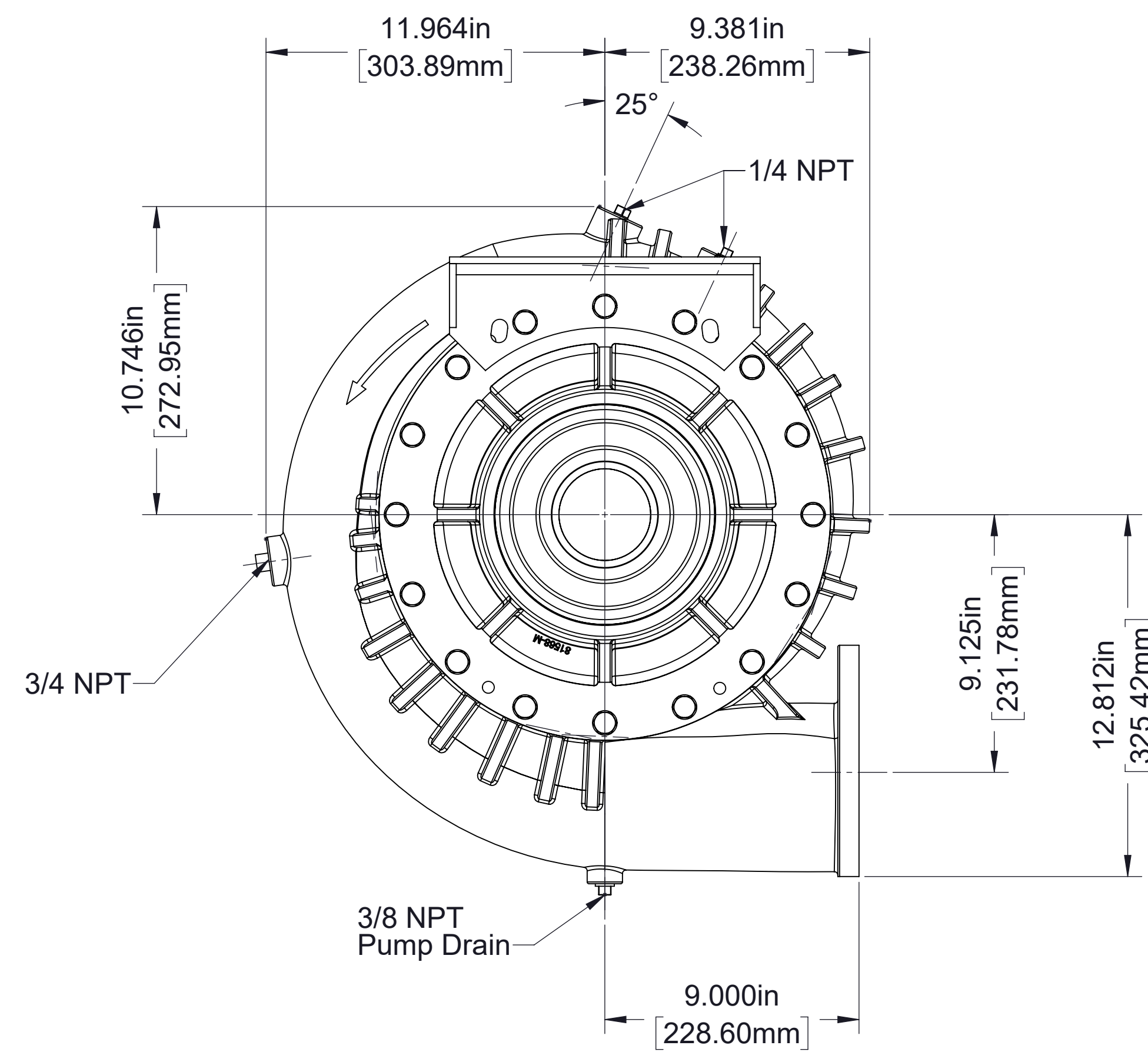


FIGURE 4
Right

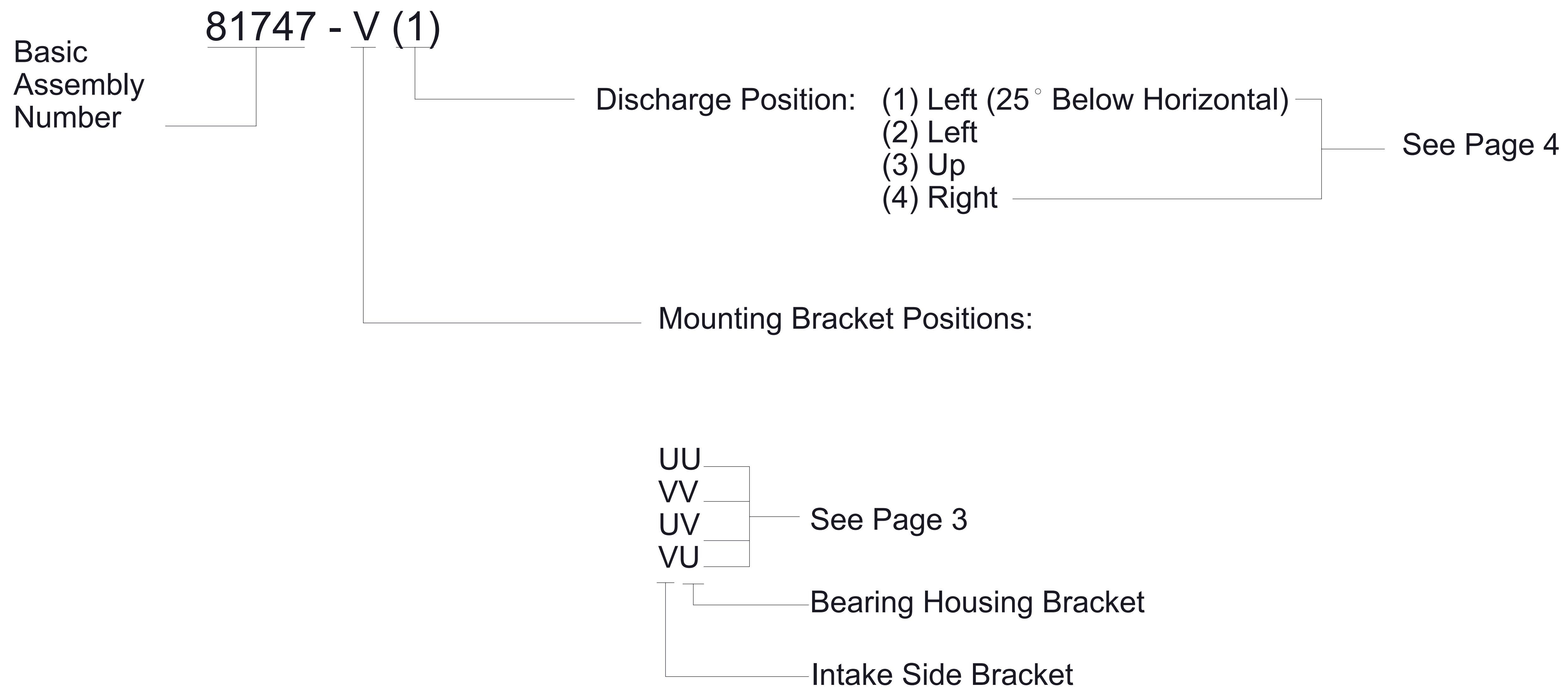
Available Discharge Positions Viewed From Intake Side (Note Clockwise Input Only Available)

Ordering Information:

When Ordering, Supply The Following Information:

1. Basic Assembly Number: 81747.

2. Suffixes Which Indicate Mounting Bracket Positions And Discharge Position:



Optional End Yokes and Companion Flanges

Input Shaft Spline	Optional End Yokes and Companion Flanges See DPL83861 for Dimensions		
	Type	Series	Part Number
1-3/4-10 SAE	End Yoke	1350/1410	V 3861-1
		1550	V 3077
		SPL 90	V 3761
	Companion Flange	1610	61320
		1480/1550	61319