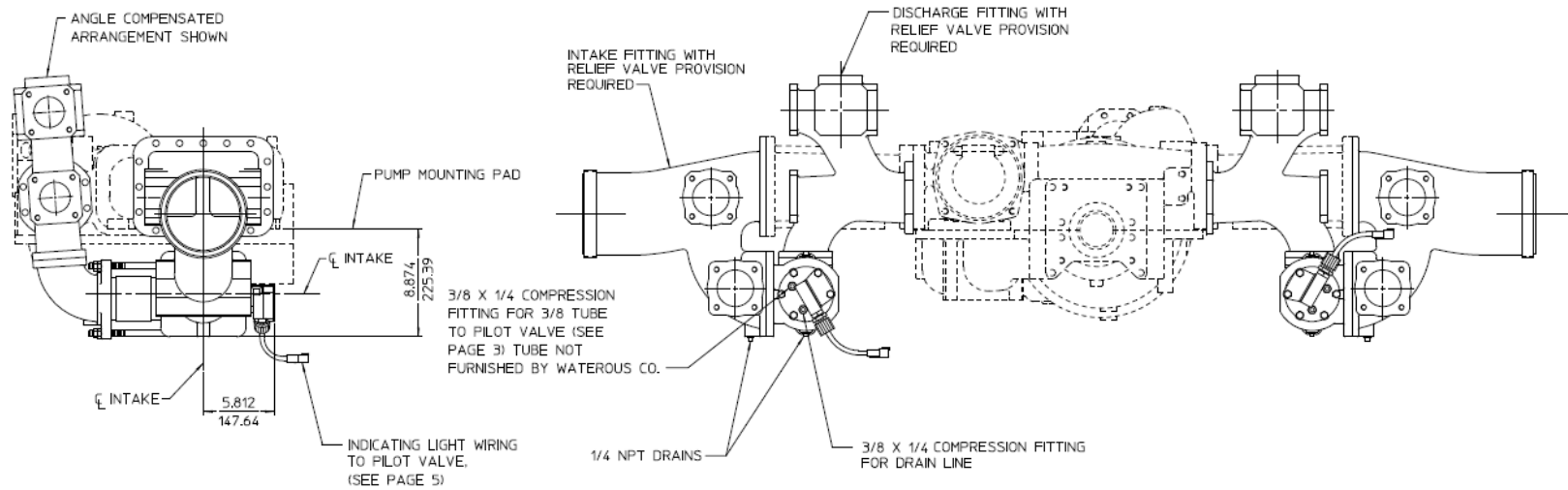
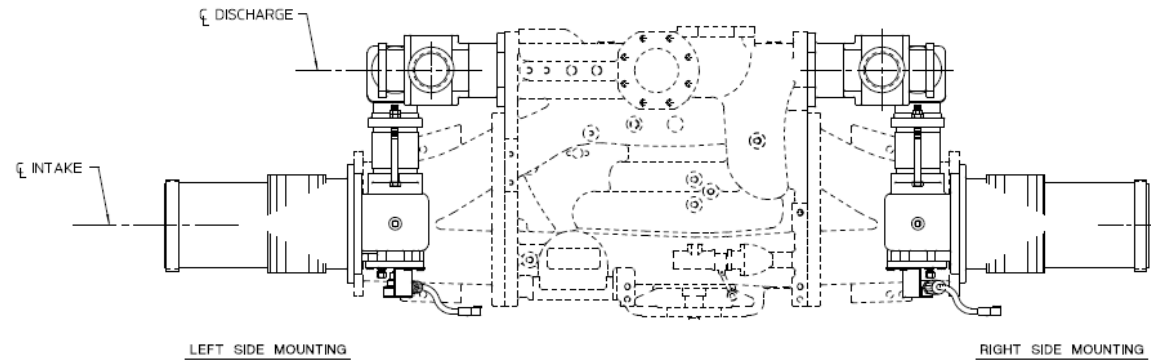


Dimensional Drawings for 4 Inch Discharge Relief Valves

Pump Model	Pump Material	Valve Mounting	See Page
CM, CMH, CS, CSH	Iron	On Pump	2
CMU, CMUH, CSU, CSUH	Iron or Bronze	On Pump	2
CMU, CMUH, CSU, CSUH, S100, CR, CZU, CH-4	Iron or Bronze	Separately Mounted	3, 4
All	-	Pilot Valves	5, 6

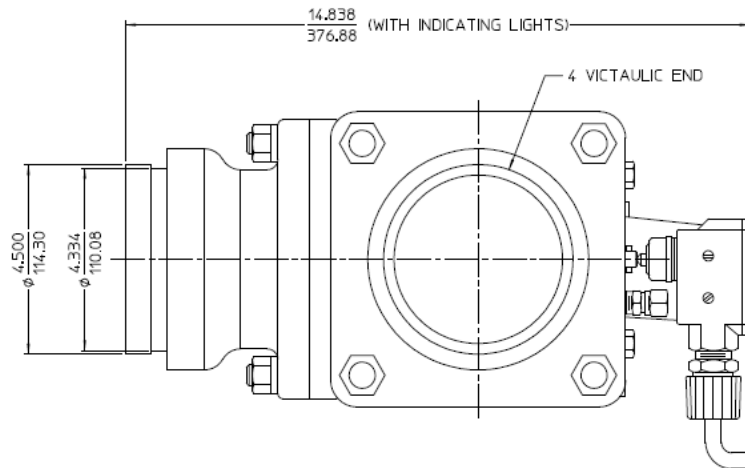
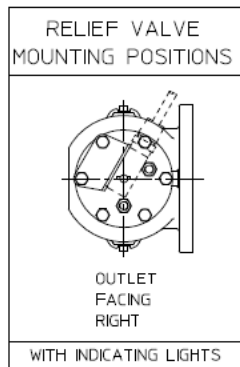
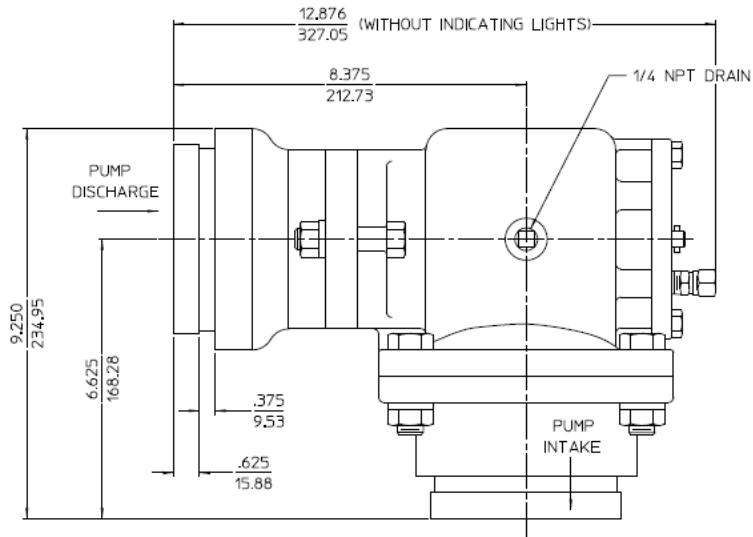
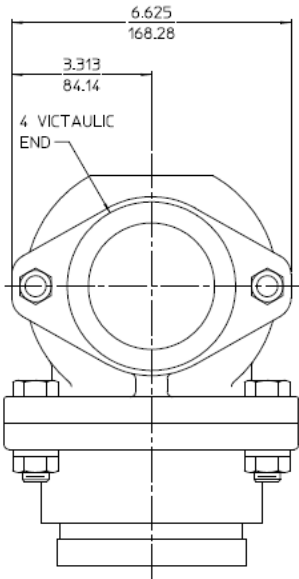


NOTES:

1. LEFT SIDE MOUNTING NOT AVAILABLE ON ECLIPSE PUMPS DUE TO INTERFERENCE WITH COMPRESSOR OIL COOLER.
2. PUMP MOUNTED RELIEF VALVE NOT AVAILABLE ON ECLIPSE PUMPS WITH A LEFT SIDE MANIFOLD DISCHARGE AND A 71600-8A, 81588-7A OR 82325-1 DISCHARGE FITTING MOUNTED ON THE RIGHT SIDE PUMP DISCHARGE FLANGE.

CM, CMH, CMU, CMUH, CS, CSH, CSU, CSUH SERIES PUMPS
4 INCH PUMP MOUNTED RELIEF VALVE

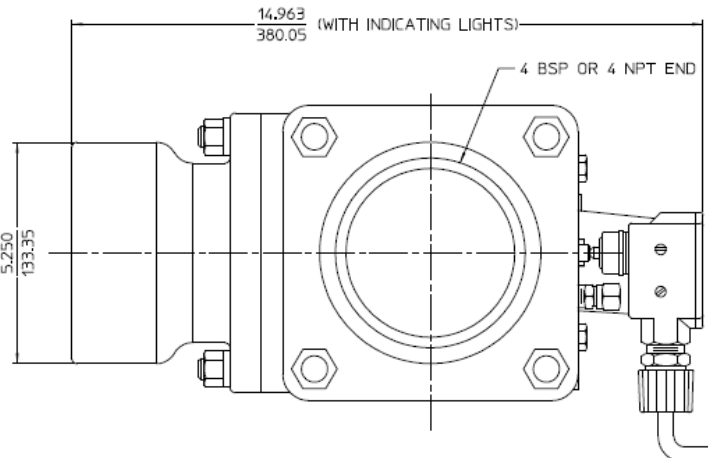
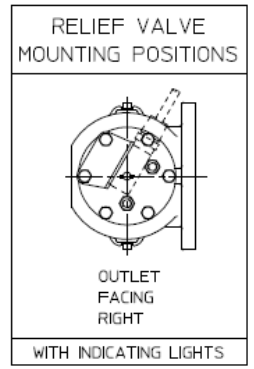
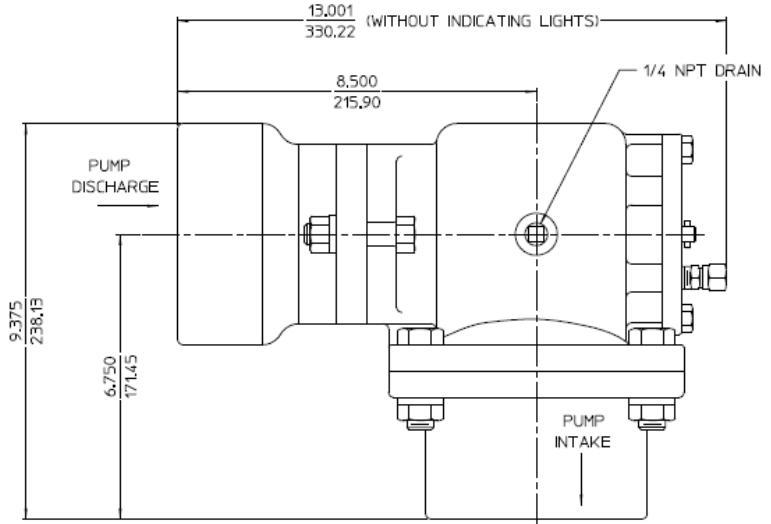
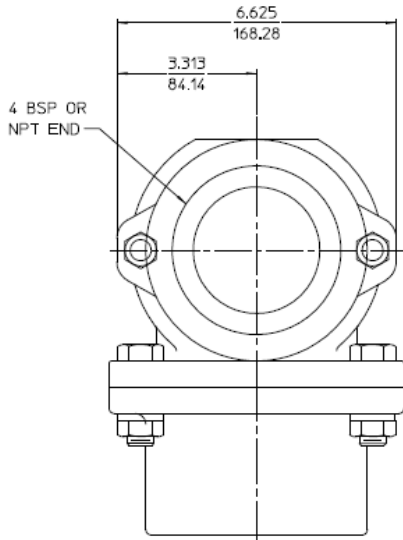
ALL DIMENSIONS SHOWN AS INCH/MILLIMETER
($\frac{\text{INCH}}{\text{MILLIMETER}}$)



ALL DIMENSIONS SHOWN
AS INCH/MILLIMETER
(INCH)
(MILLIMETER)

INDICATING LIGHT WIRING
TO PILOT VALVE
(SEE PAGE 5)

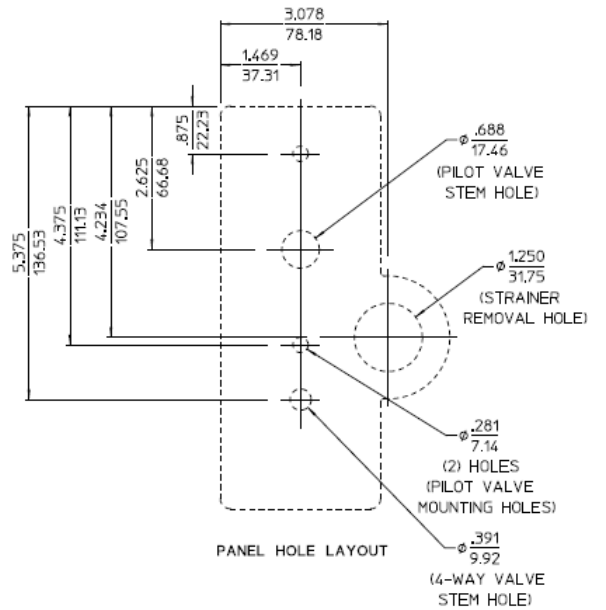
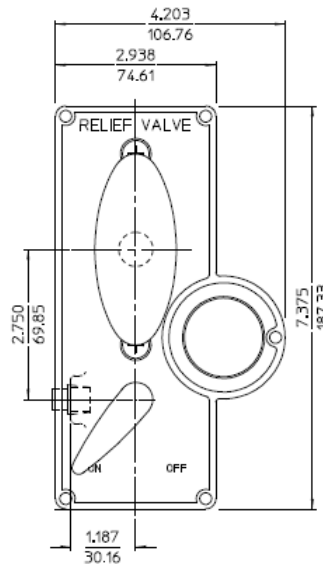
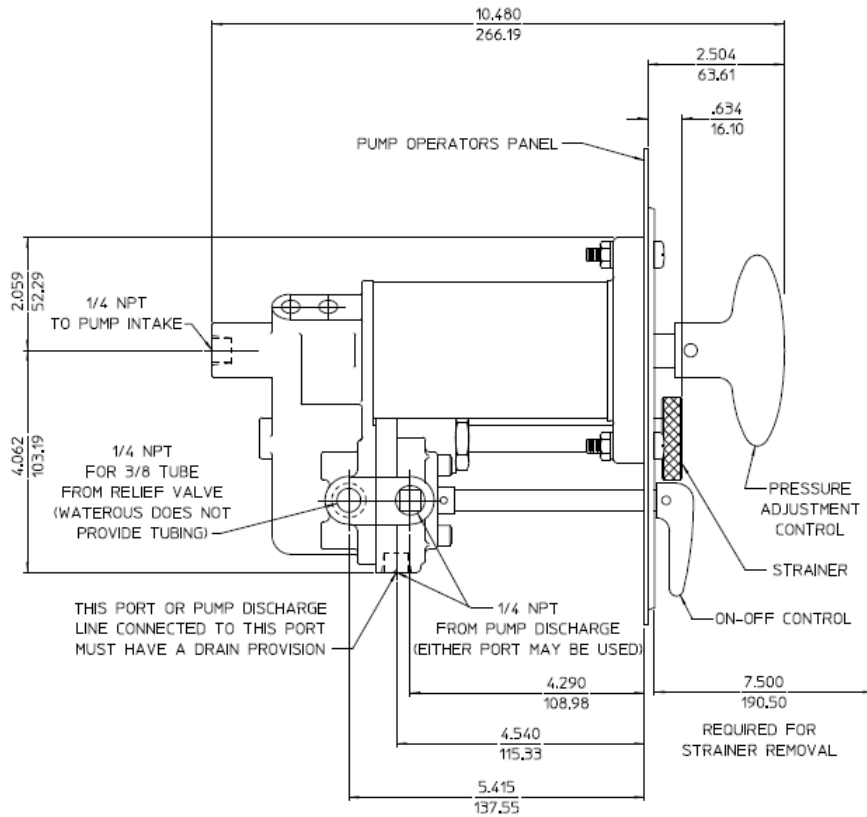
**4 INCH SEPARATELY MOUNTED RELIEF VALVE
WITH 4 INCH VICTAULIC CONNECTIONS**



ALL DIMENSIONS SHOWN
AS INCH/MILLIMETER
(INCH)
(MILLIMETER)

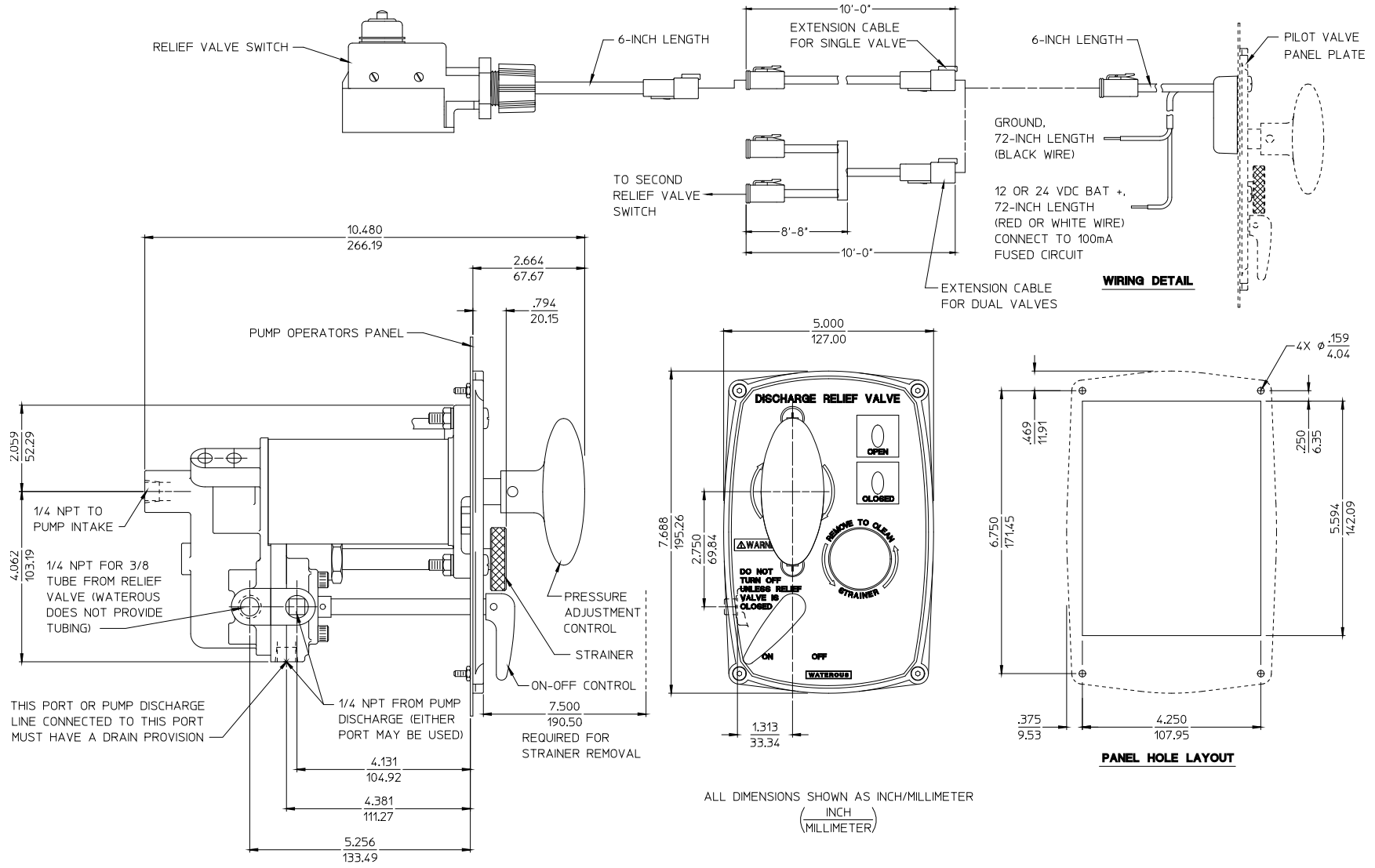
INDICATING LIGHT WIRING
TO PILOT VALVE
(SEE PAGE 5)

**4 INCH SEPARATELY MOUNTED RELIEF VALVE
WITH 4 INCH BSP OR NPT CONNECTIONS**



ALL DIMENSIONS SHOWN AS INCH/MILLIMETER
($\frac{\text{INCH}}{\text{MILLIMETER}}$)

PILOT VALVE WITHOUT INDICATING LIGHTS



PILOT VALVE WITH INDICATING LIGHTS