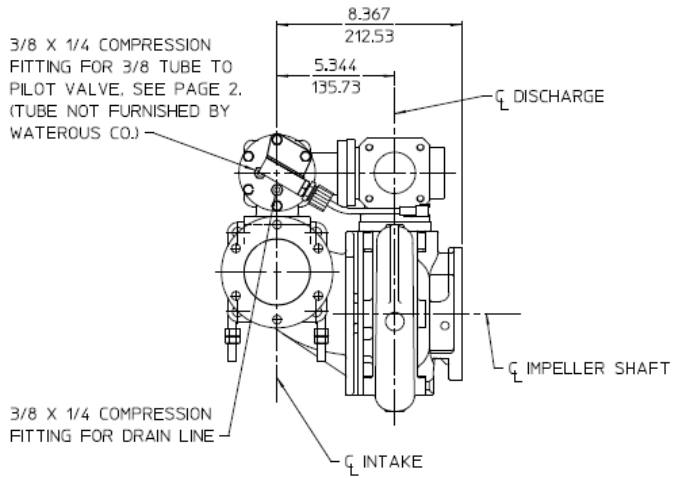




Document Number <b>DPL82084</b>	Issue Date <b>01/11/96</b>	Rev. Date <b>10/22/15</b>
------------------------------------	-------------------------------	------------------------------

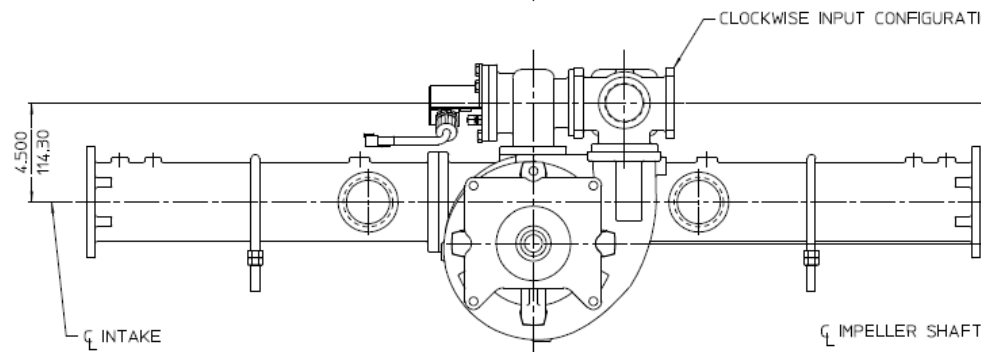
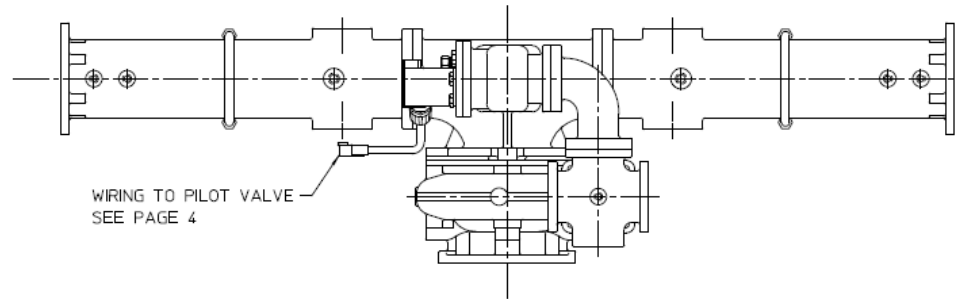
### Dimensional Drawings for 2 Inch Discharge Relief Valves

<b>Pump Model</b>	<b>Valve Mounting</b>	<b>See Page</b>
CLS	On Pump	1
All	Separately	2
All	Pilot Valves	3, 4

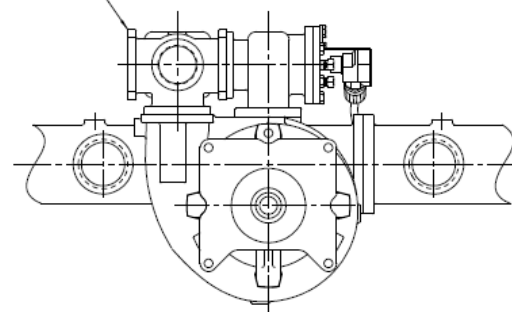


ALL DIMENSIONS SHOWN AS INCH/MILLIMETER

( INCH / MILLIMETER )

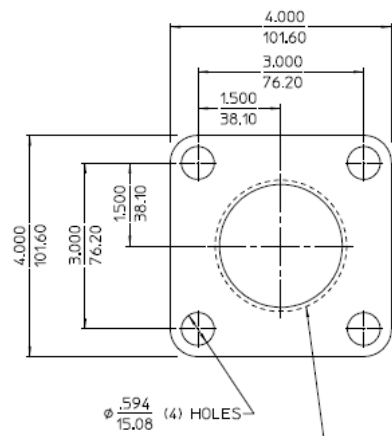


COUNTER CLOCKWISE  
INPUT CONFIGURATION



**PUMP MODELS CLSK, CLSPA & CLSWB, NORMAL DROP (NO ELBOW)**

(2 INCH SEPARATELY MOUNTED RELIEF VALVE IS ALSO AVAILABLE. SEE PAGE 2)

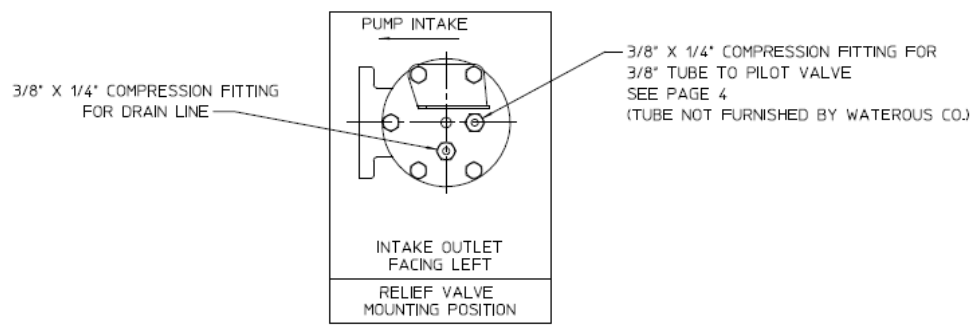
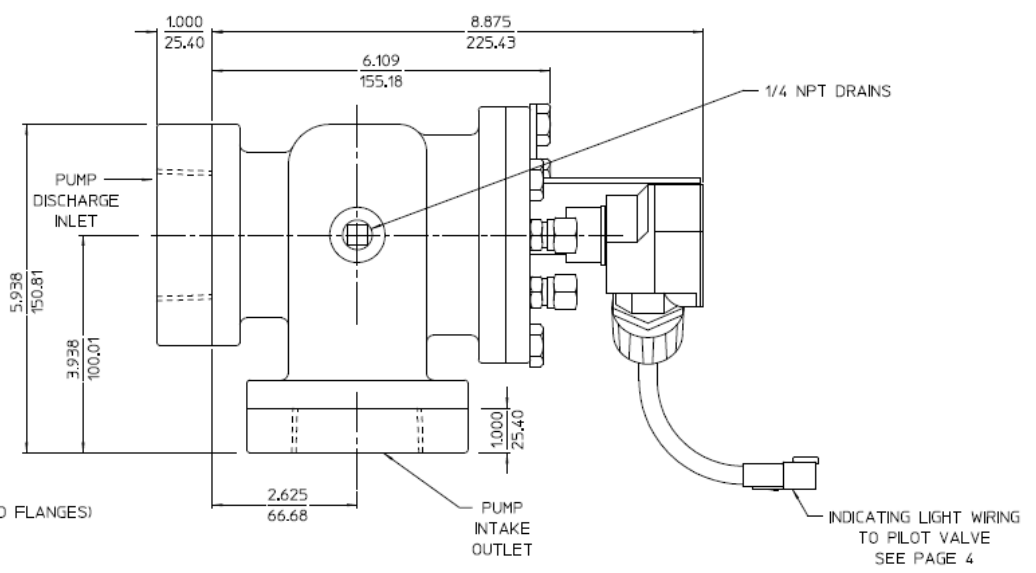


Ø .594 (4) HOLES

AVAILABLE FLANGE OPTIONS

- 2 INCH NPT TAP (BOTH INTAKE AND DISCHARGE ENDS)
- 2-1/2 INCH NPT TAP (BOTH INTAKE AND DISCHARGE ENDS)

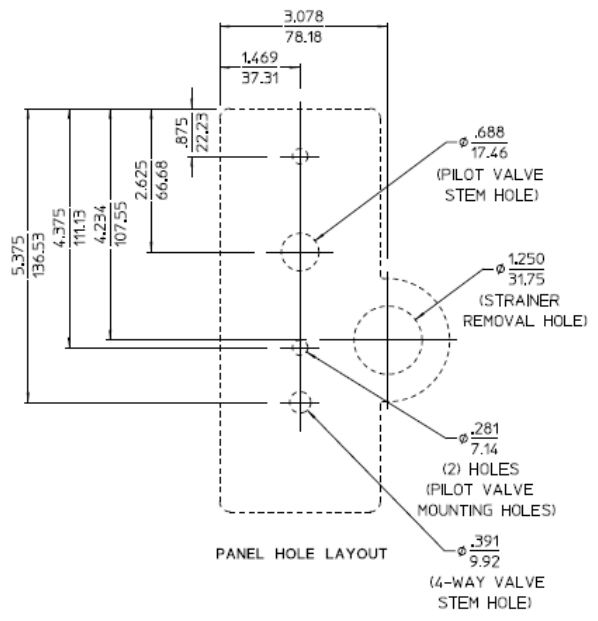
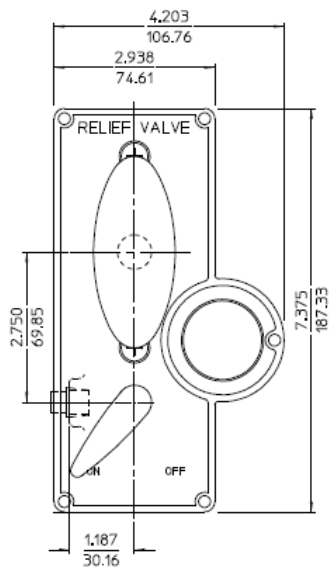
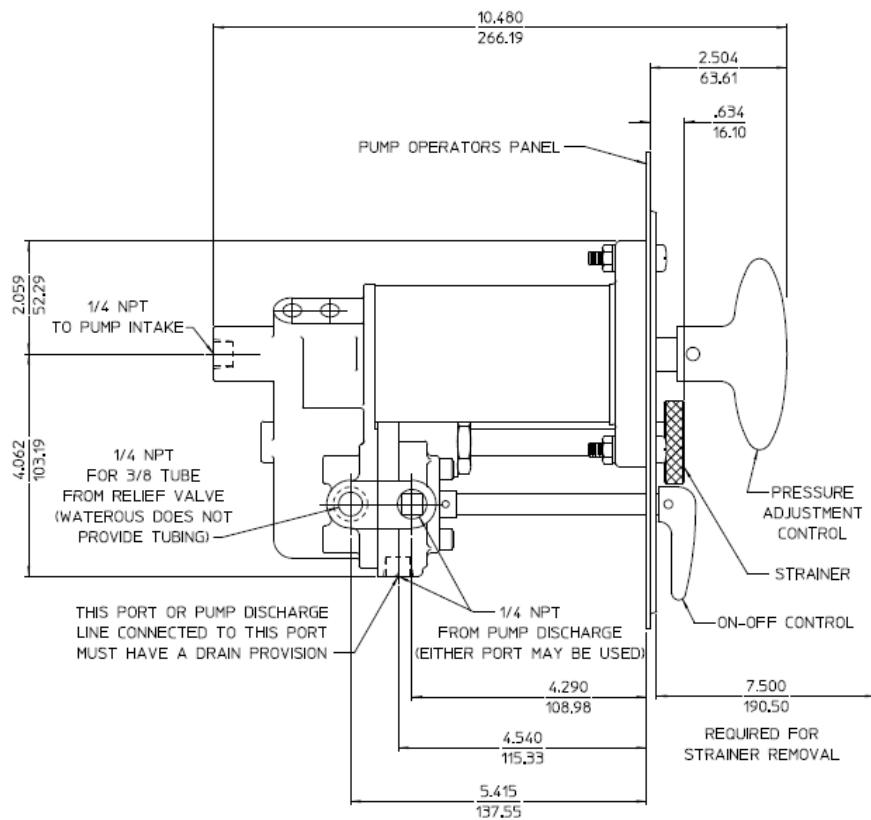
NO FLANGES (MOUNT DIRECTLY TO RELIEF VALVE OR CUSTOMER PROVIDED FLANGES)



ALL DIMENSIONS SHOWN AS INCH/MILLIMETER  
( INCH )  
( MILLIMETER )

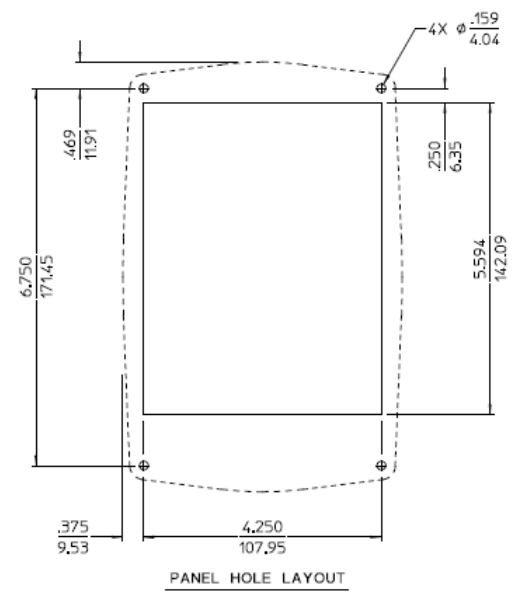
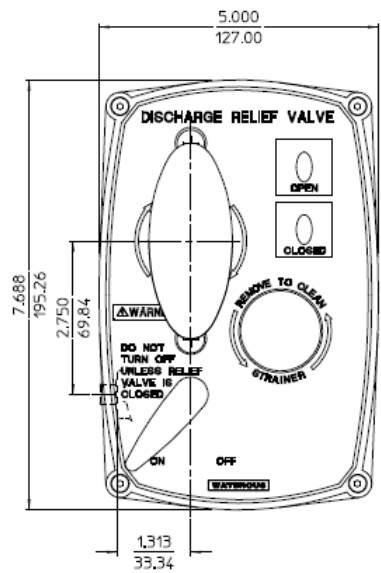
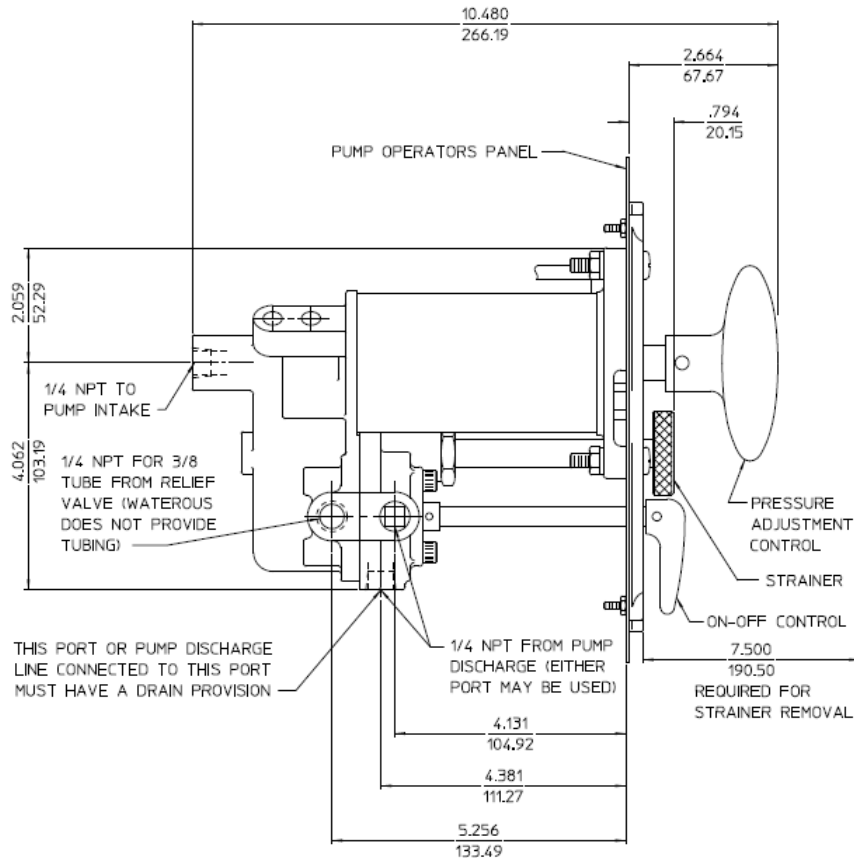
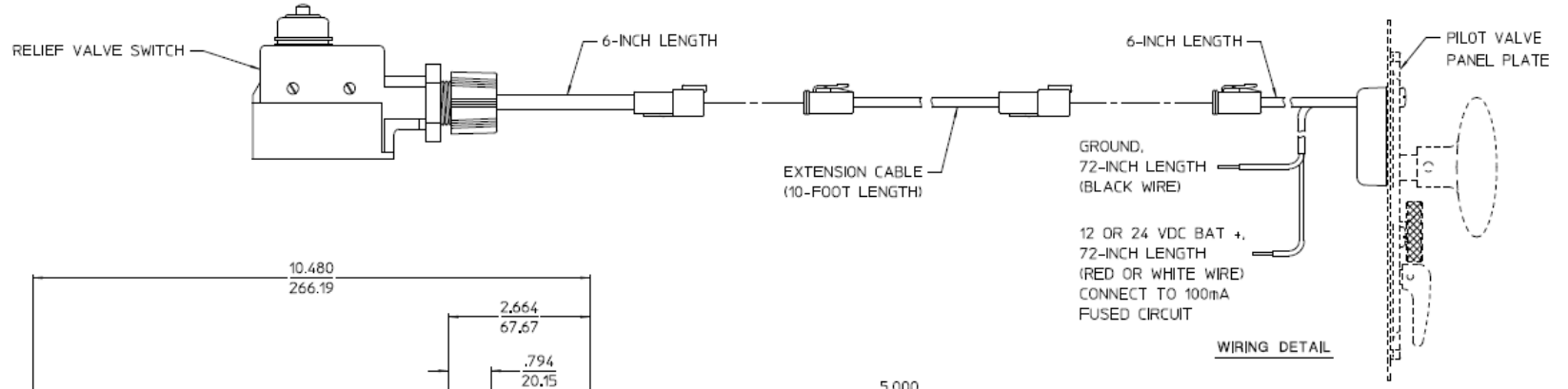
NOTE: CUSTOMER TO FURNISH 3/8 TUBING TO PILOT VALVE AND FURNISH PIPING FROM PUMP DISCHARGE AND TO PUMP INTAKE.

**2 INCH SEPARATELY MOUNTED RELIEF VALVE**  
AVAILABLE FOR THE FOLLOWING PUMP MODELS: CGV, CGVR, CGVN, CGVG, CLV, CLR, CLS, CP2, CP3-5, CP4



ALL DIMENSIONS SHOWN AS INCH/MILLIMETER  
 (INCH)  
 (MILLIMETER)

PILOT VALVE WITHOUT INDICATING LIGHTS



ALL DIMENSIONS SHOWN AS INCH/MILLIMETER  
(INCH / MILLIMETER)

PILOT VALVE WITH INDICATING LIGHTS