



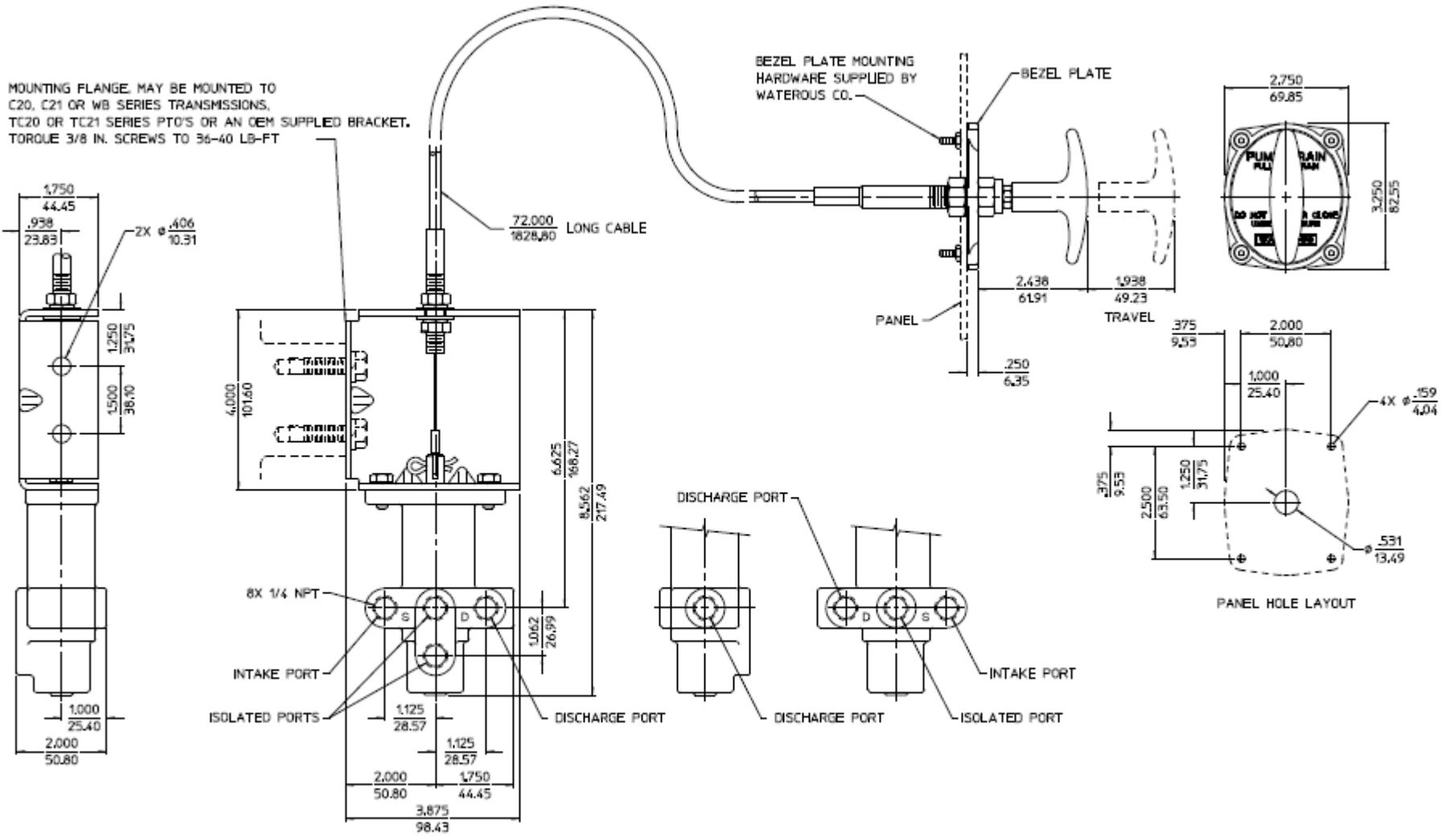
Document Number	Issue Date	Rev. Date
DPL 82087	04/25/96	7/27/15

Dimensional Drawings for Drain Valves

Index:

Valve Type	See Page
Cable Operated Remote Mounted	2
Panel Mounted	3

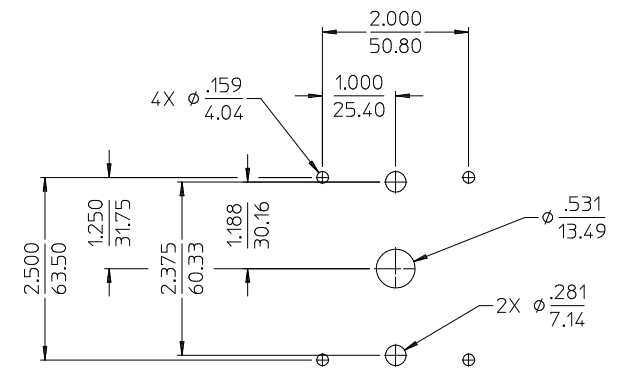
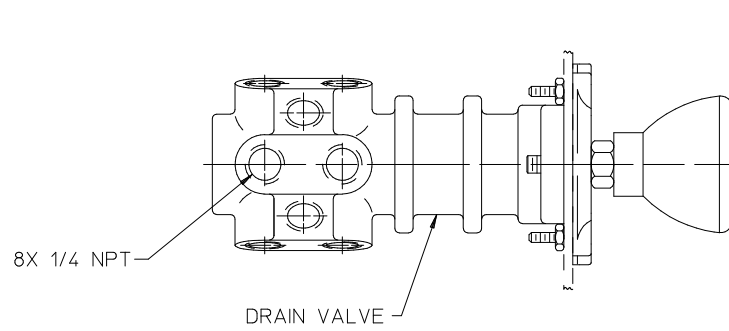
MOUNTING FLANGE MAY BE MOUNTED TO C20, C21 OR WB SERIES TRANSMISSIONS, TC20 OR TC21 SERIES PTO'S OR AN OEM SUPPLIED BRACKET. TORQUE 3/8 IN. SCREWS TO 36-40 LB-FT



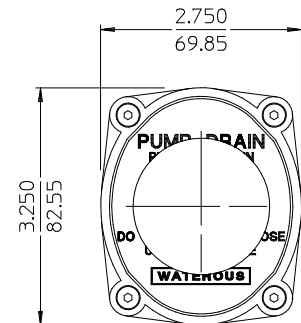
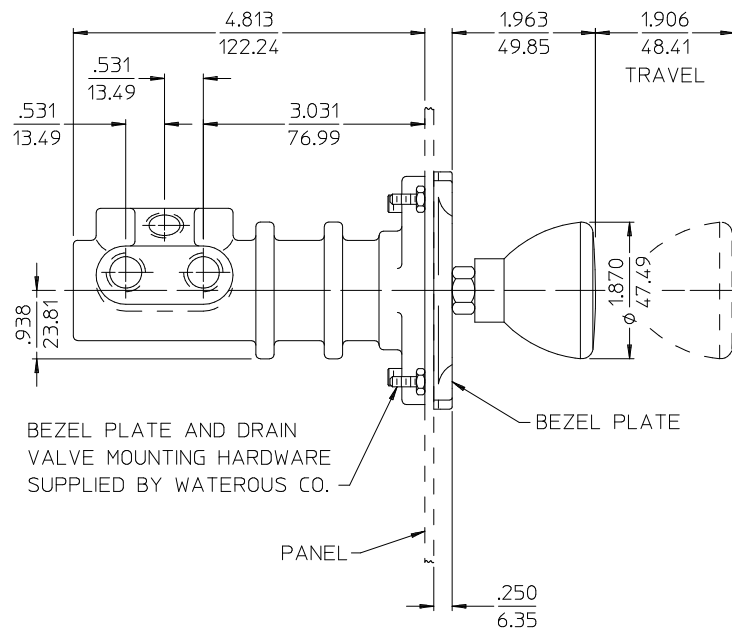
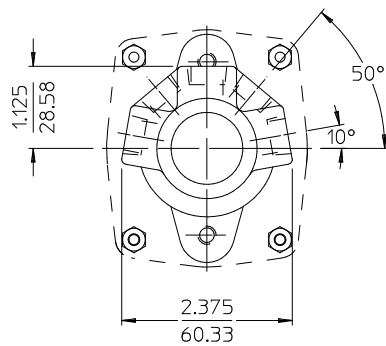
ALL DIMENSIONS SHOWN AS INCH/MILLMETER
(INCH / MILLIMETER)

CABLE OPERATED
(TRANSMISSION OR SEPERATE MOUNTING)

DRAIN VALVES
DPL82087
WATEROUS COMPANY
SOUTH ST. PAUL, MN 55075
PAGE 2 OF 3



PANEL HOLE LAYOUT



PANEL MOUNTED

NOTE:
DRAIN LINES MAY BE CONNECTED TO (8) 1/4 NPT PORTS IN ANY MANNER. THERE ARE NO SPECIFIC INTAKE, DISCHARGE OR ISOLATED PORTS.

ALL DIMENSIONS SHOWN AS INCH/MILLIMETER
(INCH / MILLIMETER)

DRAIN VALVES
DPL82087
WATEROUS COMPANY
SOUTH ST. PAUL, MN 55075
PAGE 3 OF 3