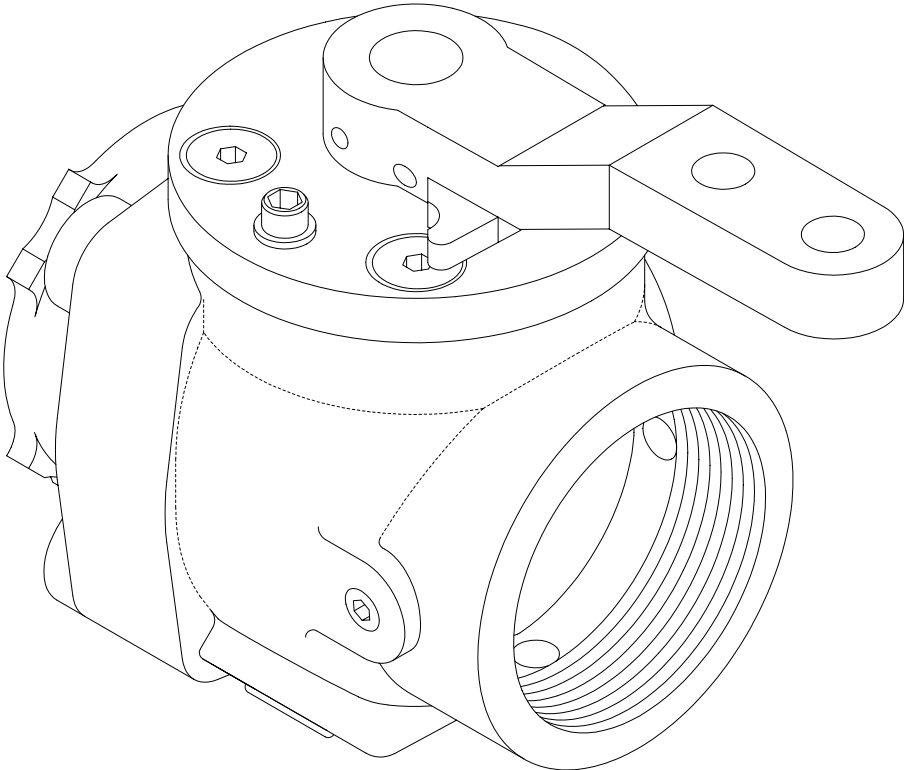
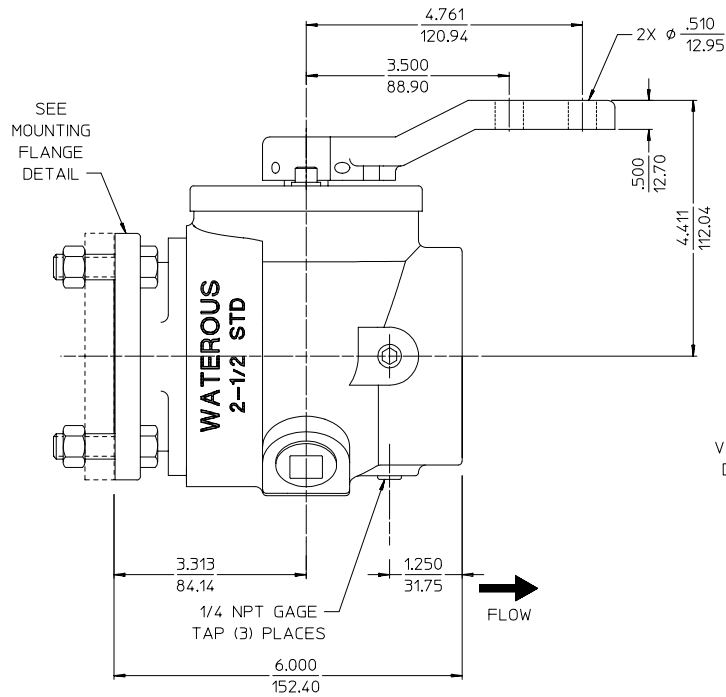
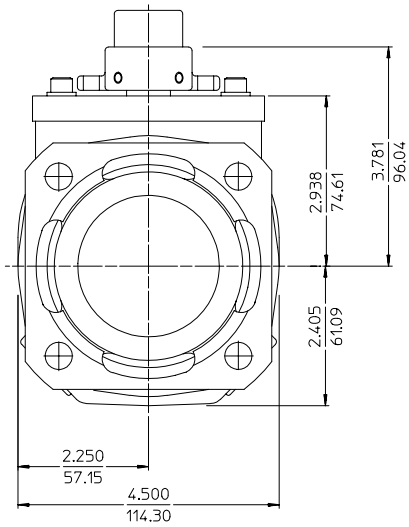
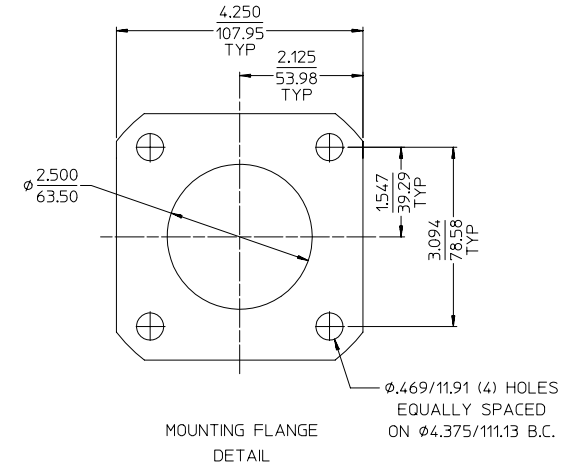
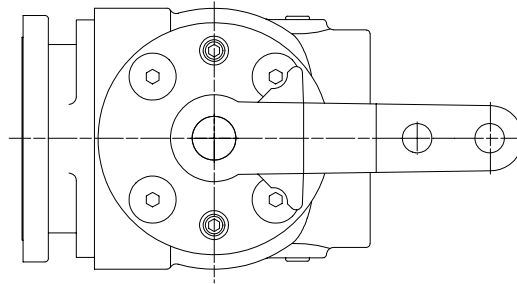


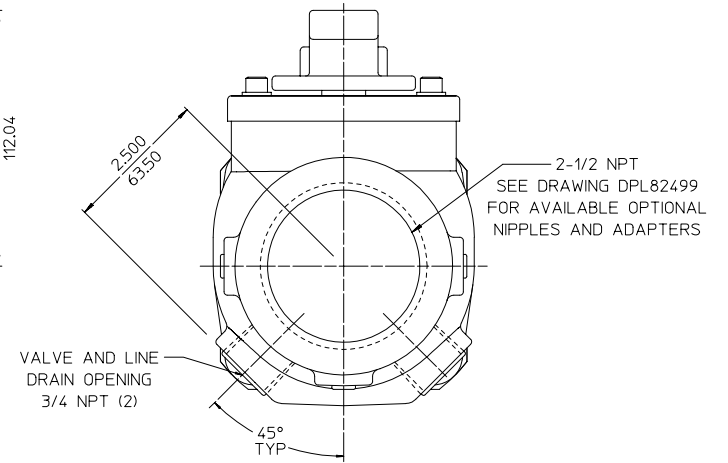
Dimensional Drawings for Discharge Valve Assembly (82102)



- NOTES:  
 WHEN ORDERING, SUPPLY THE FOLLOWING INFORMATION:  
 A. VALVE PART NUMBER 82102  
 B. FIGURE NUMBER FROM CHART TO INDICATE POSITION OF OPERATING ARM. (SEE PAGE 2)  
 C. MATERIAL: IRON ONLY AVAILABLE  
 D. OPTIONS DESIRED (SEE DRAWING DPL82499 FOR AVAILABLE NIPPLES AND ADAPTERS)



**FLANGE MOUNTED**



ALL DIMENSIONS SHOWN AS INCH/MILLIMETER  
 ( INCH )  
 ( MILLIMETER )

**82102 DISCHARGE VALVE ASSEMBLY**  
**DPL82103**  
**WATEROUS COMPANY**  
**SOUTH ST. PAUL, MN 55075**

