

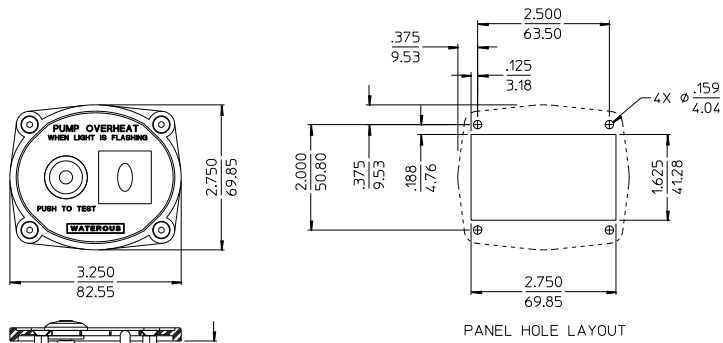


Document Number	Issue Date	Rev. Date
DPL 82517	05/01/00	8/23/21

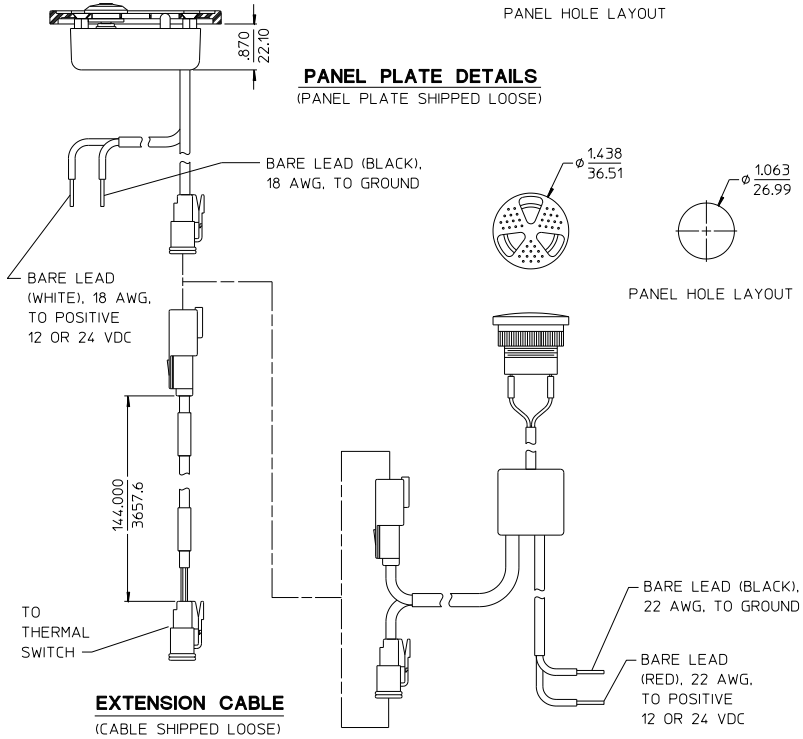
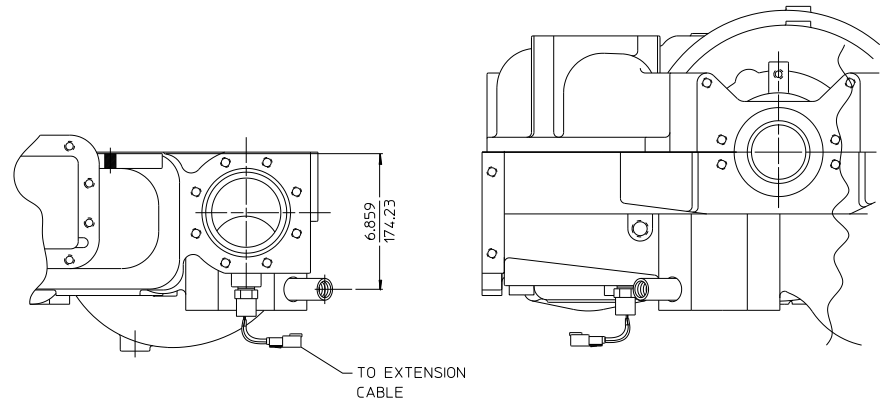
Dimensional Drawings for Overheat Protection Manager

Contents:

Pump Model	See Page
CM & CS Series	2
All Other Models	3

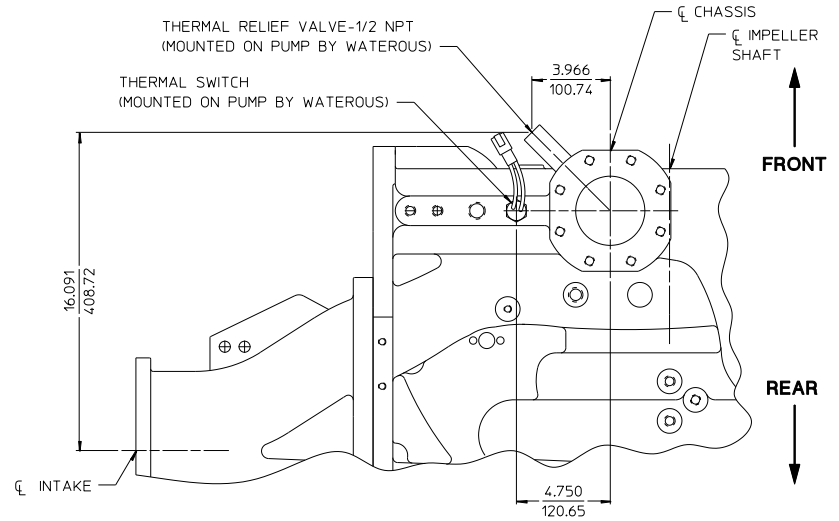


PANEL PLATE DETAILS
(PANEL PLATE SHIPPED LOOSE)



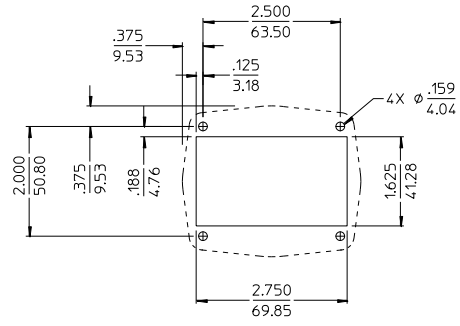
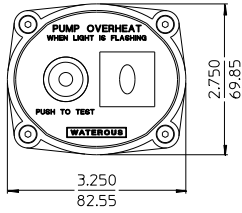
EXTENSION CABLE
(CABLE SHIPPED LOOSE)

**OPTIONAL
AUDIBLE ALARM**
(CABLE SHIPPED LOOSE)

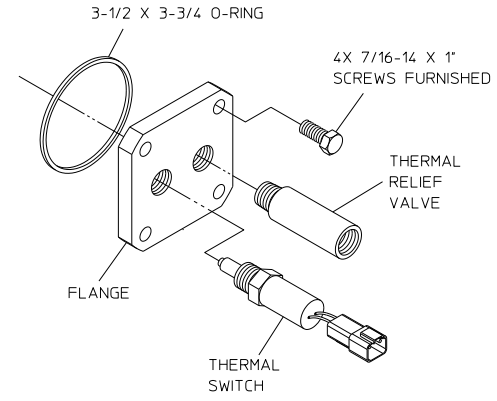


CM & CS SERIES PUMPS

NOTE:
1. ALL DIMENSIONS SHOWN AS INCH/MILLIMETER.
(INCH / MILLIMETER)



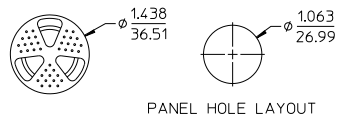
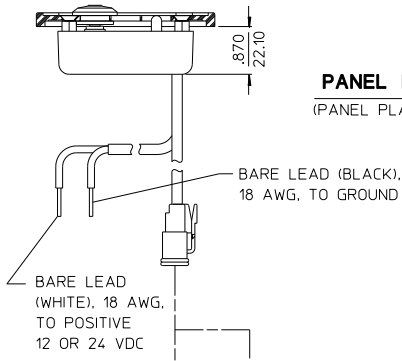
PANEL HOLE LAYOUT



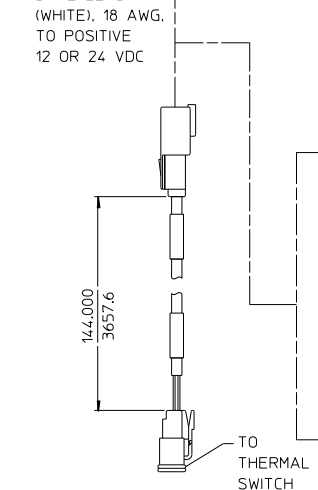
COMPONENTS FURNISHED IN KIT, MOUNT AS CLOSE TO MAIN PUMP DISCHARGE AS POSSIBLE.

PANEL PLATE DETAILS
(PANEL PLATE SHIPPED LOOSE)

NOTE:
1. ALL DIMENSIONS SHOWN AS INCH/MILLIMETER.
(INCH)
(MILLIMETER)

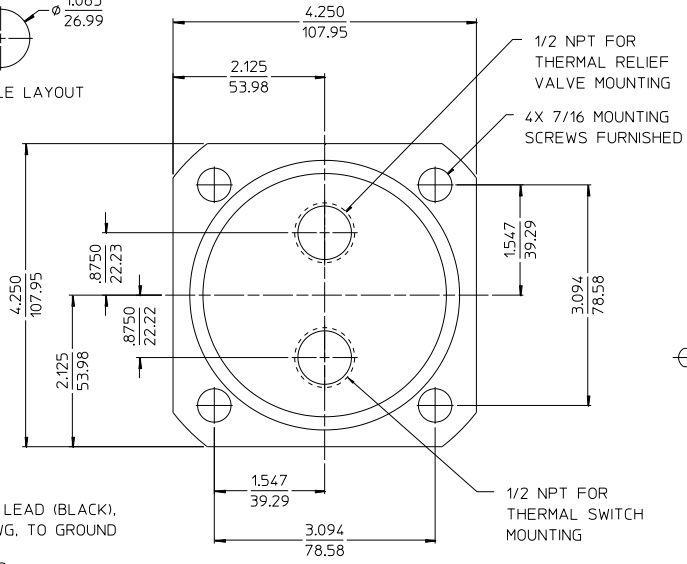
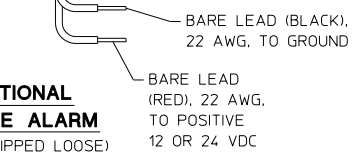


PANEL HOLE LAYOUT



EXTENSION CABLE
(CABLE SHIPPED LOOSE)

OPTIONAL AUDIBLE ALARM
(CABLE SHIPPED LOOSE)



PUMP MODELS OTHER THAN CM & CS

