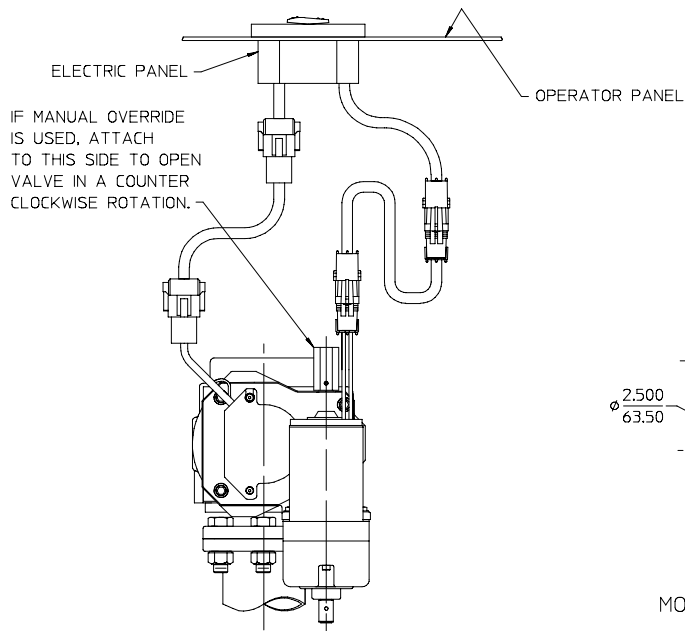




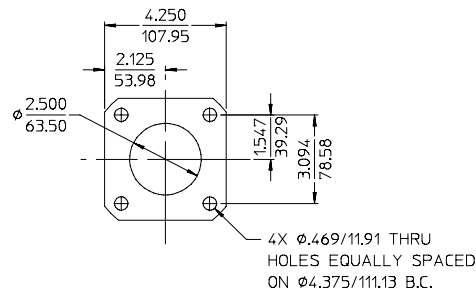
Document Number	Issue Date	Rev. Date
DPL82734	02/25/03	09/09/10

Dimensional Drawings for 2-1/2" Full-Flow Discharge Valve with Electric Rotary Actuator (82616)

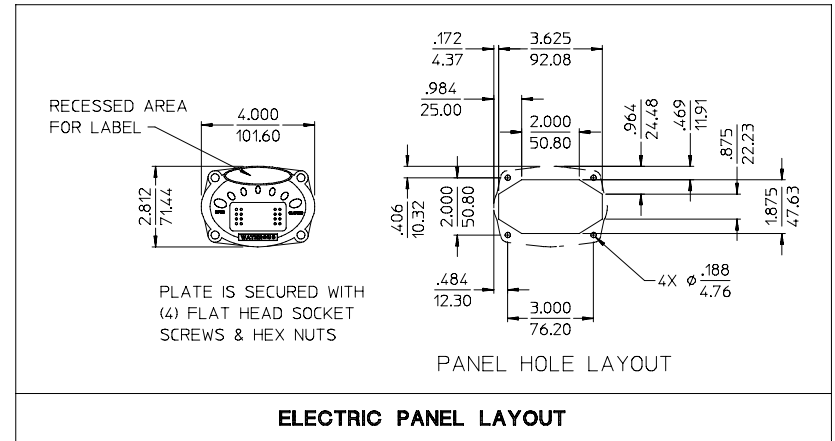
Feature	See Page
2-1/2 Full Flow Discharge Valve with Electric Rotary Actuator / Electric Panel Layout	2
Actuator Mounting Configurations	3
Typical Electric Discharge Valve Installation for Left (Drivers) Side Panel	4



ALL DIMENSIONS SHOWN AS INCH/MILLIMETER
(INCH / MILLIMETER)



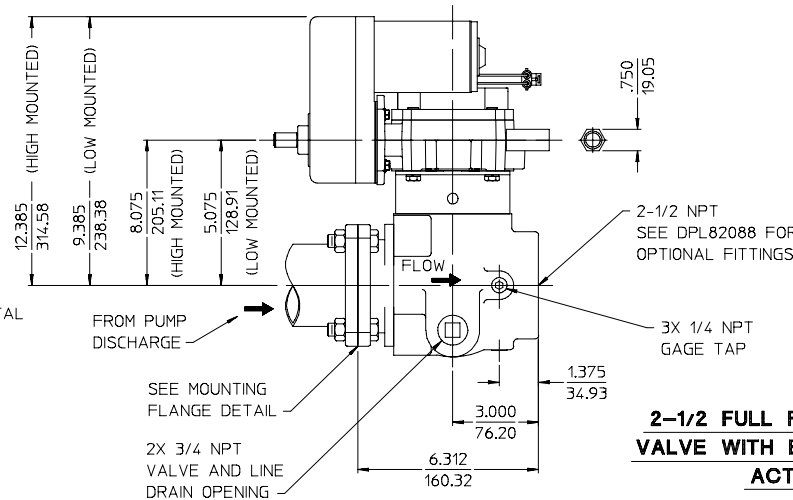
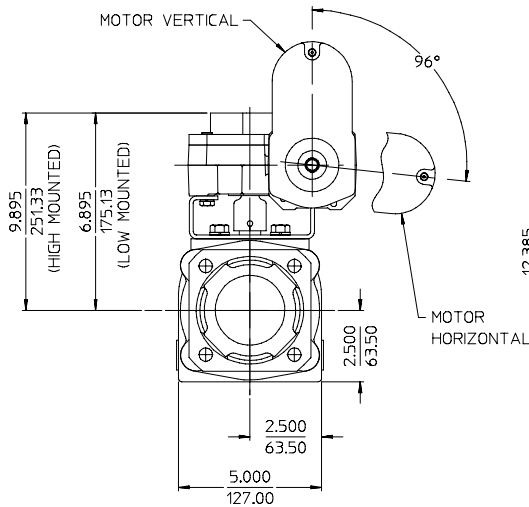
MOUNTING FLANGE
DETAIL



ELECTRIC PANEL LAYOUT

NOTE: WIRING FURNISHED WITH VALVE IS 10 FEET LONG. IF LONGER WIRING IS NEEDED, ORDER 10 FOOT WIRE EXTENSION KIT K 1100.

- NOTES:
- WHEN ORDERING SUPPLY THE FOLLOWING INFORMATION:
1. VALVE PART NUMBER 82616
 2. SUFFIXES WHICH INDICATE ACTUATOR MOUNTING.
 3. SEE DRAWING DPL82499 FOR DISCHARGE ADAPTER AND PIPE NIPPLE OPTIONS.



**2-1/2 FULL FLOW DISCHARGE
VALVE WITH ELECTRIC ROTARY
ACTUATOR**

(FIGURE 7 SHOWN)

82616-2A (1)

ACTUATOR MOUNTING CONFIGURATION.
FIGURE NUMBERS 1, 2, 3 & 7 FOR A VERTICAL MOTOR,
FIGURE NUMBERS 4, 5, 6 & 8 FOR A HORIZONTAL MOTOR.
SEE PAGE 3 FOR DETAILS.

ACTUATOR OPTIONS:

- 2A (12 VOLT, LOW MOUNTED, MOTOR VERTICAL)
- 2B (12 VOLT, LOW MOUNTED, MOTOR HORIZONTAL)
- 2C (12 VOLT, HIGH MOUNTED, MOTOR VERTICAL)
- 2D (12 VOLT, HIGH MOUNTED, MOTOR HORIZONTAL)
- 2E (24 VOLT, LOW MOUNTED, MOTOR VERTICAL)
- 2F (24 VOLT, LOW MOUNTED, MOTOR HORIZONTAL)
- 2G (24 VOLT, HIGH MOUNTED, MOTOR VERTICAL)
- 2H (24 VOLT, HIGH MOUNTED, MOTOR HORIZONTAL)

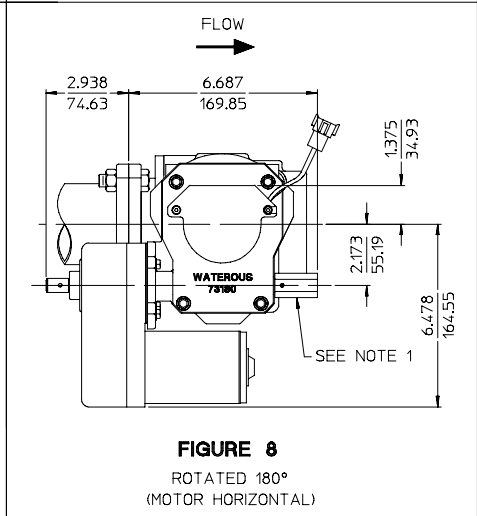
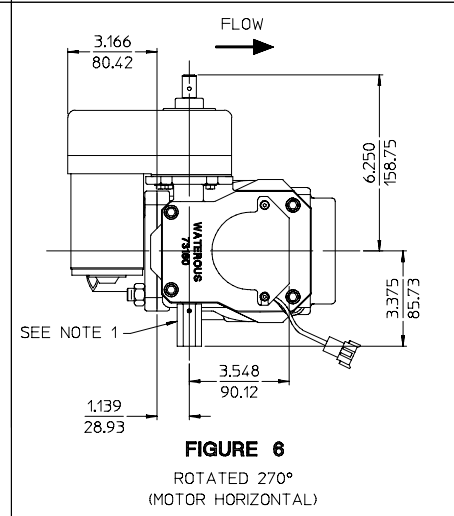
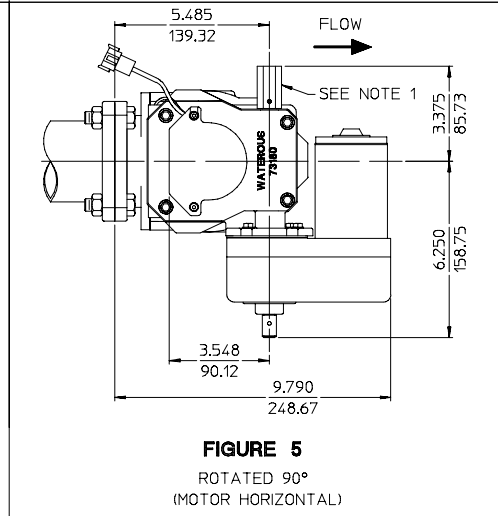
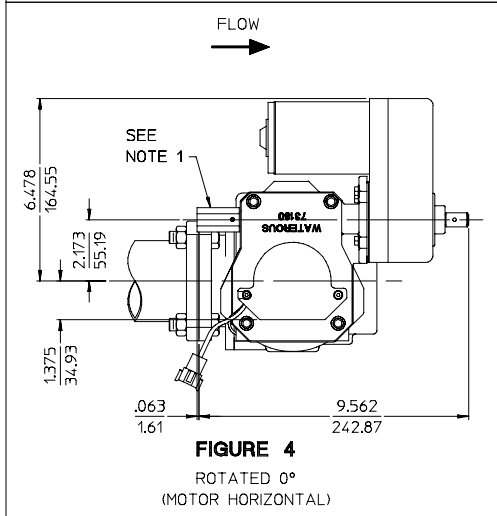
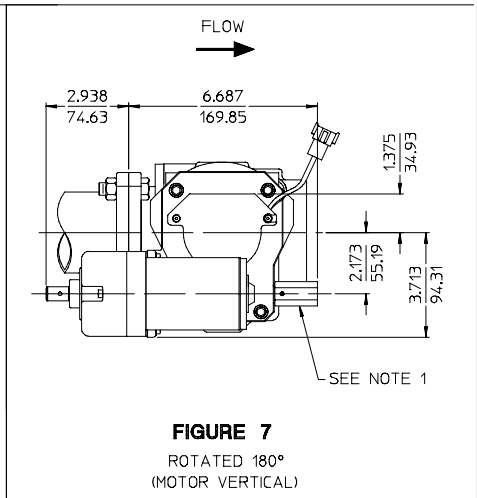
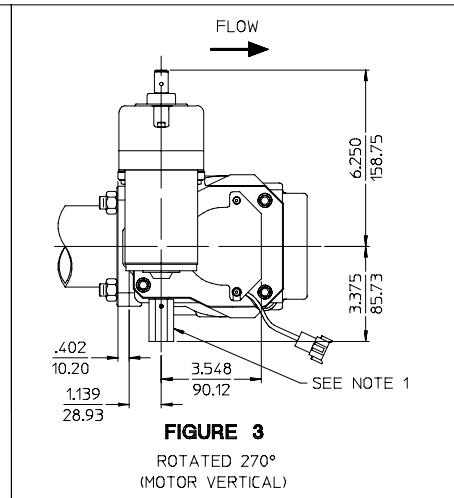
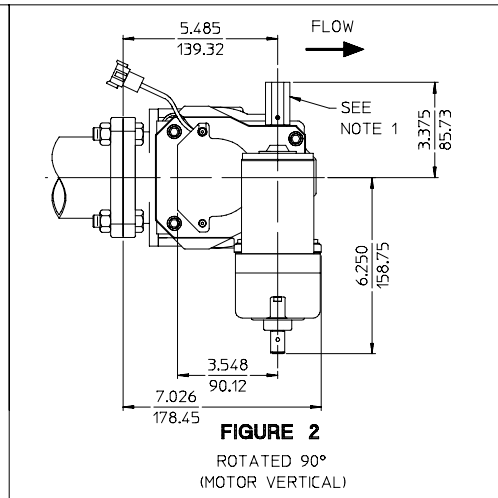
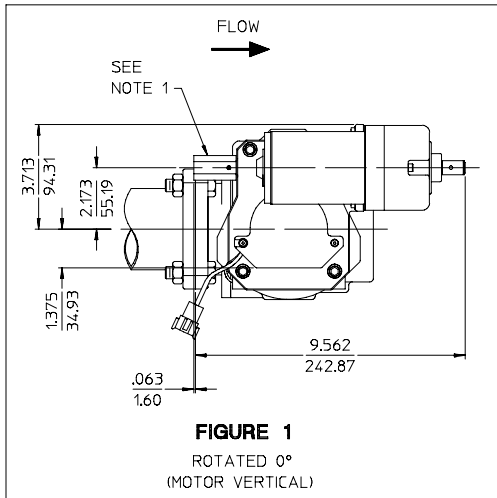
DISCHARGE VALVE WITH ELECTRIC
ROTARY ACTUATOR

DPL82734

WATEROUS COMPANY

SOUTH ST. PAUL, MN 55075

PAGE 2 OF 4

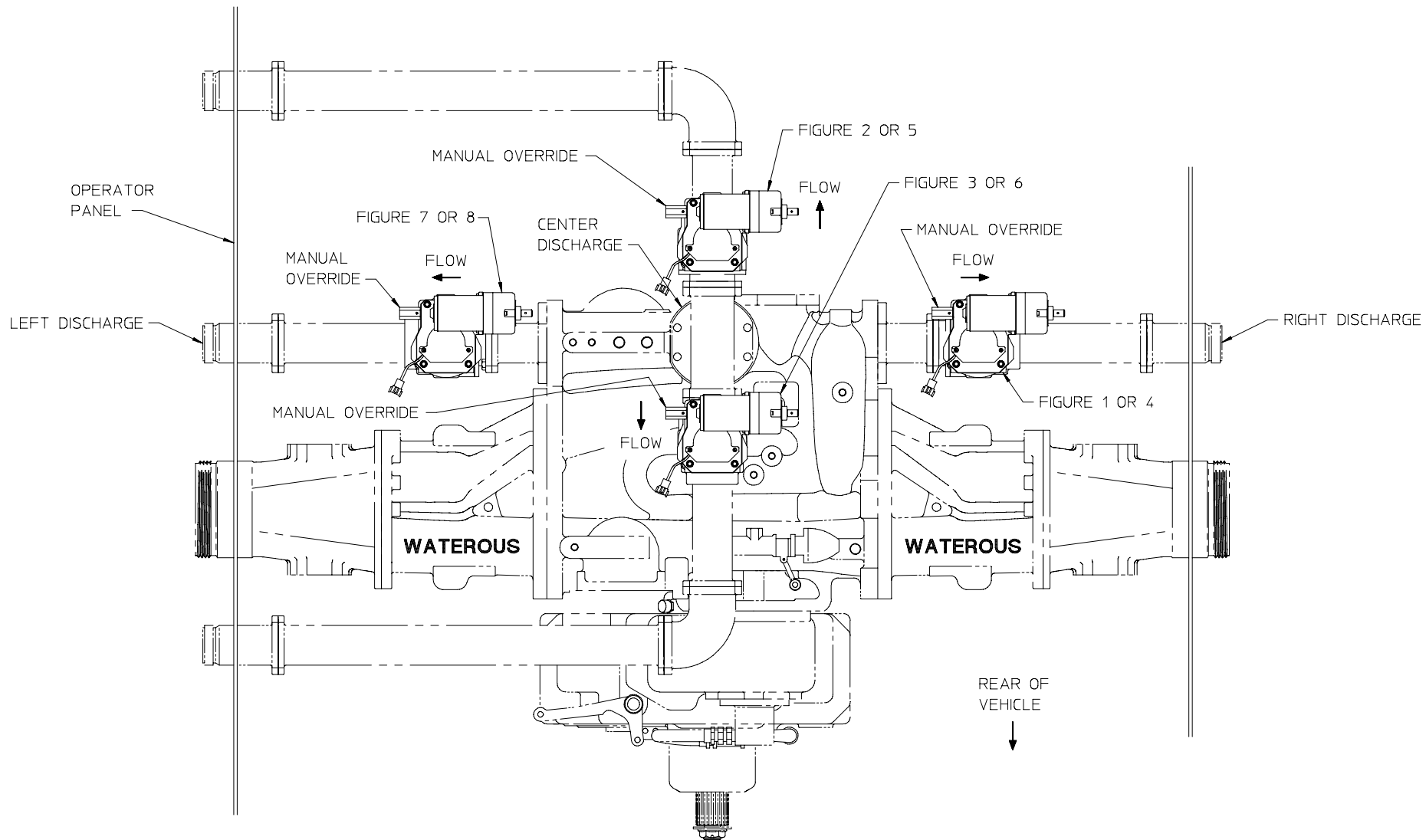


NOTE:
1. ADAPTER NUT SHOWN
(USED FOR MANUAL OVERRIDE)
WILL ADD .750 TO LENGTH OF SHAFT,
OR IF NOT USED WILL DECREASE
LENGTH BY .750.

ACTUATOR MOUNTING CONFIGURATIONS
(SEE PAGE 4 FOR TYPICAL VALVE INSTALLATION DIAGRAM)

ALL DIMENSIONS SHOWN
AS INCH/MILLIMETER
(INCH / MILLIMETER)

**DISCHARGE VALVES WITH ELECTRIC
ROTARY ACTUATOR**
DPL82734
WATEROUS COMPANY
SOUTH ST. PAUL, MN 55075
PAGE 3 OF 4



TYPICAL ELECTRIC DISCHARGE VALVE INSTALLATION
FOR LEFT (DRIVERS) SIDE PANEL

(ALL VALVES SHOWN ARE POSITIONED FOR COUNTER CLOCKWISE
 ROTATION WHEN MANUAL OVERRIDE IS USED TO OPEN VALVE)

DISCHARGE VALVES WITH ELECTRIC
 ROTARY ACTUATOR
 DPL82734
 WATEROUS COMPANY
 SOUTH ST. PAUL, MN 55075
 PAGE 4 OF 4