

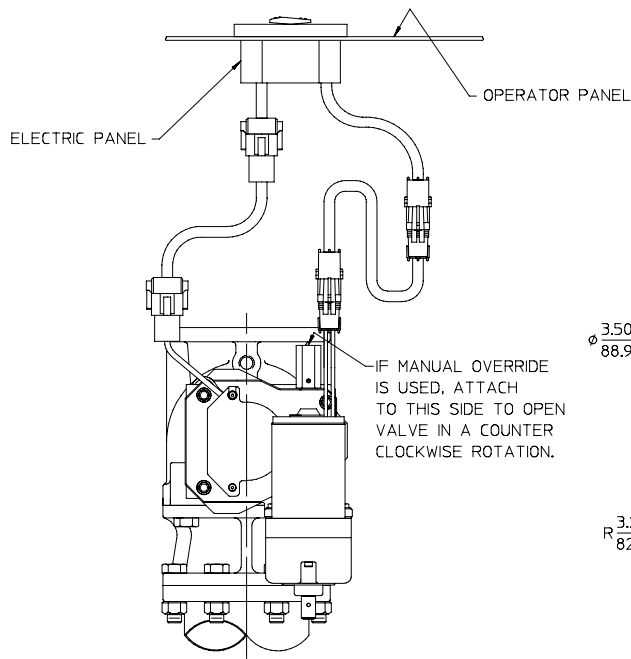


| | | |
|-----------------|-----------------|-----------------|
| Document Number | Issue Date | Rev. Date |
| DPL82735 | 02/25/03 | 03/01/11 |

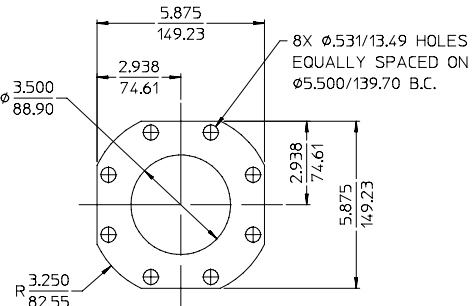
3-1/2" Standard Discharge Valve with Electric Rotary Actuator (82617) Dimensional Drawings

Contents:

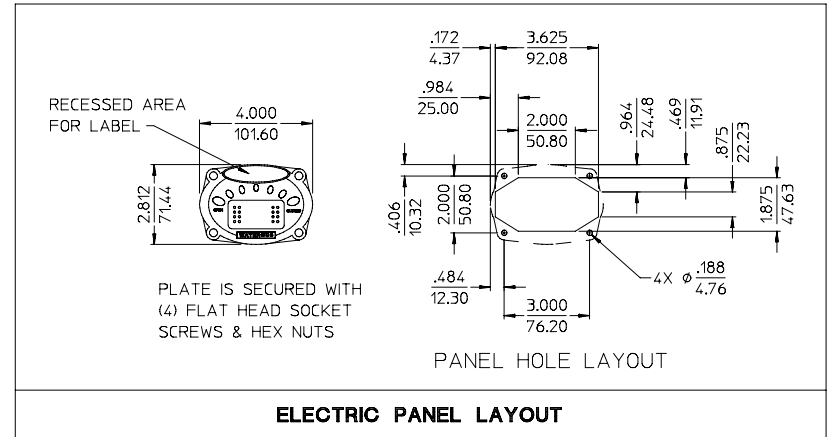
| Item | See Page |
|--|----------|
| 3-1/2 Standard Discharge Valve with Electric Rotary Actuator / Electric Panel Layout | 2 |
| Actuator Mounting Configurations | 3 |
| Typical Electric Discharge Valve Installation for Left (Drivers) Side Panel | 4 |



ALL DIMENSIONS SHOWN
AS INCH/MILLIMETER
(INCH / MILLIMETER)

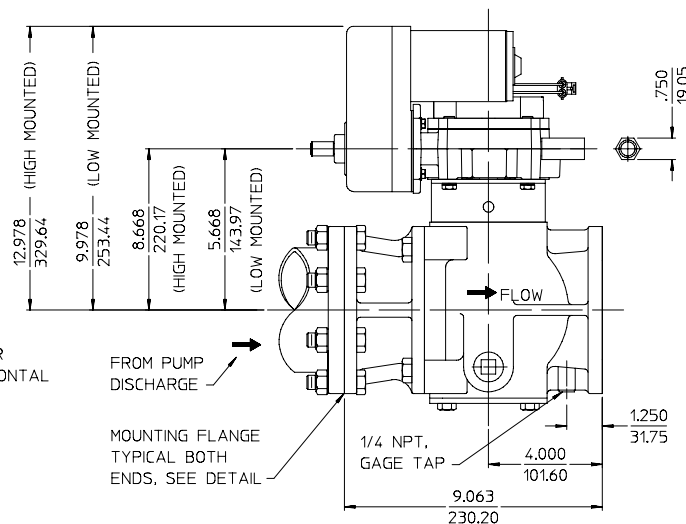
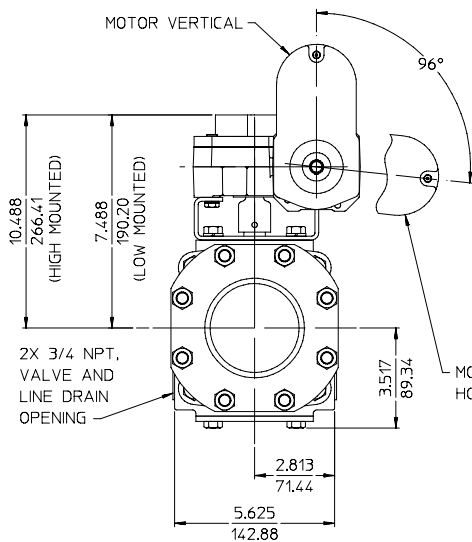


MOUNTING FLANGE
DETAIL



NOTE: WIRING FURNISHED WITH VALVE IS
10 FEET LONG. IF LONGER WIRING IS NEEDED,
ORDER 10 FOOT WIRE EXTENSION KIT K 1100.

- NOTES:
WHEN ORDERING SUPPLY THE FOLLOWING INFORMATION:
1. VALVE PART NUMBER 82617
 2. SUFFIXES WHICH INDICATE ACTUATOR MOUNTING.
 3. SEE DRAWING DPL82499 FOR DISCHARGE ADAPTER AND PIPE NIPPLE OPTIONS.

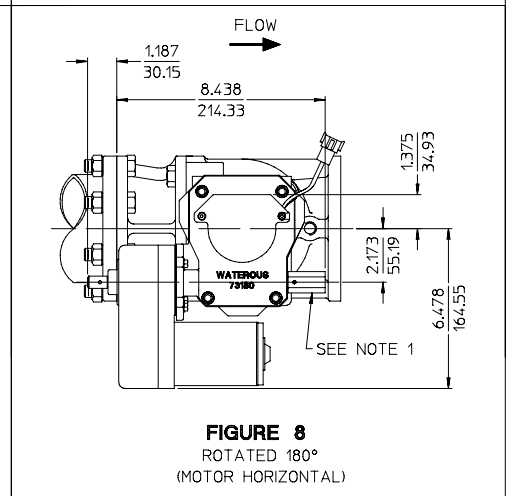
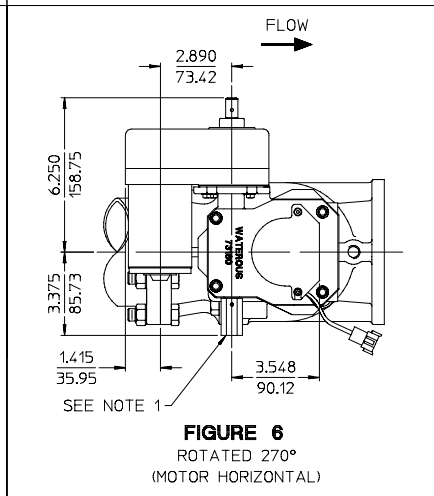
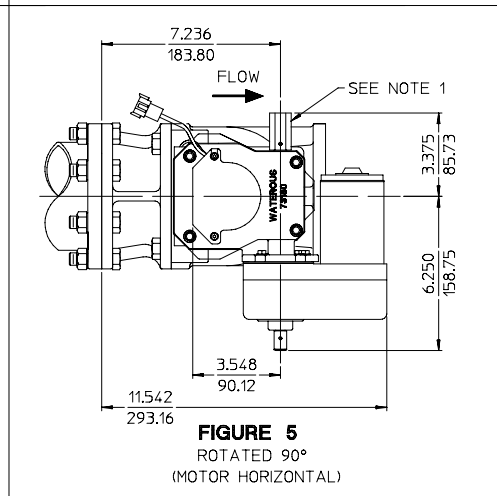
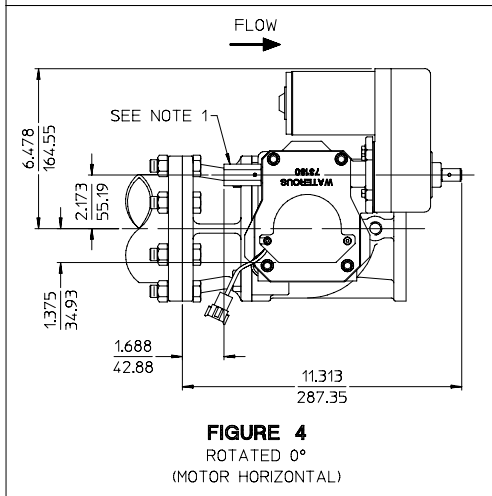
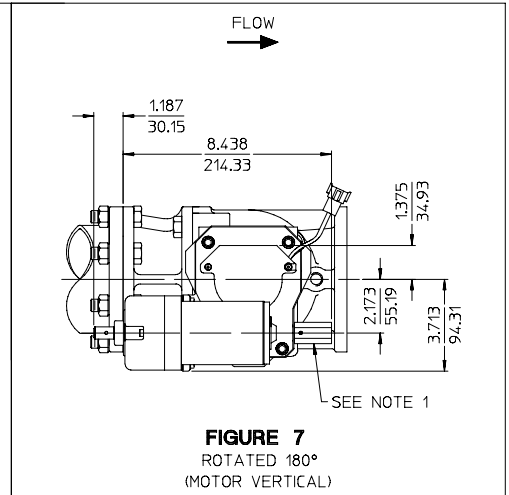
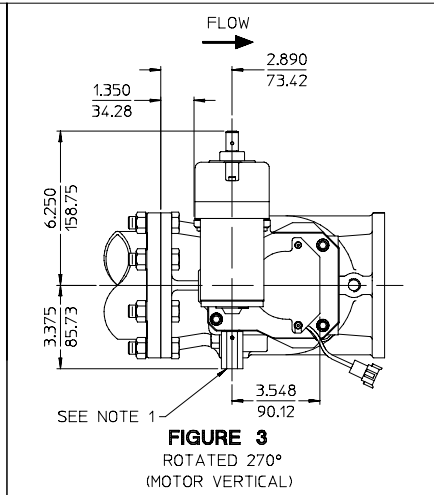
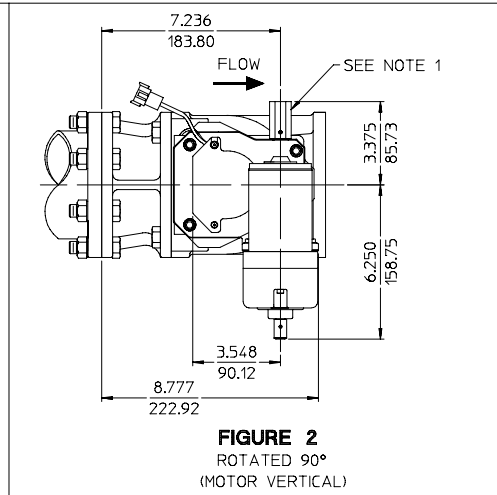
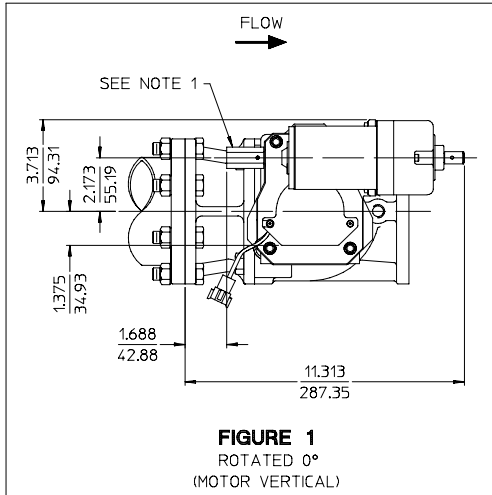


- 82617-2A (1)
- ACTUATOR MOUNTING CONFIGURATION.
FIGURE NUMBERS 1, 2, 3 & 7 FOR A VERTICAL MOTOR,
FIGURE NUMBERS 4, 5, 6 & 8 FOR A HORIZONTAL MOTOR.
SEE PAGE 3 FOR DETAILS.

- ACTUATOR OPTIONS:
- 2A (12 VOLT, LOW MOUNTED, MOTOR VERTICAL)
 - 2B (12 VOLT, LOW MOUNTED, MOTOR HORIZONTAL)
 - 2C (12 VOLT, HIGH MOUNTED, MOTOR VERTICAL)
 - 2D (12 VOLT, HIGH MOUNTED, MOTOR HORIZONTAL)
 - 2E (24 VOLT, LOW MOUNTED, MOTOR VERTICAL)
 - 2F (24 VOLT, LOW MOUNTED, MOTOR HORIZONTAL)
 - 2G (24 VOLT, HIGH MOUNTED, MOTOR VERTICAL)
 - 2H (24 VOLT, HIGH MOUNTED, MOTOR HORIZONTAL)

**3-1/2 STANDARD DISCHARGE
VALVE WITH ELECTRIC ROTARY
ACTUATOR**
(FIGURE 7 SHOWN)

DISCHARGE VALVE WITH
ELECTRIC ROTARY ACTUATOR
DPI82735
WATEROUS COMPANY
SOUTH ST. PAUL, MN 55075
PAGE 2 OF 4

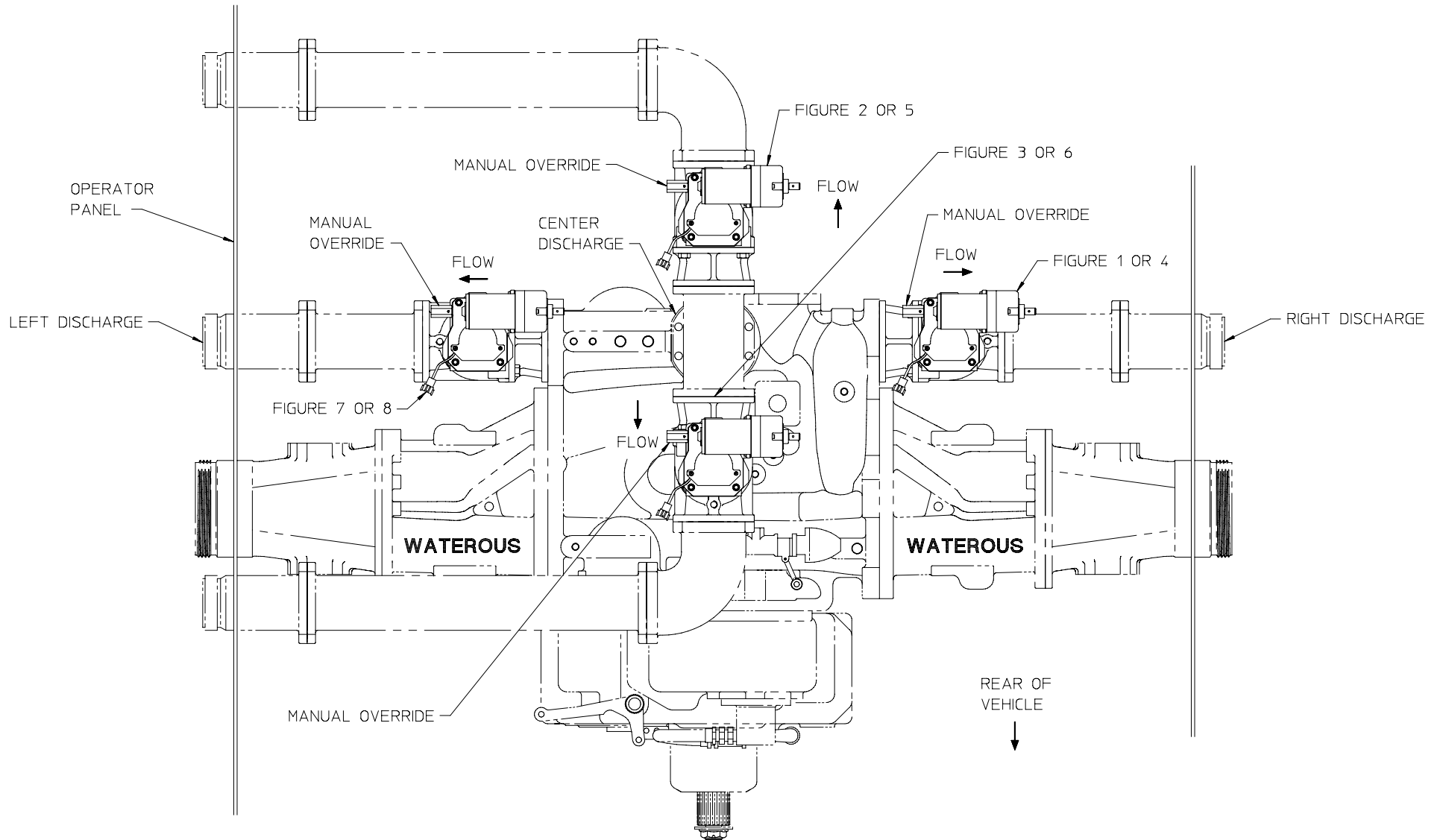


NOTE:
1. ADAPTER NUT SHOWN
(USED FOR MANUAL OVERRIDE)
WILL ADD .750 TO LENGTH OF SHAFT,
OR IF NOT USED WILL DECREASE
LENGTH BY .750.

ACTUATOR MOUNTING CONFIGURATIONS
(SEE PAGE 4 FOR TYPICAL VALVE INSTALLATION DIAGRAM)

ALL DIMENSIONS SHOWN
AS INCH/MILLIMETER
(INCH / MILLIMETER)

DISCHARGE VALVE WITH
ELECTRIC ROTARY ACTUATOR
DP182735
WATEROUS COMPANY
SOUTH ST. PAUL, MN 55075
PAGE 3 OF 4



**TYPICAL ELECTRIC DISCHARGE VALVE INSTALLATION
FOR LEFT (DRIVERS) SIDE PANEL**

(ALL VALVES SHOWN ARE POSITIONED FOR COUNTER CLOCKWISE
ROTATION WHEN MANUAL OVERRIDE IS USED TO OPEN VALVE)

DISCHARGE VALVE WITH
ELECTRIC ROTARY ACTUATOR
DP182735
WATEROUS COMPANY
SOUTH ST. PAUL, MN 55075
PAGE 4 OF 4