

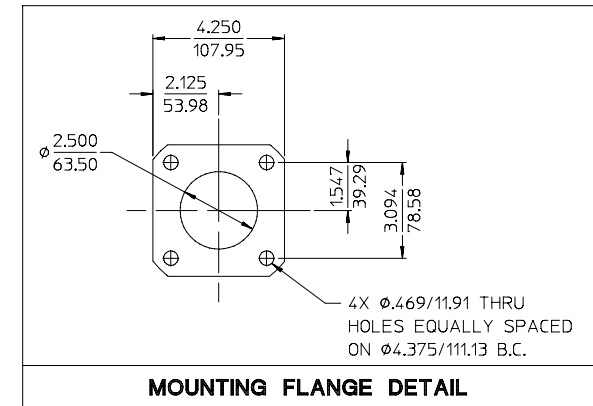
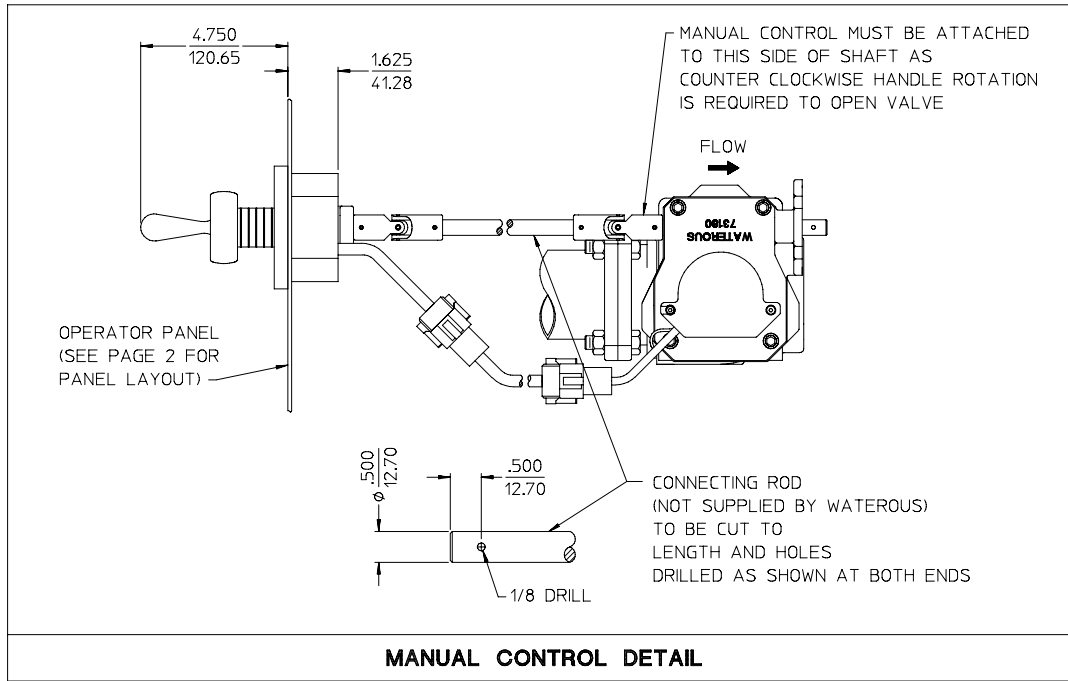


Document Number	Issue Date	Rev. Date
<b>DPL82736</b>	<b>02/25/03</b>	<b>03/01/11</b>

## 2-1/2" Standard Discharge Valve with Manual Rotary Actuator (82618) Dimensional Drawings

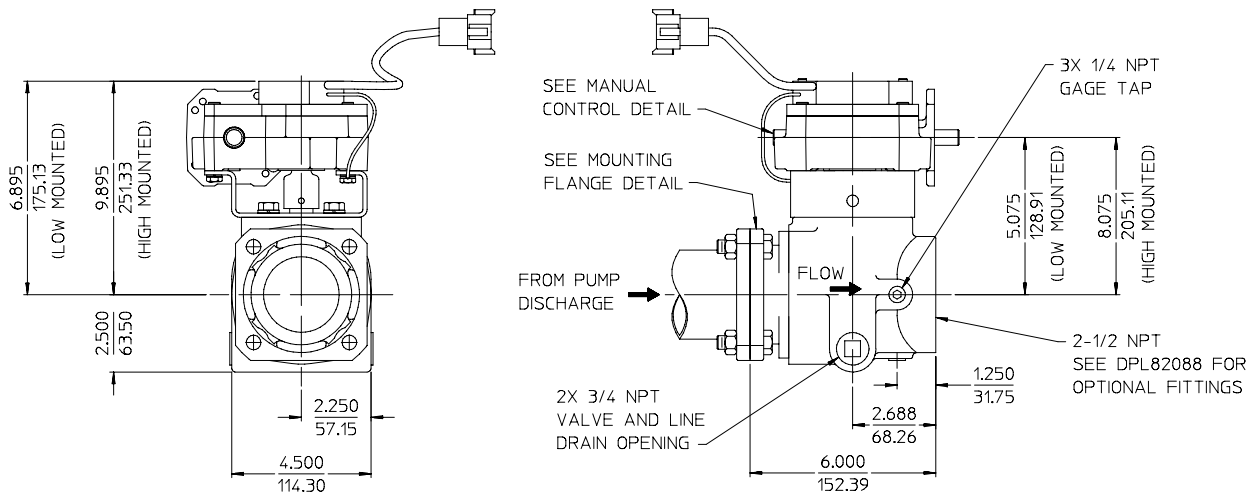
### Contents:

Item	See Page
2-1/2 Standard Discharge Valve with Manual Rotary Actuator	2
Manual Panel Layout / Actuator Mounting Configurations	3
Typical Manual Discharge Valve Installation for Left (Drivers) Side Panel	4



NOTE: WIRING FURNISHED WITH VALVE IS 10 FEET LONG. IF LONGER WIRING IS NEEDED, ORDER 10 FOOT WIRE EXTENSION KIT K 1101.

- NOTES:
- WHEN ORDERING SUPPLY THE FOLLOWING INFORMATION:
1. VALVE PART NUMBER 82618
  2. SUFFIXES WHICH INDICATE ACTUATOR MOUNTING.
  3. SEE DRAWING DPL82499 FOR DISCHARGE ADAPTER AND PIPE NIPPLE OPTIONS.



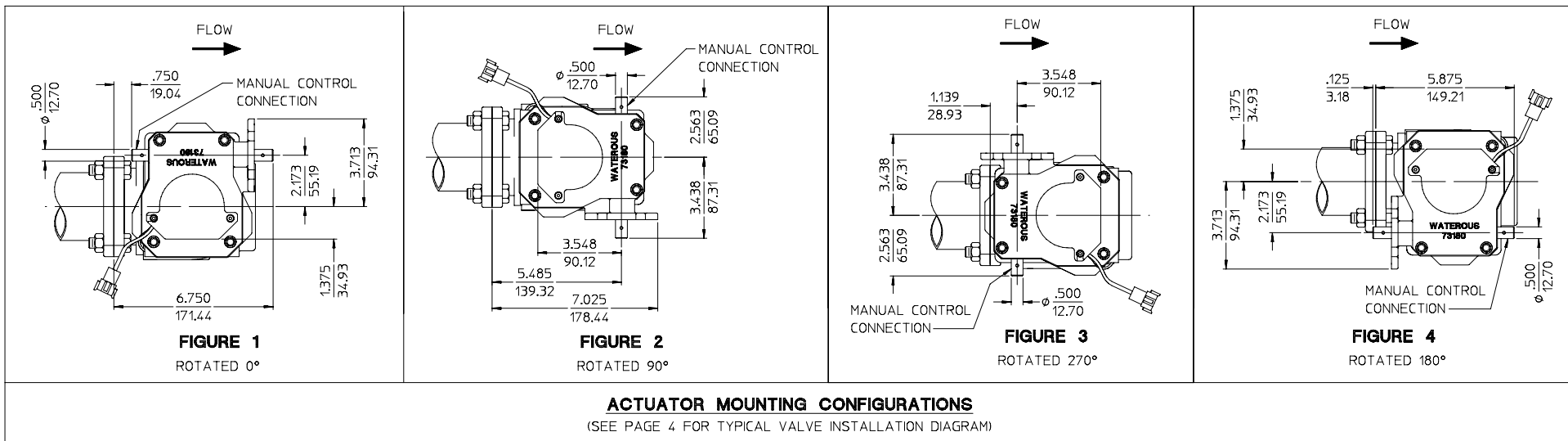
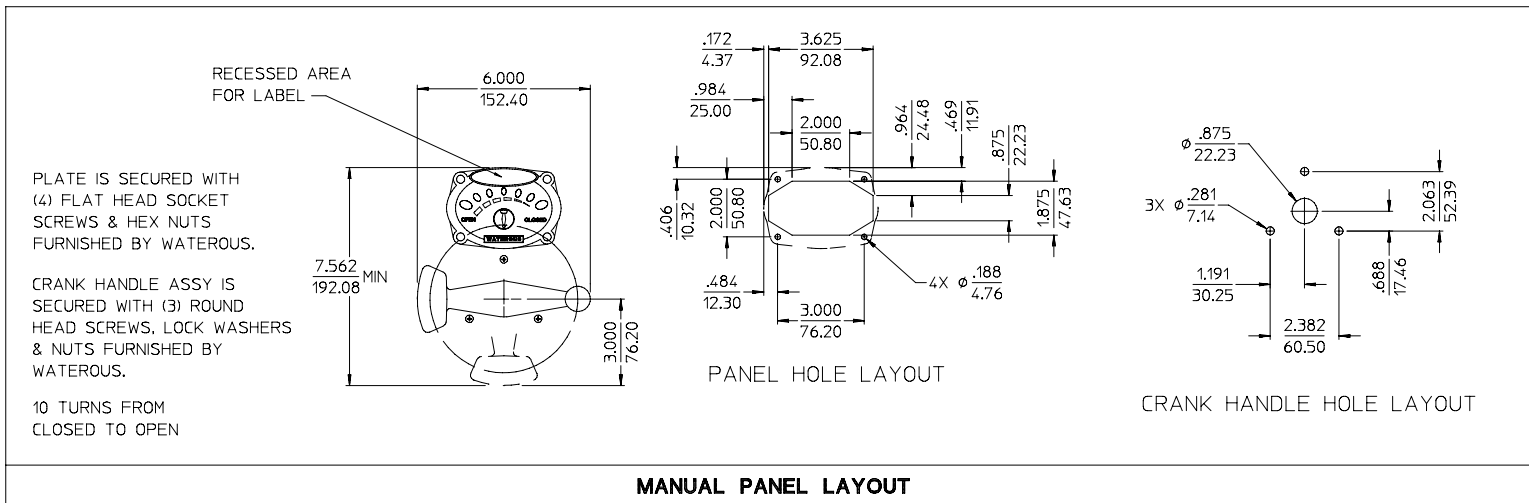
- 82618-2A (1)
- ACTUATOR MOUNTING CONFIGURATION. FIGURE NUMBERS 1 THRU 4 AVAILABLE. FOR BOTH HIGH & LOW ACTUATOR MOUNTING OPTIONS, SEE PAGE 3 FOR DETAILS.
  - ACTUATOR OPTIONS:
    - 2A (12 VOLT, LOW MOUNTED)
    - 2B (12 VOLT, HIGH MOUNTED)
    - 2C (24 VOLT, LOW MOUNTED)
    - 2D (24 VOLT, HIGH MOUNTED)

ALL DIMENSIONS SHOWN AS INCH/MILLIMETER

(  $\frac{\text{INCH}}{\text{MILLIMETER}}$  )

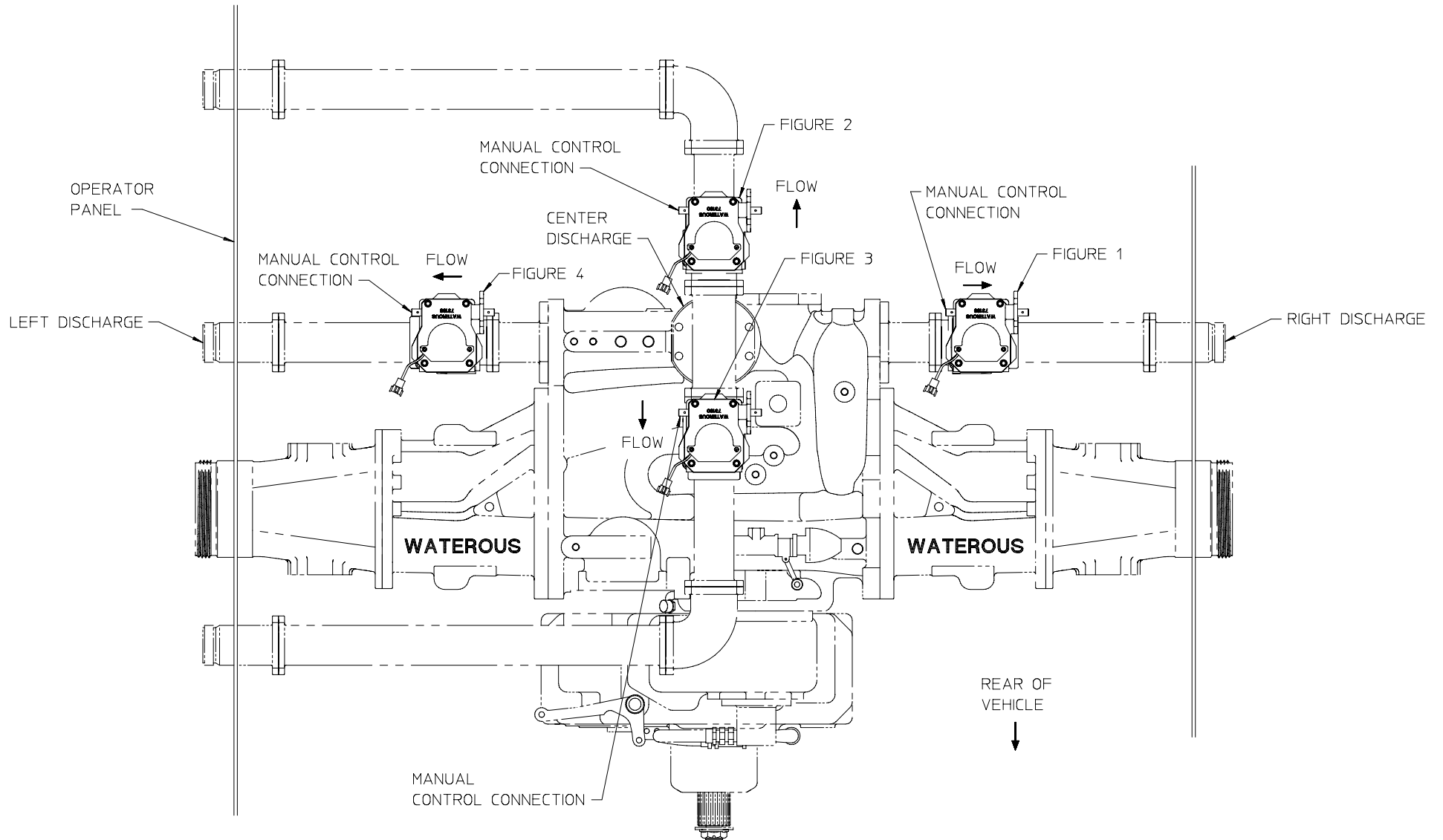
DISCHARGE VALVE WITH  
MANUAL ROTARY ACTUATOR  
DP182736  
WATEROUS COMPANY  
SOUTH ST. PAUL, MN 55075  
PAGE 2 OF 4

(FIGURE 1 SHOWN)



ALL DIMENSIONS SHOWN  
AS INCH/MILLIMETER  
(  $\frac{\text{INCH}}{\text{MILLIMETER}}$  )

DISCHARGE VALVE WITH  
MANUAL ROTARY ACTUATOR  
DP182736  
WATEROUS COMPANY  
SOUTH ST. PAUL, MN 55075  
PAGE 3 OF 4



**TYPICAL MANUAL DISCHARGE VALVE INSTALLATION  
FOR LEFT (DRIVERS) SIDE PANEL**

(ALL VALVES SHOWN ARE POSITIONED FOR COUNTER CLOCKWISE  
ROTATION WHEN MANUAL CONTROL IS USED TO OPEN VALVE)

DISCHARGE VALVE WITH  
MANUAL ROTARY ACTUATOR  
DP182736  
WATEROUS COMPANY  
SOUTH ST. PAUL, MN 55075  
PAGE 4 OF 4