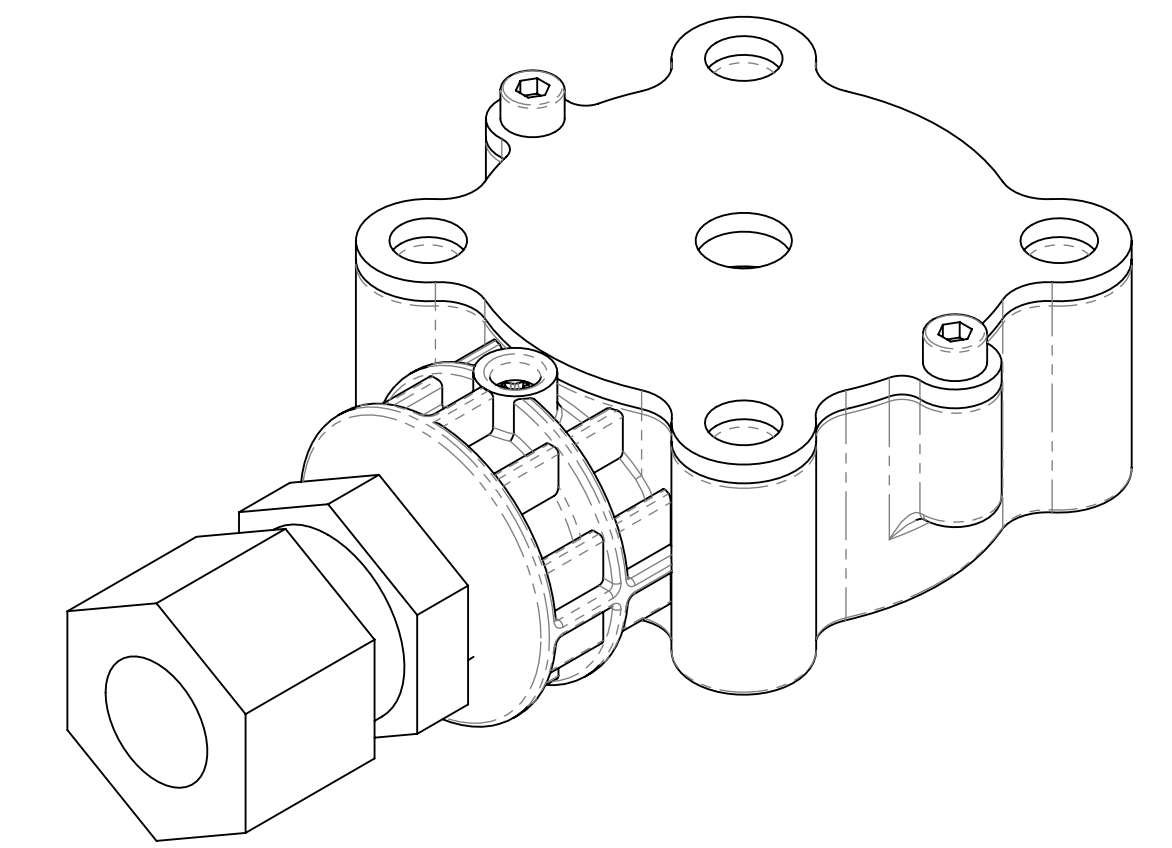
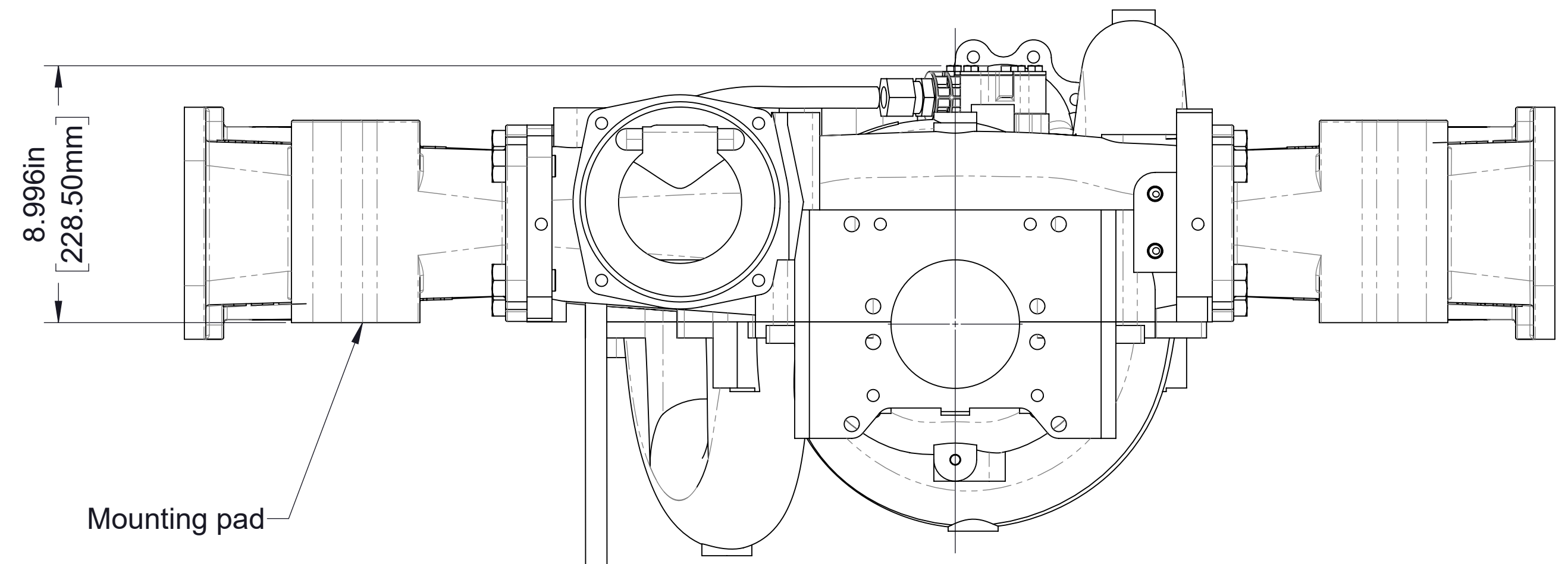
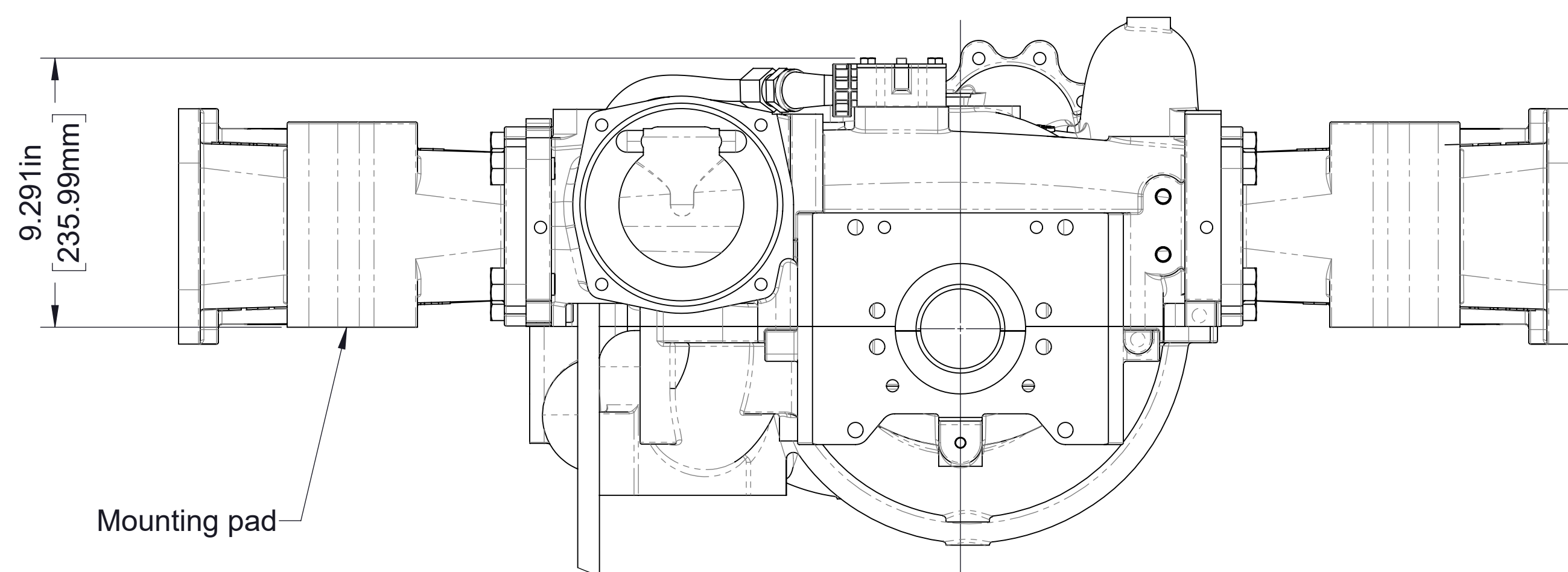
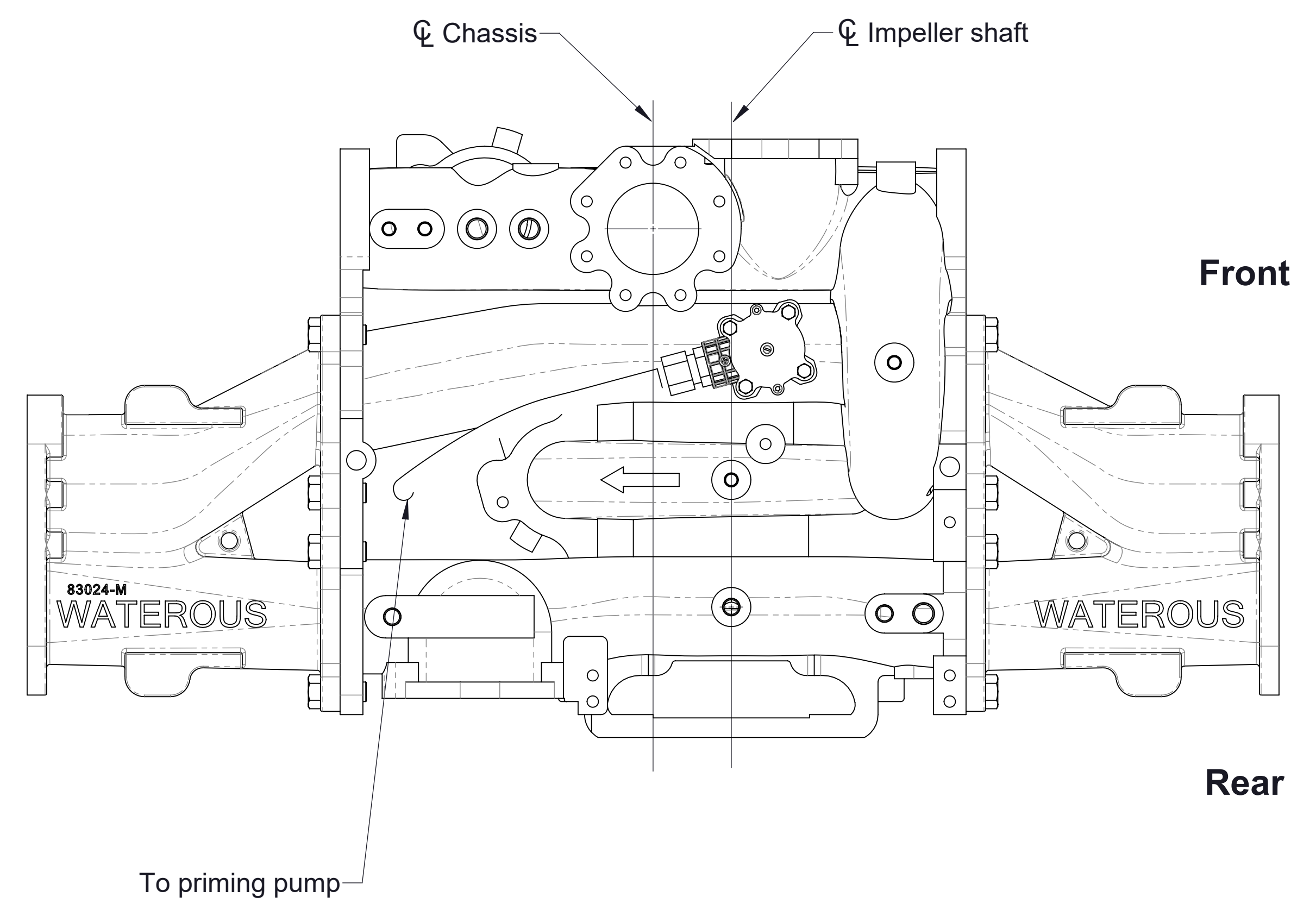
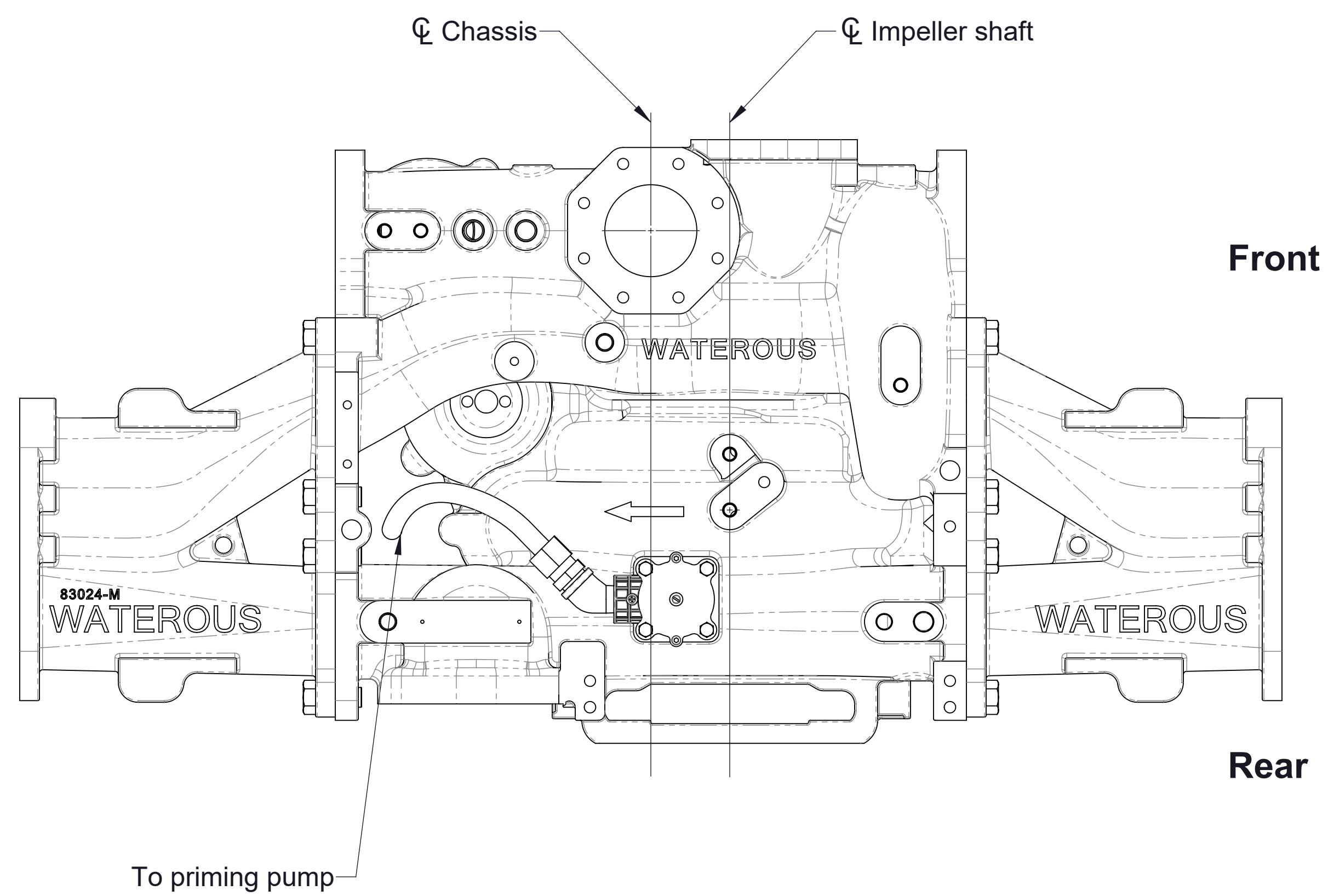


## Vacuum Activated Priming Valve (VAP) Dimensional Drawing

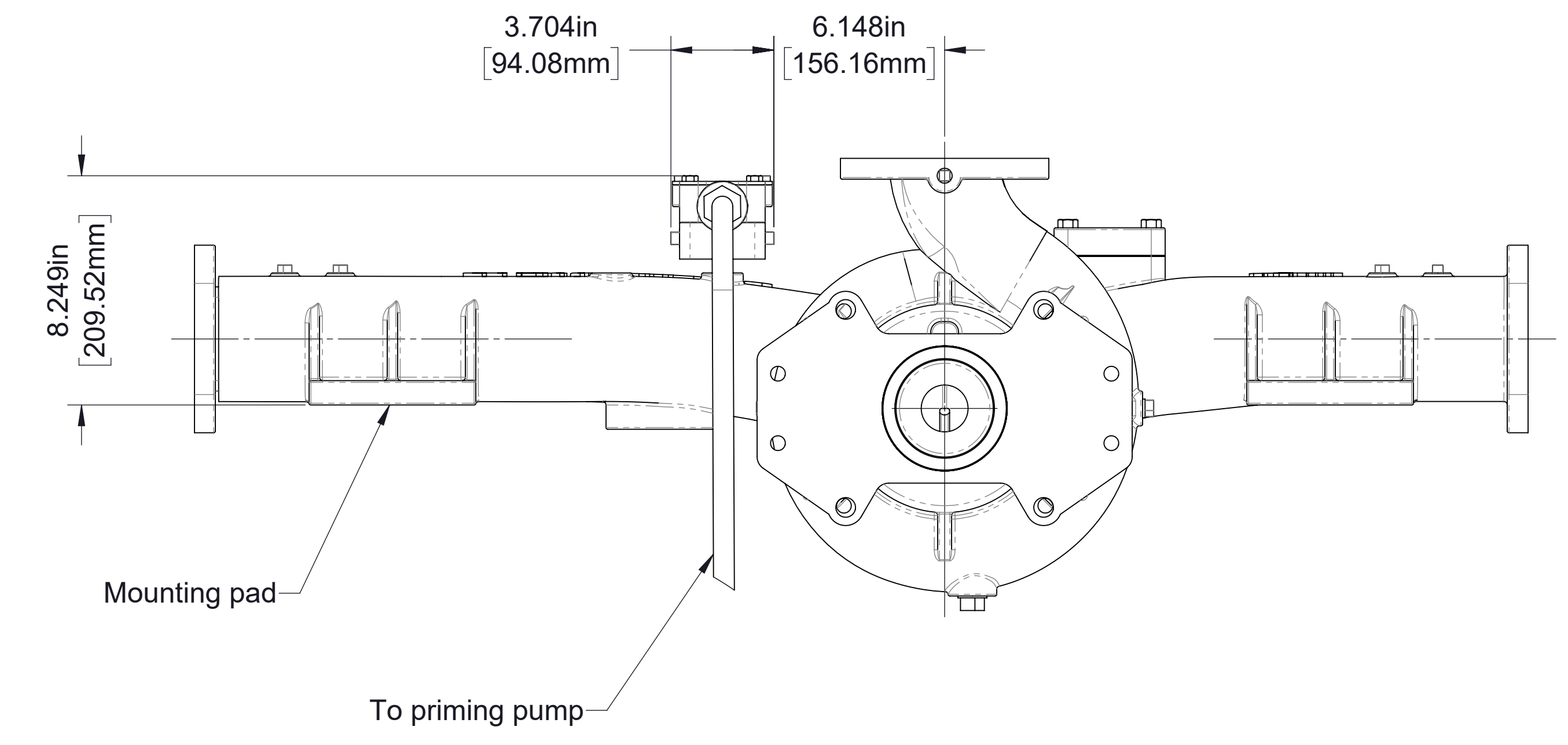
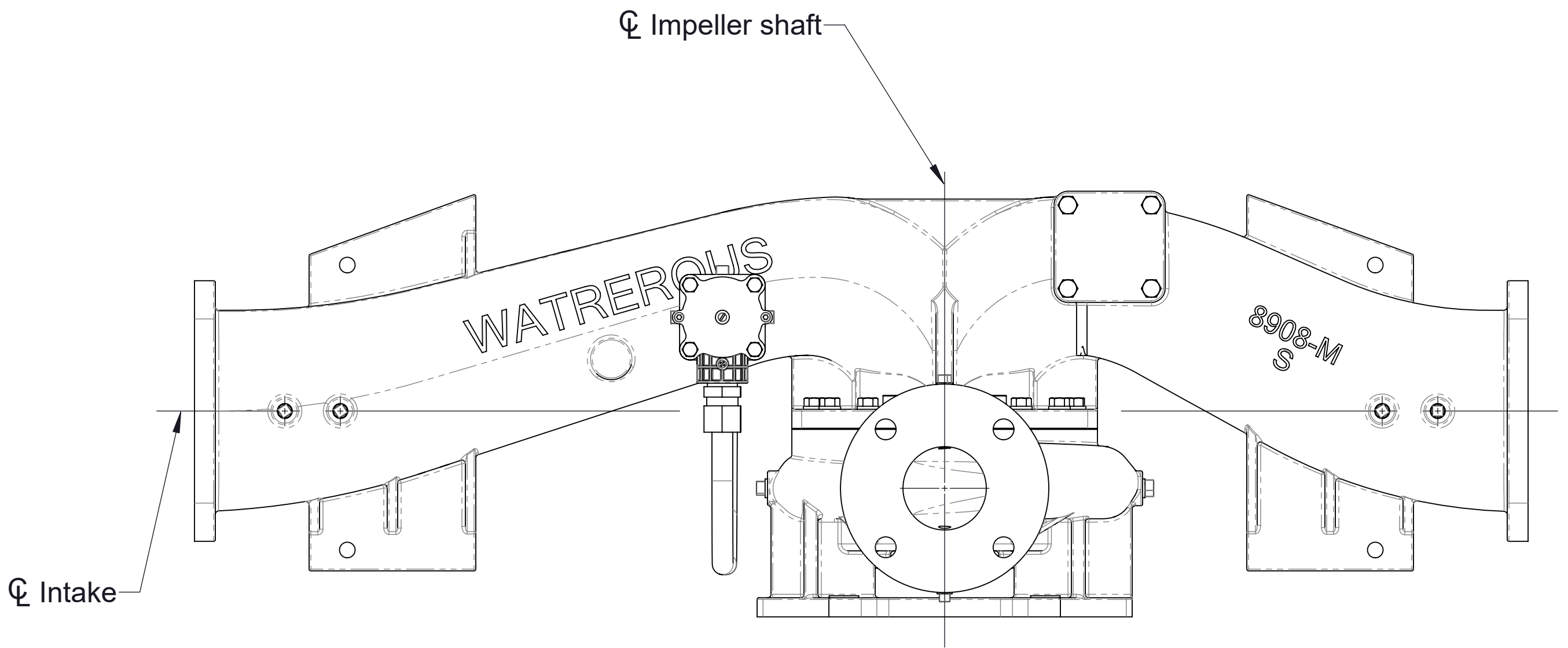


Pump		See Page		
Model	Material	Valve Mounting		Valve Dimensions
		On the Pump (By Waterous)	By the OEM (Shipped Loose by Waterous)	
CM, CMU, CMH, CMUH, CS, CSU, CSH, CSUH	Iron	2	--	5
CGVG	Iron or Bronze	3		
CLS		3		
CXS		4		
CGV, CGVN, CGVR	Iron or Bronze	--	6	--
CLV, CLR				
CXN, CXR, CXV				
CP-2				
CP-3				
CP-4				
CH-4				
CR				
CZ, CZU				
S100				

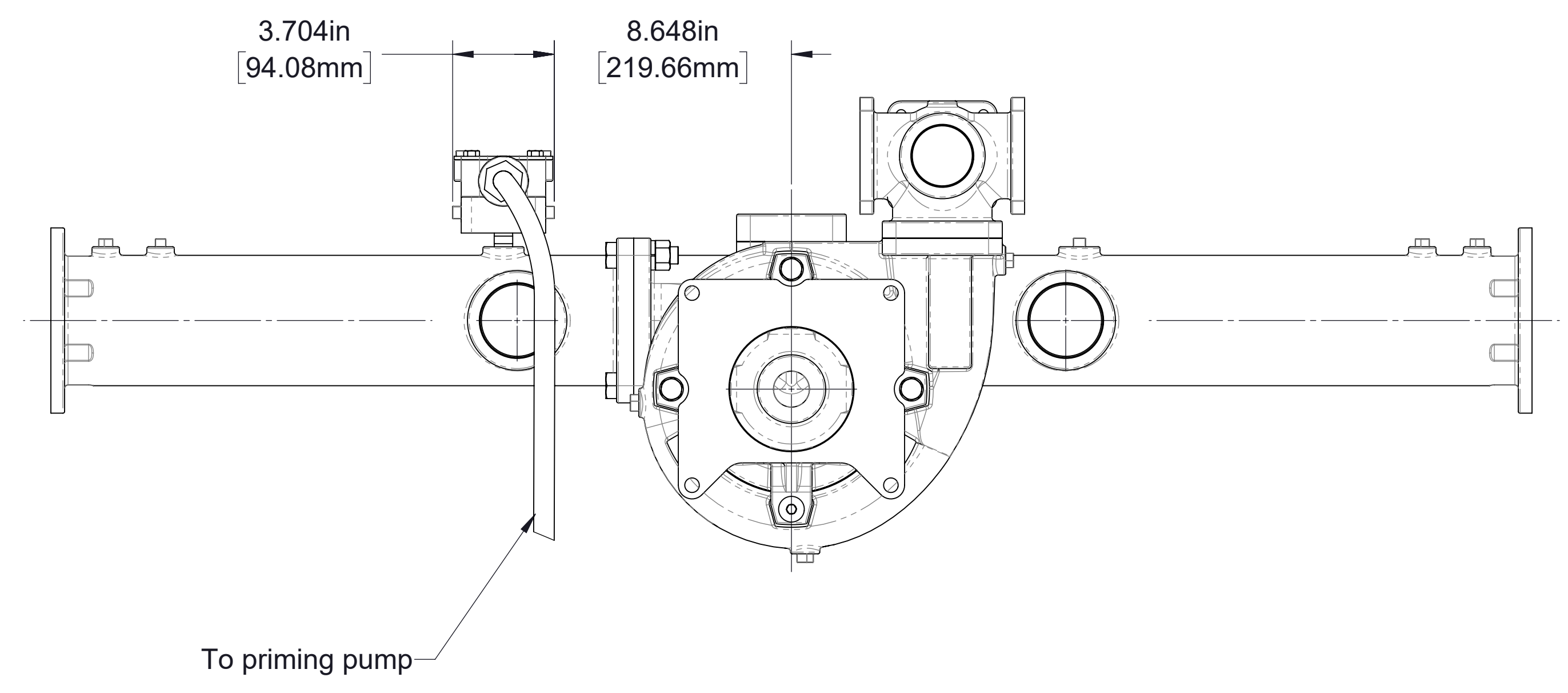
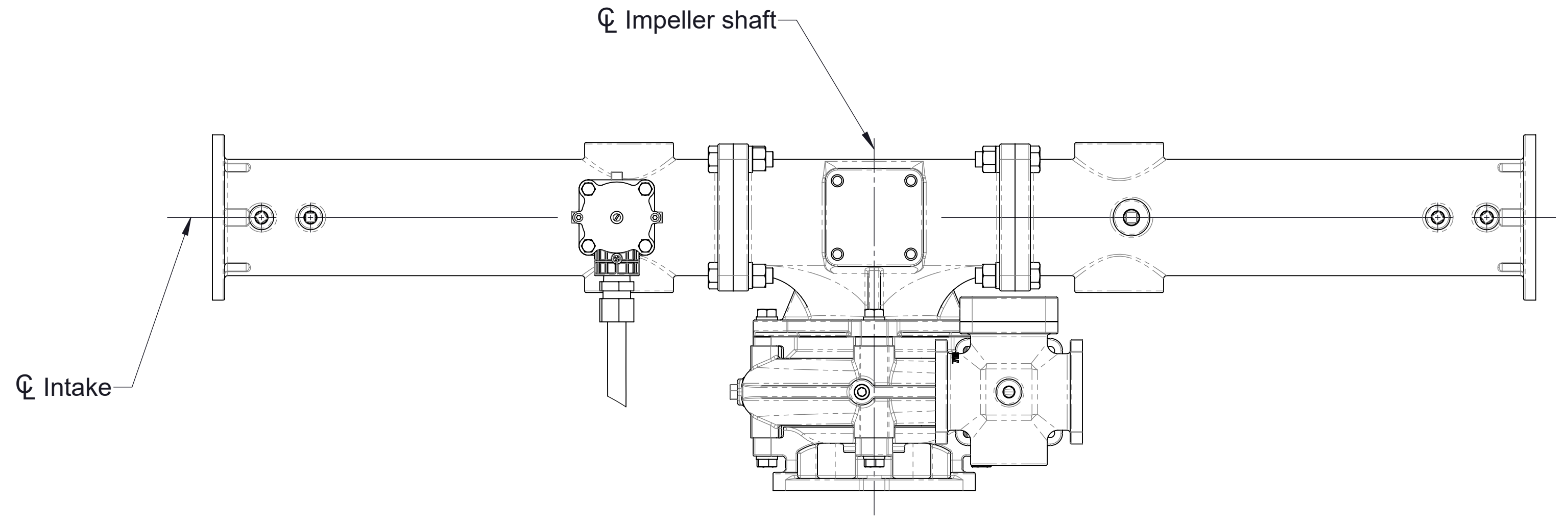


Pump Models: CM, CMU, CMH, CMUH

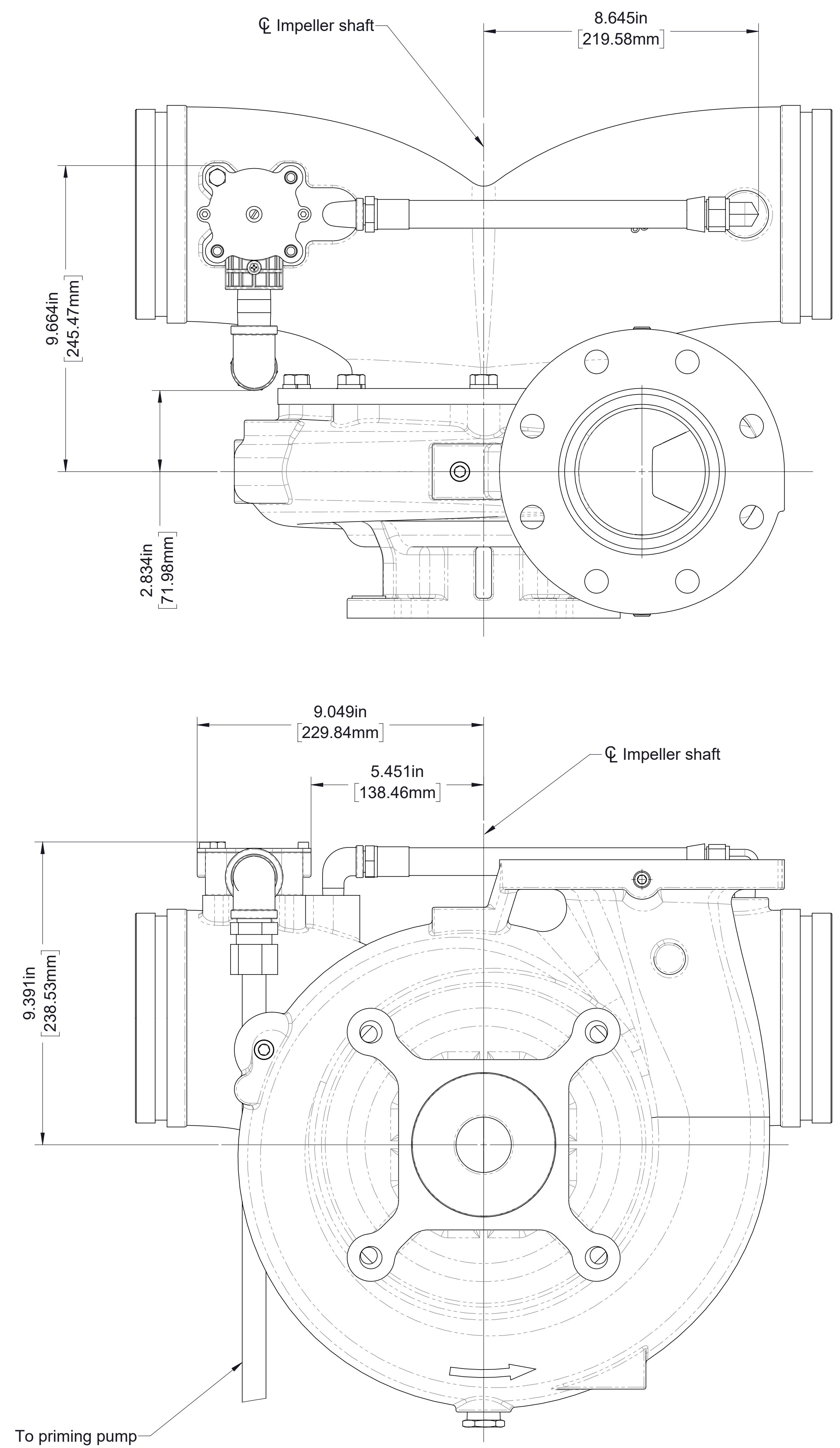
Pump Models: CS, CSU, CSH, CSUH



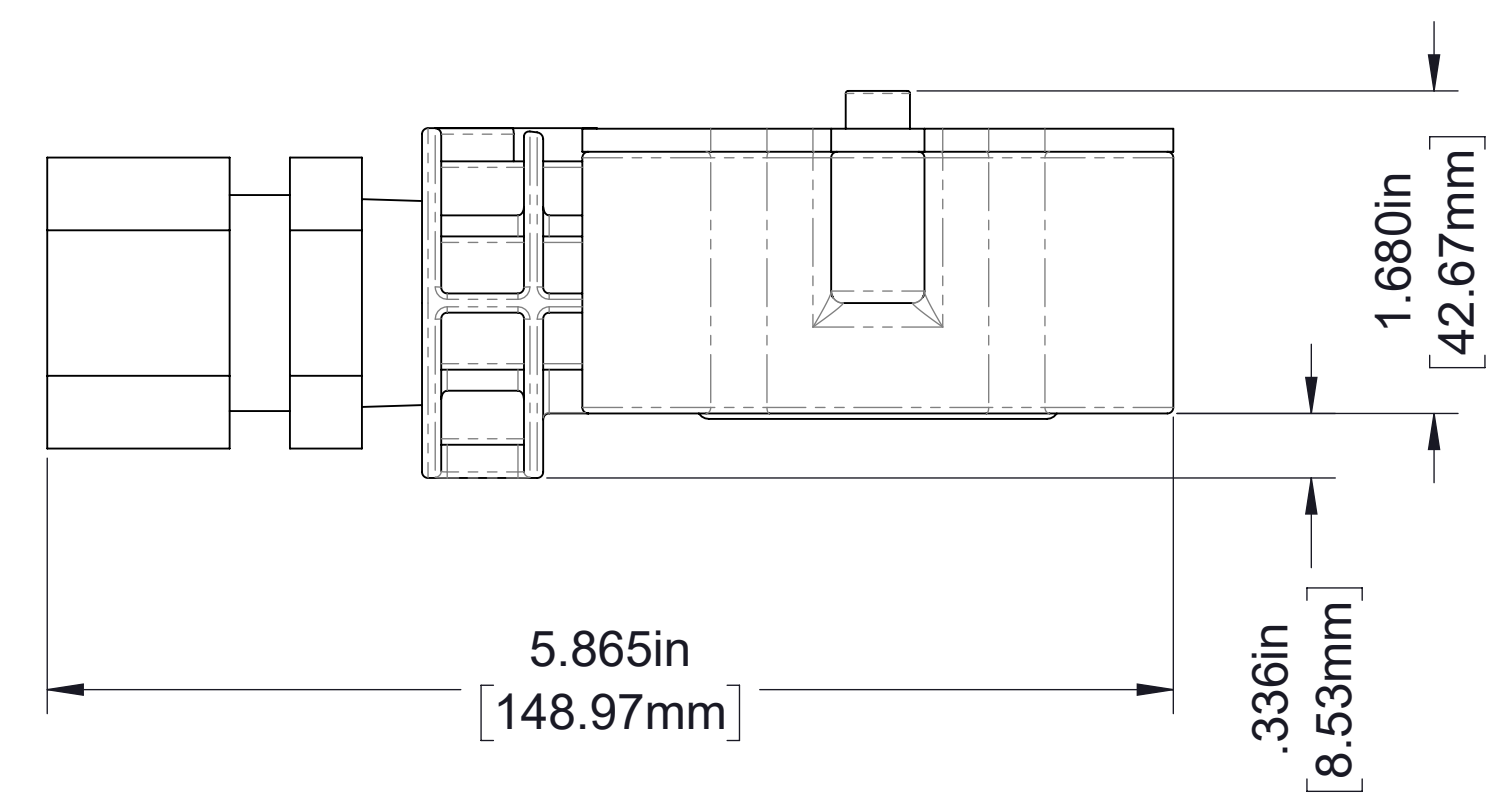
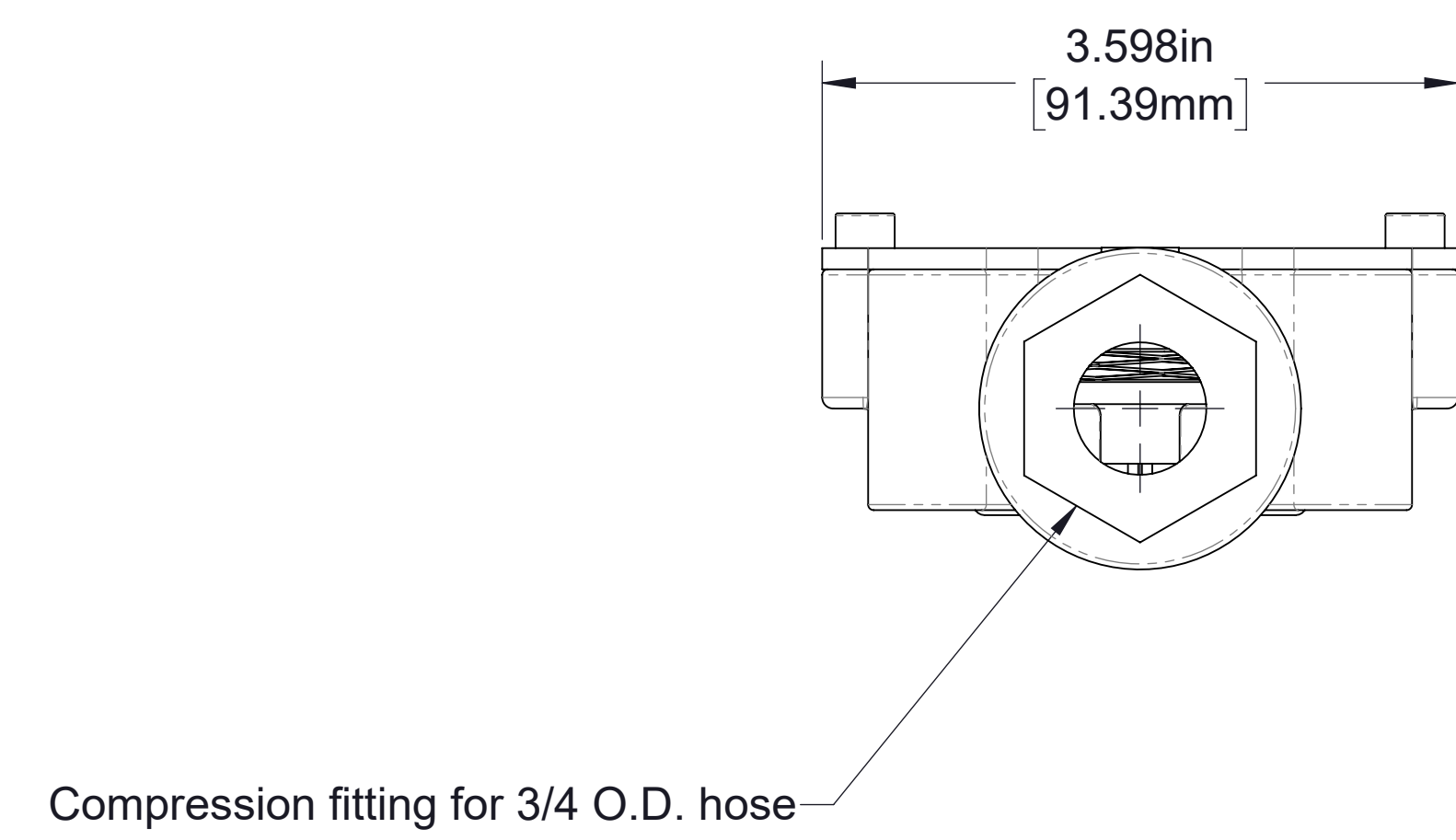
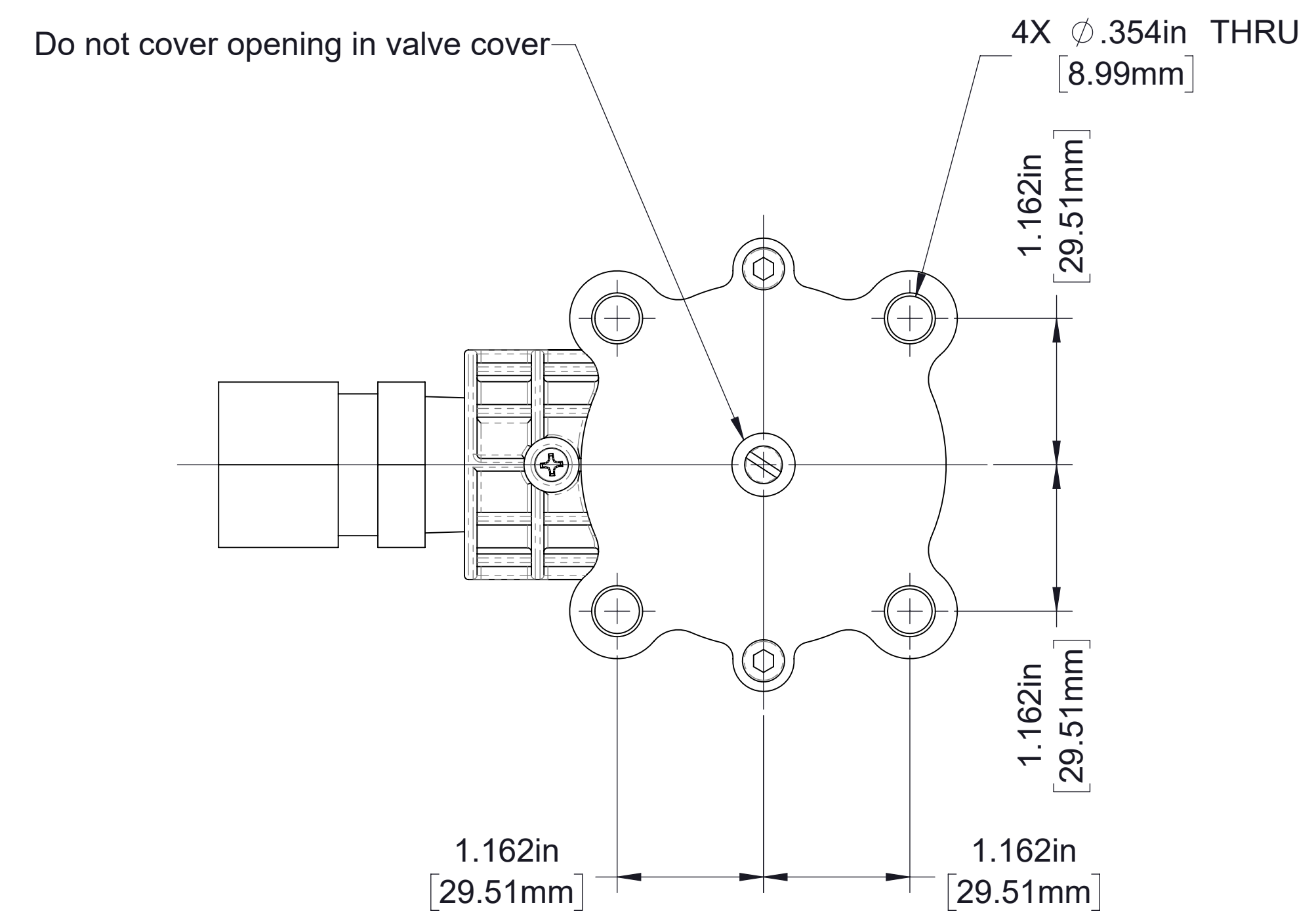
**Pump Model: CGVG**



**Pump Model: CLS**

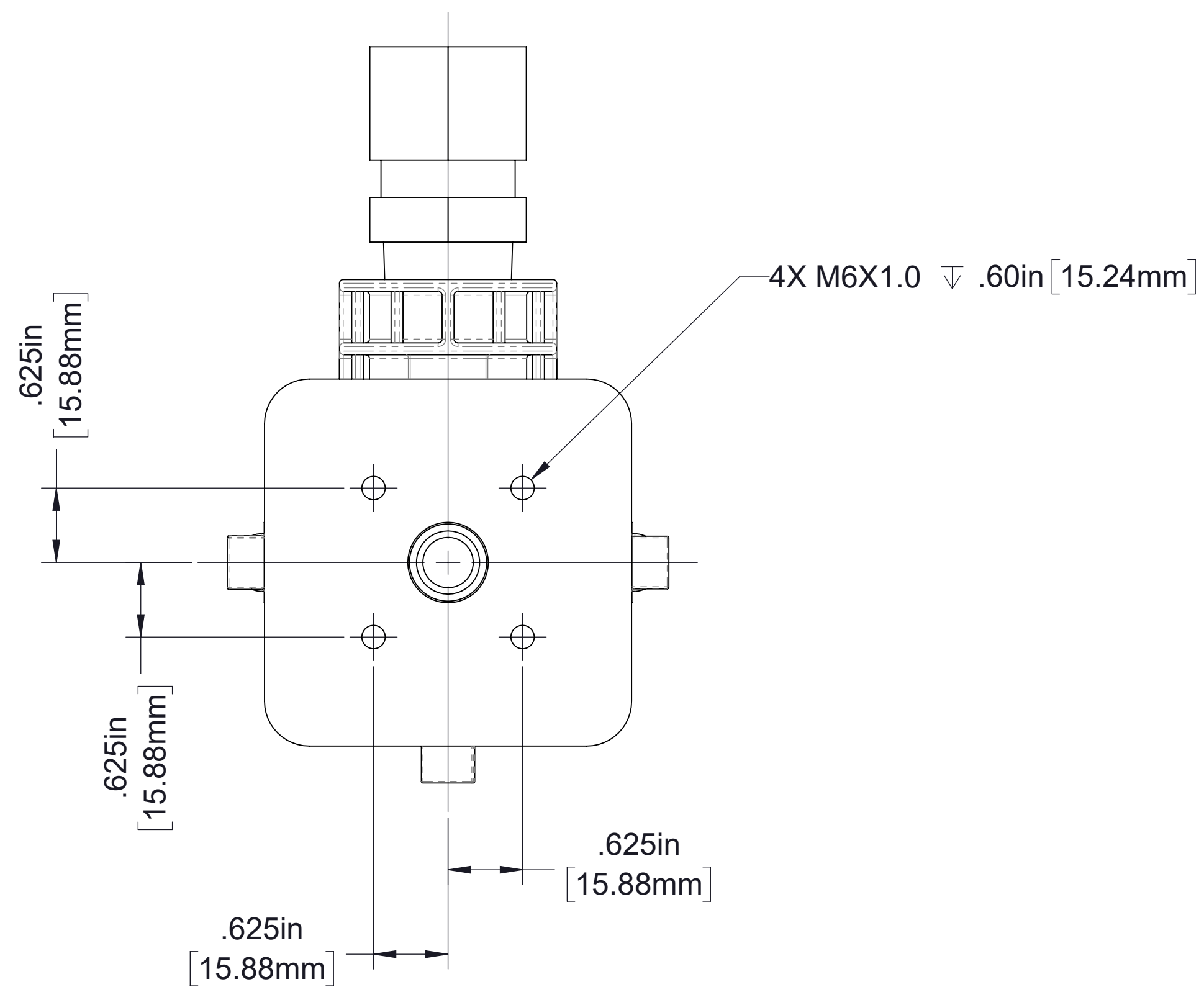
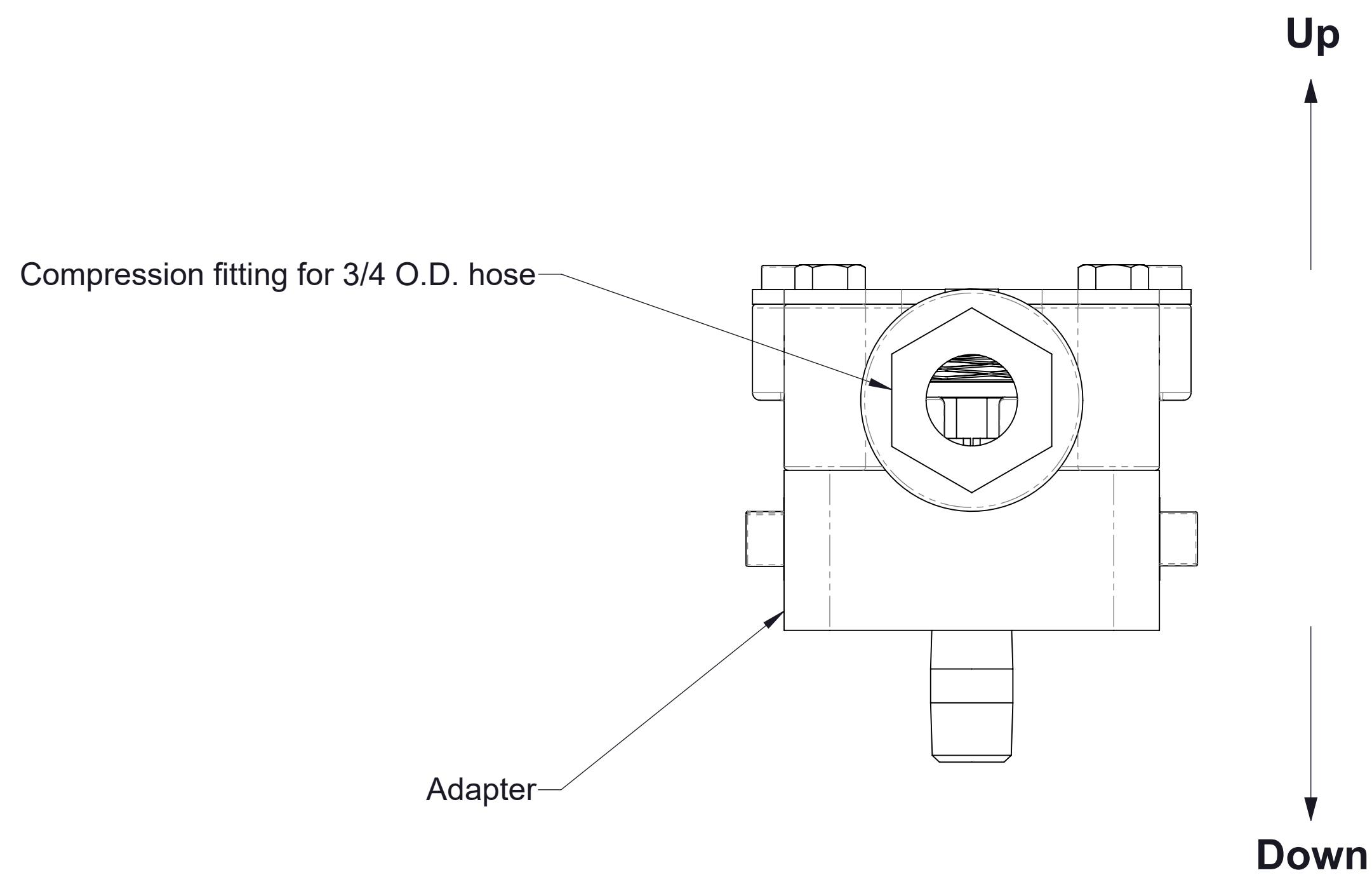


**Pump Model: CXS**

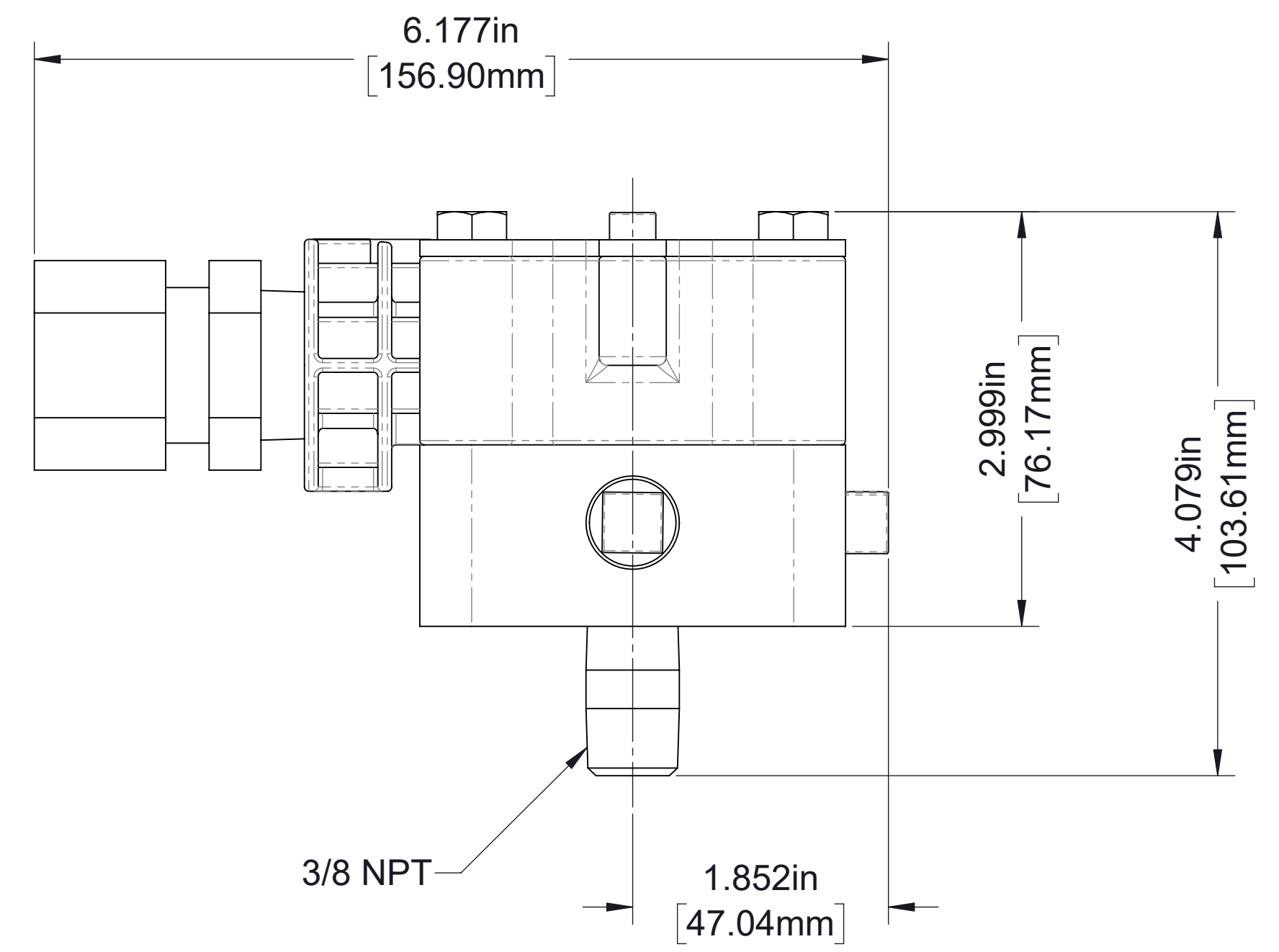
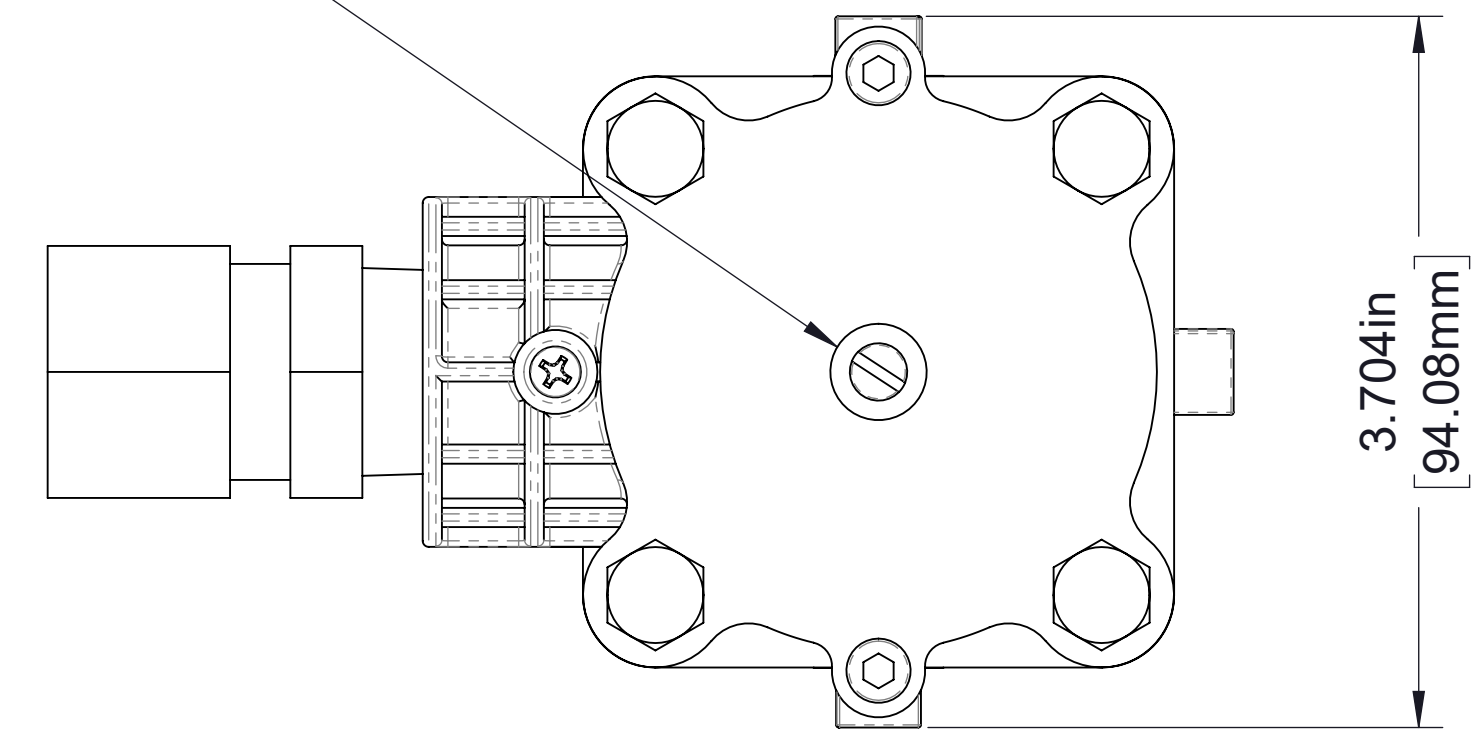


**Dimensions of Pump Mounted Valves**  
(Mounted by Waterous)

Note:  
 1. VAP priming valve must be mounted in a level position with adapter facing down to prevent water from being trapped in the valve.



Do not cover opening in valve cover



**Dimensions of Valves Mounted by the OEM**  
 (Shipped Loose by Waterous)