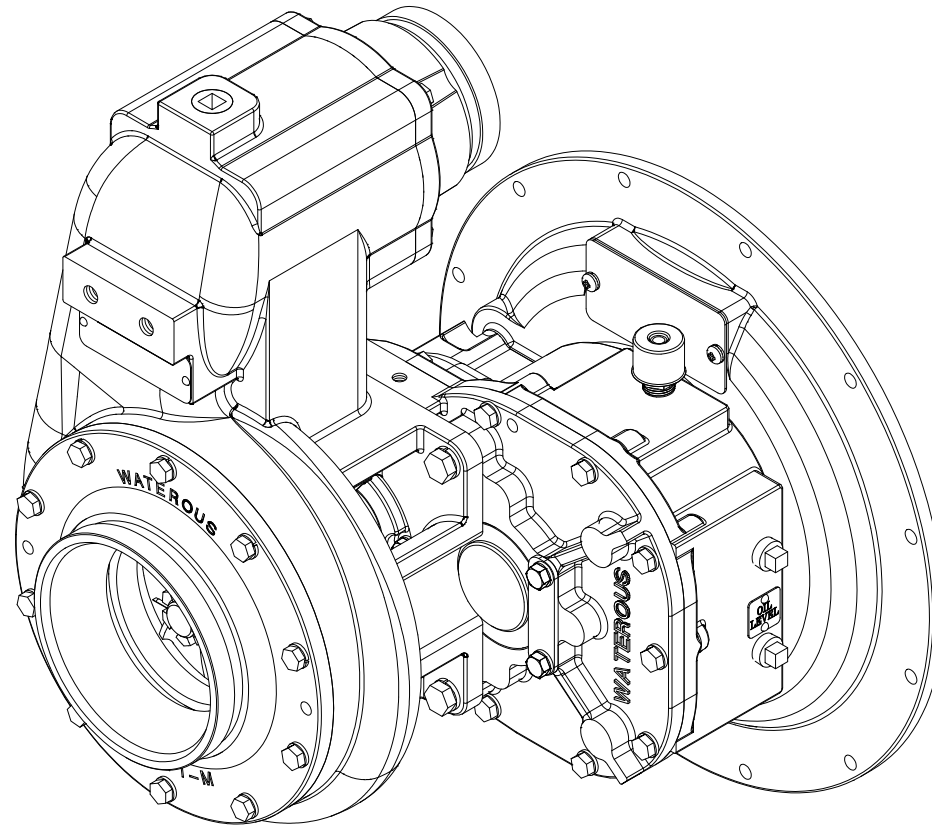
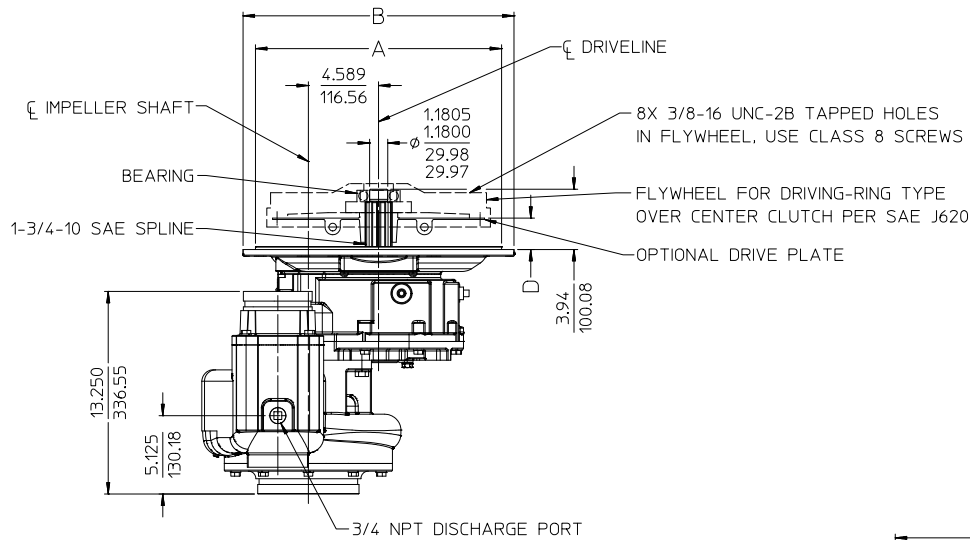




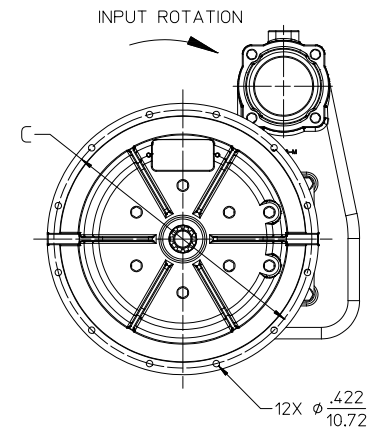
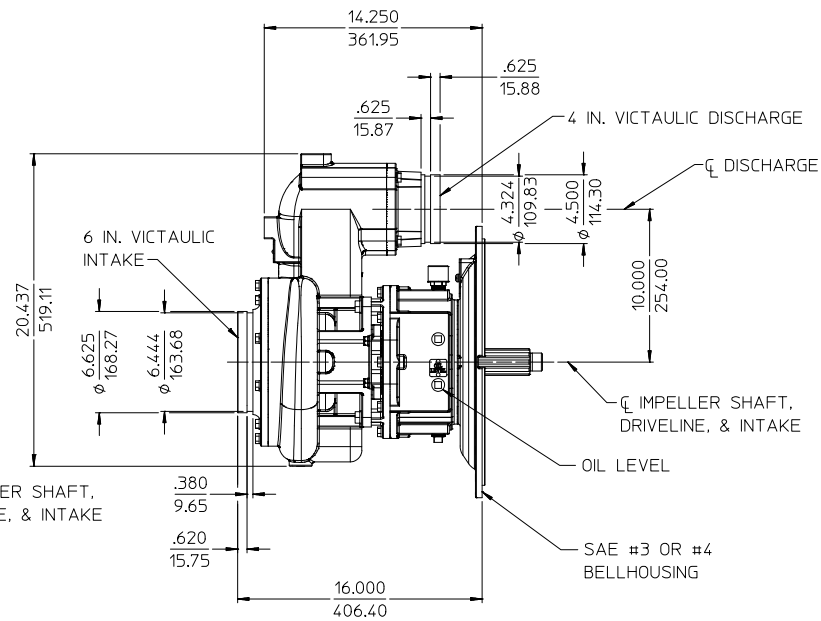
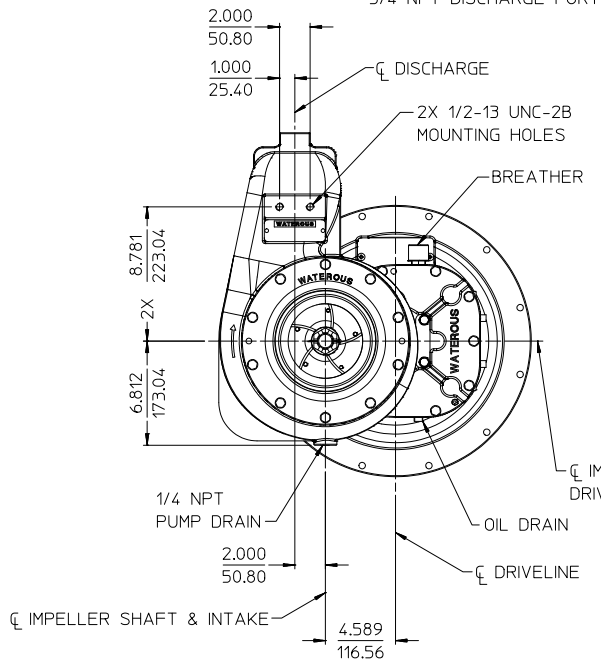
Document Number	Issue Date	Rev. Date
DPL 83304	05/01/13	

Dimensional Drawings for RF600T Self-Priming Pump





SIZE	SAE BELLHOUSING			SAE FLYWHEEL		OPTIONAL DRIVE PLATE	
	A	B	C	CLUTCH NUMBER	D	PART NUMBER	TORQUE RATING
3	16.125 409.58	17.750 450.85	16.875 428.63	10	2.12 53.85	V 2462	850 FT-LB 1152.6 JOULES
4	14.250 361.95	15.875 403.23	15.000 381.00				
3	16.125 409.58	17.750 450.85	16.875 428.63	11-1/2	1.56 39.62	V 2463	



ALL DIMENSIONS SHOWN AS INCH/MILLIMETER

$\left(\frac{\text{INCH}}{\text{MILLIMETER}} \right)$

RF600T

TWO-GEAR WITHOUT HYDRAULIC CLUTCH, DIRECT ENGINE MOUNT