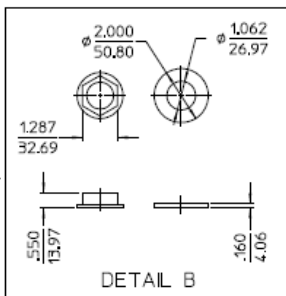
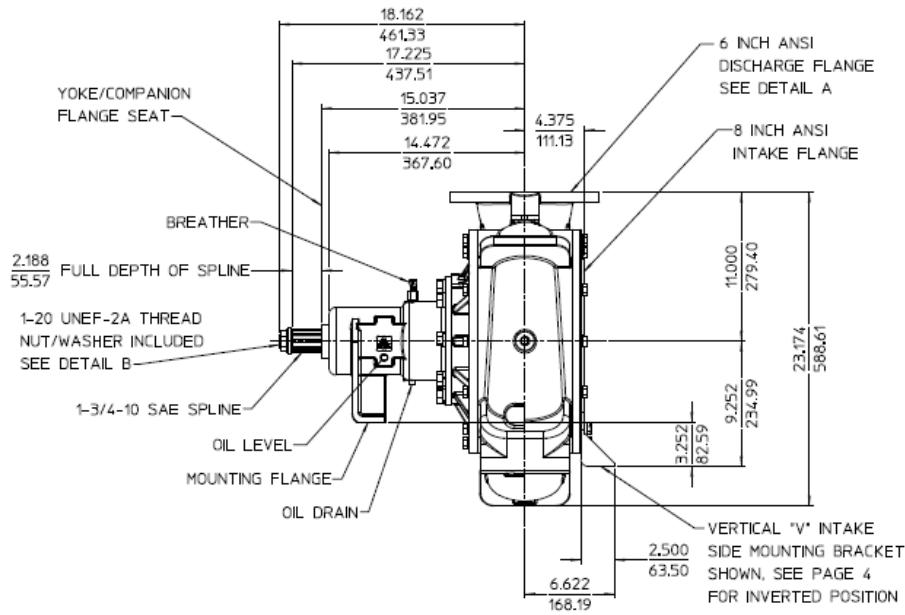


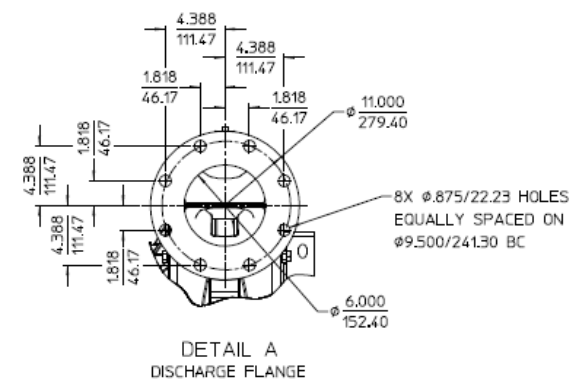
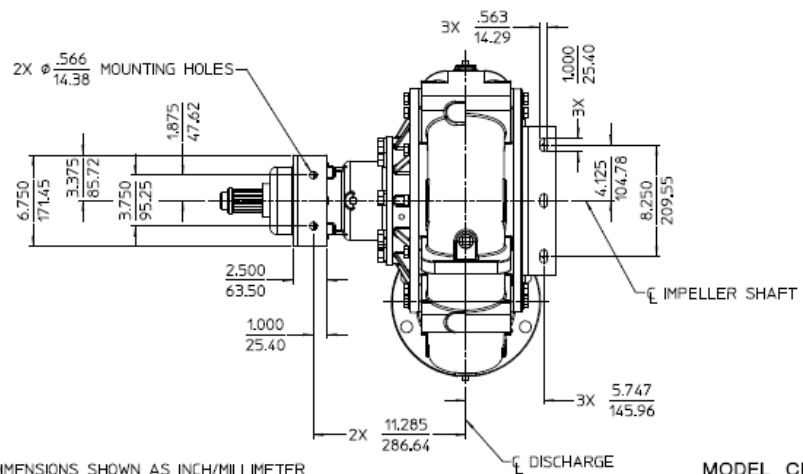
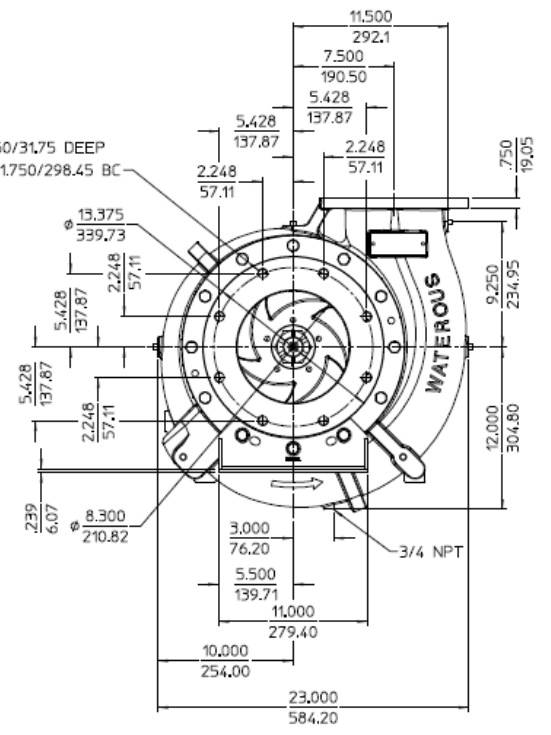
Model CRU-2 (Direct Drive) Dimensional Drawings

Index:

Input Rotation	Impeller Rotation	See Page			
		Basic Pump Dimensions	Available Mounting Bracket Positions	Available Pump Discharge Positions	Ordering Information
CW	CCW	2	4	5	5
CCW	CW	3	4	5	5

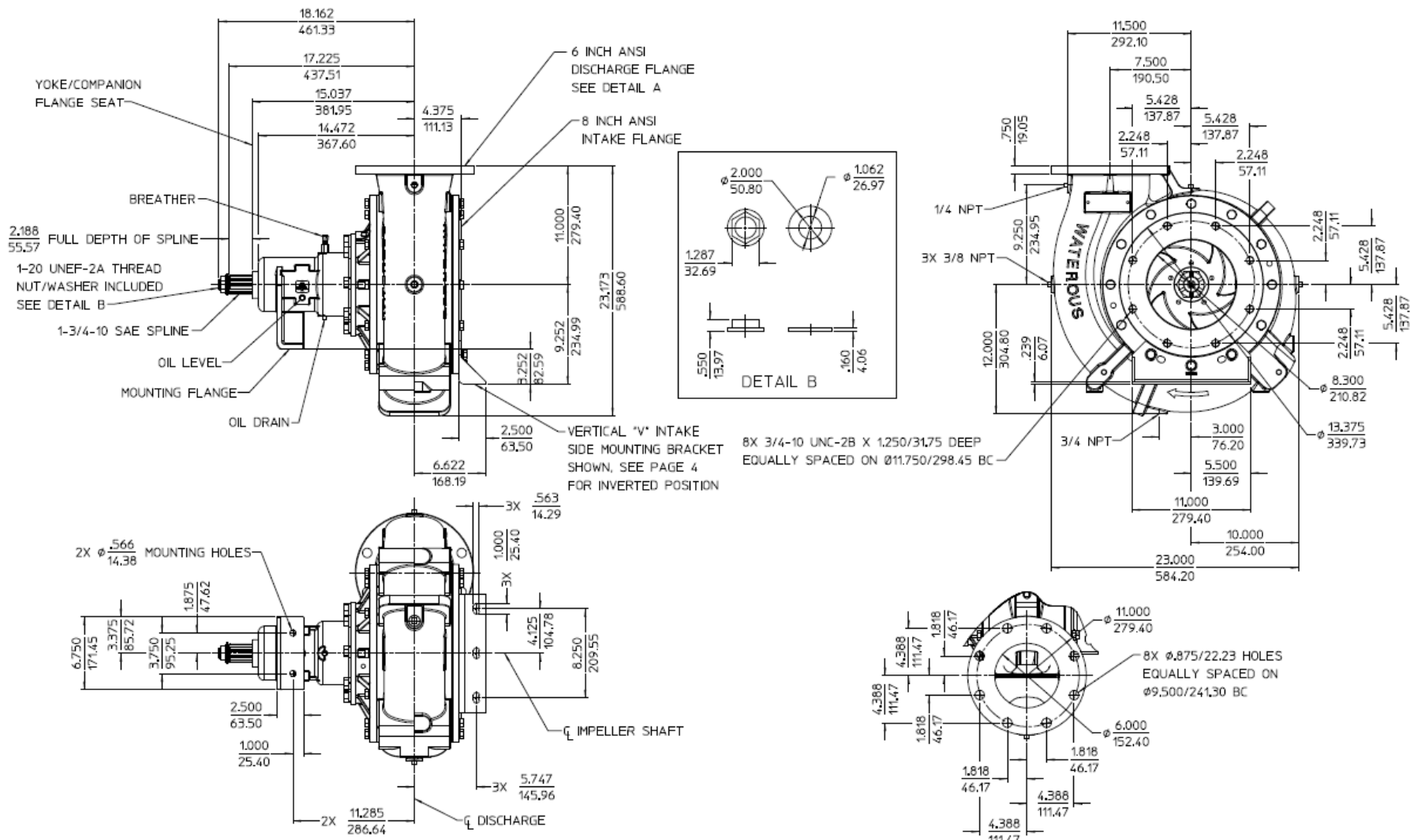


8X 3/4-10 UNC-2B X 1.250/31.75 DEEP
EQUALLY SPACED ON Ø11.750/298.45 BC



ALL DIMENSIONS SHOWN AS INCH/MILLIMETER
(INCH / MILLIMETER)

MODEL CRU-2 DIRECT DRIVE
CW INPUT
UP (FIGURE 2) DISCHARGE POSITION SHOWN
VERTICAL BEARING HOUSING BRACKET POSITION SHOWN



ALL DIMENSIONS SHOWN AS INCH/MILLIMETER

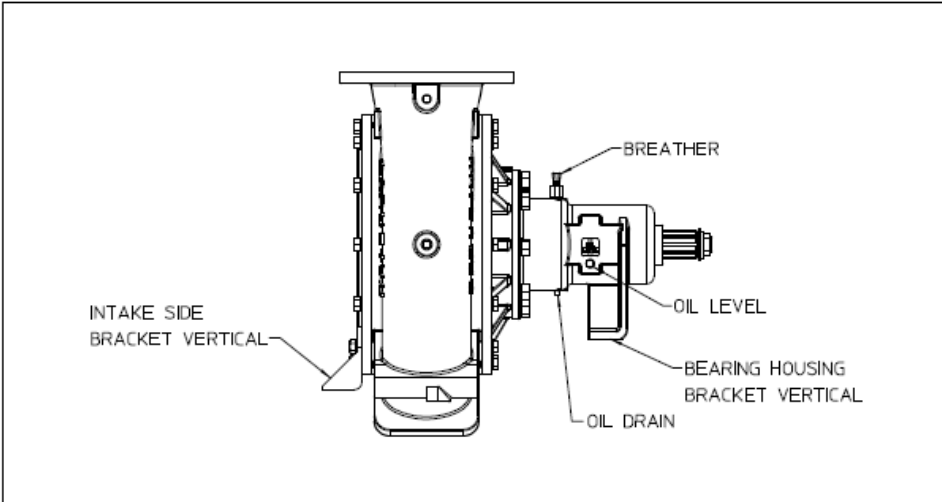
($\frac{\text{INCH}}{\text{MILLIMETER}}$)

MODEL CRU-2 DIRECT DRIVE

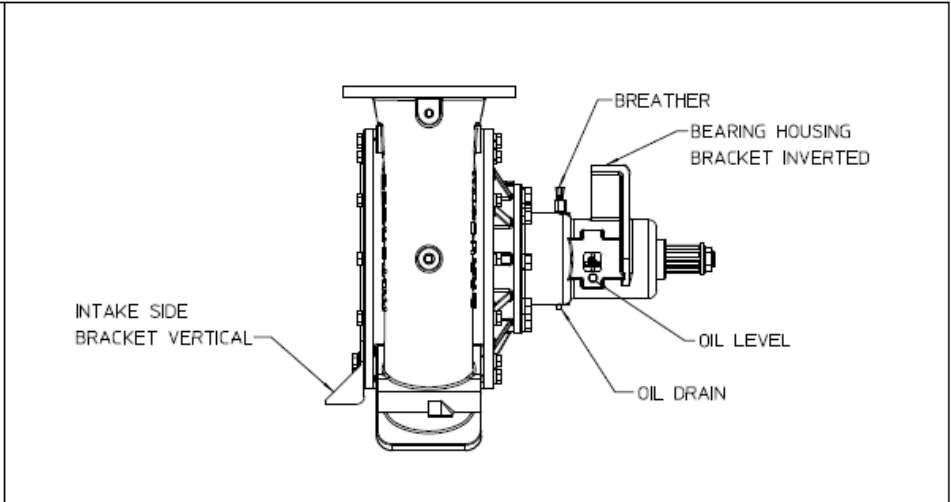
CCW INPUT

UP (FIGURE 6) DISCHARGE POSITION SHOWN

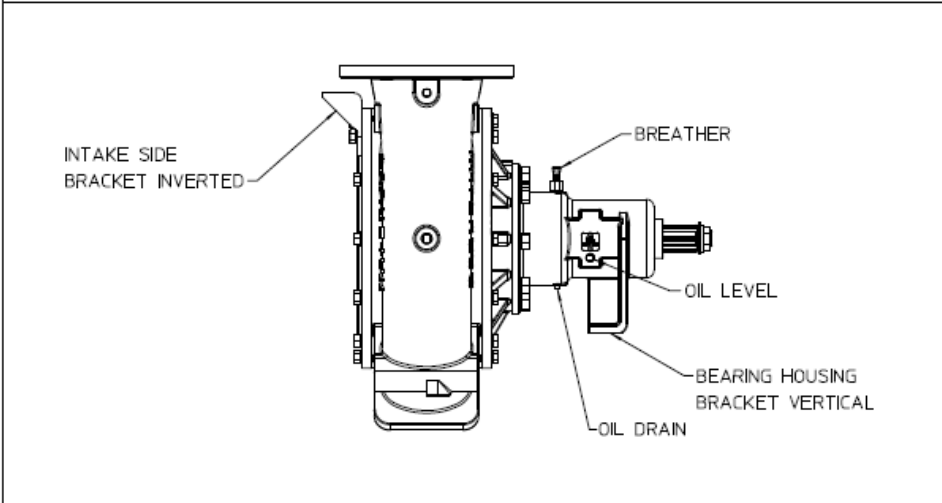
VERTICAL BEARING HOUSING BRACKET POSITION SHOWN



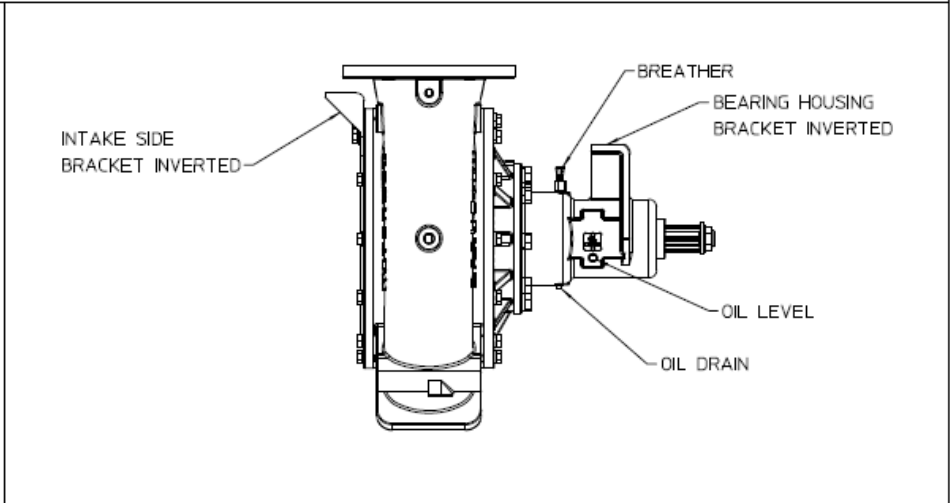
VV VERTICAL/VERTICAL



VU VERTICAL/INVERTED



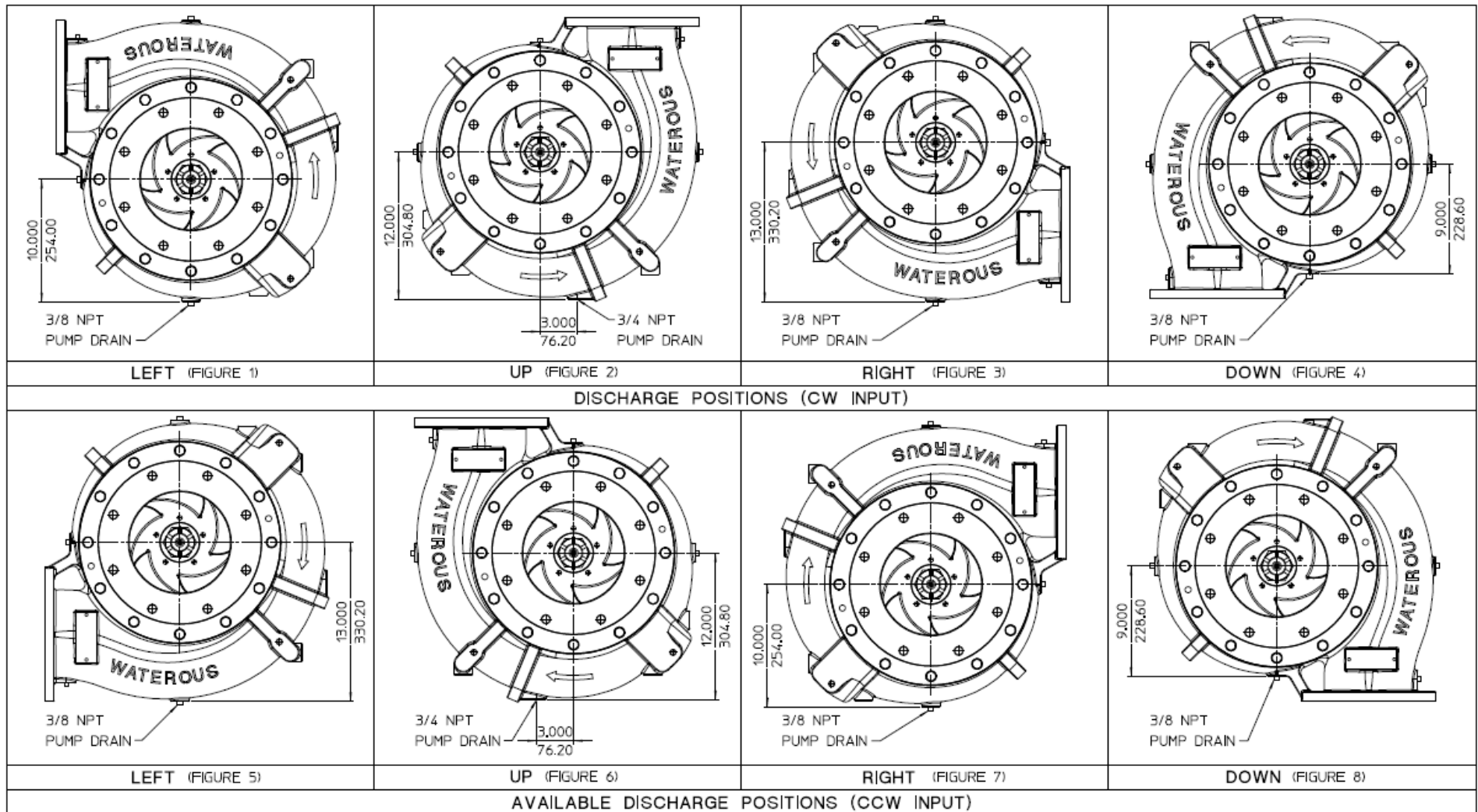
UV INVERTED/VERTICAL



UU INVERTED/INVERTED

AVAILABLE MOUNTING BRACKET POSITIONS

NOTE: FIRST LETTER IDENTIFIES INTAKE SIDE BRACKET MOUNTING
 SECOND LETTER IDENTIFIES BEARING HOUSING BRACKET MOUNTING



NOTE: POSITIONS ARE DEFINED AS VIEWED LOOKING AT INTAKE END OF PUMP.

ORDERING INFORMATION

WHEN ORDERING FURNISH THE FOLLOWING INFORMATION:

1. PUMP MODEL: CRU-2 DIRECT DRIVE
2. INPUT ROTATION: CLOCKWISE (CW) OR COUNTERCLOCKWISE (CCW)
3. INTAKE SIDE BRACKET POSITION: VERTICAL OR INVERTED.
4. BEARING HOUSING BRACKET POSITION: VERTICAL OR INVERTED.
5. DISCHARGE POSITION: LEFT, UP, RIGHT, OR DOWN