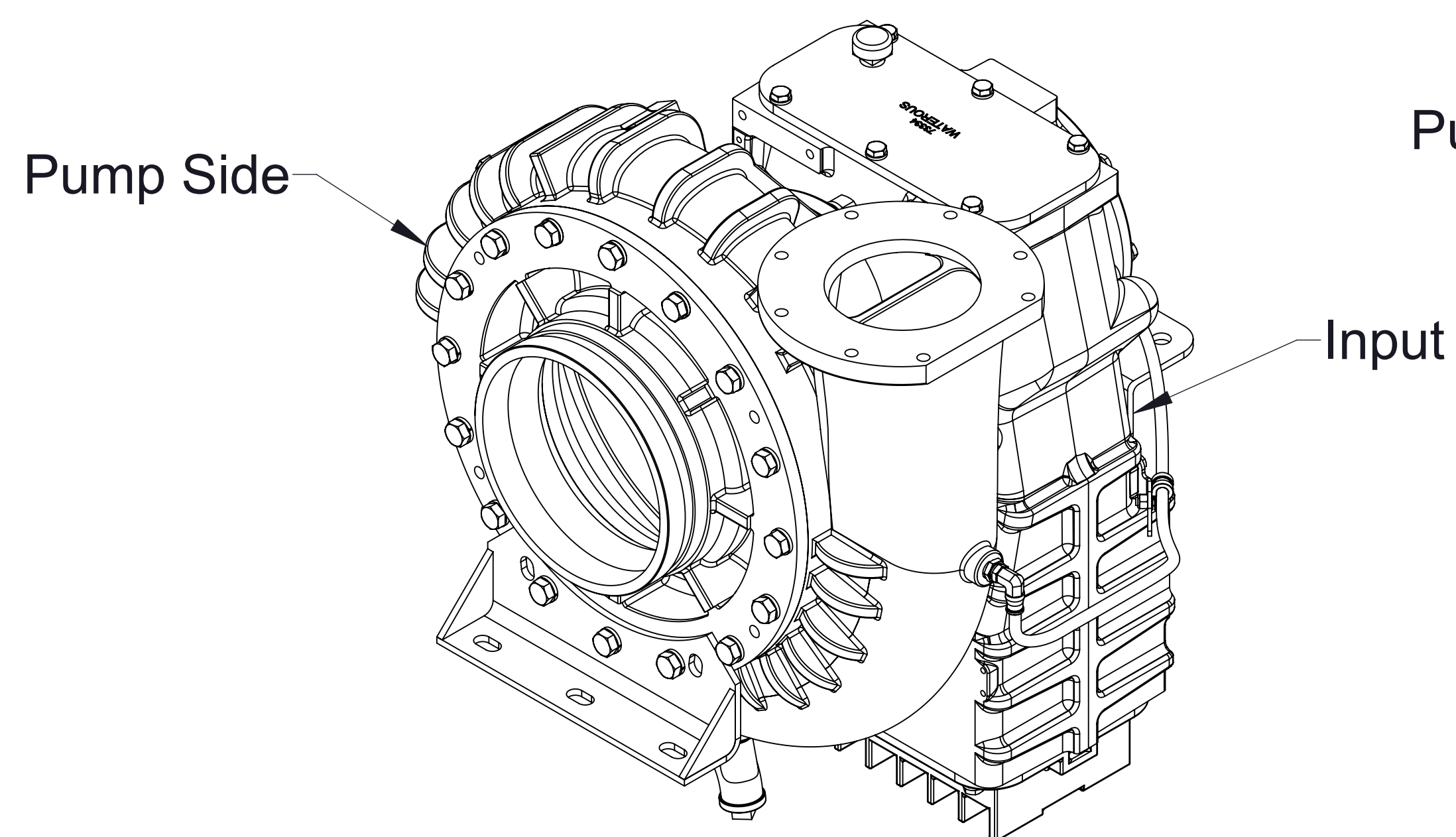
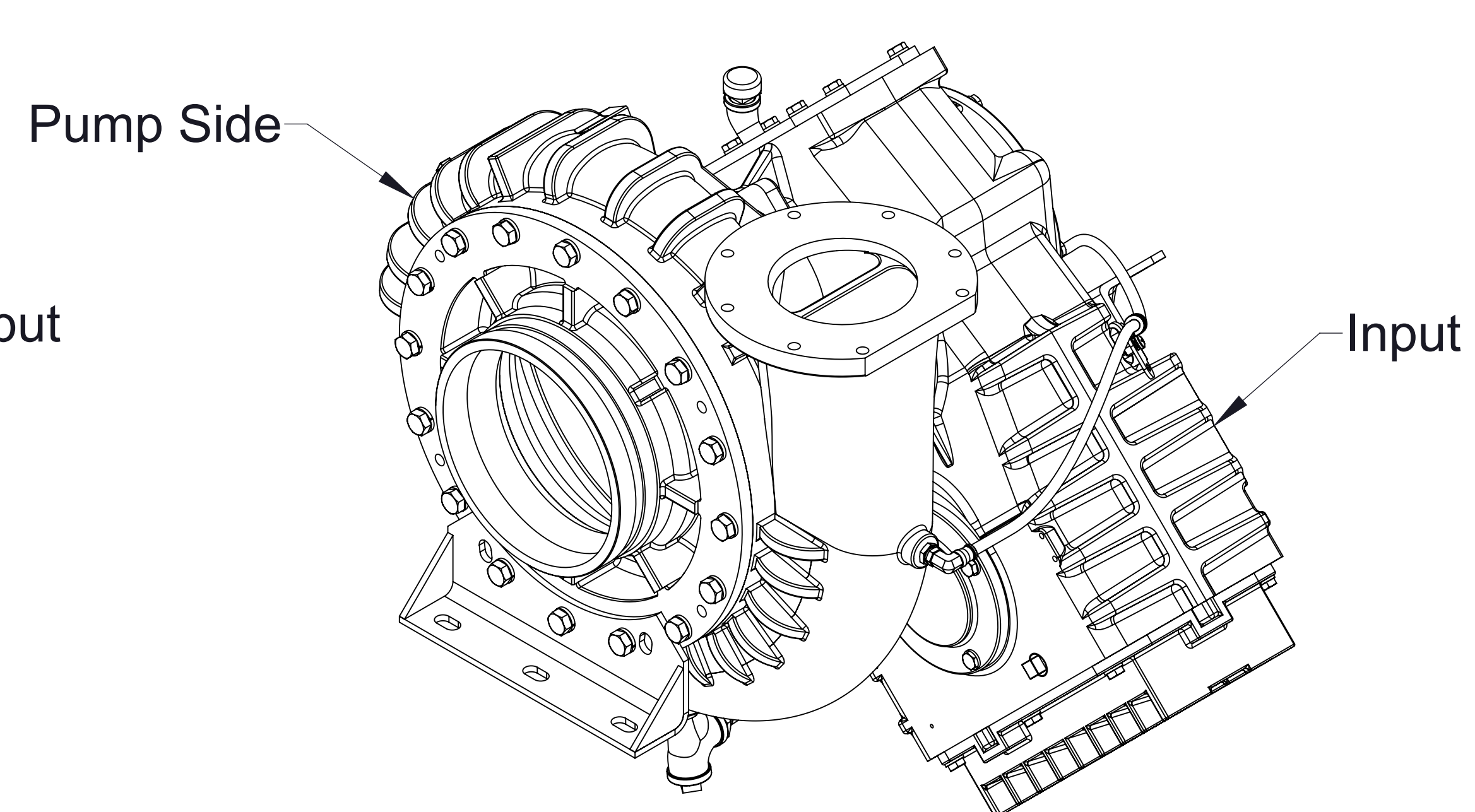


## Model CRQC Fire Pump Dimensional Drawings

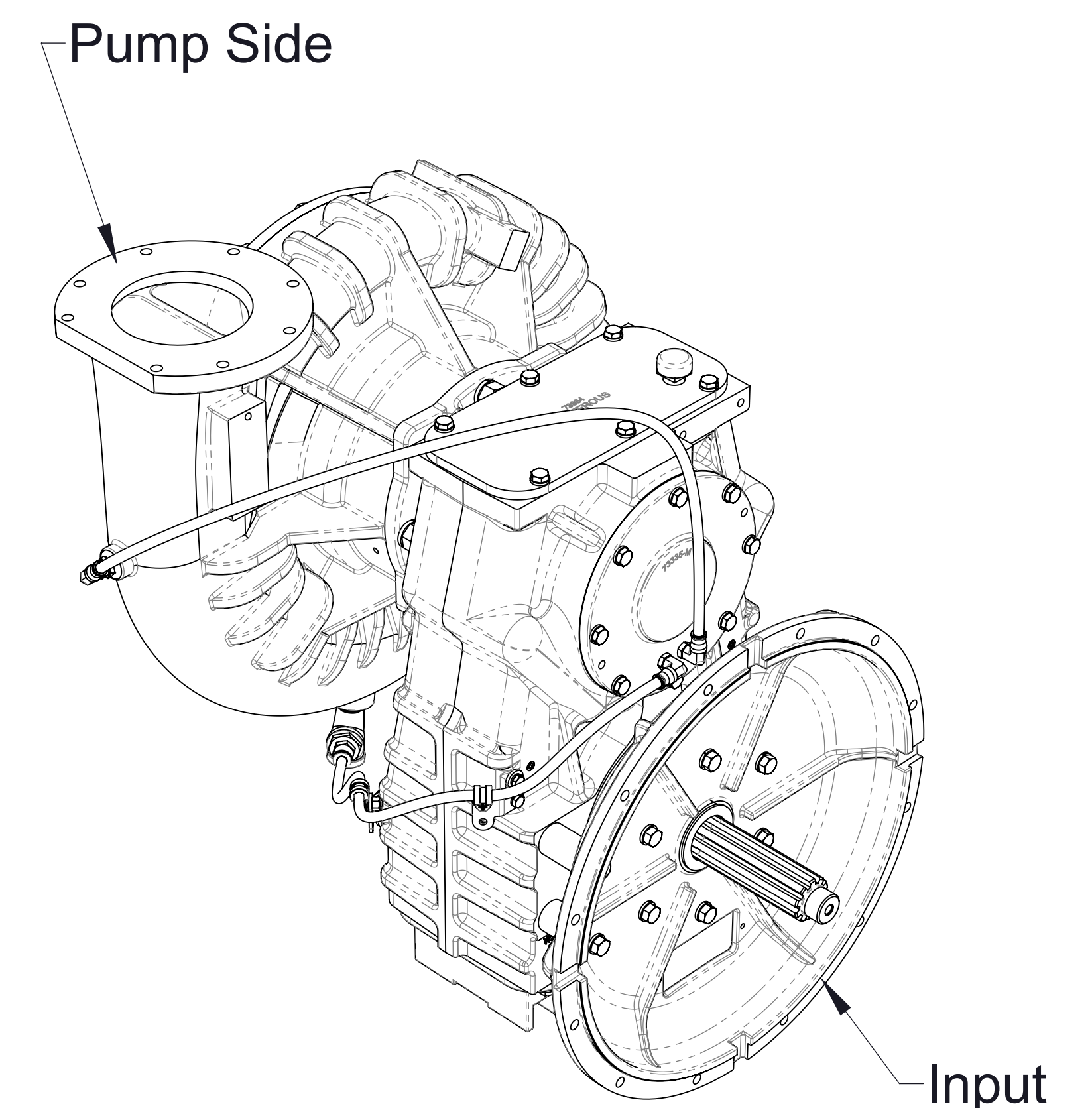
Feature		See Page
Input	Transmission Mounting Position	
Input (PTO Driven)	Vertical	2
	Rotated 45° Clockwise	3
Bellhousing Adapter Input (Direct Engine Mounted)	Vertical	4
	Inverted	5
Available Intake Side Mounting Bracket Positions, End Yokes and Companion Flanges		6



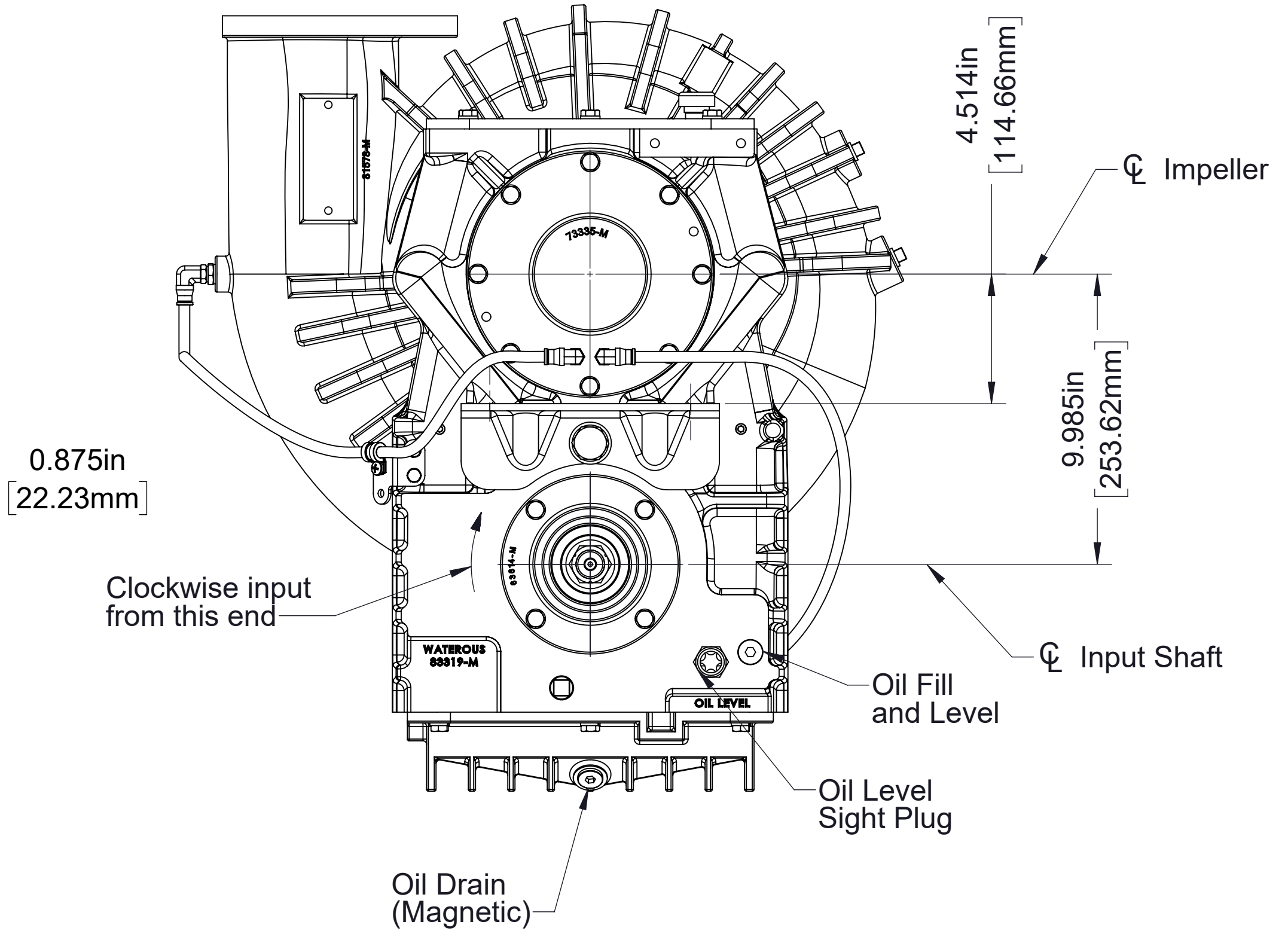
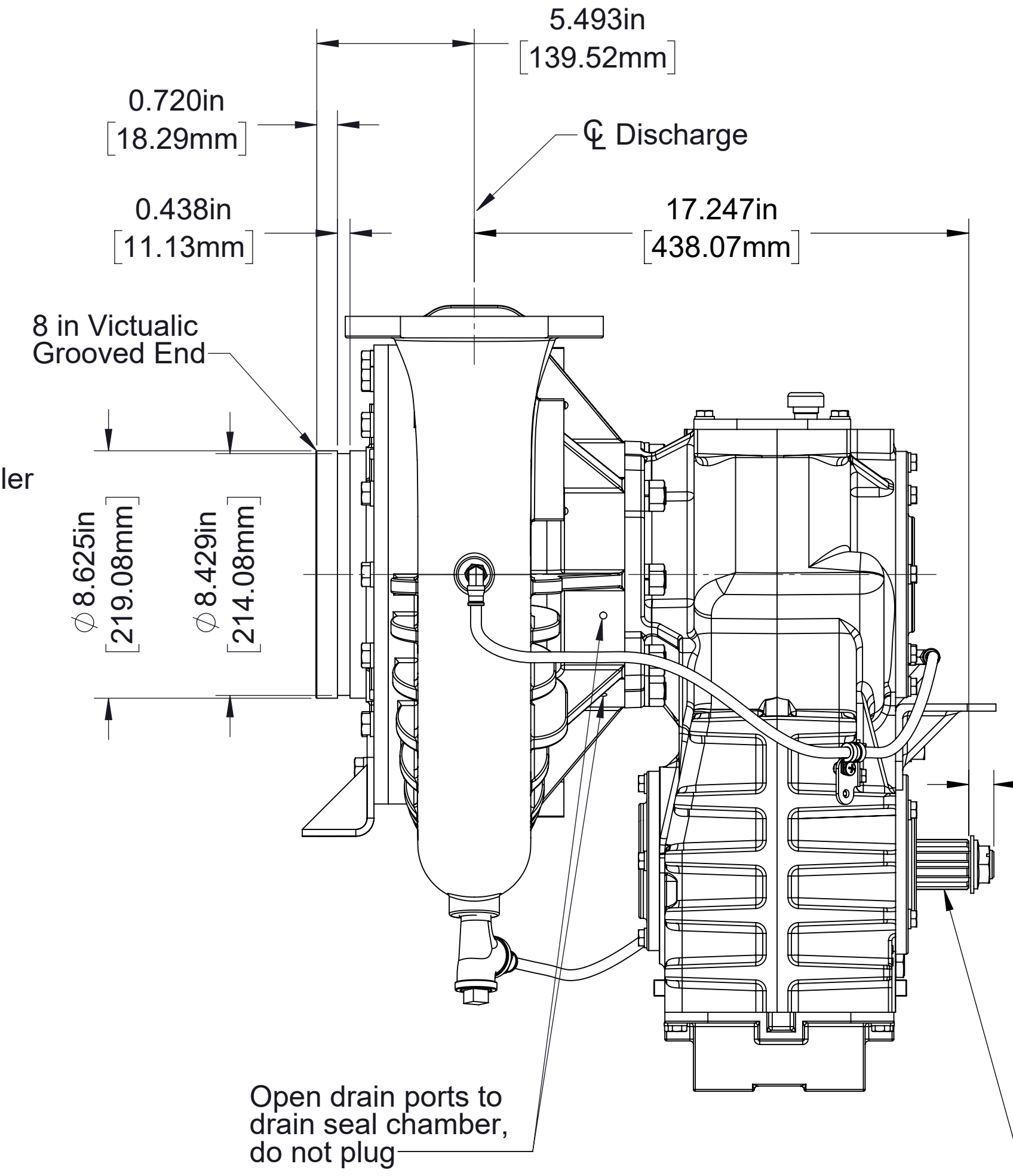
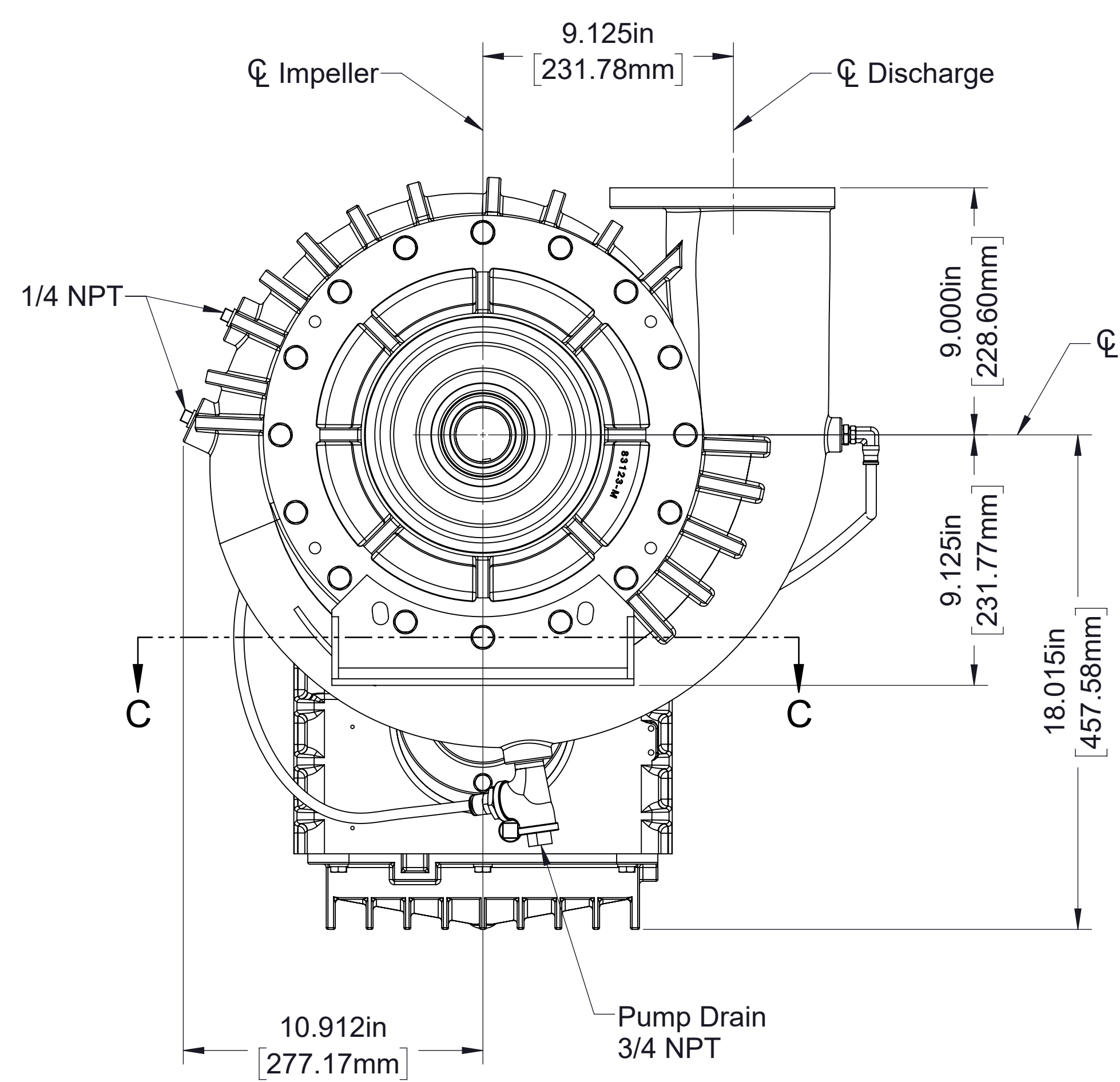
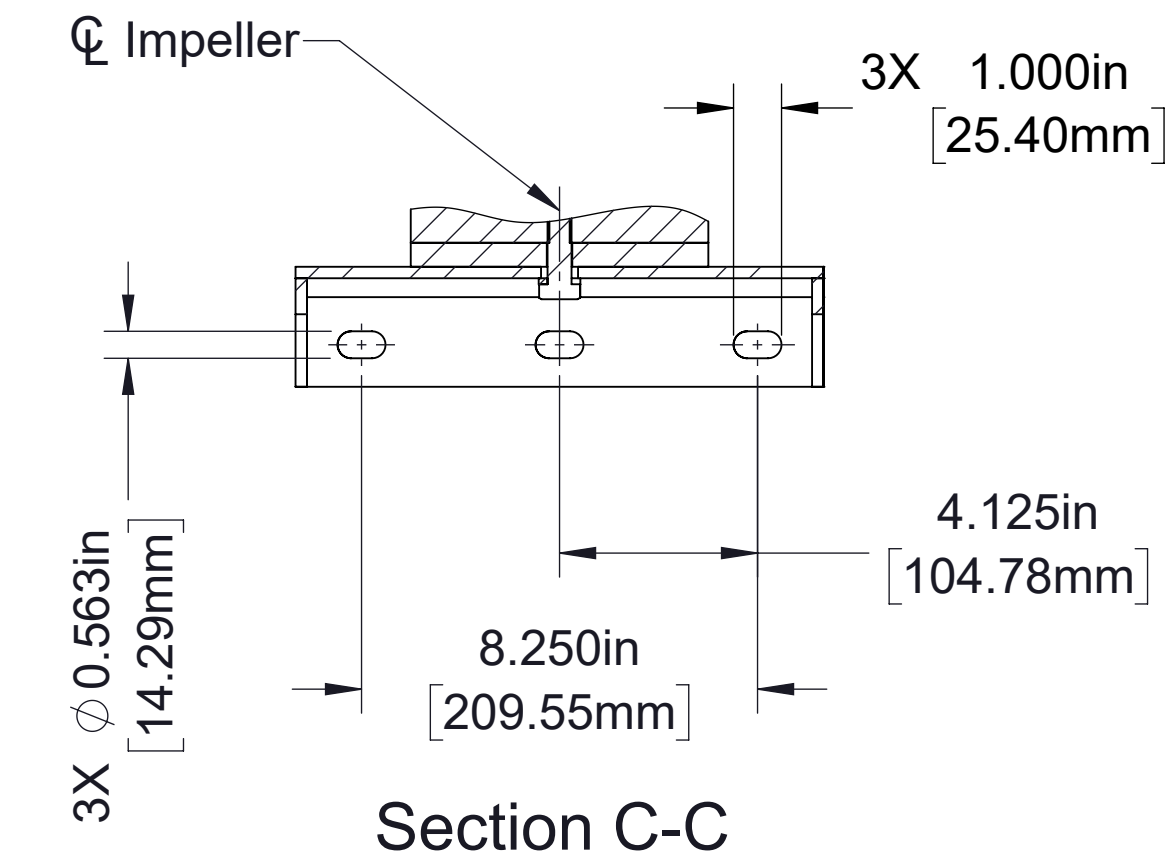
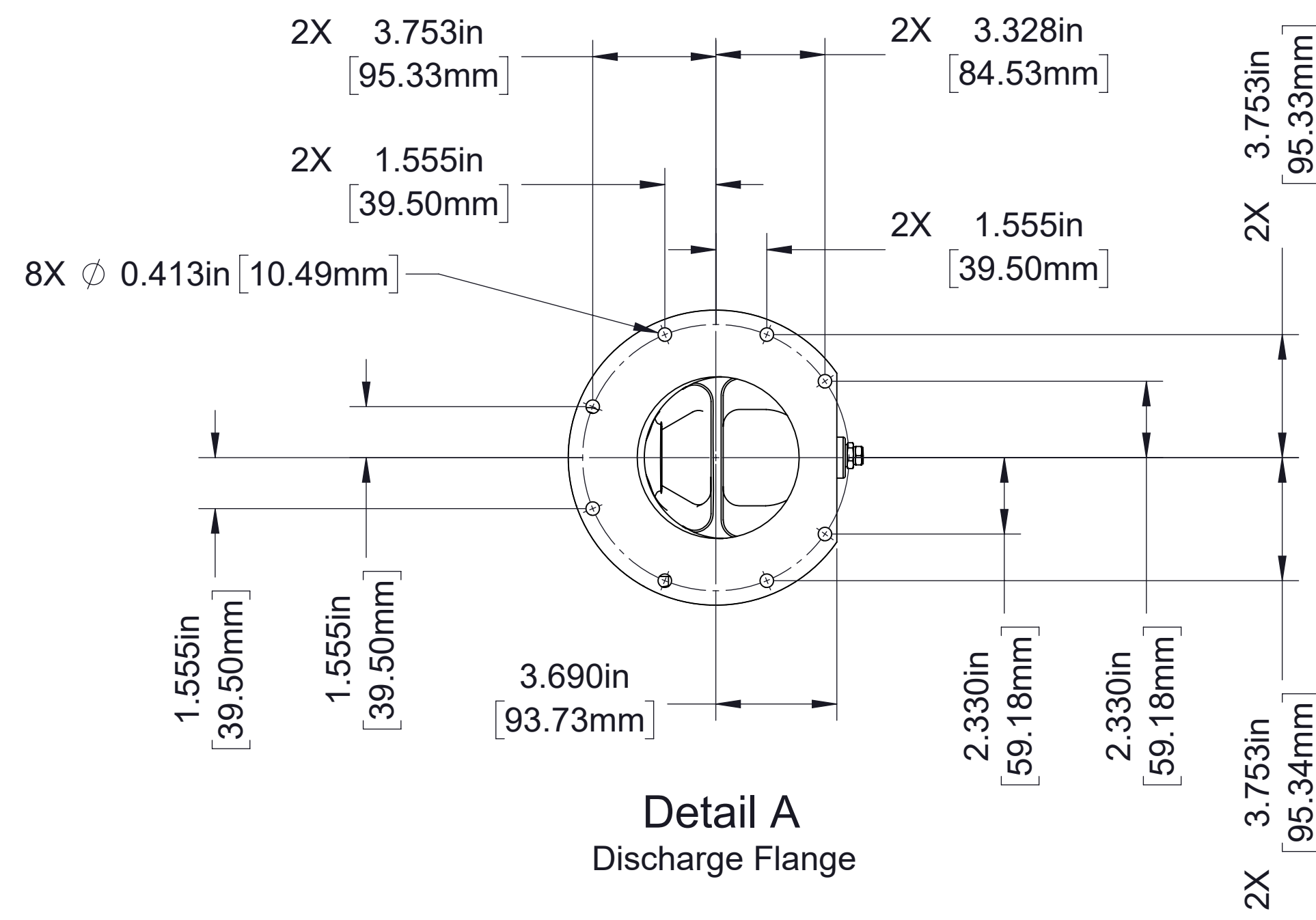
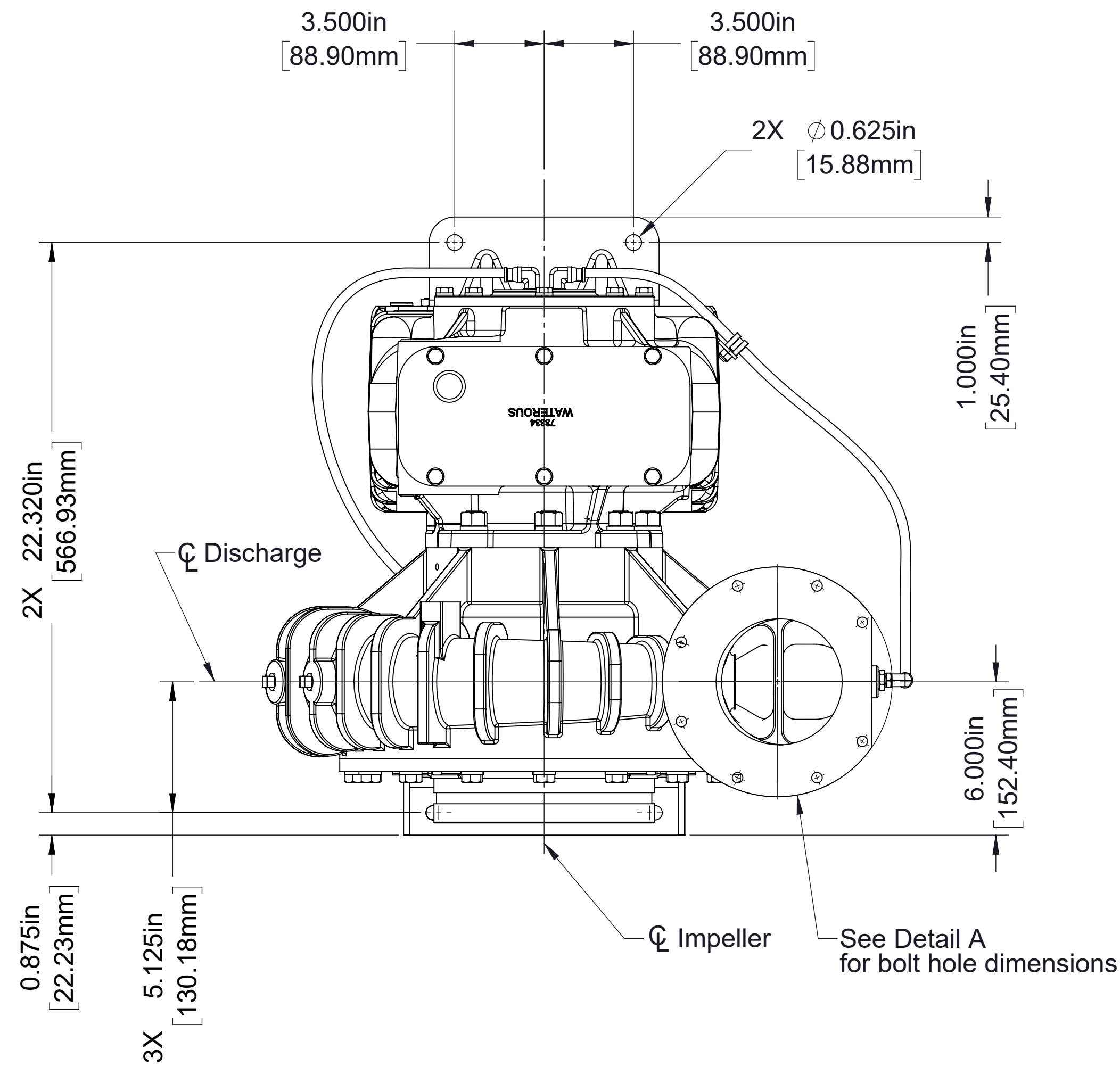
Vertical Transmission Position



Rotated 45° Clockwise  
Transmission Position

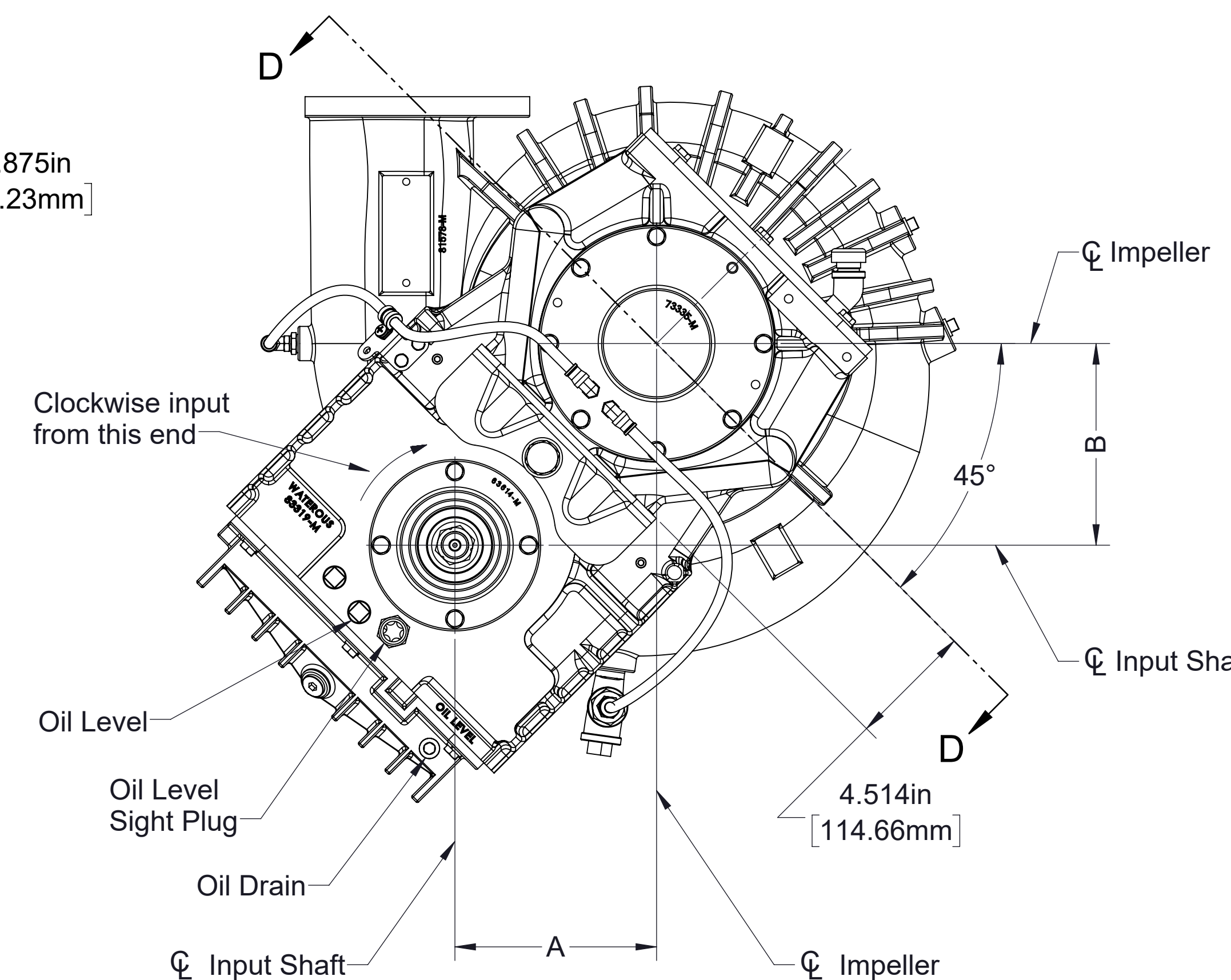
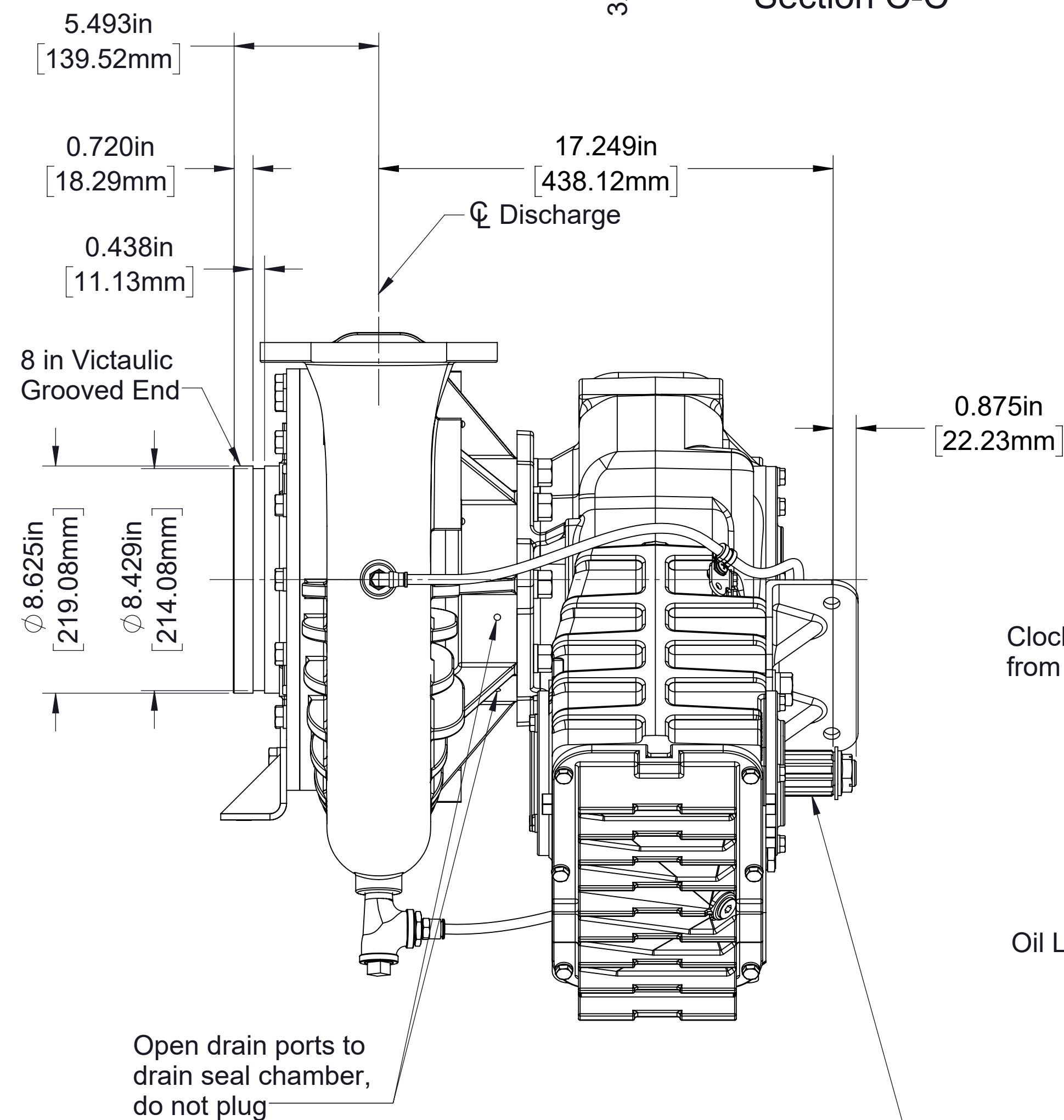
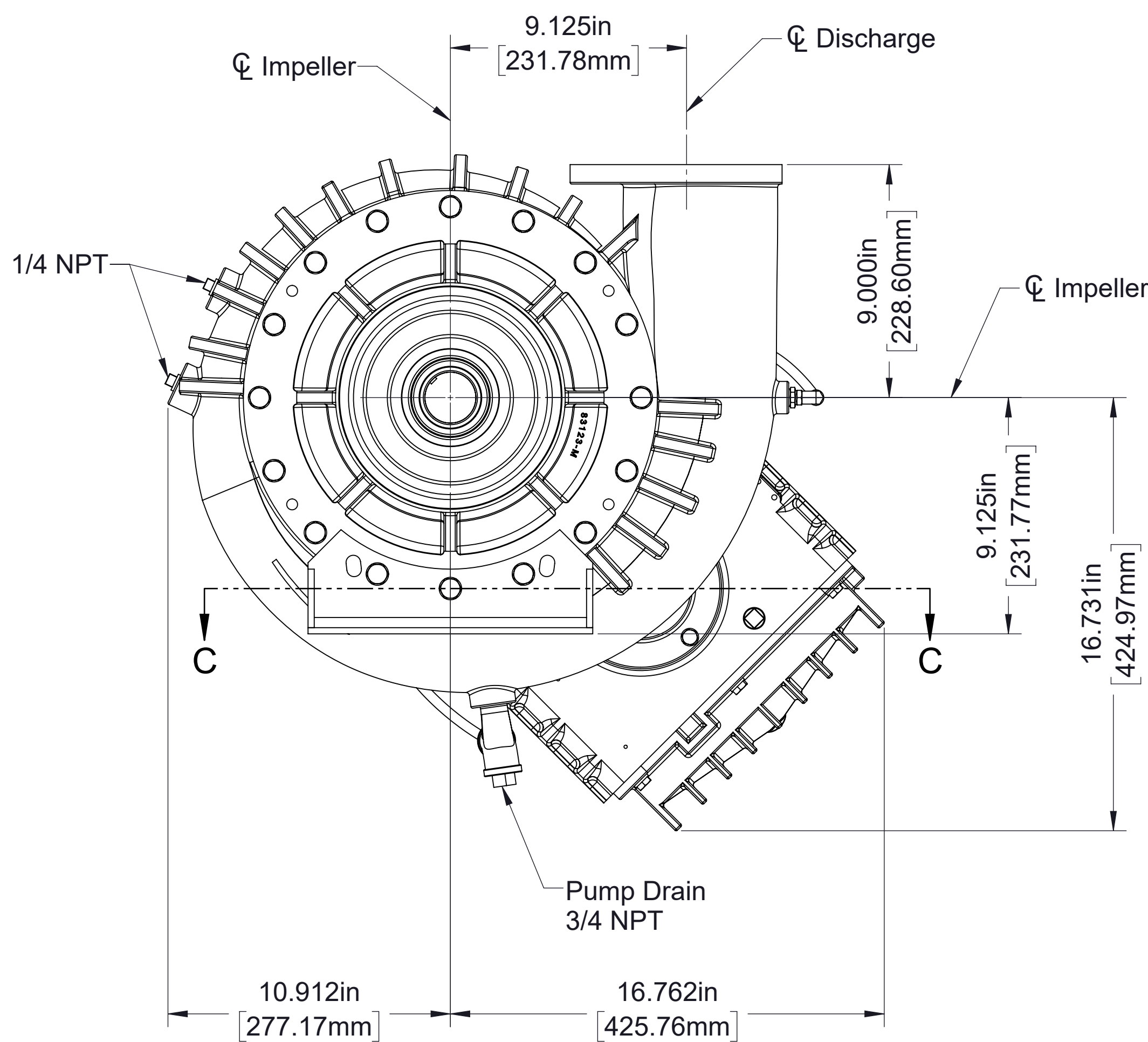
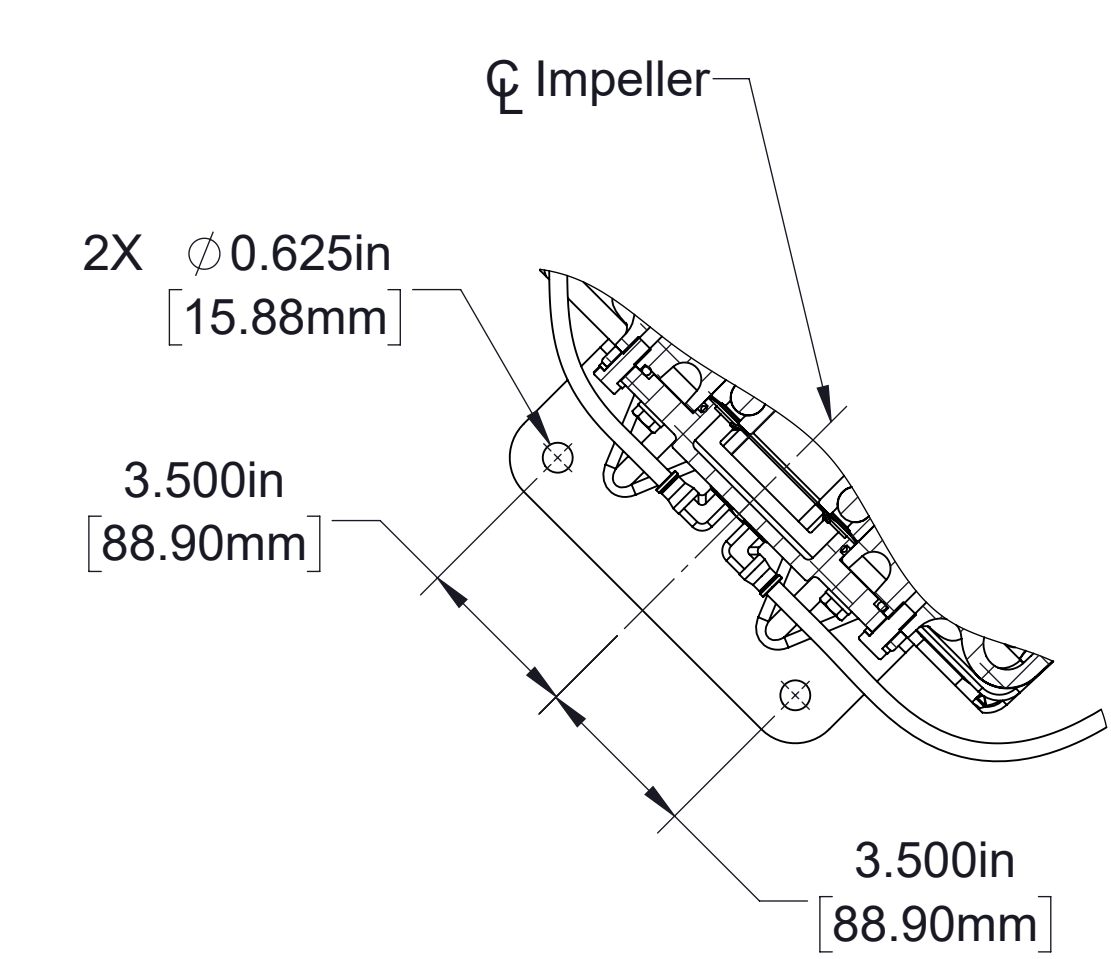
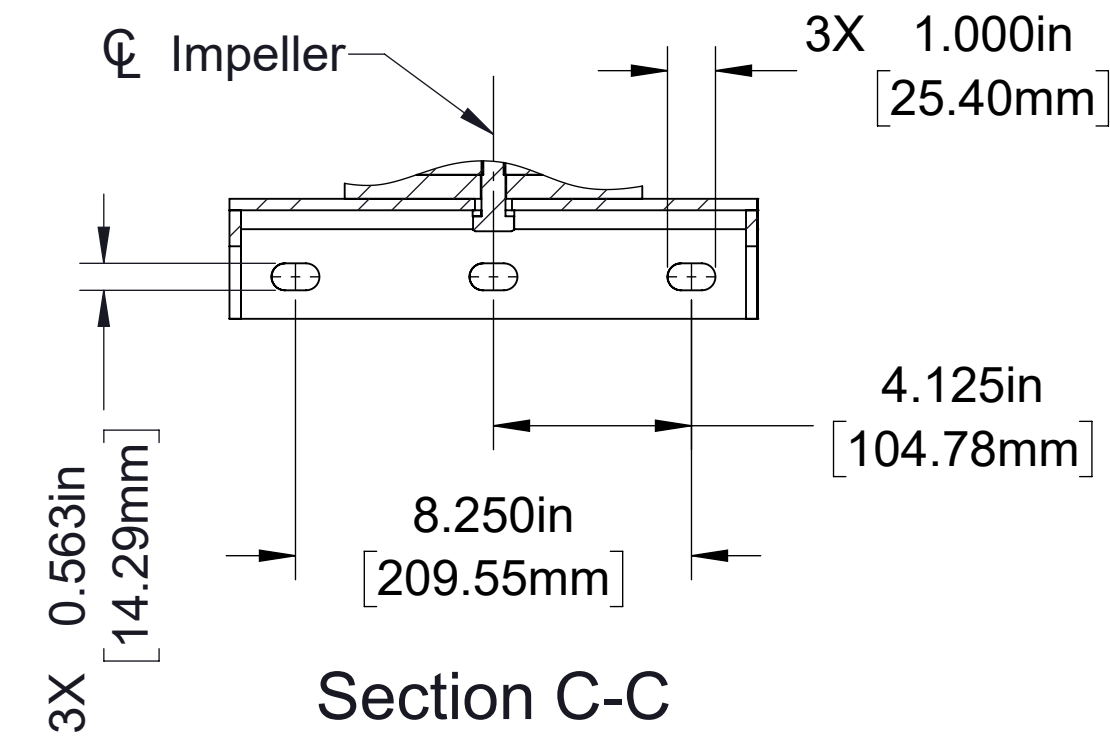
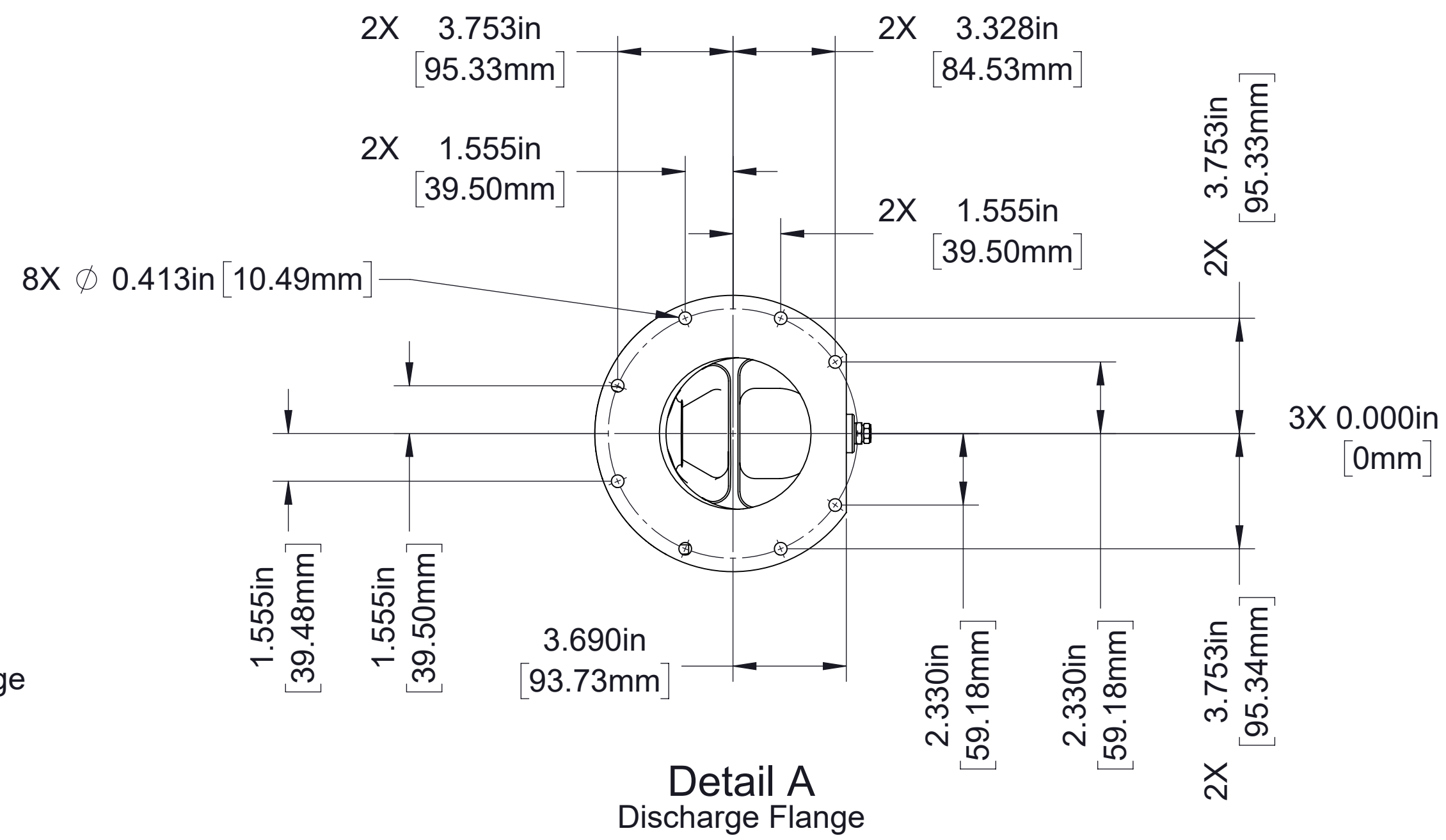
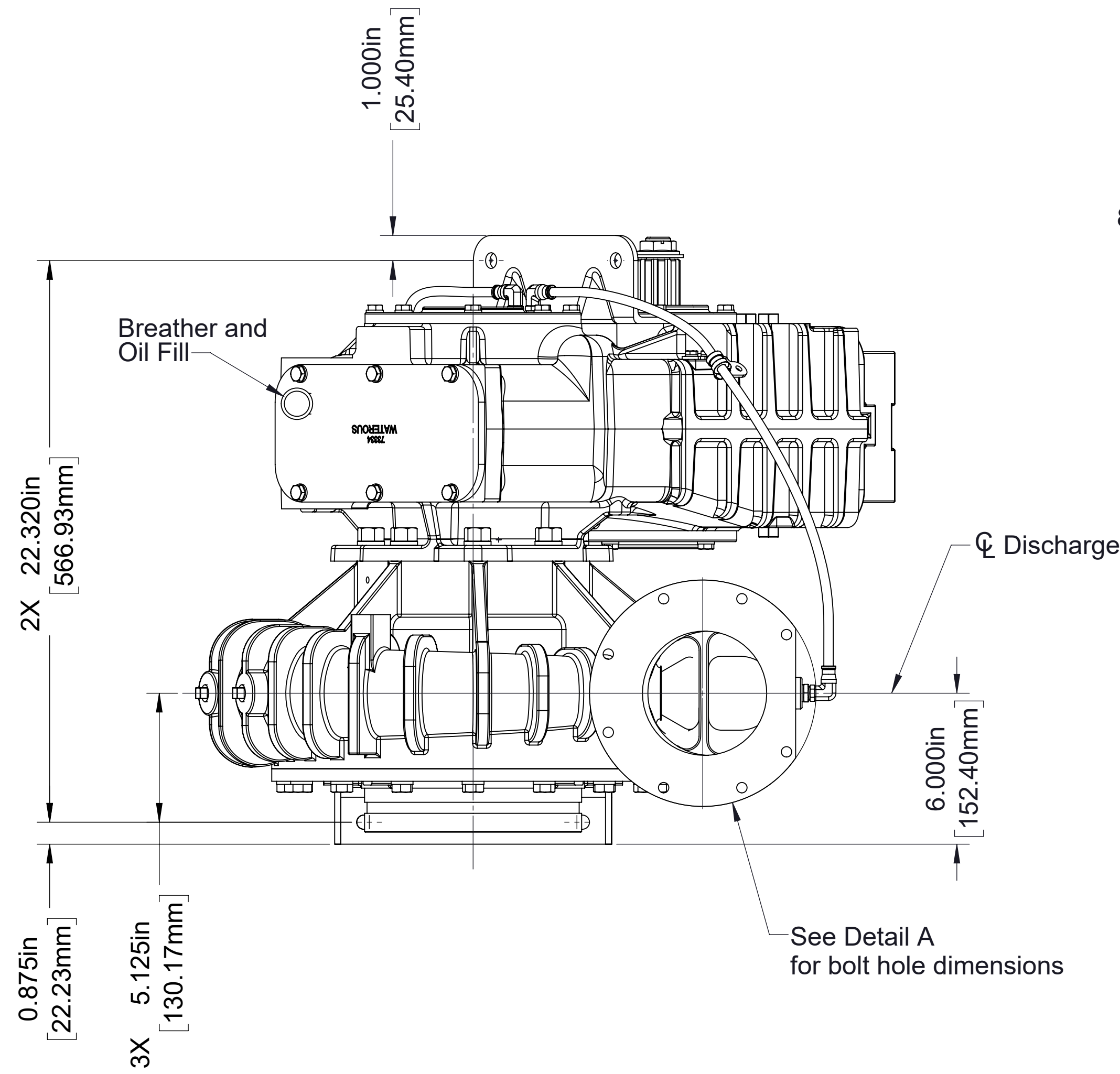


Bellhousing Adapter Input  
(Direct Engine Mount)



See page 6 for optional end yokes and companion flanges

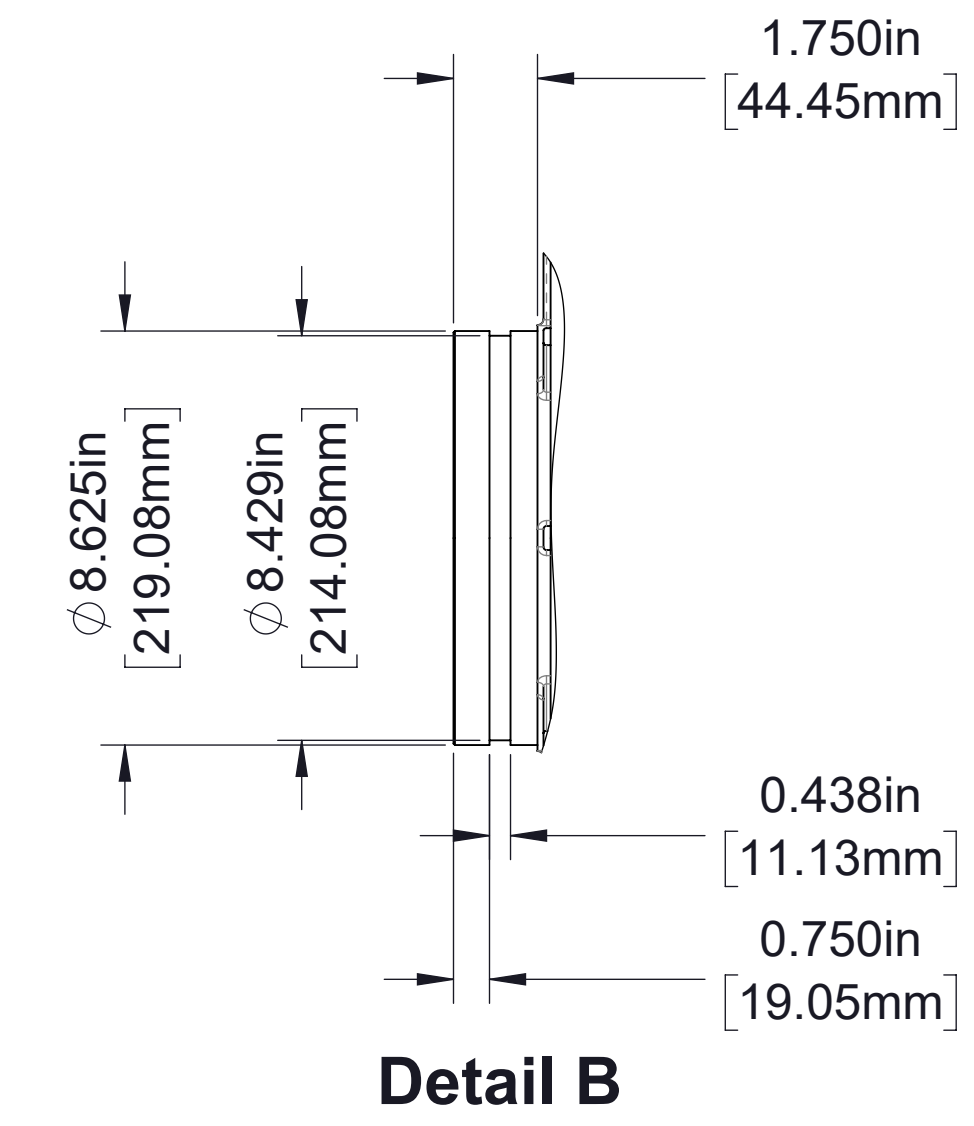
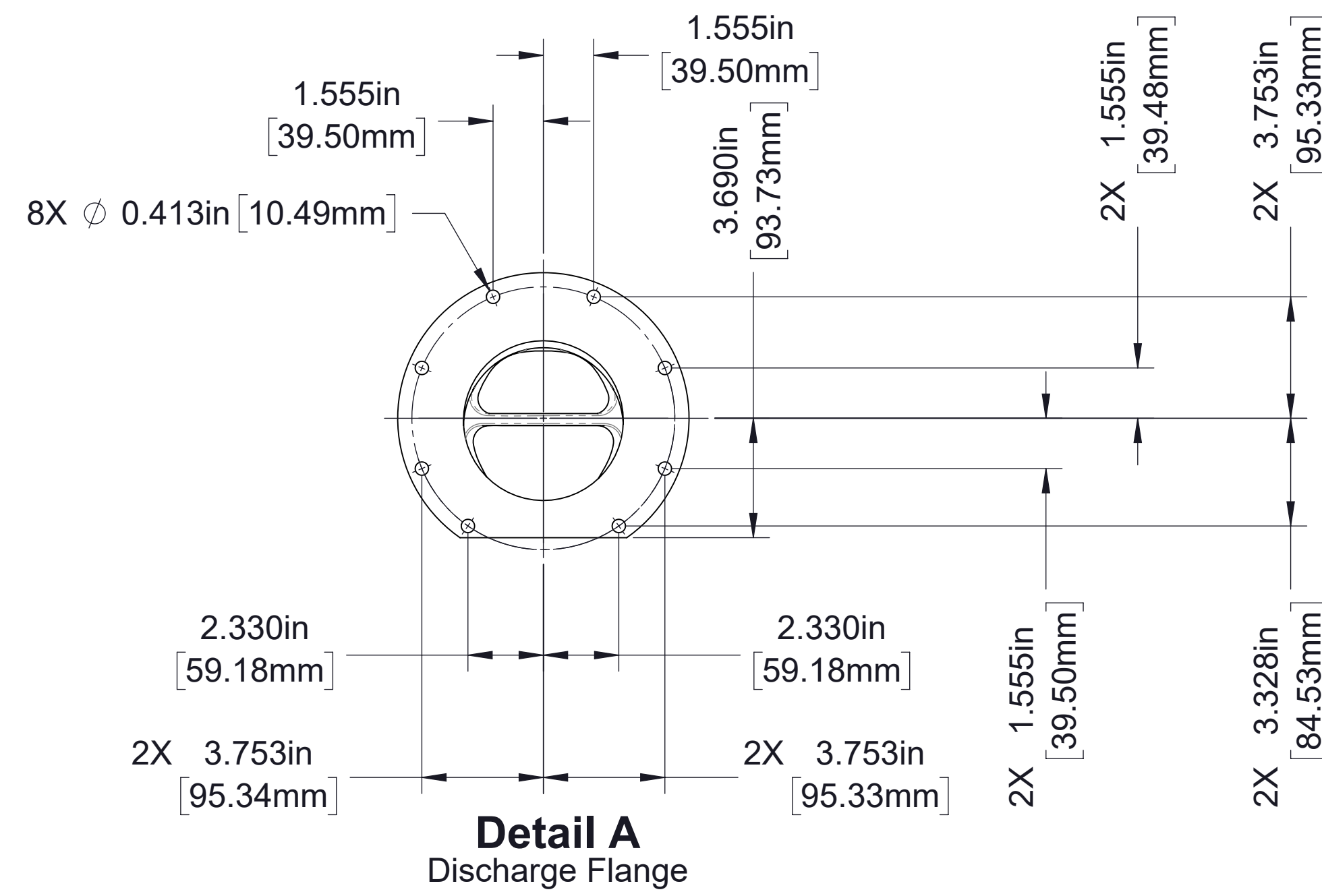
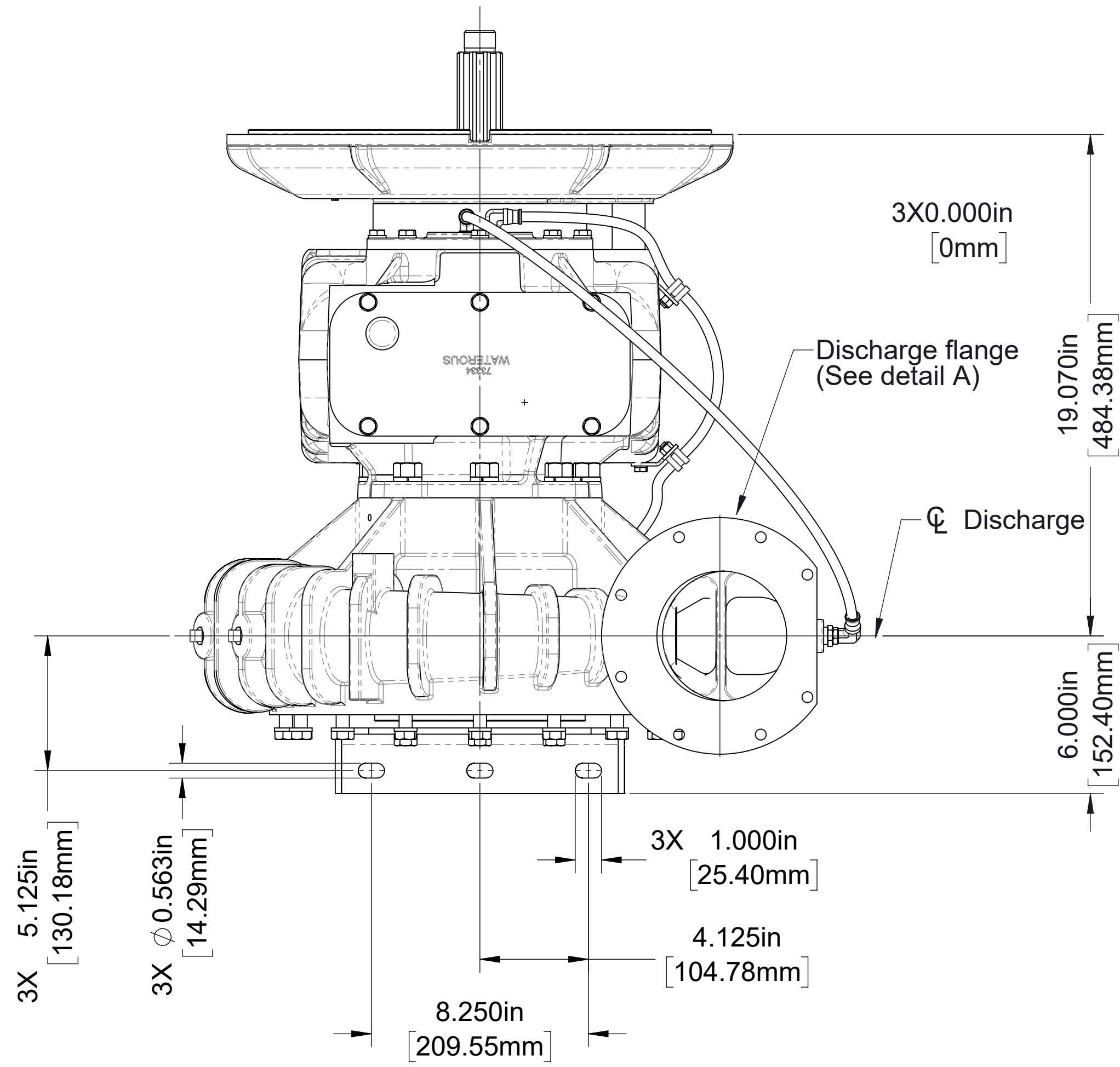
**CRQC Pump Assembly**  
**Vertical Transmission Position**  
(1.58 Ratio)



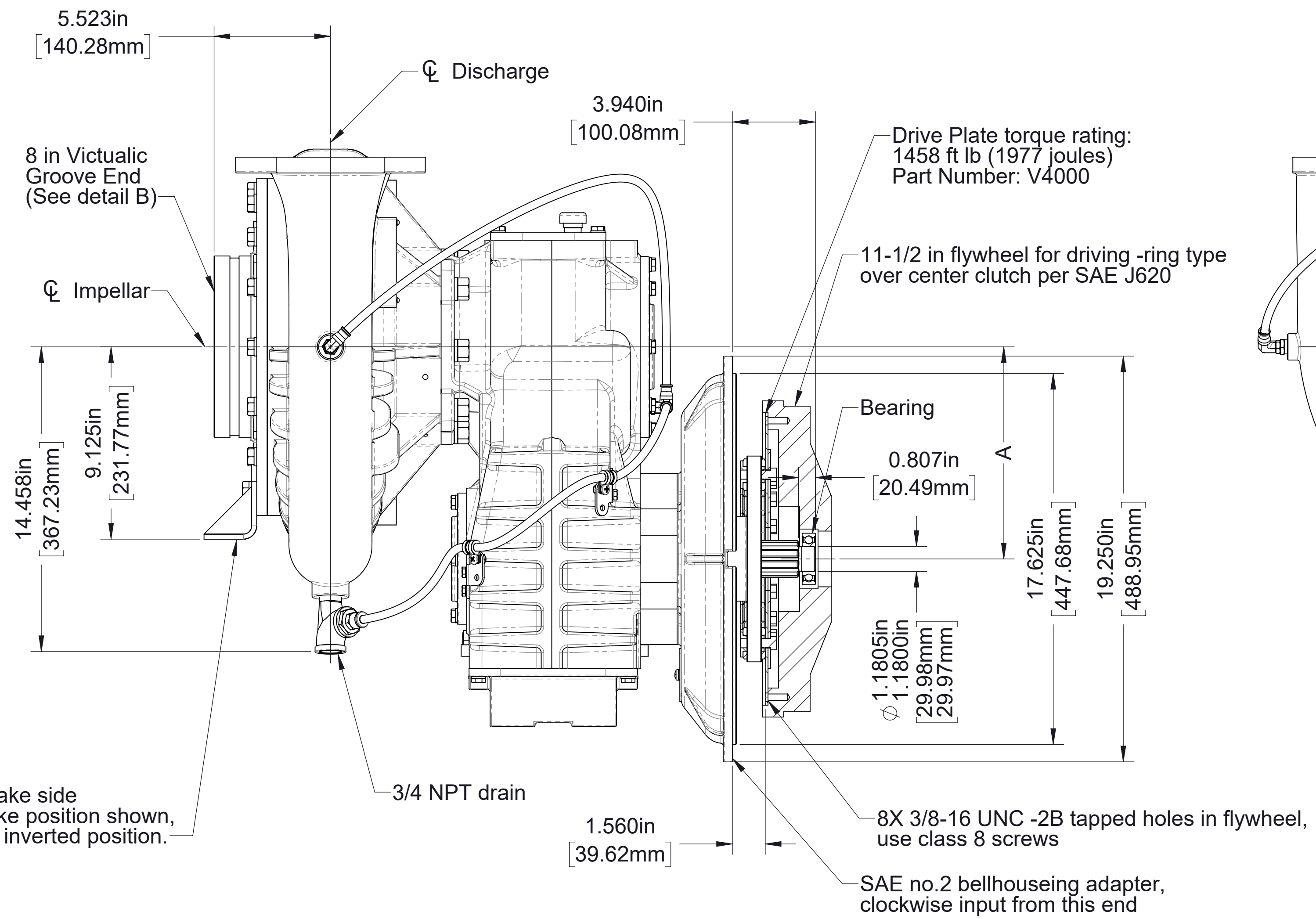
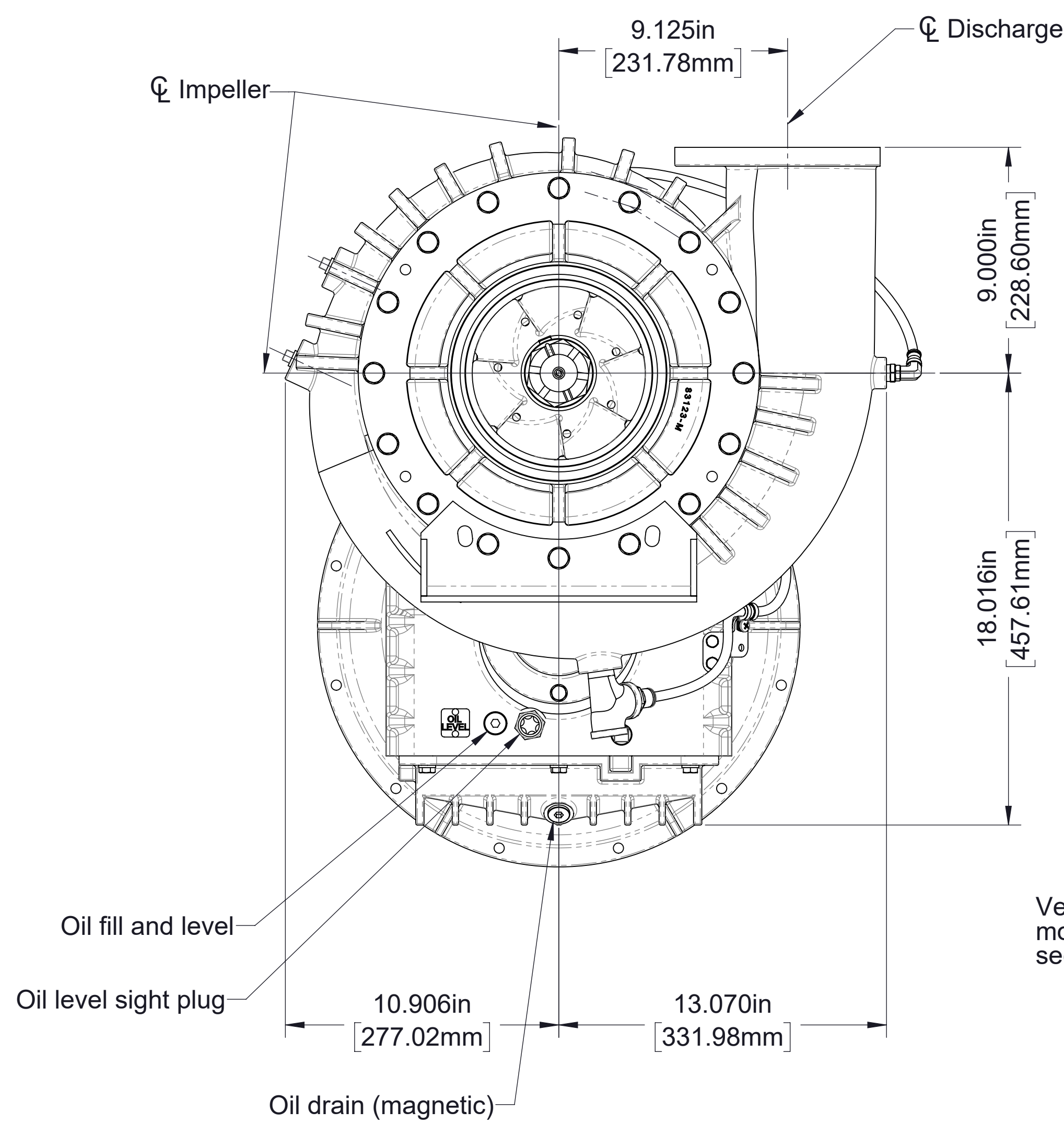
See page 6 for optional end yokes and companion flanges

**CRQC Pump Assembly**  
**Rotated 45° Clockwise Transmission Position**  
 (1.16 and 1.46 Ratio)

RATIO	Dimension A	Dimension B
1.14	7.149 in/ [181.58 mm]	7.149 in/ [181.58 mm]
1.46	7.351 in/ [186.72 mm]	7.351 in/ [186.72 mm]

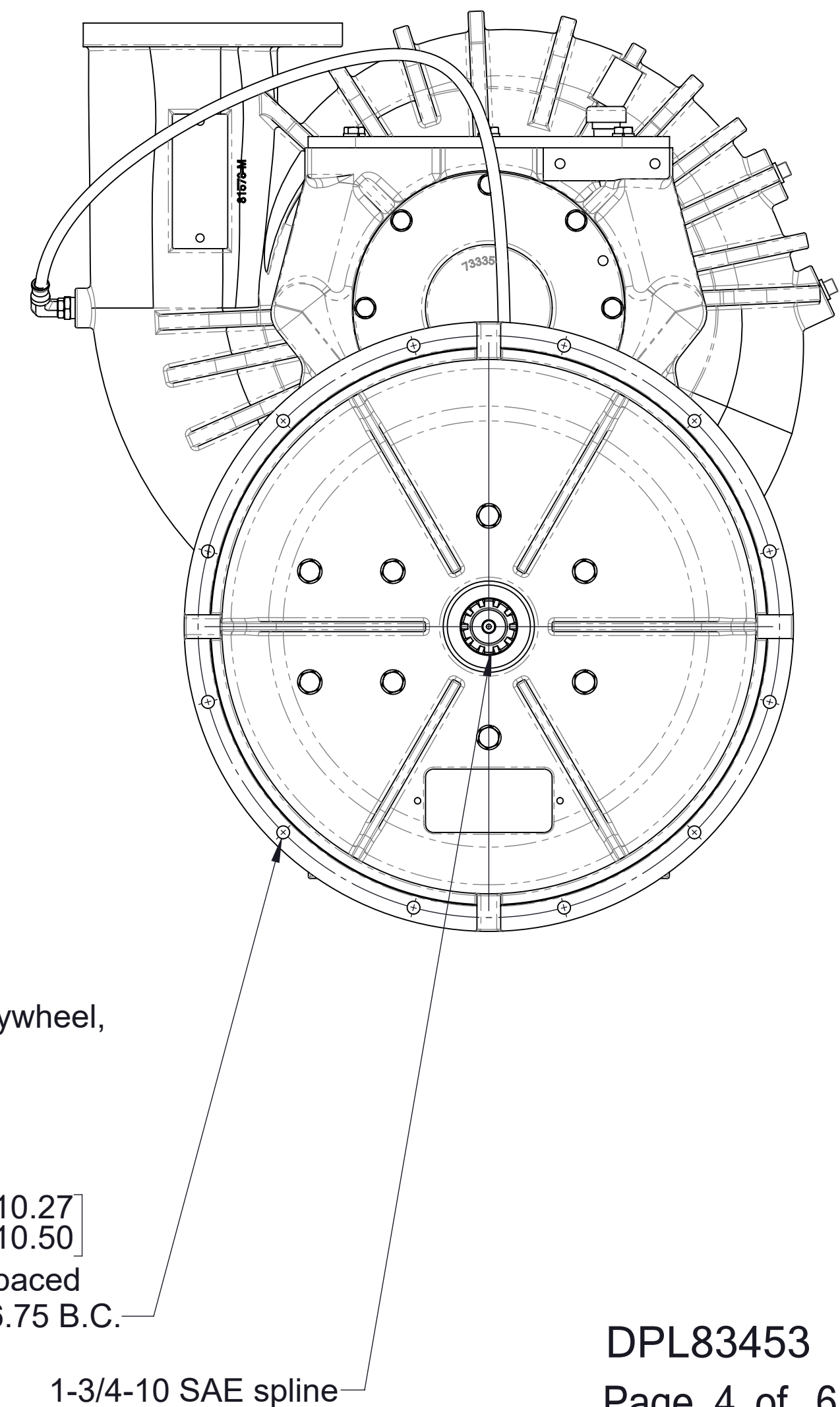


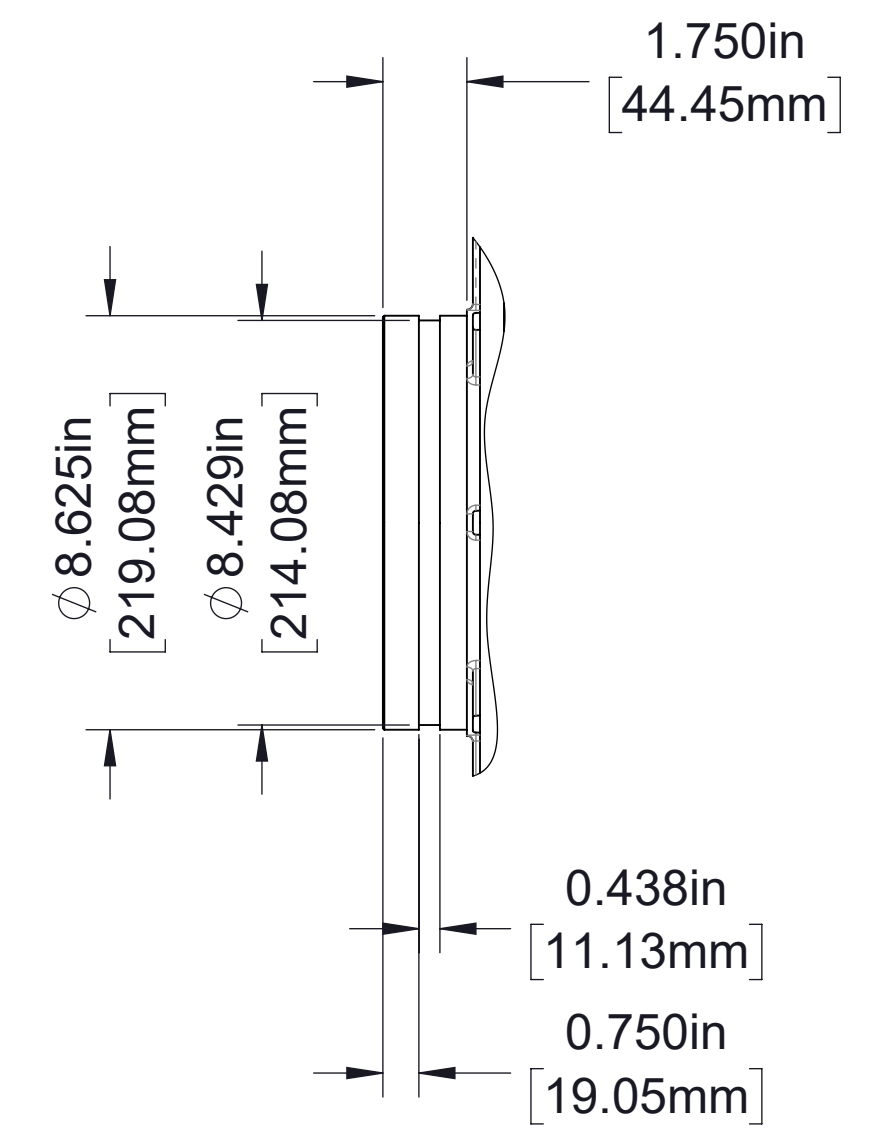
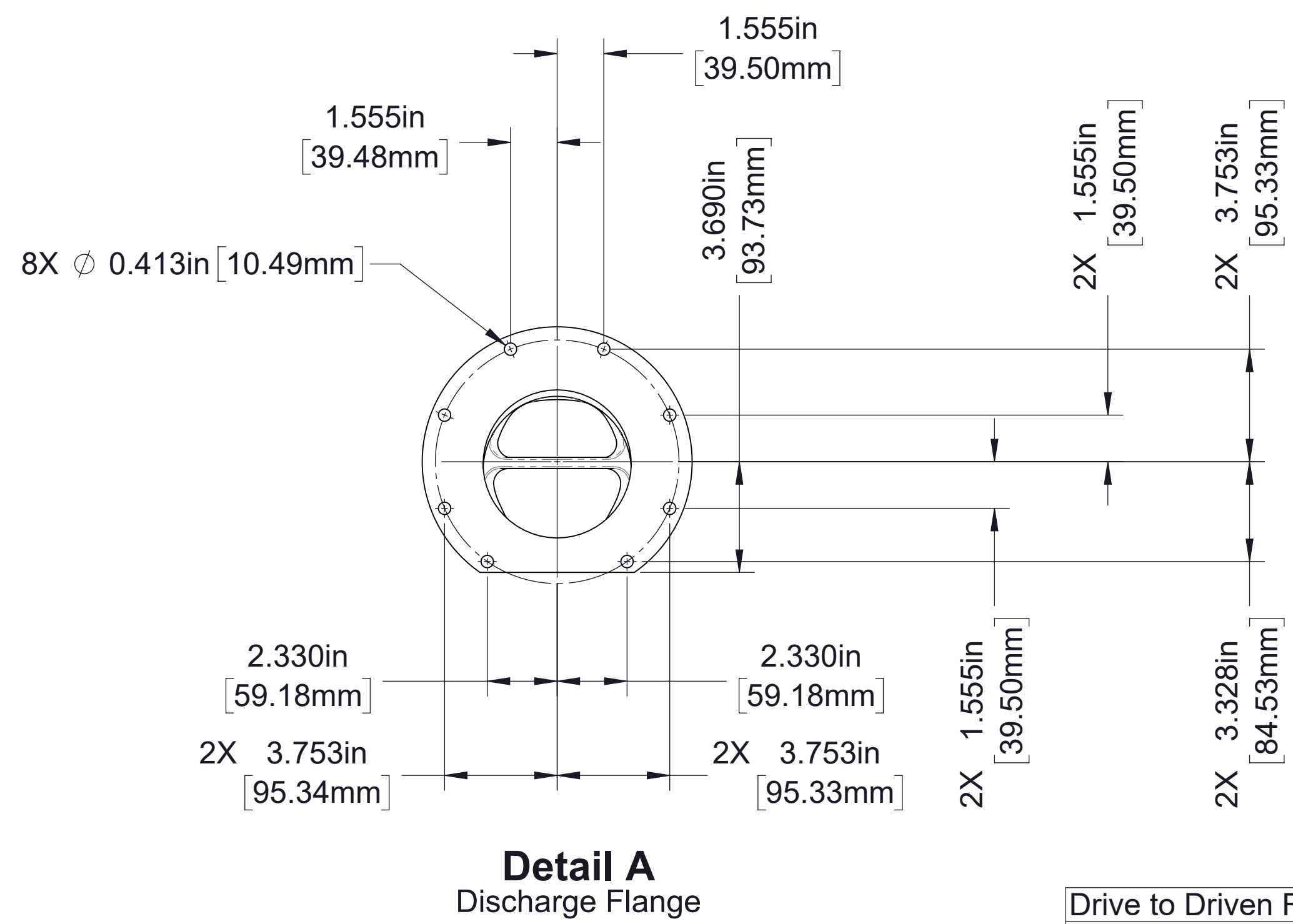
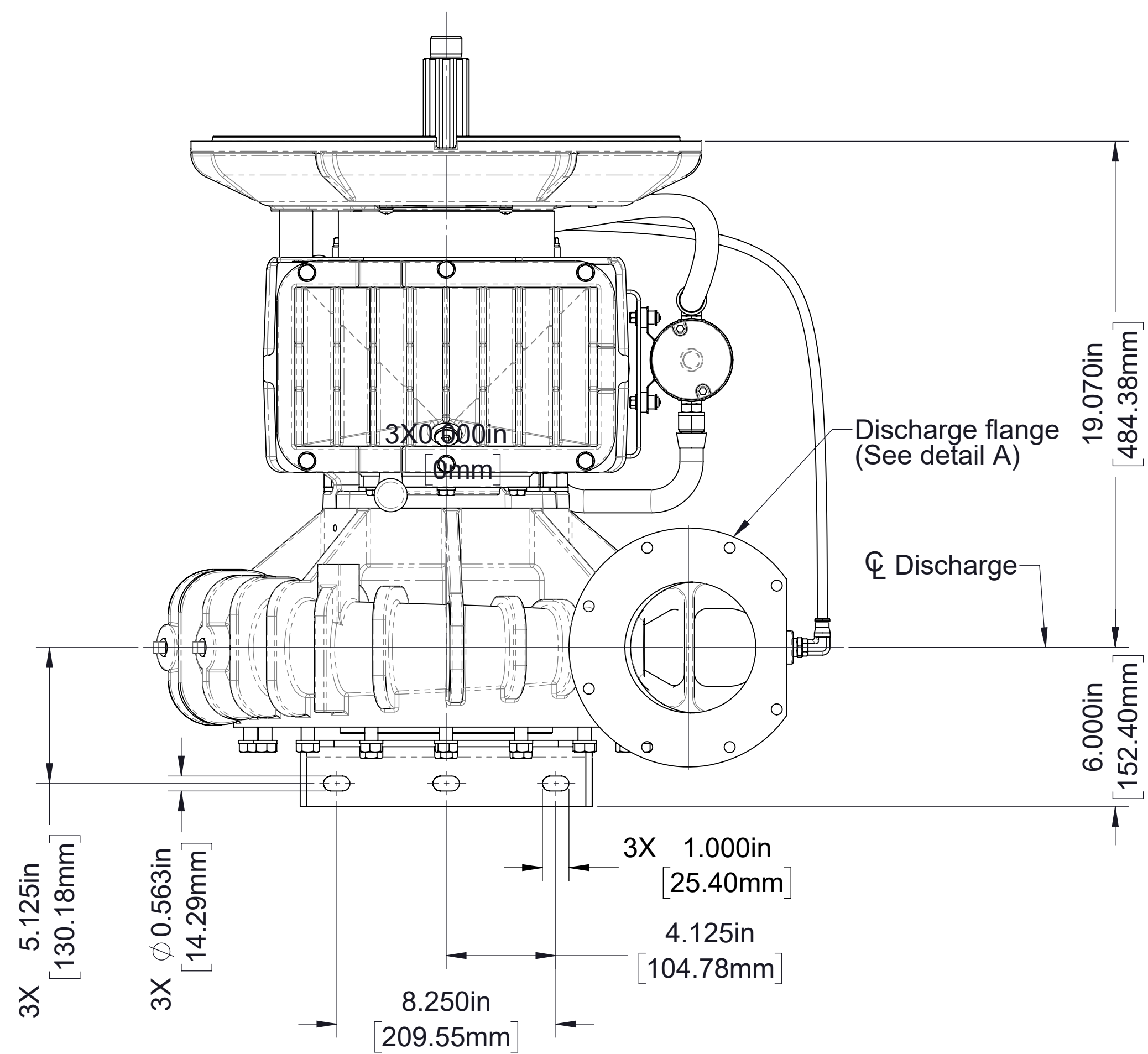
Drive to Driven Ratio	Dimension A
1.83	10.063in/255.60mm
2.10	10.553in/268.05mm



**Bellhousing Adapter Input**  
(Direct engine mounted)  
(Vertical transmission)

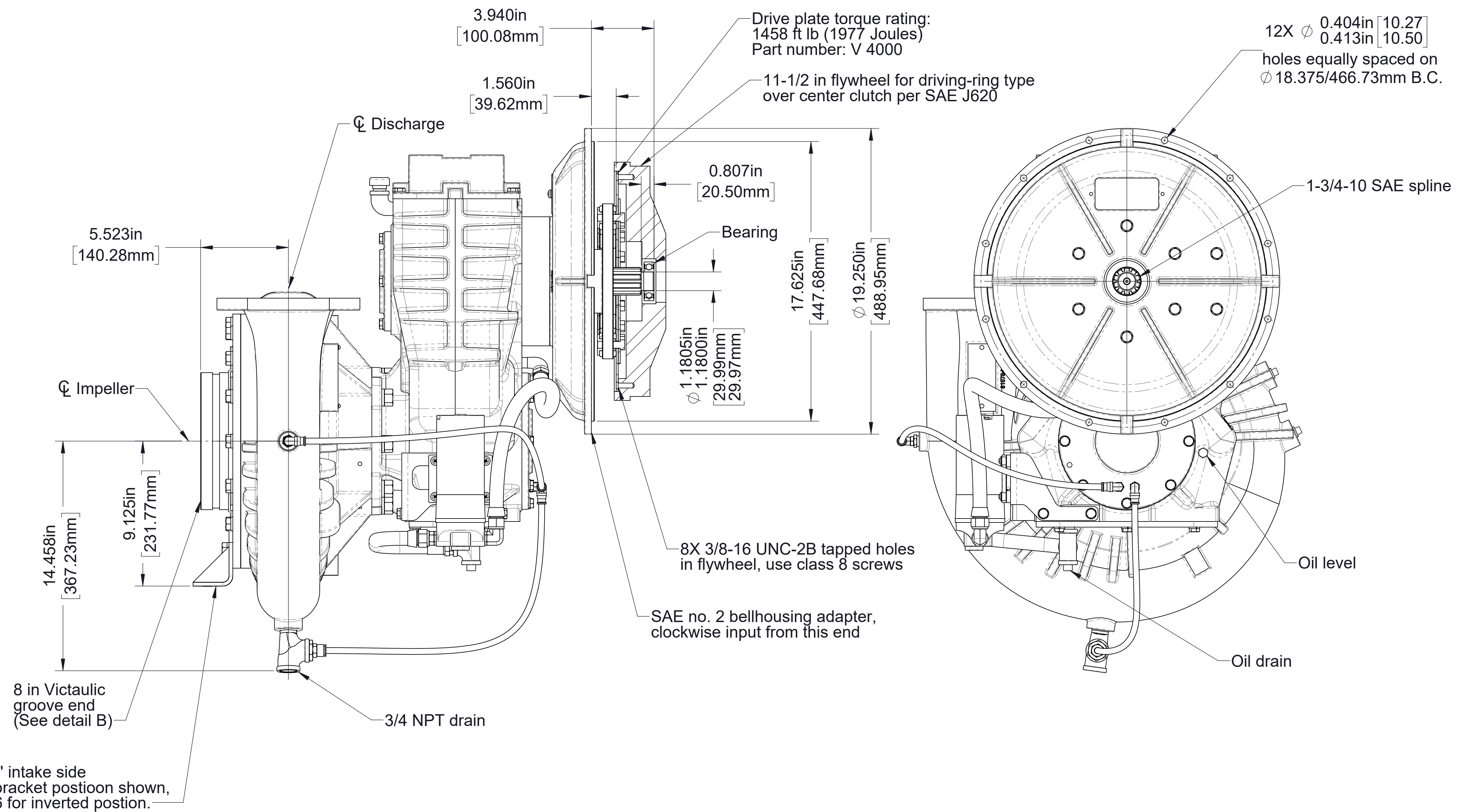
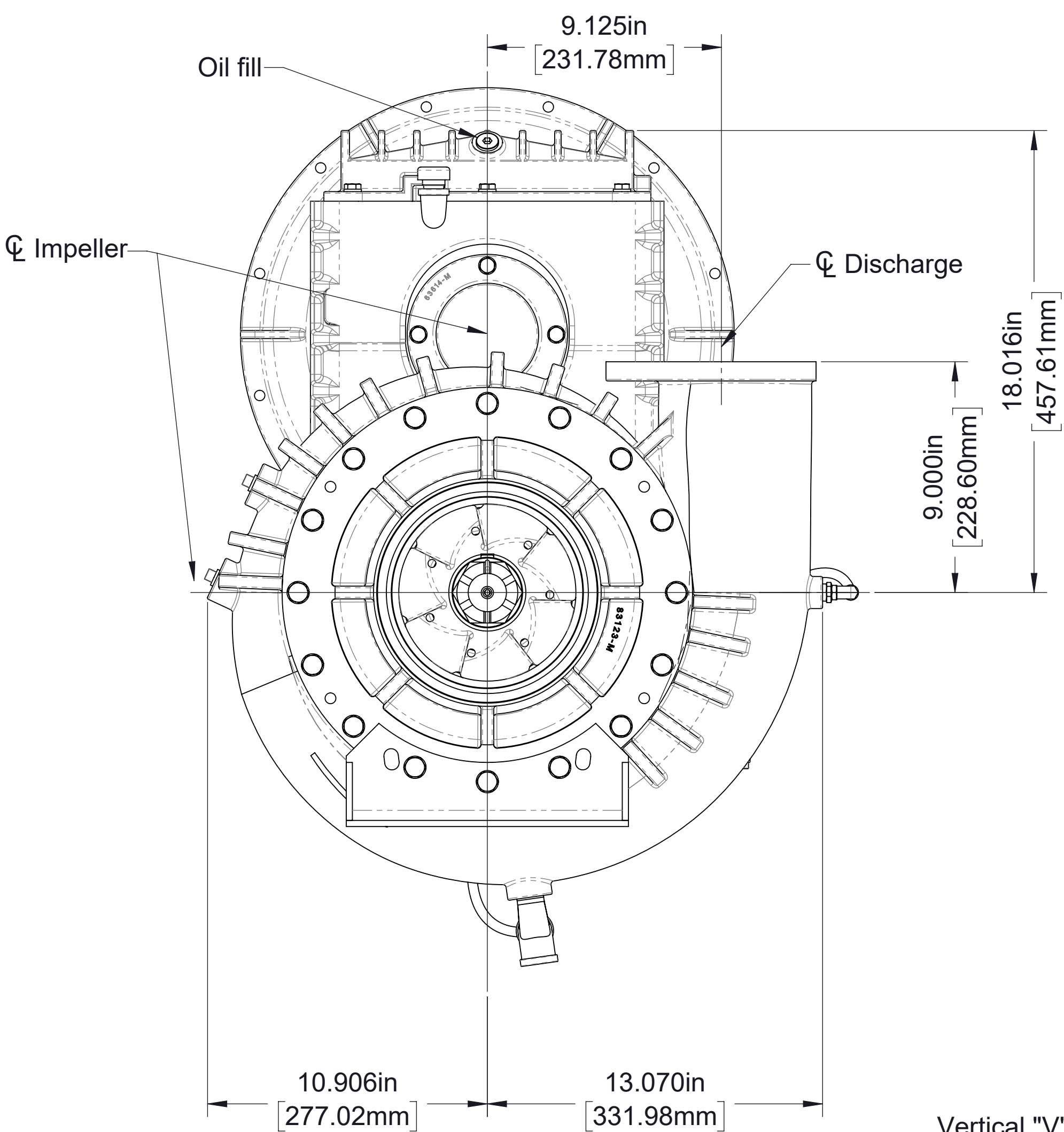
12X  $\varnothing$  0.404in [10.27]  
0.413in [10.50]  
holes equally spaced  
on  $\varnothing$  18.375in/466.75 B.C.





**Detail B**

Drive to Driven Ratio	Dimension A
1.83	10.063in/255.60mm
2.10	10.553in/268.05mm



**Bellhousing Adapter Input**  
(Direct engine mounted)  
(Inverted transmission)

Input Shaft Spline	Optional End Yokes and Companion Flanges See DPL83861 for Dimensions		
	Type	Series	Part Number
1-3/4-10 SAE	End Yoke	1350/1410	V 3861-1
		1550	V 3077
		SPL 90	V 3761
	Companion Flange	1610	61320
		1480/1550	61319

