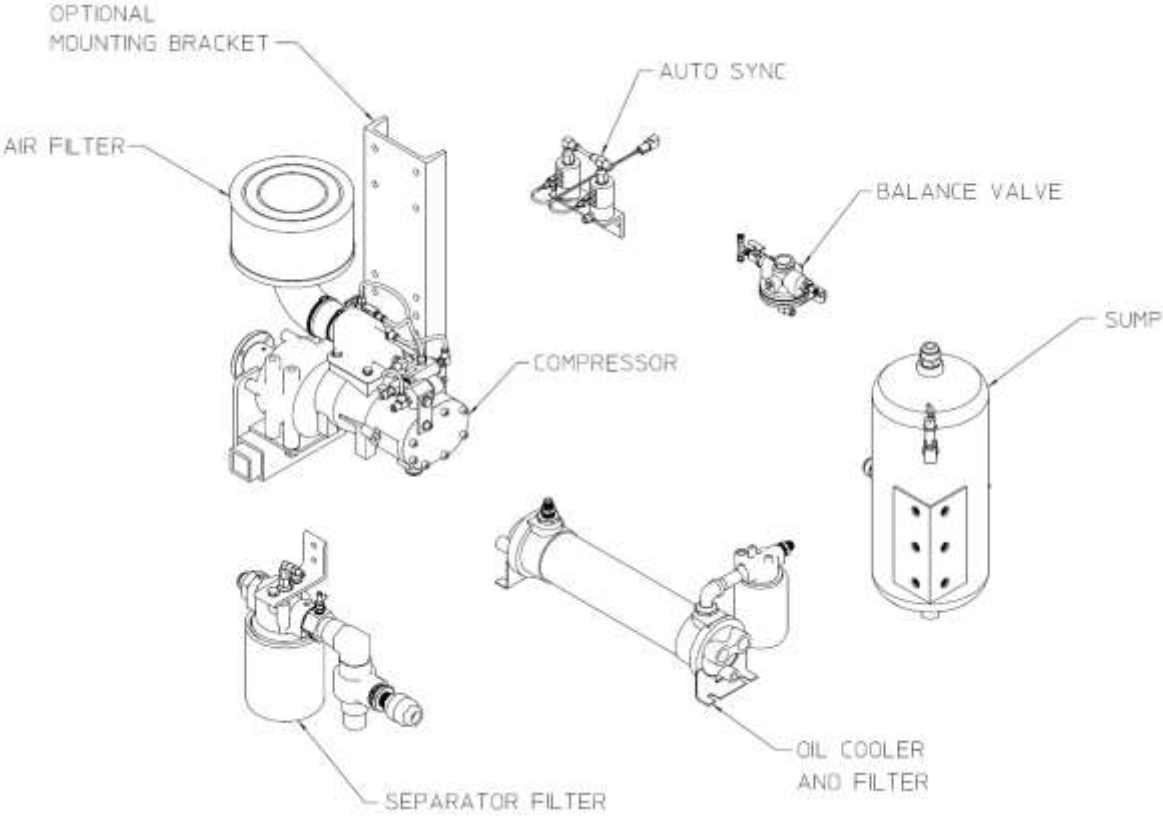
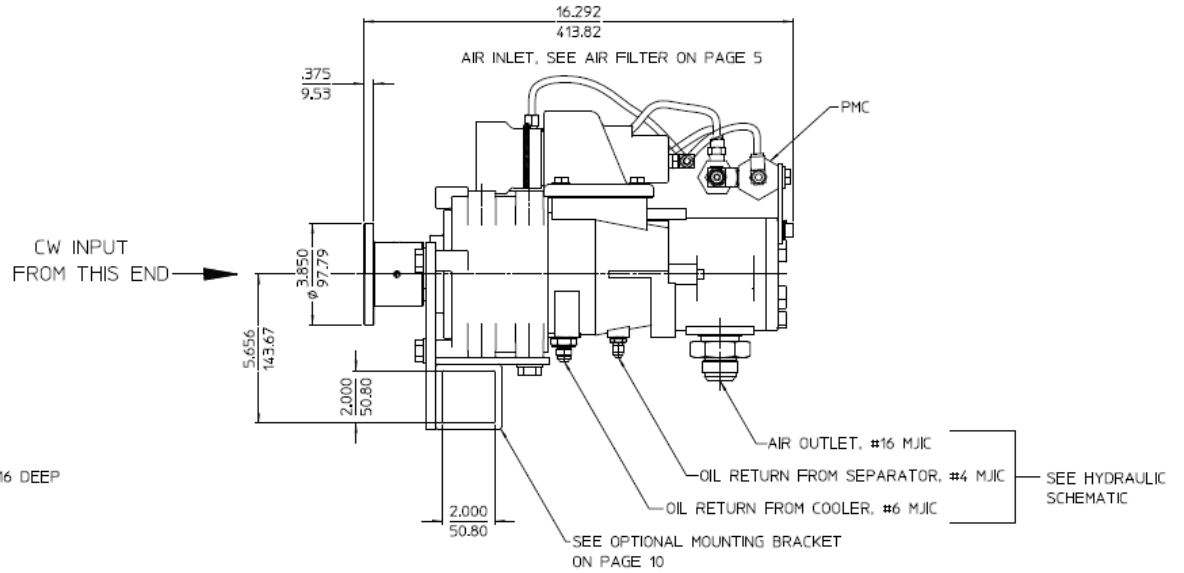
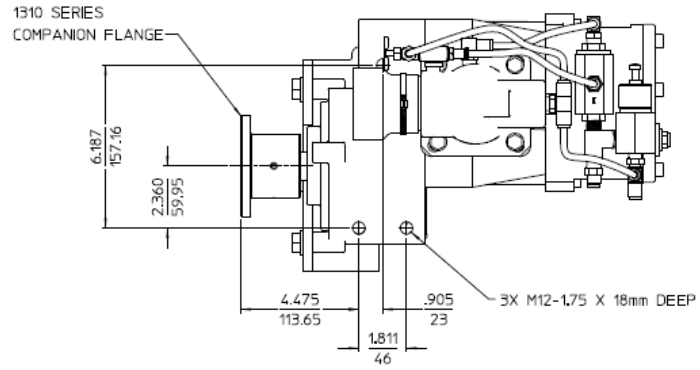
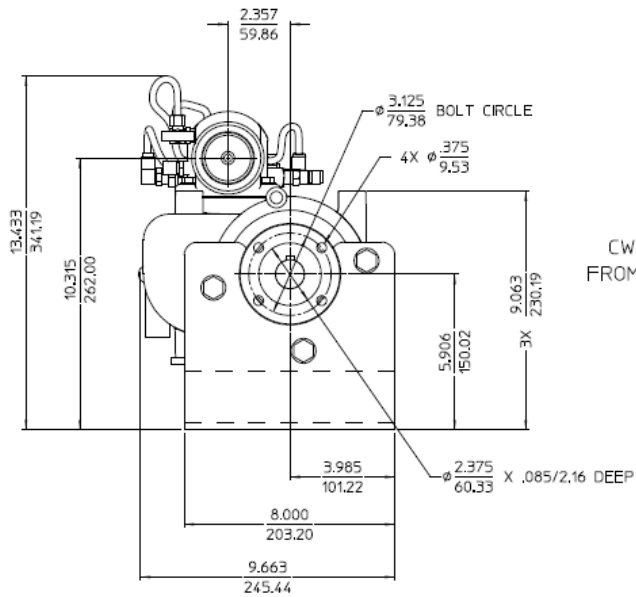


## PTO Compressor Kit Dimensional Drawings Model 80-P

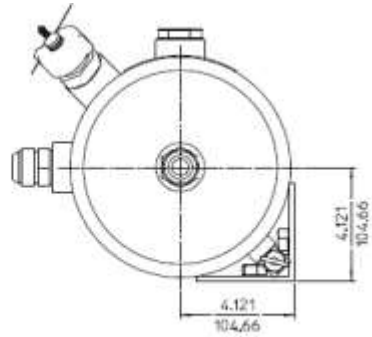


<b>Standard Components:</b>	<b>Page</b>
Compressor .....	2
Sump (Oil Reservoir) .....	3
Oil Cooler and Filter (Water Cooler) .....	4
Air Filter .....	5
Separator Filter .....	5
Oil Temperature Gauge .....	6
Auto-Sync .....	6
Balance Valve .....	6
Panel Plates .....	6
<b>Optional Components:</b>	
Air Distribution Manifold and Valves .....	7
Auxiliary Air Connection .....	8
Air Pressure Gauge .....	9
Digital Air Flow Meter .....	9
Sump Vent .....	9
Mounting Brackets .....	10
Air Oil Cooler (Electric Fan) .....	11
Oil Inject Check Valve .....	See DPL83810
Hose and Fitting Kit .....	See DPL83810
<b>CAF Discharge:</b>	
Air Discharge Check Valve Kits .....	See DPL83477
ICS Valves .....	See DPL83478
Static Mixers .....	See DPL83603
Manifolds .....	See DPL83682
<b>Foam Pumps:</b>	
Models Aquis 1.5, 3.0 or 6.0: .....	See F-1031-2447
<b>Schematics:</b>	
Hydraulic .....	12
Air Circuit .....	13
Electrical .....	14

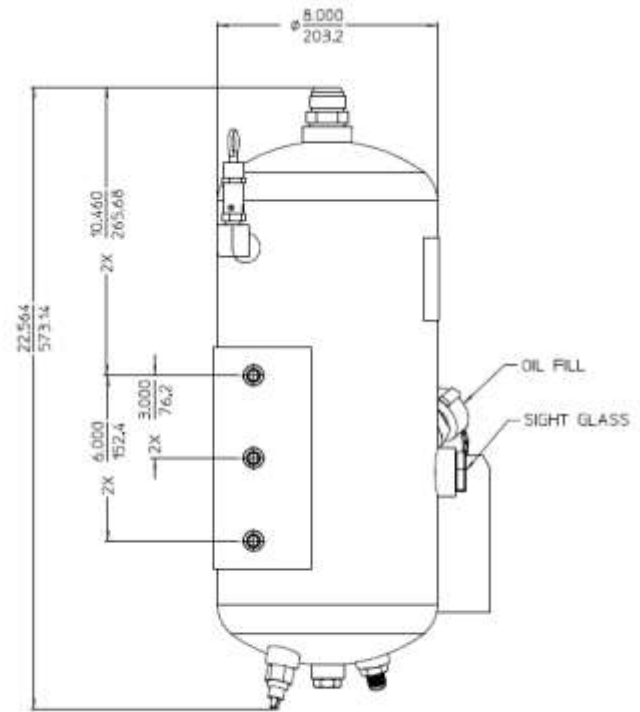
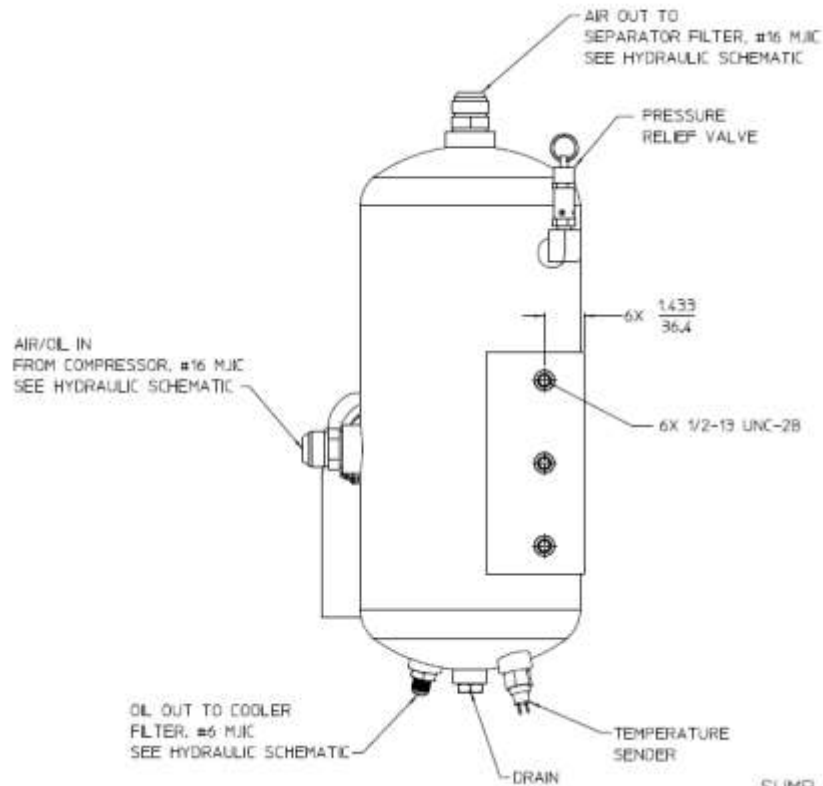
ALL DIMENSIONS SHOWN AS INCH/MILLIMETER  
( INCH / MILLIMETER )



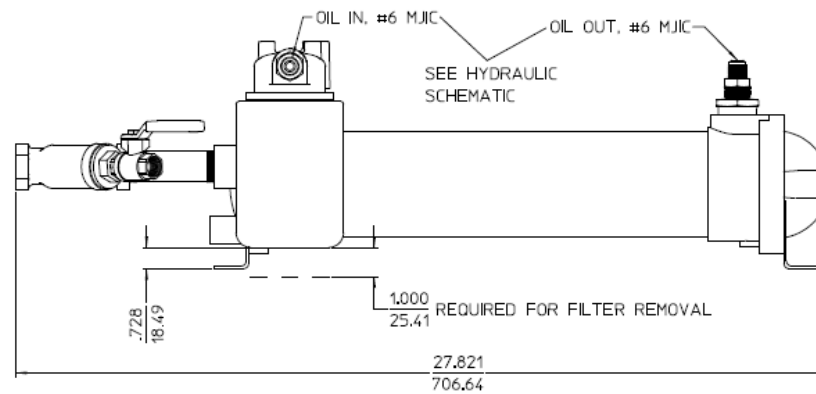
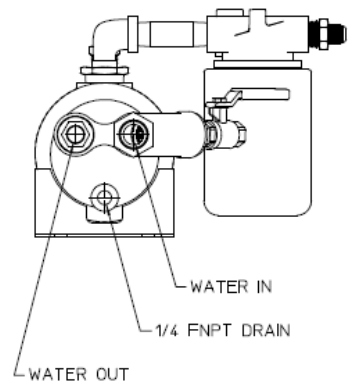
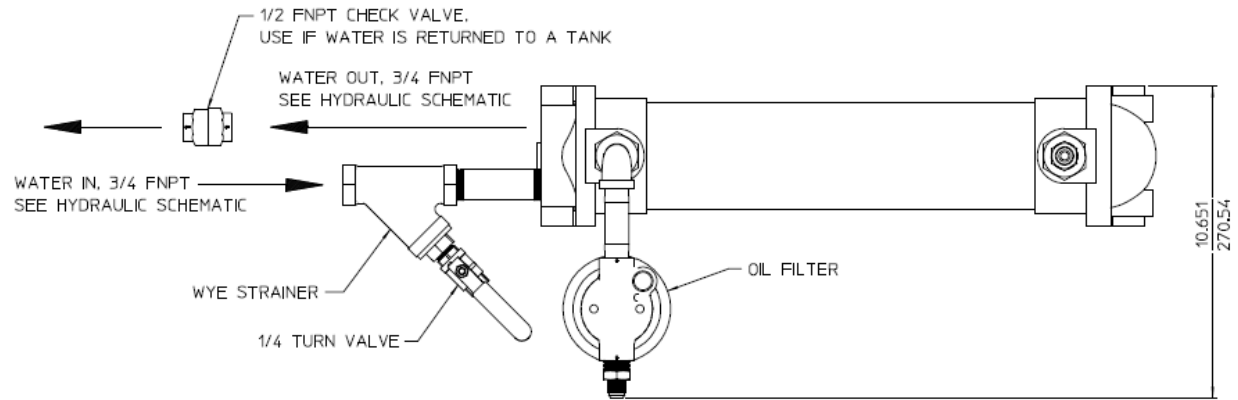
COMPRESSOR



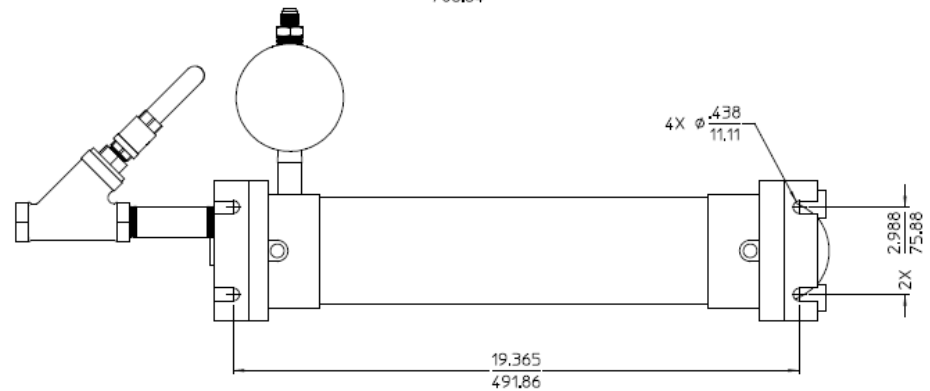
ALL DIMENSIONS SHOWN AS INCH/MILLIMETER  
 ( INCH / MILLIMETER )



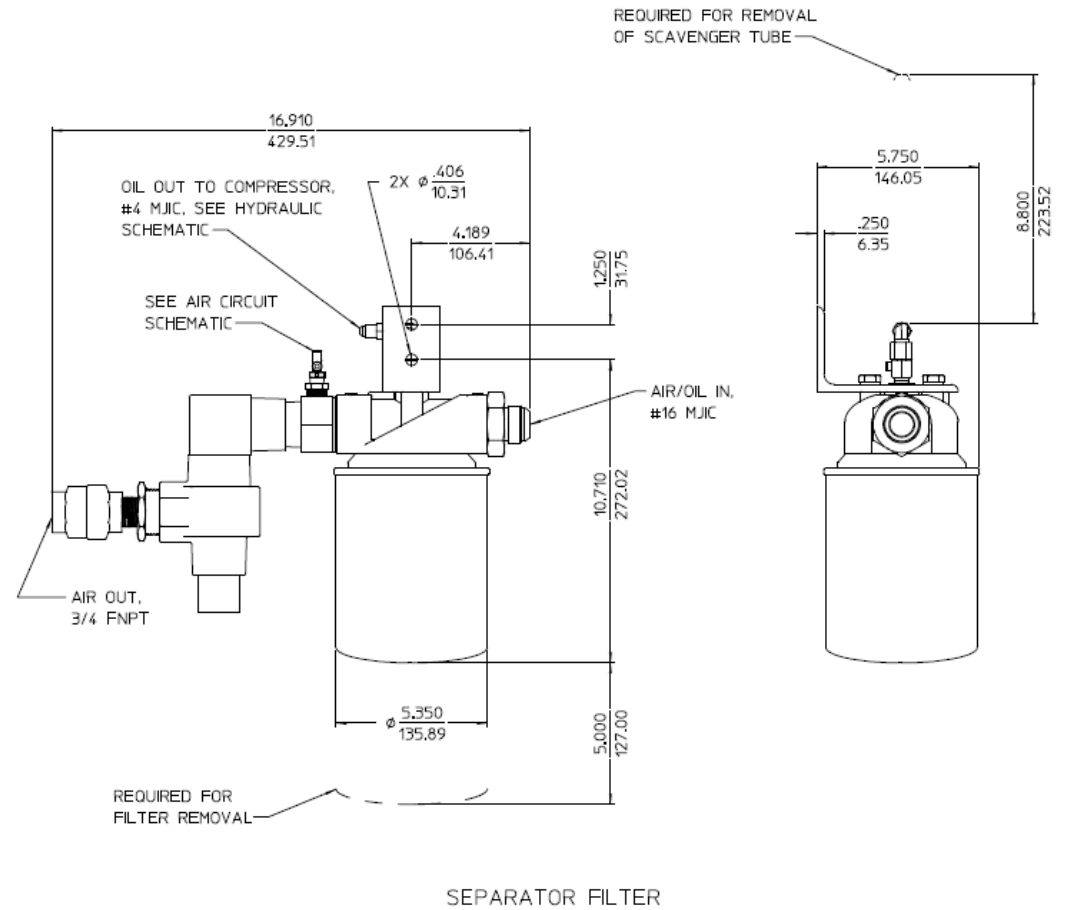
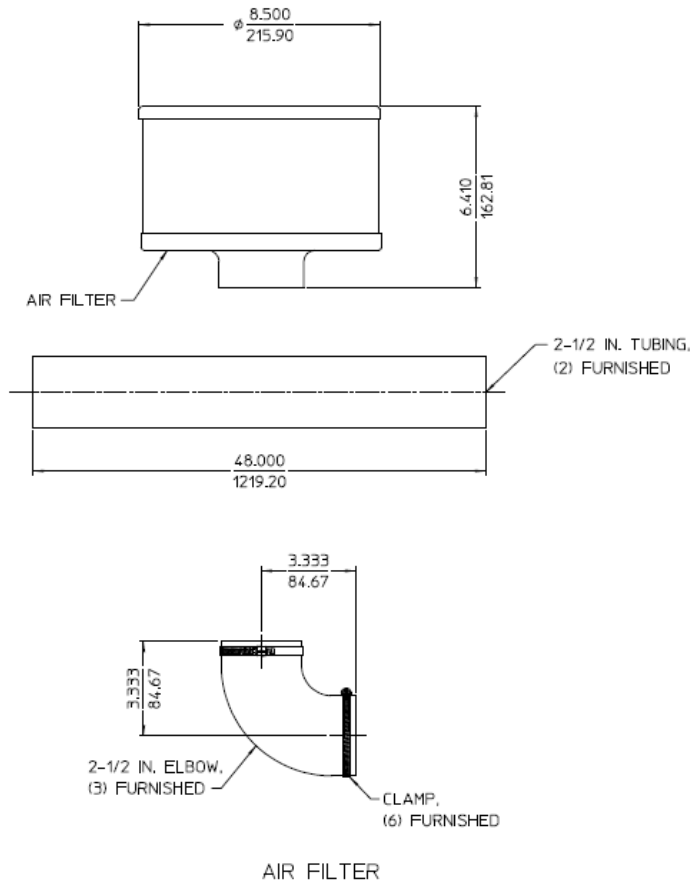
SUMP (OIL RESERVIOR)



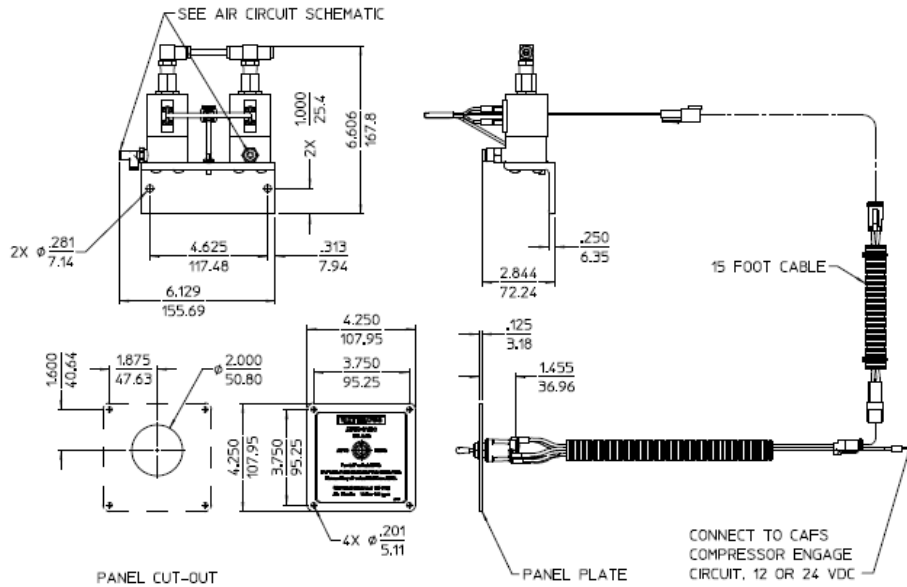
ALL DIMENSIONS SHOWN AS INCH/MILLIMETER  
( INCH )  
( MILLIMETER )



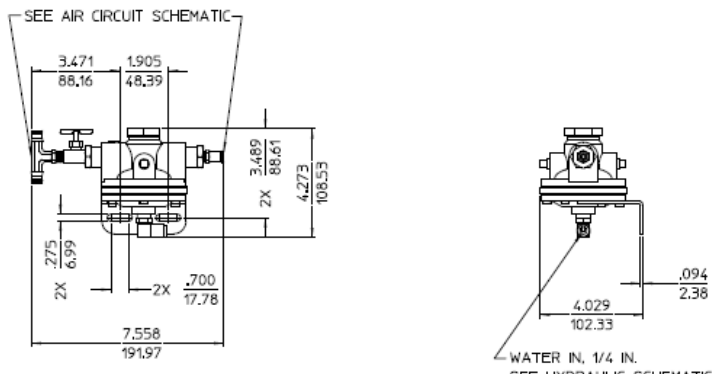
OIL COOLER AND FILTER



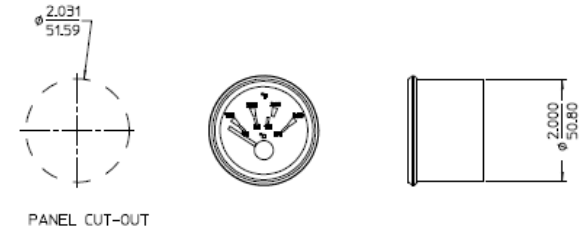
ALL DIMENSIONS SHOWN AS INCH/MILLIMETER  
INCH  
(MILLIMETER)



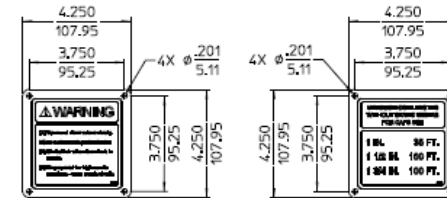
AUTO-SYNC



BALANCE VALVE

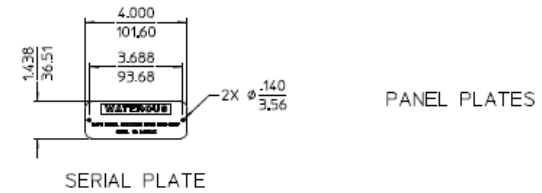


OIL TEMPERATURE GAUGE  
(WIRING TO SUMP TEMPERATURE SENDER  
NOT FURNISHED BY WATEROUS)

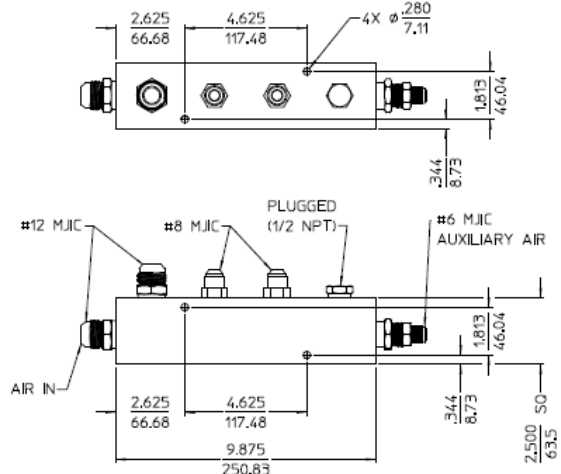


CAFS WARNING

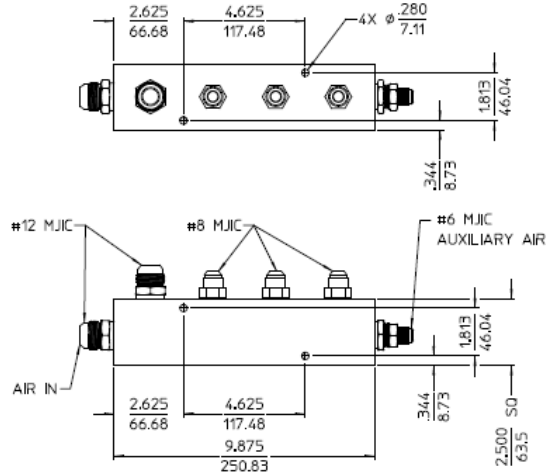
HOSE LENGTH



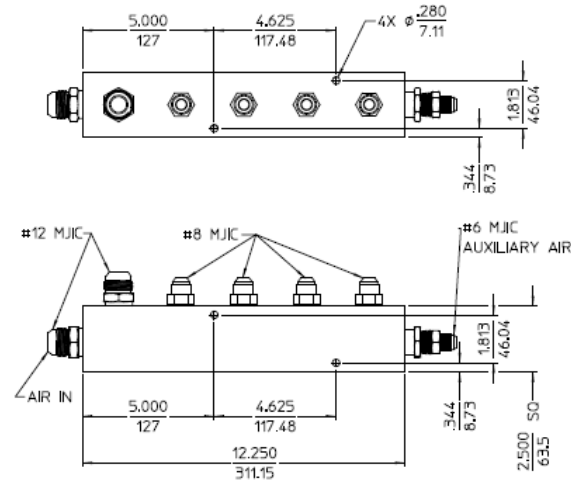
ALL DIMENSIONS SHOWN AS INCH/MILLIMETER  
(INCH / MILLIMETER)



3 PORT MANIFOLD  
ORDER PART NO. 83360-1A

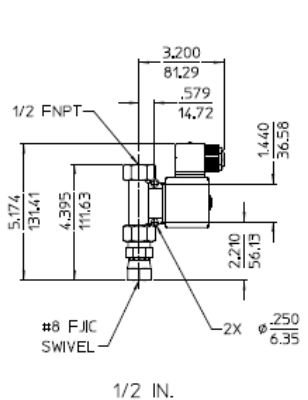


4 PORT MANIFOLD  
ORDER PART NO. 83360-1B



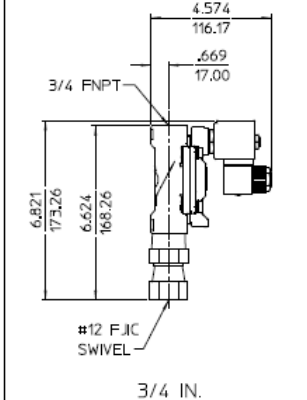
5 PORT MANIFOLD  
ORDER PART NO. 83360-1C

OPTIONAL AIR DISTRIBUTION MANIFOLD

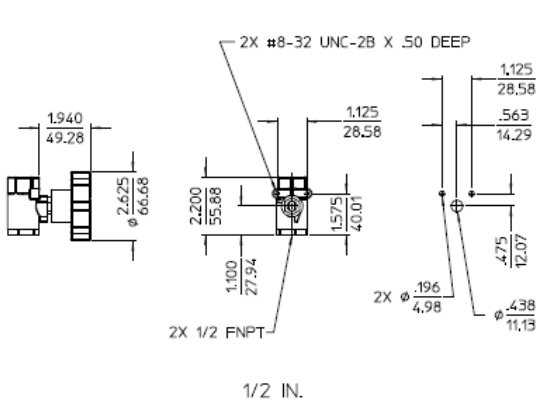


1/2 IN.

ELECTRIC

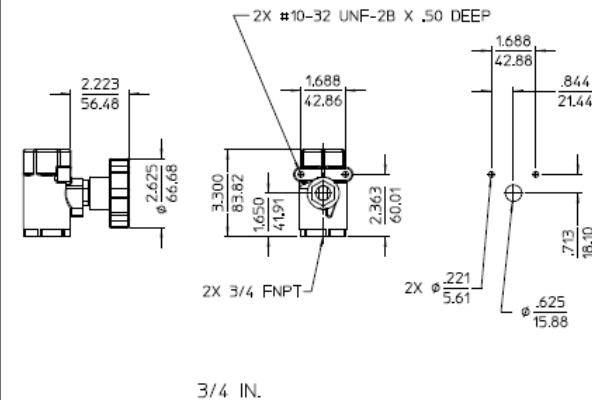


3/4 IN.



1/2 IN.

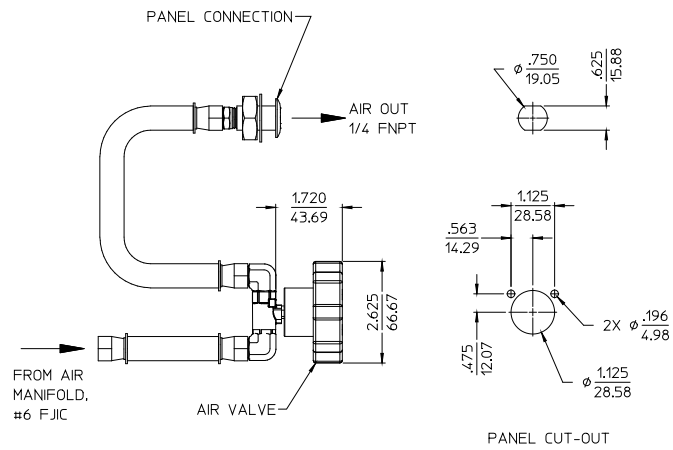
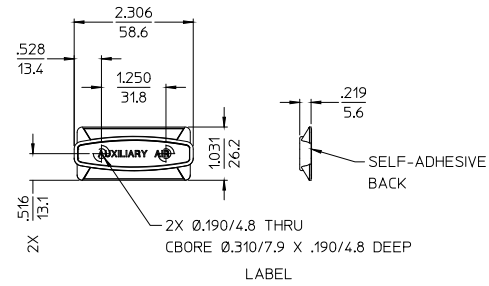
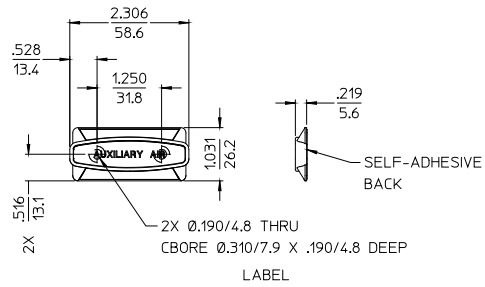
MANUAL



3/4 IN.

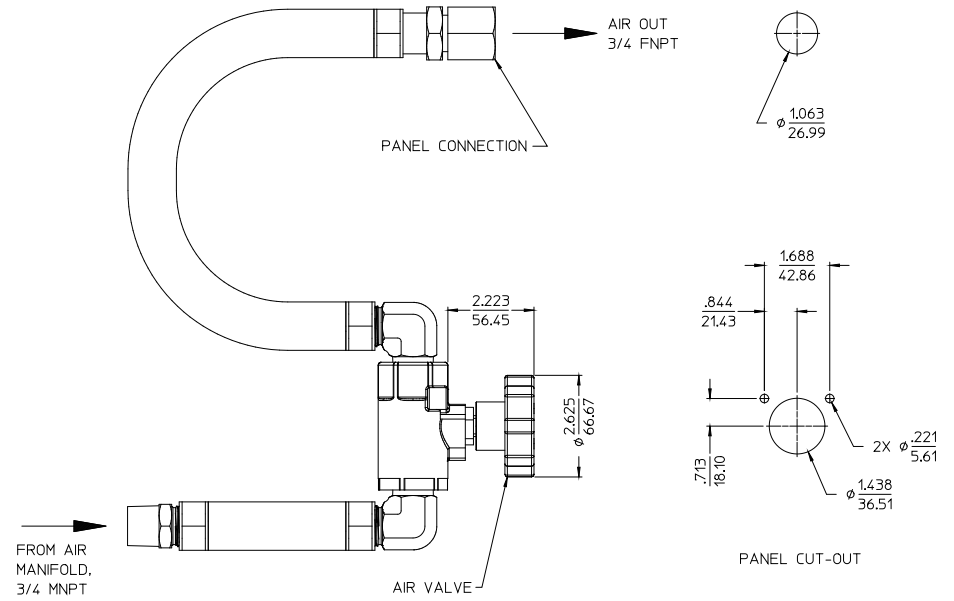
OPTIONAL AIR VALVES

ALL DIMENSIONS SHOWN AS INCH/MILLIMETER  
( INCH / MILLIMETER )



1/4 FNPT CONNECTION  
(HOSES AND FITTINGS FURNISHED)  
ORDER PART NO. 83360-3A

ALL DIMENSIONS SHOWN AS INCH/MILLIMETER  
(INCH  
MILLIMETER)



3/4 NPT CONNECTION  
(HOSES AND FITTINGS FURNISHED)  
ORDER PART NO. 83360-3B

OPTIONAL AUXILIARY CONNECTION

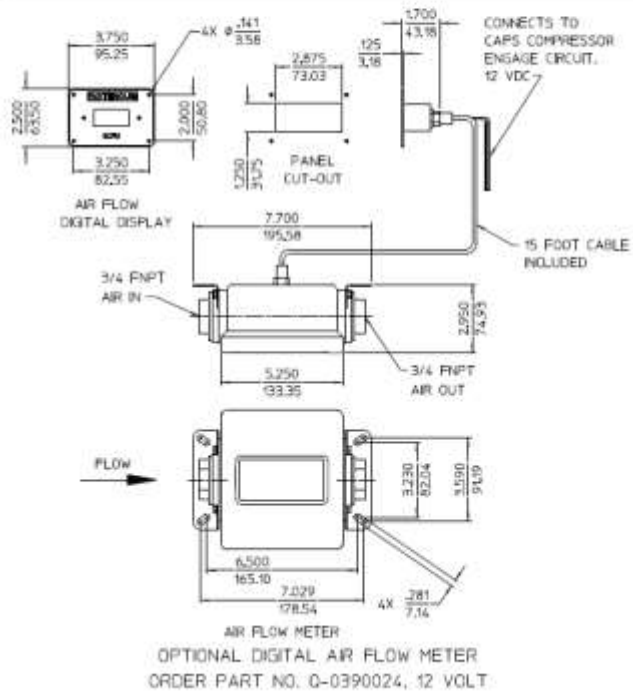




PANEL CUT-OUT

1/4 PUSH ON CONNECTOR  
(15 FEET OF BLACK TUBING FURNISHED)

OPTIONAL AIR PRESSURE GAUGE  
SINGLE Mpa SCALE ORDER PART NO. 83417-1A  
DUAL PSI/Kpa SCALE ORDER PART NO. 83417-1B



AIR FLOW DIGITAL DISPLAY

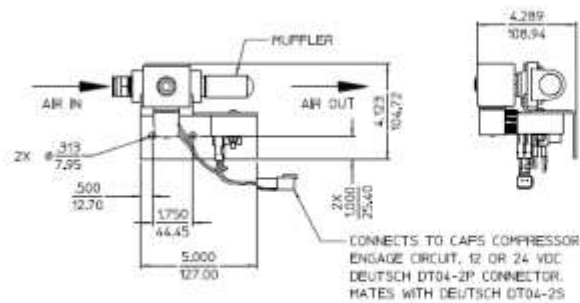
3/4 FNPT AIR IN

3/4 FNPT AIR OUT

FLOW →

AIR FLOW METER

OPTIONAL DIGITAL AIR FLOW METER  
ORDER PART NO. 0-0390024, 12 VOLT



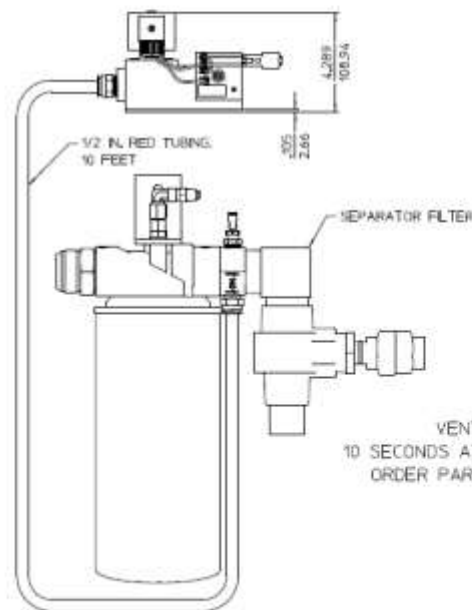
MUFFLER

AIR IN

AIR OUT

4.289  
108.94

CONNECTS TO CAPS COMPRESSOR ENGAGE CIRCUIT, 12 OR 24 VDC  
DEUTSCH DT04-2P CONNECTOR,  
MATES WITH DEUTSCH DT04-2S

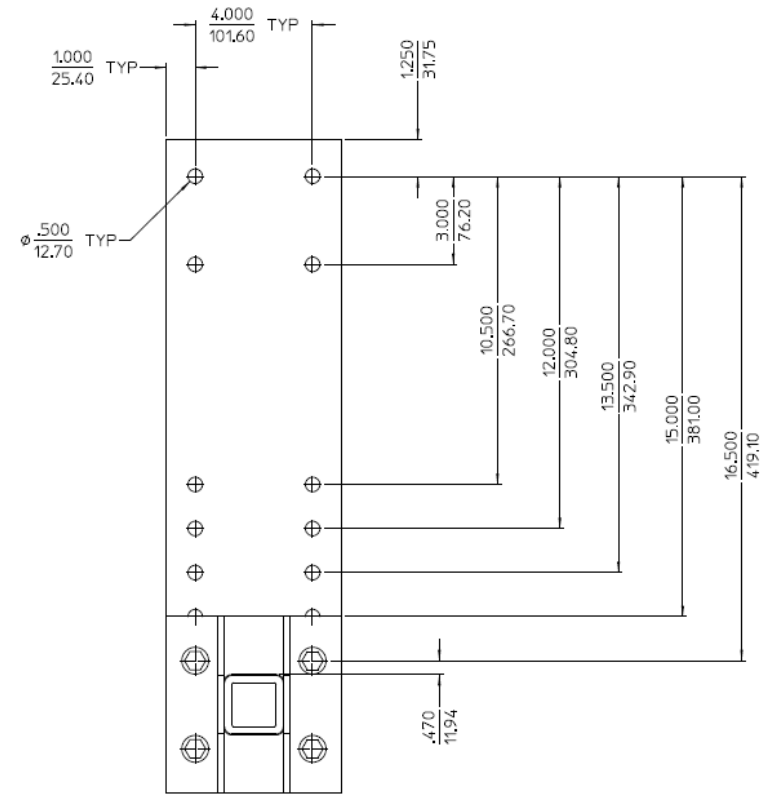
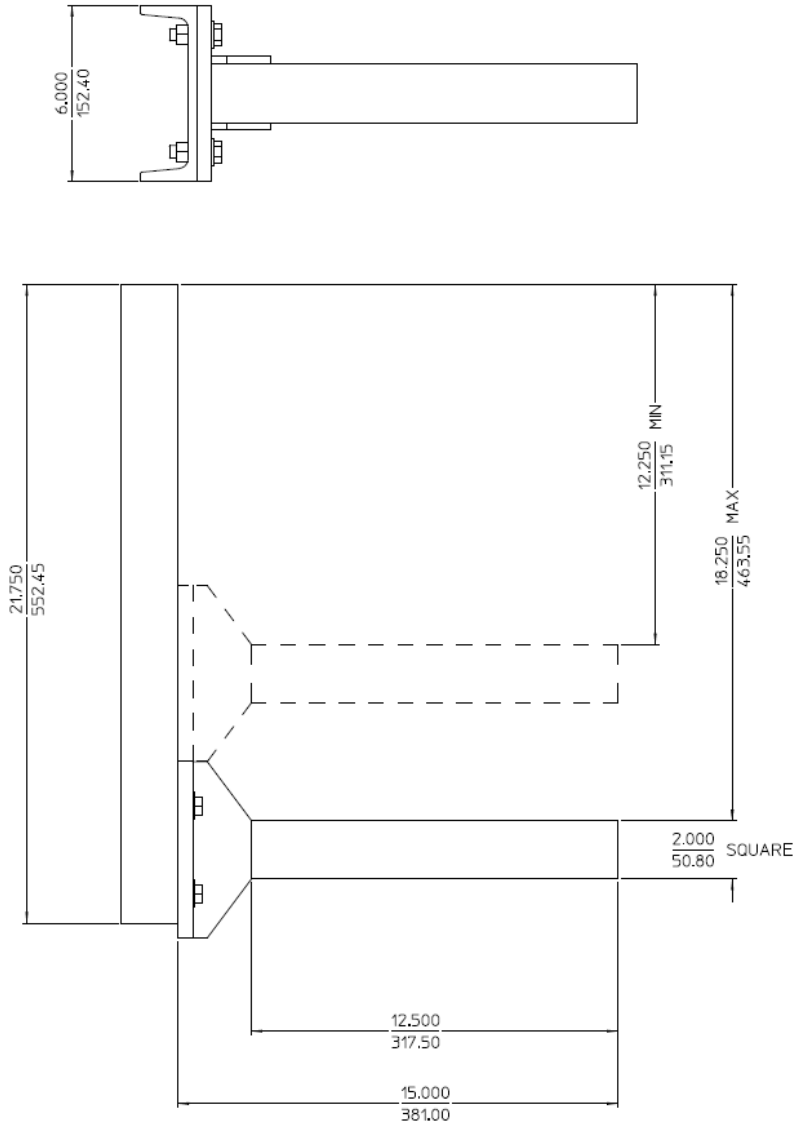


1/2 IN. RED TUBING  
10 FEET

SEPARATOR FILTER

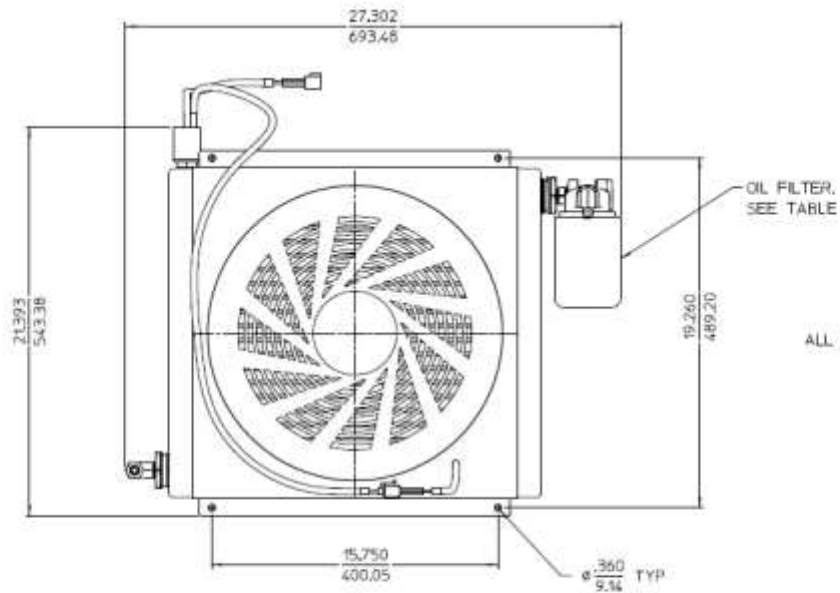
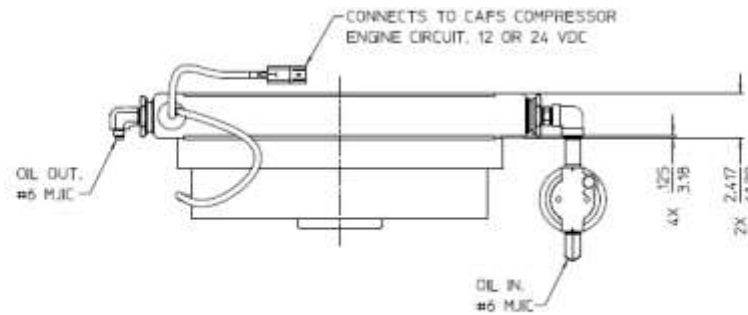
ALL DIMENSIONS SHOWN AS INCH/MILLIMETER  
(INCH)  
(MILLIMETER)

OPTIONAL SUMP VENT  
VENTS COMPRESSOR PRESSURE FOR  
10 SECONDS AT START-UP TO PREVENT ENGINE STALLING  
ORDER PART NO. 83293-2A (12V) OR 83293-2B (24V)



ALL DIMENSIONS SHOWN AS INCH/MILLIMETER  
 ( INCH )  
 ( MILLIMETER )

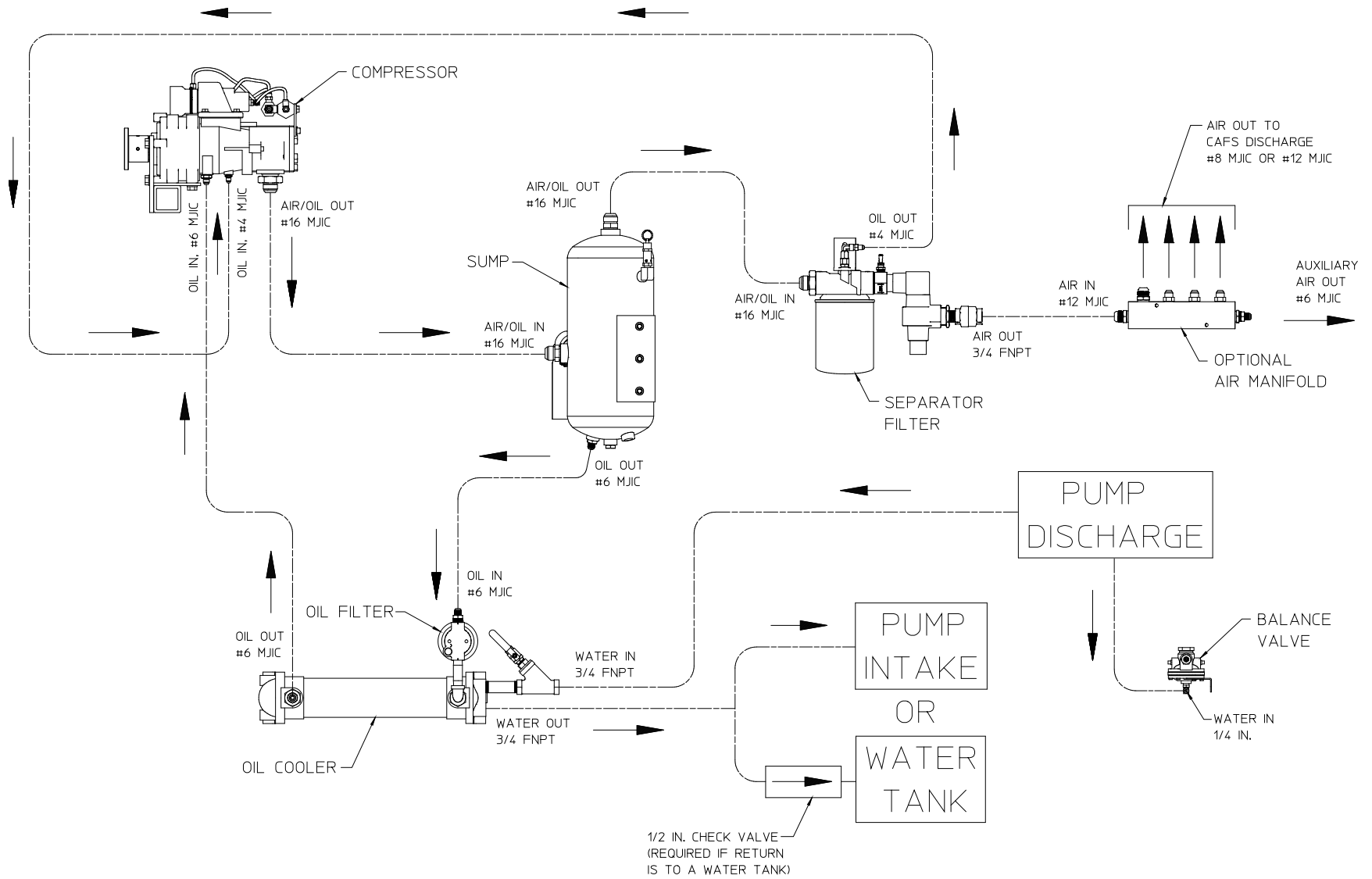
OPTIONAL MOUNTING BRACKETS



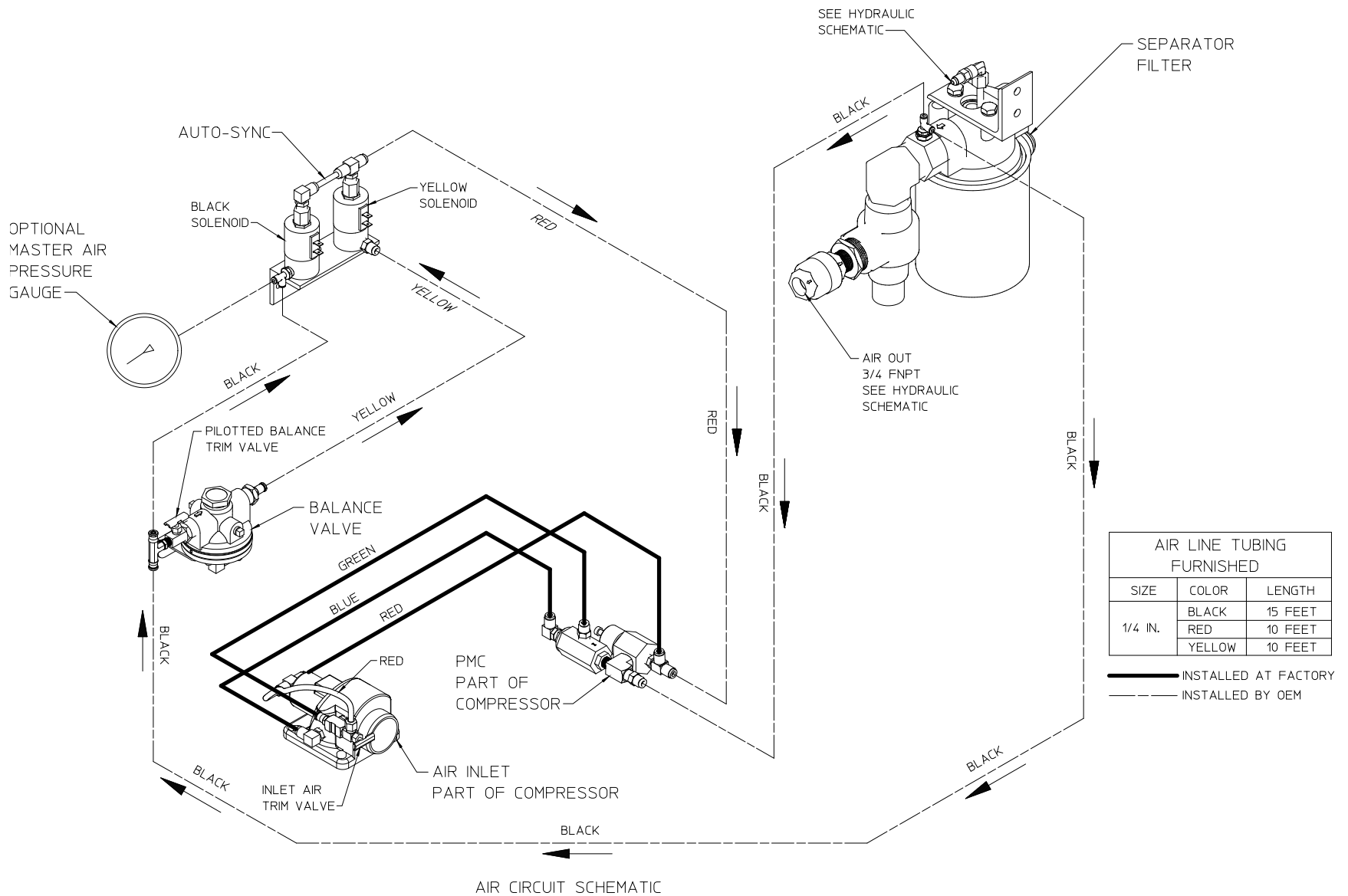
ALL DIMENSIONS SHOWN AS INCH/MILLIMETER  
( INCH / MILLIMETER )

OPTIONAL AIR OIL COOLER  
(ELECTRIC FAN)  
AVAILABLE AS FOLLOWS:

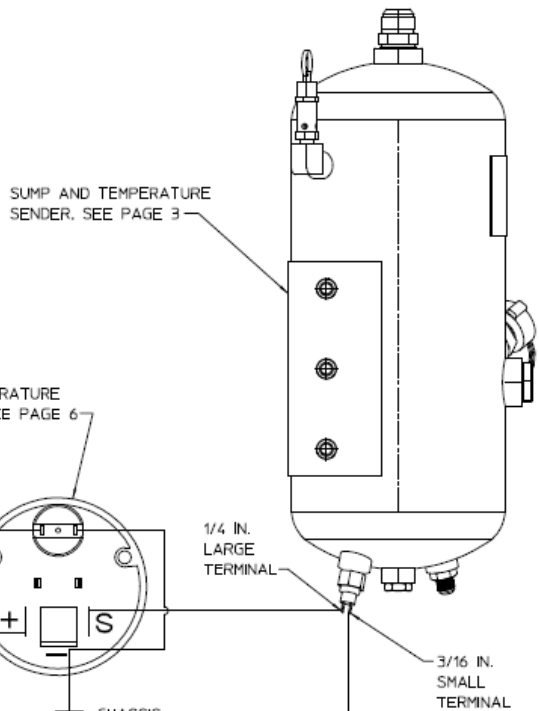
USE	OIL FILTER
AS MAIN COOLER	INCLUDED
AS SECONDARY COOLER	NOT INCLUDED (INCLUDED WITH OIL COOLER, SEE PAGE 4)



HYDRAULIC SCHEMATIC



IGNITION SWITCH  
POWER SOURCE +12 OR 24V



RESISTOR  
24V ONLY

OIL TEMPERATURE  
GAUGE, SEE PAGE 6

SUMP AND TEMPERATURE  
SENDER, SEE PAGE 3

1/4 IN.  
LARGE  
TERMINAL

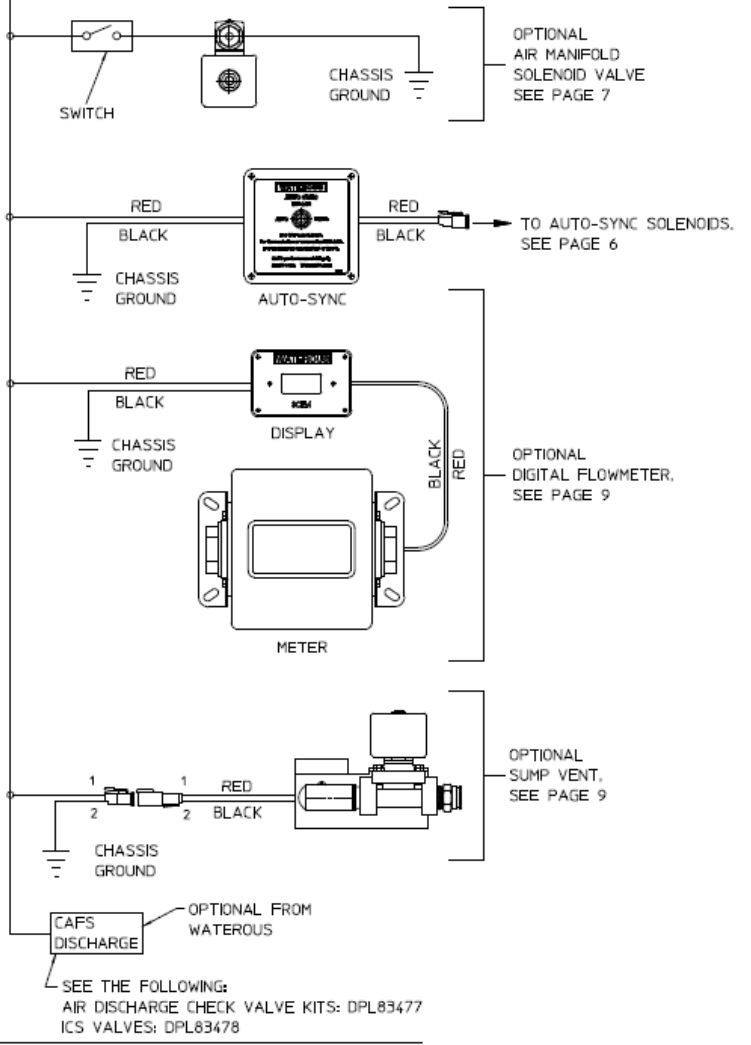
3/16 IN.  
SMALL  
TERMINAL

OPTIONAL  
COMPRESSOR OVERHEAT  
WARNING LIGHT

NOTE: WIRING AND LIGHT NOT  
FURNISHED BY WATEROUS

CAFS COMPRESSOR ENGAGE  
POWER SOURCE +12 OR 24V

WIRING NOT IDENTIFIED BY  
COLOR. SWITCHES AND LIGHTS  
NOT FURNISHED BY WATEROUS



NOTE: ALL WIRE 16 GAGE UNLESS NOTED OTHERWISE.

ELECTRICAL SCHEMATIC