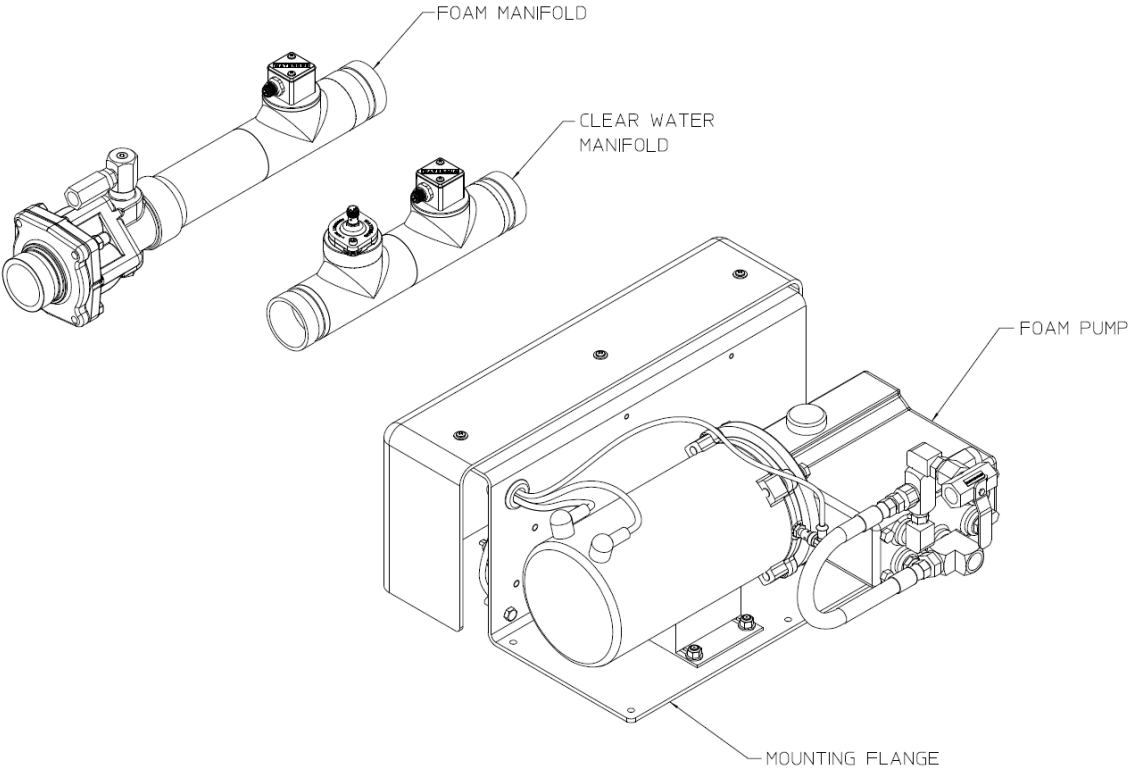
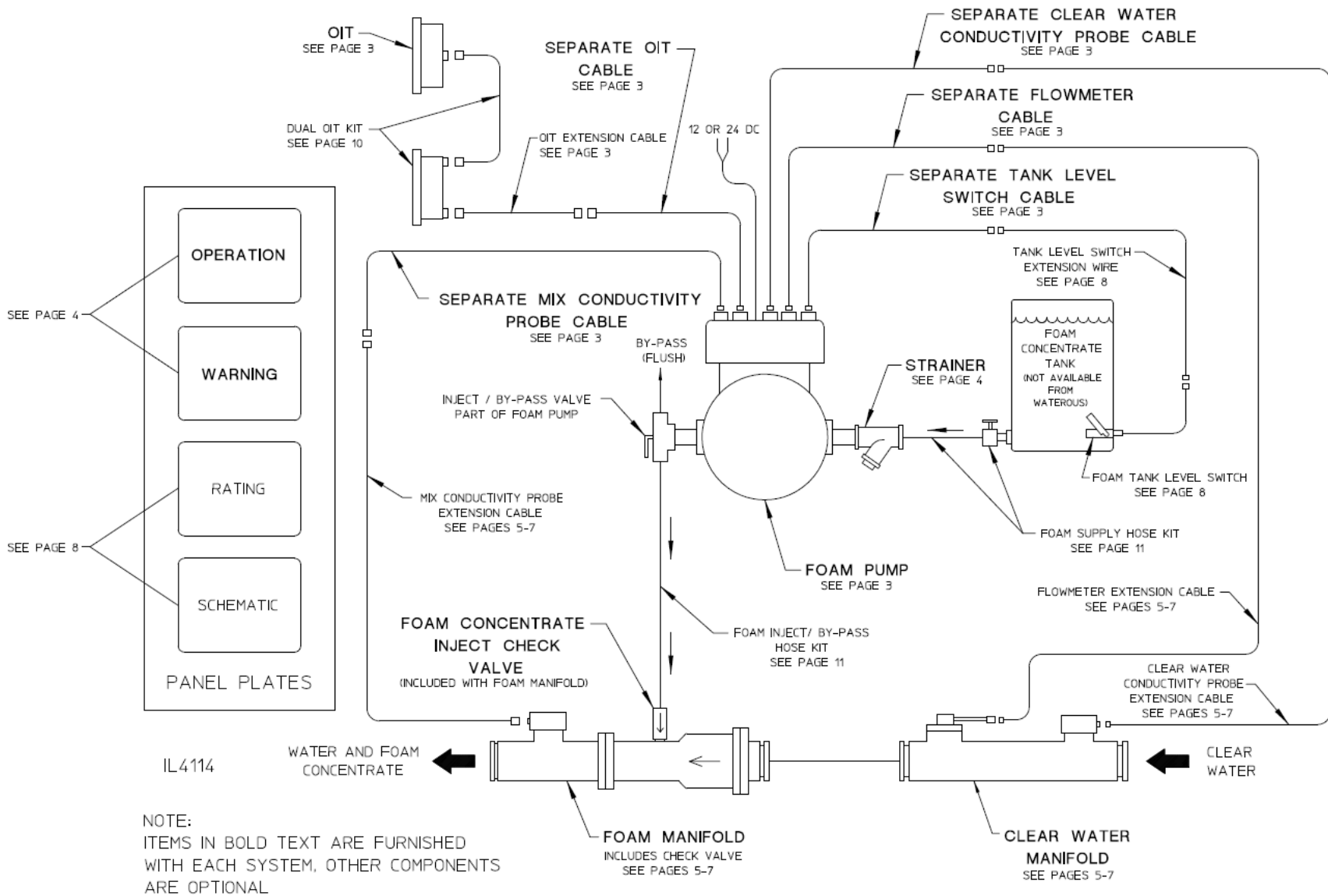


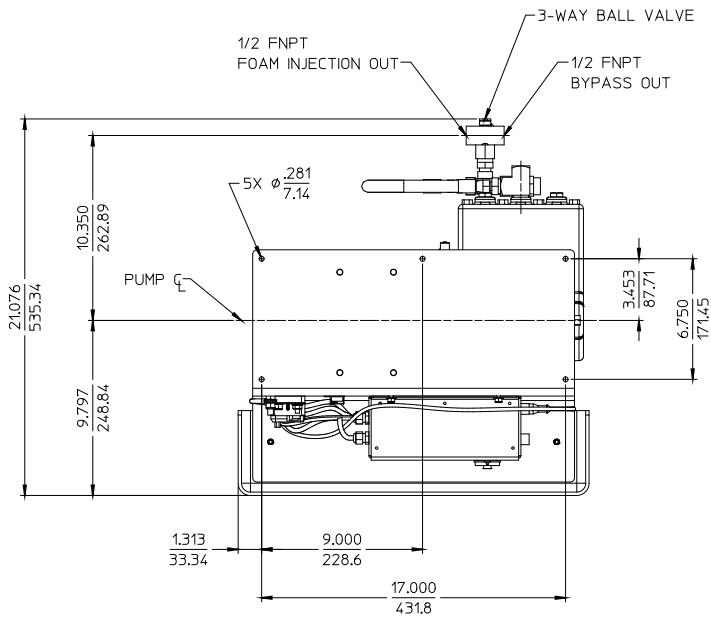
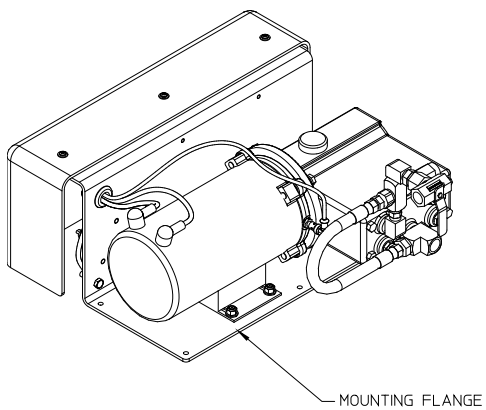
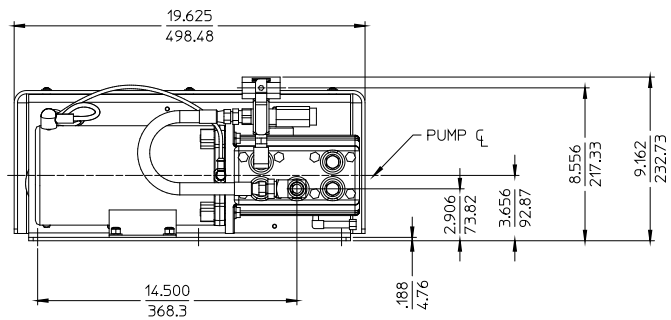
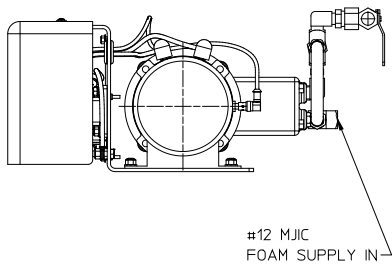
Foam System Dimensional Drawings
Model Advantus 3
Traditional CAFS



MODEL ADVANTUS 3

	Page
System Schematic	2
Standard Components:	
Foam Pump	3
OIT (Operator Interface Terminal).....	4
Foam Line Strainer.....	4
Manifolds:	
Foam	5-7
Clear Water	5-7
Optional Components:	
Panel Plates	8
Foam Tank Level Switch	8
Cable Extensions:	
OIT.....	4
Mix Conductivity Probe.....	5-7
Clear Conductivity Probe	5-7
Flowmeter	5-7
Foam Tank Level Switch	8
Panel Mounted Foam Line Strainer	9
Dual OIT Kit.....	10
Foam Supply Hose Kit	11
Foam Inject/Bypass Hose Kit	11
Foam Pick Up Hose:	
Hoses Only	12
Overboard Foam Pick Up Kit	See DPL83493
FoamFill System.....	See DPL83460
Dual Tank Selector Kit.....	See DPL83467
Remote System Activation Module ..	See DPL83495
Electrical Connections:	
Foam Tank Level Switch	8
Foam Pump Power	12



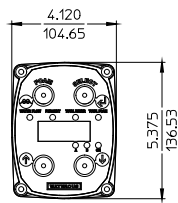


- 9.9 FT / 3 METERS - MIX PROBE (GRAY)
- 9.9 FT / 3 METERS - FLOW METER
- 19.6 FT / 6 METERS - OIT
- 9.9 FT / 3 METERS - CLEAR PROBE (BLACK)
- 13.1 FT / 4 METERS - FOAM TANK LEVEL SWITCH

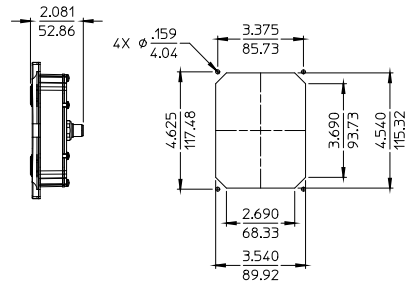
CABLES FURNISHED

ALL DIMENSIONS SHOWN AS INCH/MILLIMETER
INCH
(MILLIMETER)

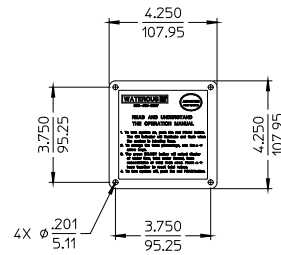
FOAM PUMP MODEL - ADVANTUS 3



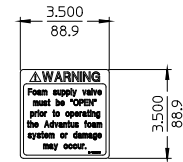
OIT



PANEL CUT-OUT



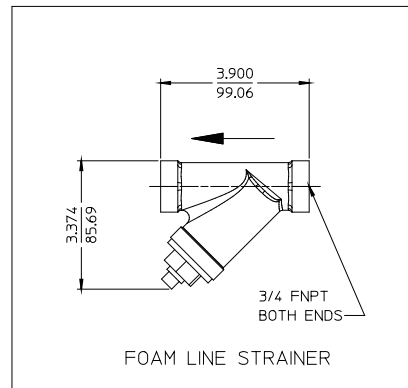
SEPARATE INSTRUCTION
PANEL PLATE



SEPARATE
WARNING LABEL
(SELF-ADHESIVE)

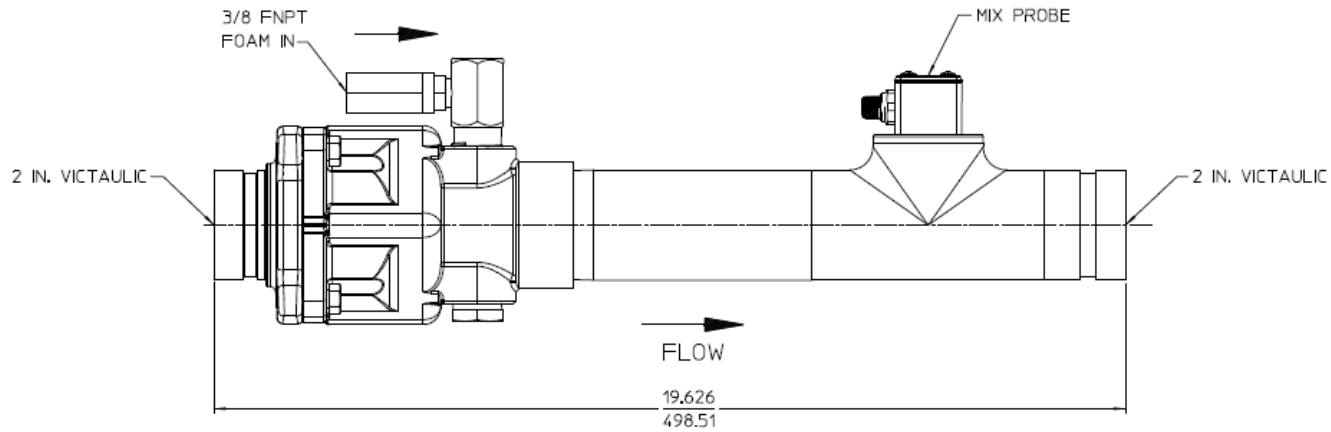
OIT (OPERATORS INTERFACE TERMINAL)

AVAILABLE CABLE EXTENSIONS:
9.8 FT / 3 METERS - ORDER PART NO. Q-4310006
19.6 FT / 6 METERS - ORDER PART NO. Q-4310007



FOAM LINE STRAINER

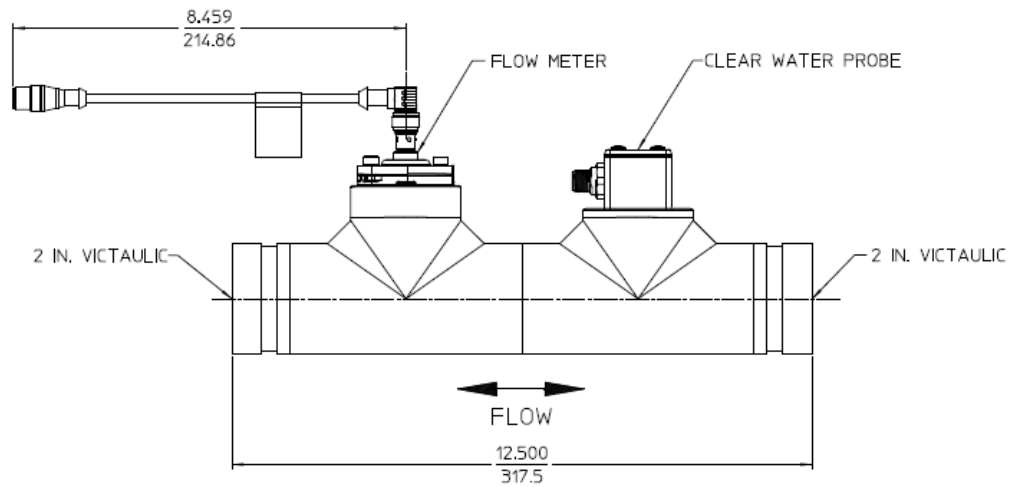
ALL DIMENSIONS SHOWN AS INCH/MILLIMETER
(INCH)
(MILLIMETER)



FOAM MANIFOLD

AVAILABLE CABLE EXTENSIONS:

- MIX PROBE — 6.6 FT / 2 METERS - ORDER PART NO. Q-4310001
- 9.9 FT / 3 METERS - ORDER PART NO. Q-4310000

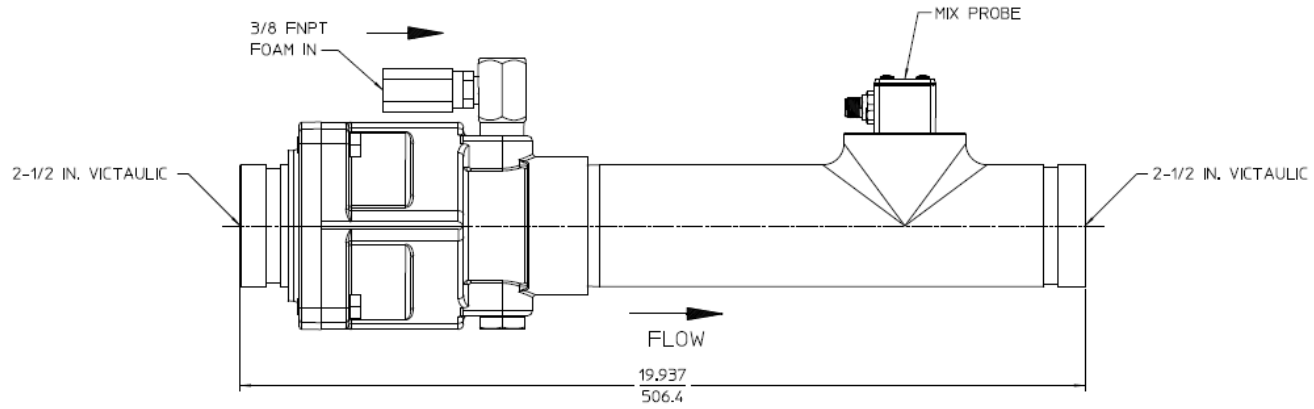


CLEAR WATER MANIFOLD

AVAILABLE CABLE EXTENSIONS:

- FLOW METER — 13.1 FT / 4 METERS - ORDER PART NO. Q-4310017
- CLEAR WATER PROBE — 6.6 FT / 2 METERS - ORDER PART NO. Q-4310009
- 9.9 FT / 3 METERS - ORDER PART NO. Q-4310008

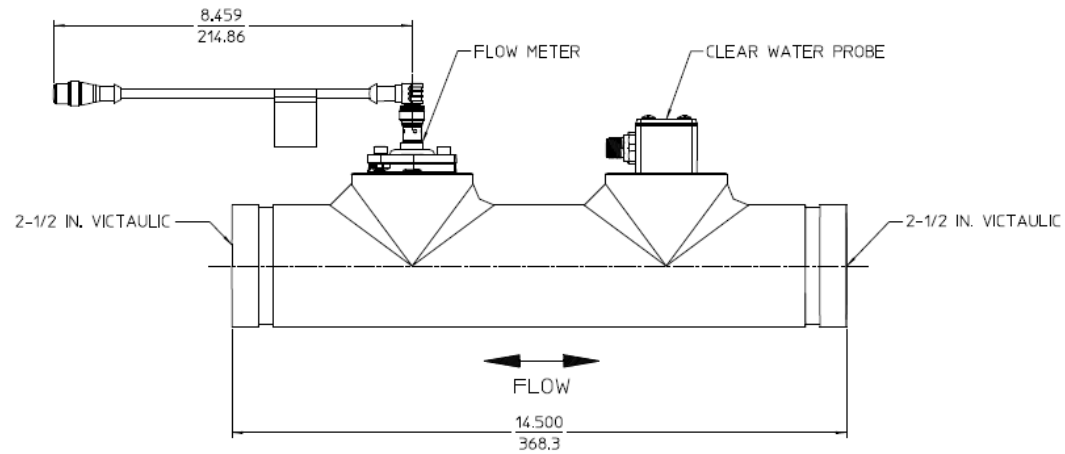
2 IN. MANIFOLDS



FOAM MANIFOLD

AVAILABLE CABLE EXTENSIONS:

- MIX PROBE — 6.6 FT / 2 METERS - ORDER PART NO. Q-4310001
- 9.9 FT / 3 METERS - ORDER PART NO. Q-4310000

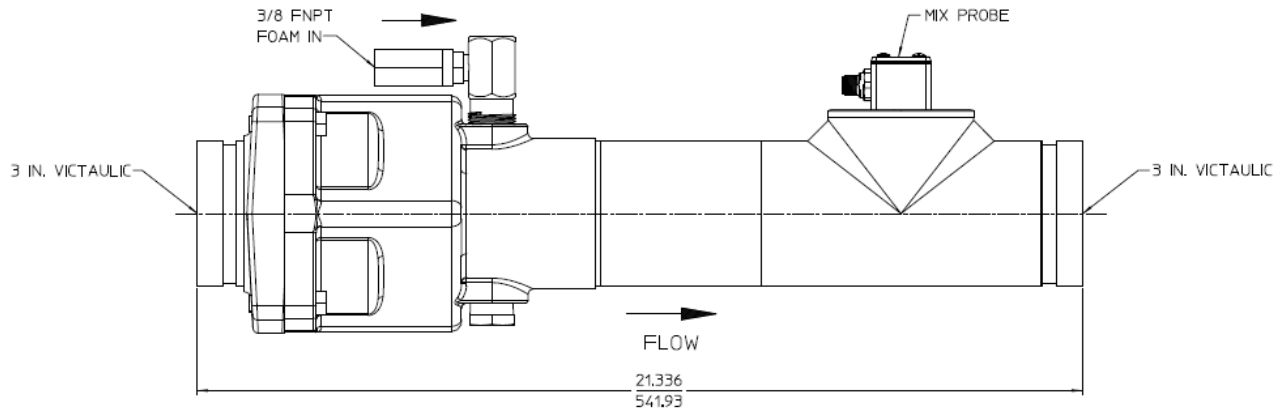


CLEAR WATER MANIFOLD

AVAILABLE CABLE EXTENSIONS:

- FLOW METER — 13.1 FT / 4 METERS - ORDER PART NO. Q-4310017
- CLEAR WATER PROBE — 6.6 FT / 2 METERS - ORDER PART NO. Q-4310009
- 9.9 FT / 3 METERS - ORDER PART NO. Q-4310008

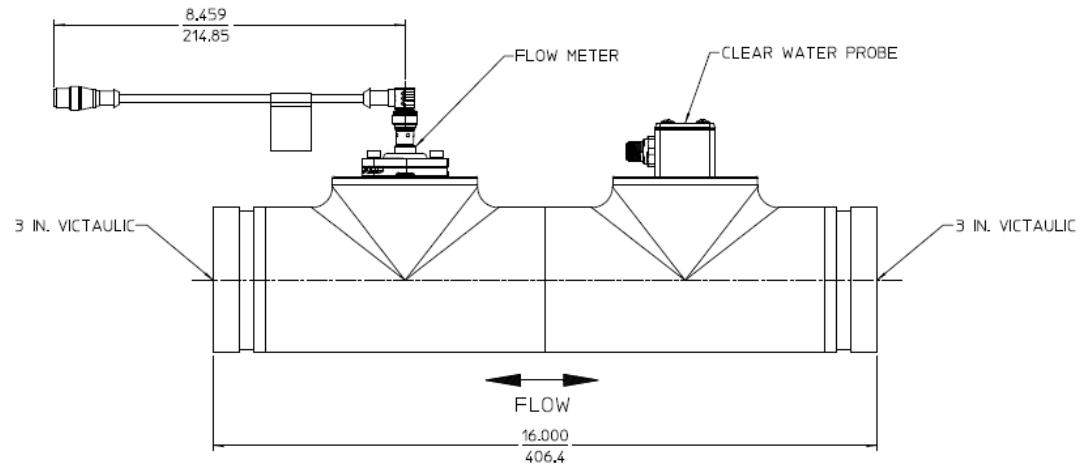
2-1/2 IN. MANIFOLDS



FOAM MANIFOLD

AVAILABLE CABLE EXTENSIONS:

- MIX PROBE — 6.6 FT / 2 METERS - ORDER PART NO. Q-4310001
- 9.9 FT / 3 METERS - ORDER PART NO. Q-4310000



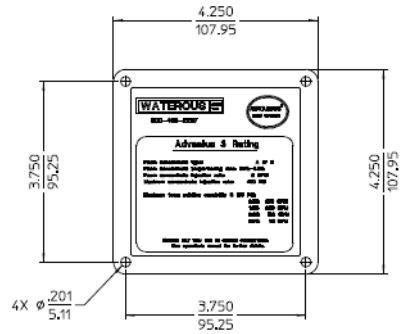
CLEAR WATER MANIFOLD

AVAILABLE CABLE EXTENSIONS:

- FLOW METER — 13.1 FT / 4 METERS - ORDER PART NO. Q-4310017
- CLEAR WATER PROBE — 6.6 FT / 2 METERS - ORDER PART NO. Q-4310009
- 9.9 FT / 3 METERS - ORDER PART NO. Q-4310008

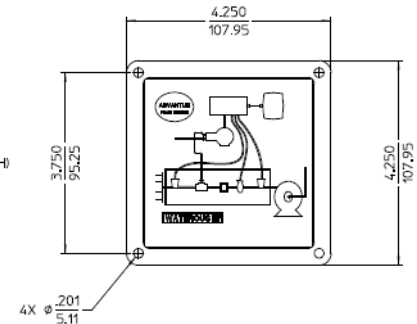
3 IN. MANIFOLDS

ORDER PART NO'S:
 Q-0315280 (ENGLISH)
 63754 (CHINESE)

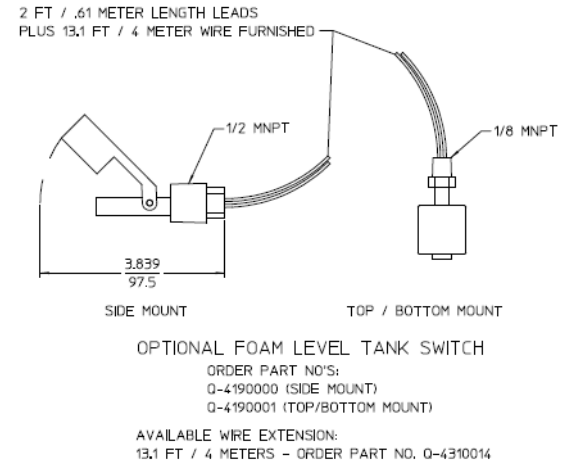
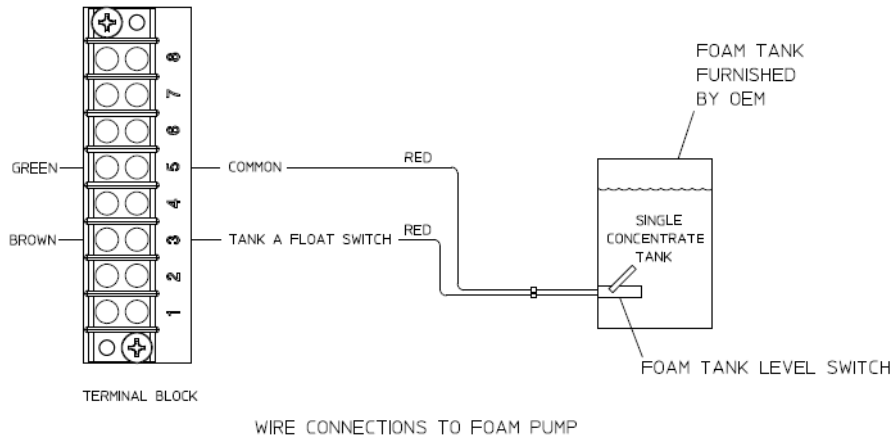


OPTIONAL RATING PANEL PLATE

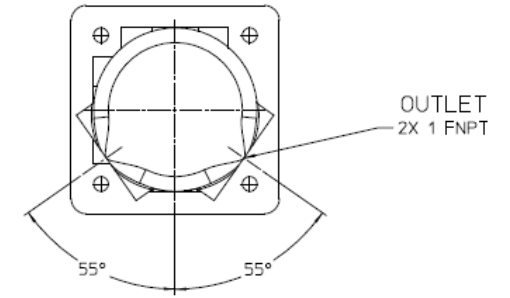
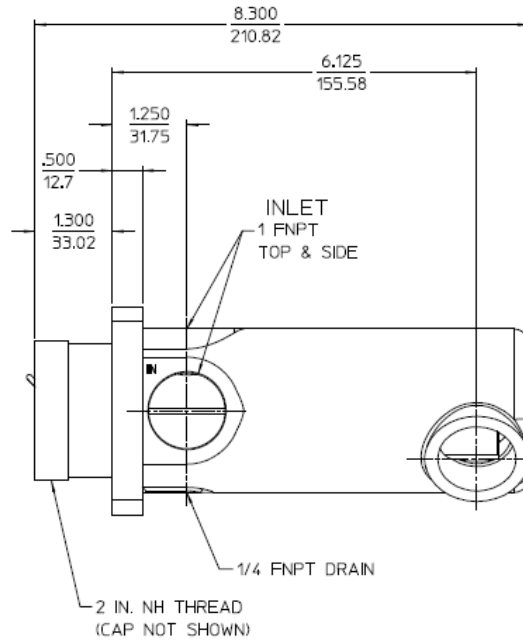
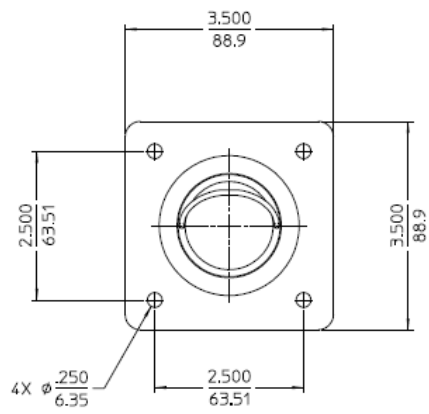
ORDER PART NO'S:
 Q-0315279 (ENGLISH)
 63757 (CHINESE)



OPTIONAL SCHEMATIC PANEL PLATE



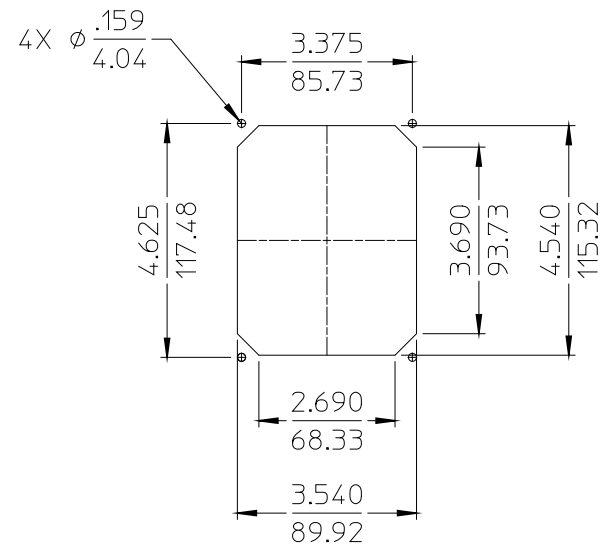
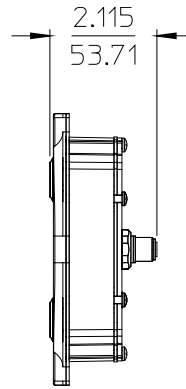
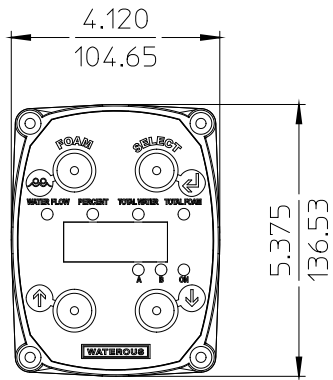
ALL DIMENSIONS SHOWN AS INCH/MILLIMETER
 (INCH / MILLIMETER)



OPTIONAL PANEL MOUNTED FOAM LINE STRAINER

NO. 10 MESH, INCLUDES CAP AND CHAIN
ORDER PART NO. Q-2450011

ALL DIMENSIONS SHOWN AS INCH/MILLIMETER
($\frac{\text{INCH}}{\text{MILLIMETER}}$)



PANEL CUT-OUT

INCLUDES 19.6 FT / 6 METER CABLE

ORDER PART NO.
 83459-1B (ENGLISH)
 83459-2B (CHINESE)

OPTIONAL DUAL OIT KIT

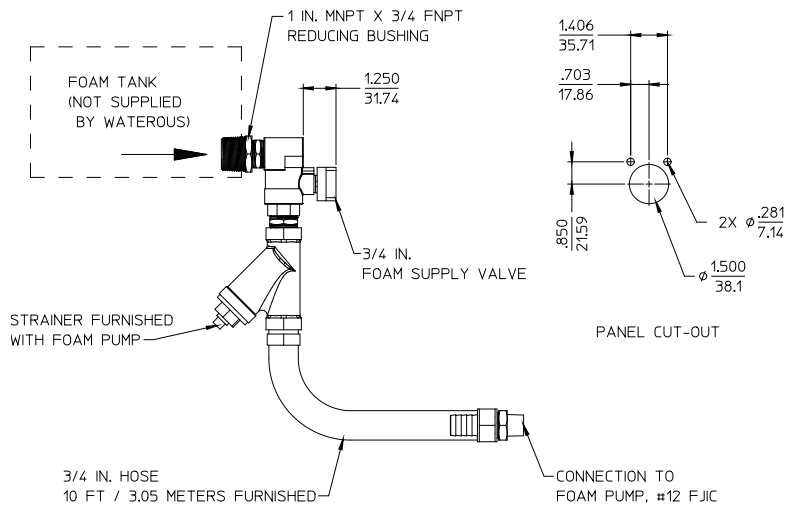
AVAILABLE CABLE EXTENSIONS:

9.8 FT / 3 METERS - ORDER PART NO. Q-4310006

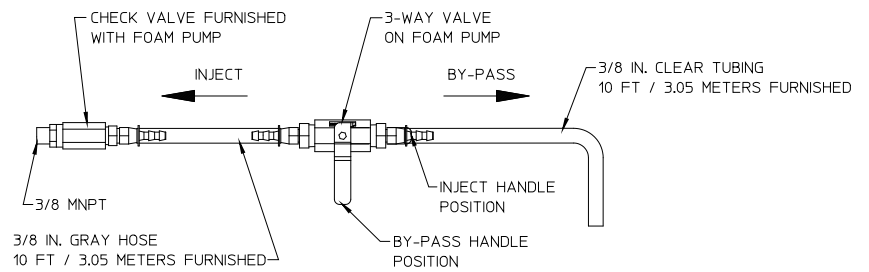
19.6 FT / 6 METERS - ORDER PART NO. Q-4310007

ALL DIMENSIONS SHOWN AS INCH/MILLIMETER

($\frac{\text{INCH}}{\text{MILLIMETER}}$)



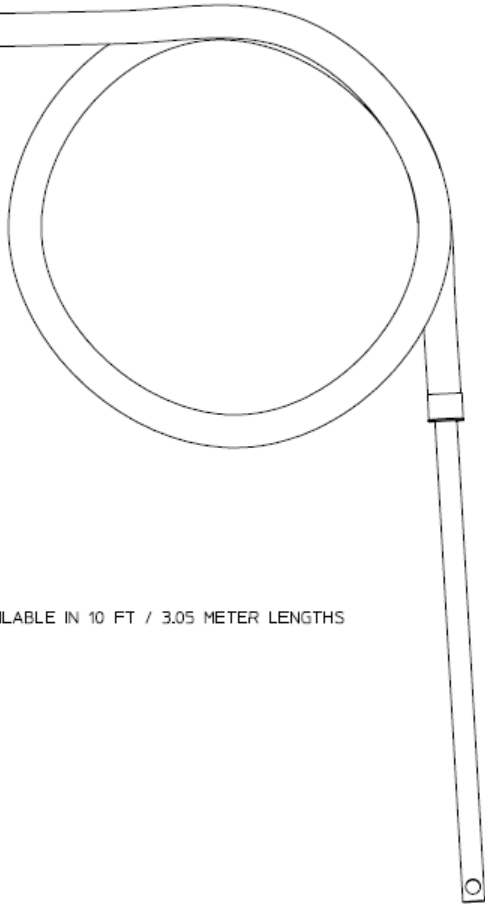
OPTIONAL FOAM SUPPLY HOSE KIT
ORDER PART NO. 83430-1B



OPTIONAL FOAM INJECTION / BY-PASS HOSE KIT
ORDER PART NO. 83430-2A

ALL DIMENSIONS SHOWN AS INCH/MILLIMETER
($\frac{\text{INCH}}{\text{MILLIMETER}}$)

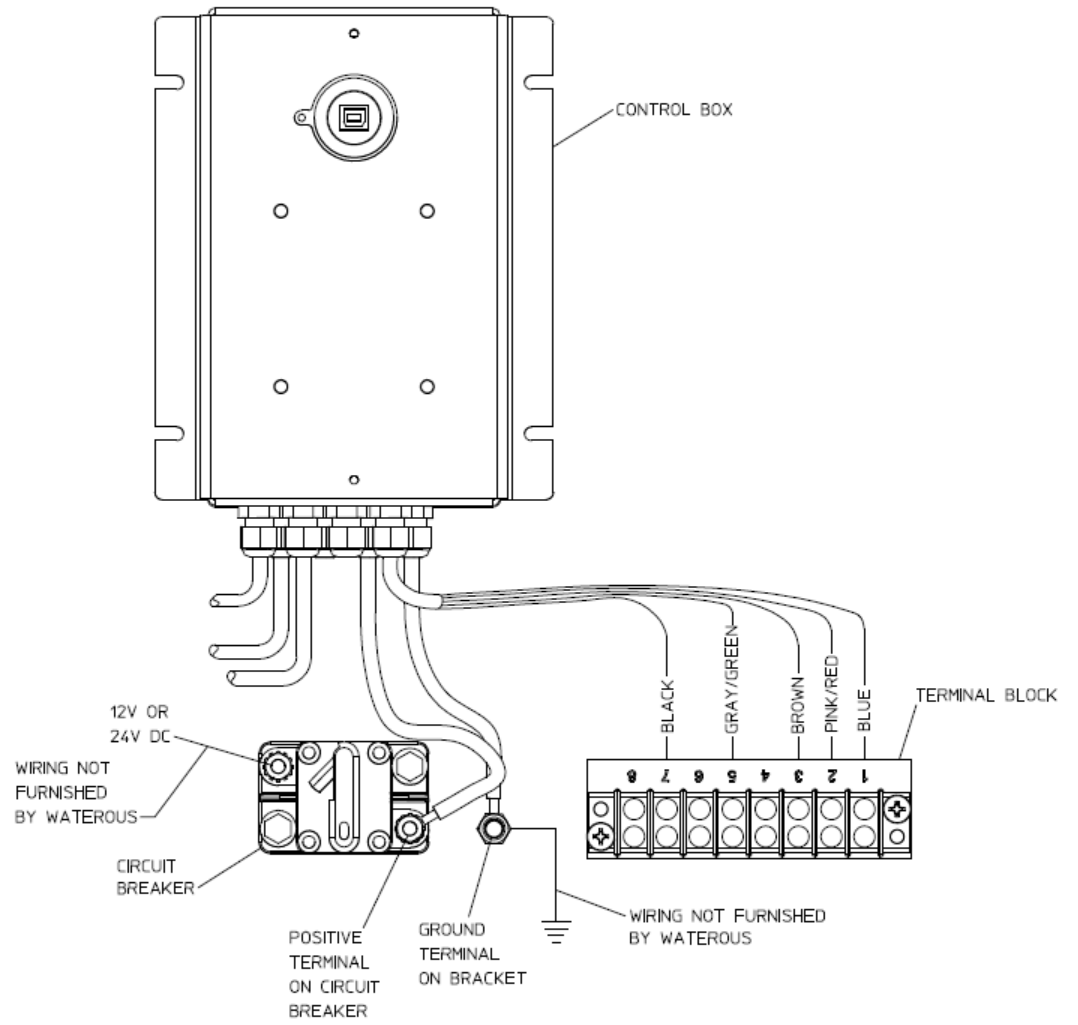
3/4 MNPT ON 3/4 HOSE
 1 MNPT ON 1 HOSE



AVAILABLE IN 10 FT / 3.05 METER LENGTHS

OPTIONAL FOAM PICK UP HOSES
 ORDER PART NO:
 3/4 IN. HOSE - 0-0308048
 1 IN. HOSE - 0-0308059

FOAM PUMP WITH COVER REMOVED



ELECTRICAL CONNECTIONS
 FOAM PUMP POWER