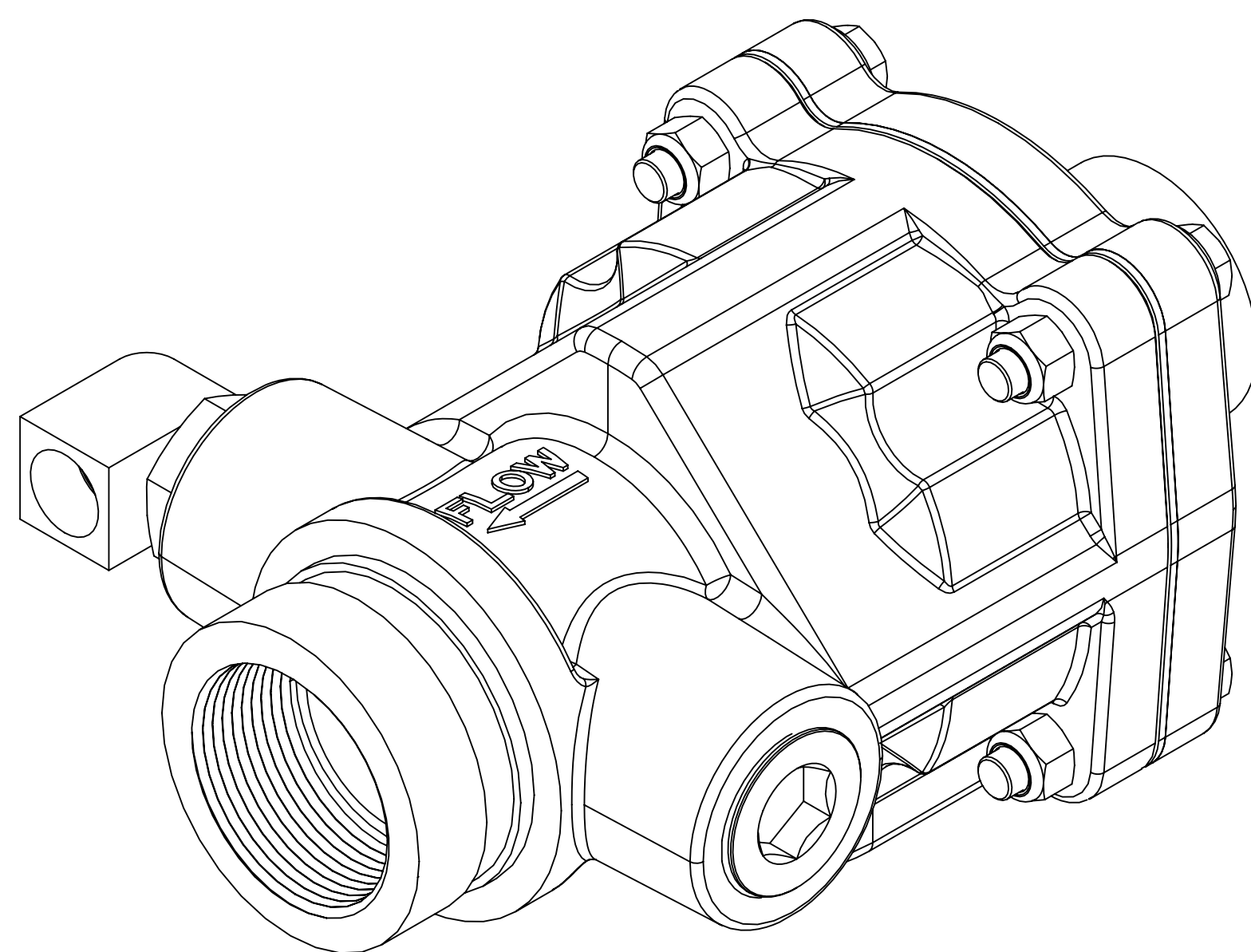
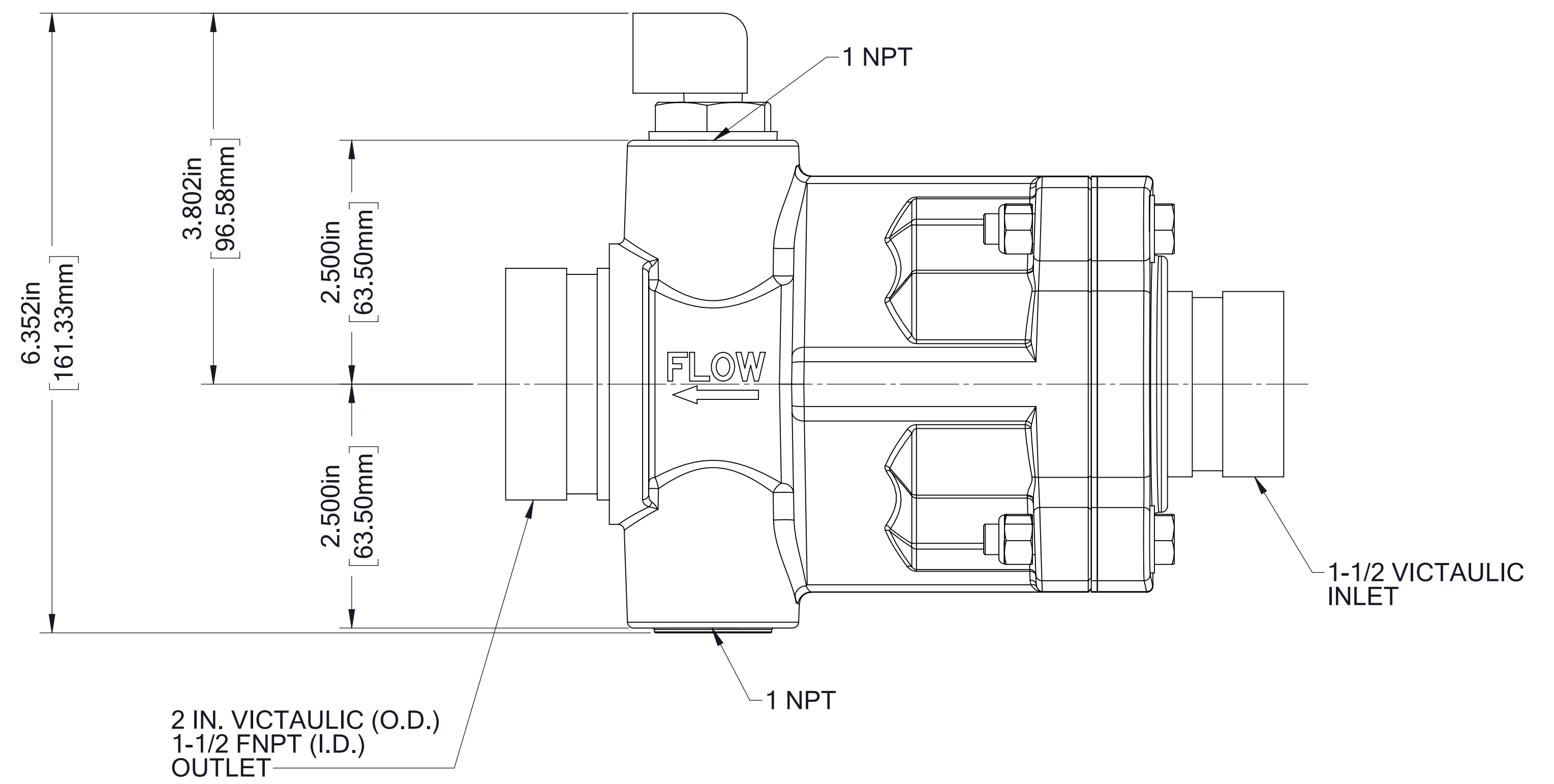
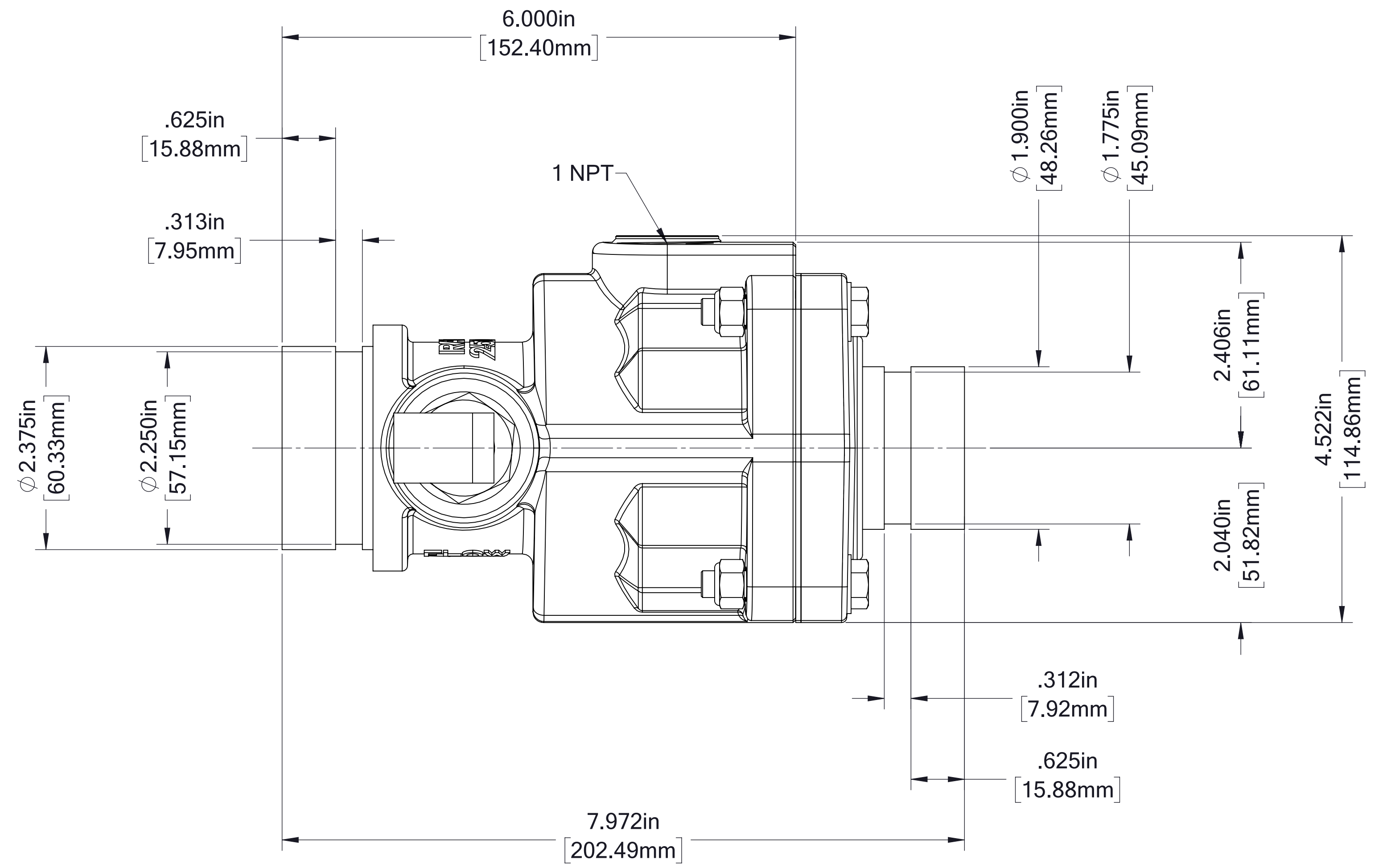
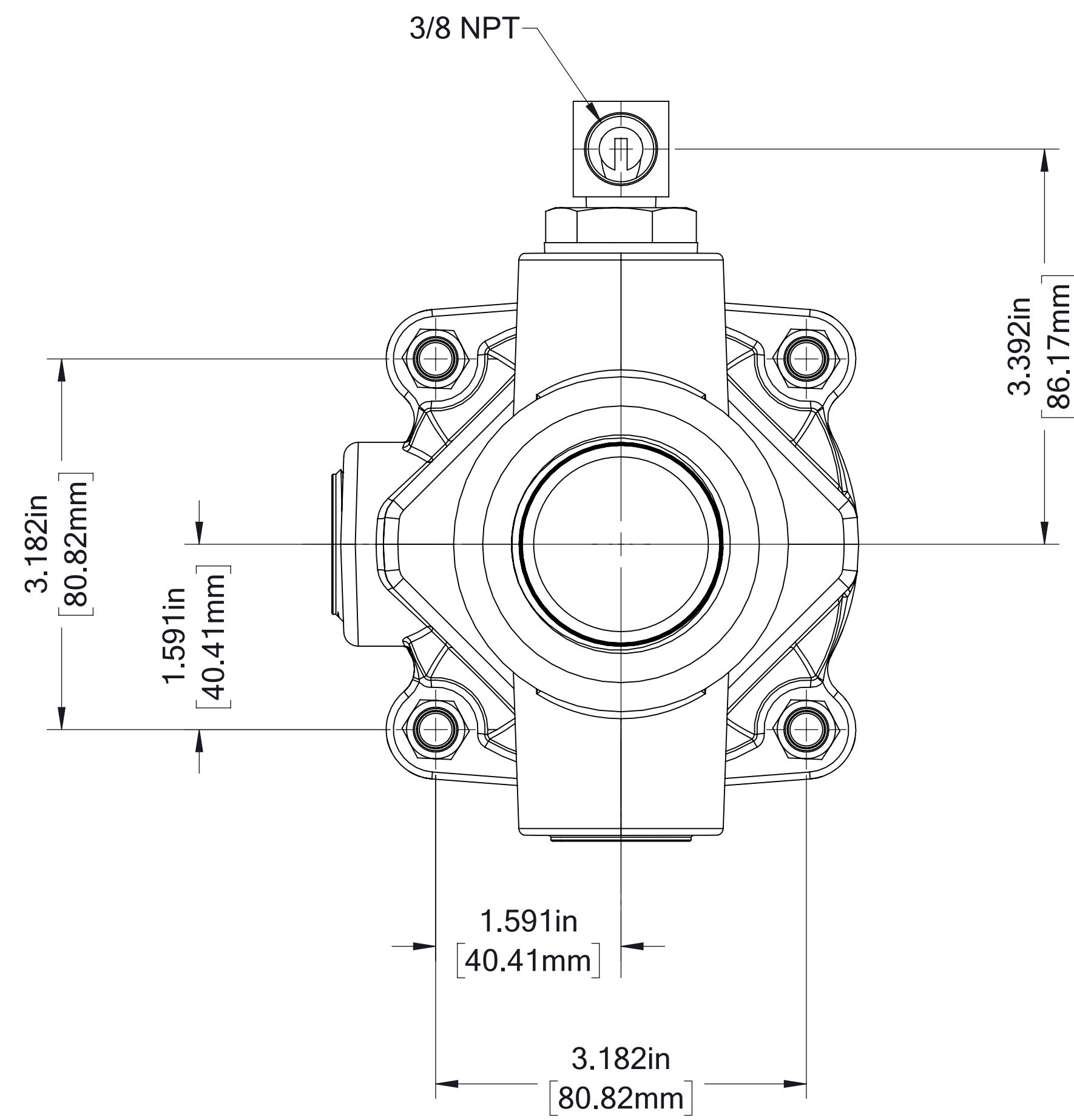


Master Waterway Check Valve Dimensional Drawings

Optional for Aquis Foam Systems

Valve		Part Number	See Page	
Size	Connections			
	Inlet			Outlet
1.5 in.	Victaulic	FNPT/Victaulic	83380-2A	2
	FNPT	FNPT/Victaulic	83380-2B	3
2.0 in.	Victaulic	FNPT	83380-2C	4
		Victaulic	83380-2D	5
2.5 in.	Victaulic	FNPT	83380-2E	6
		Victaulic	83380-2F	7

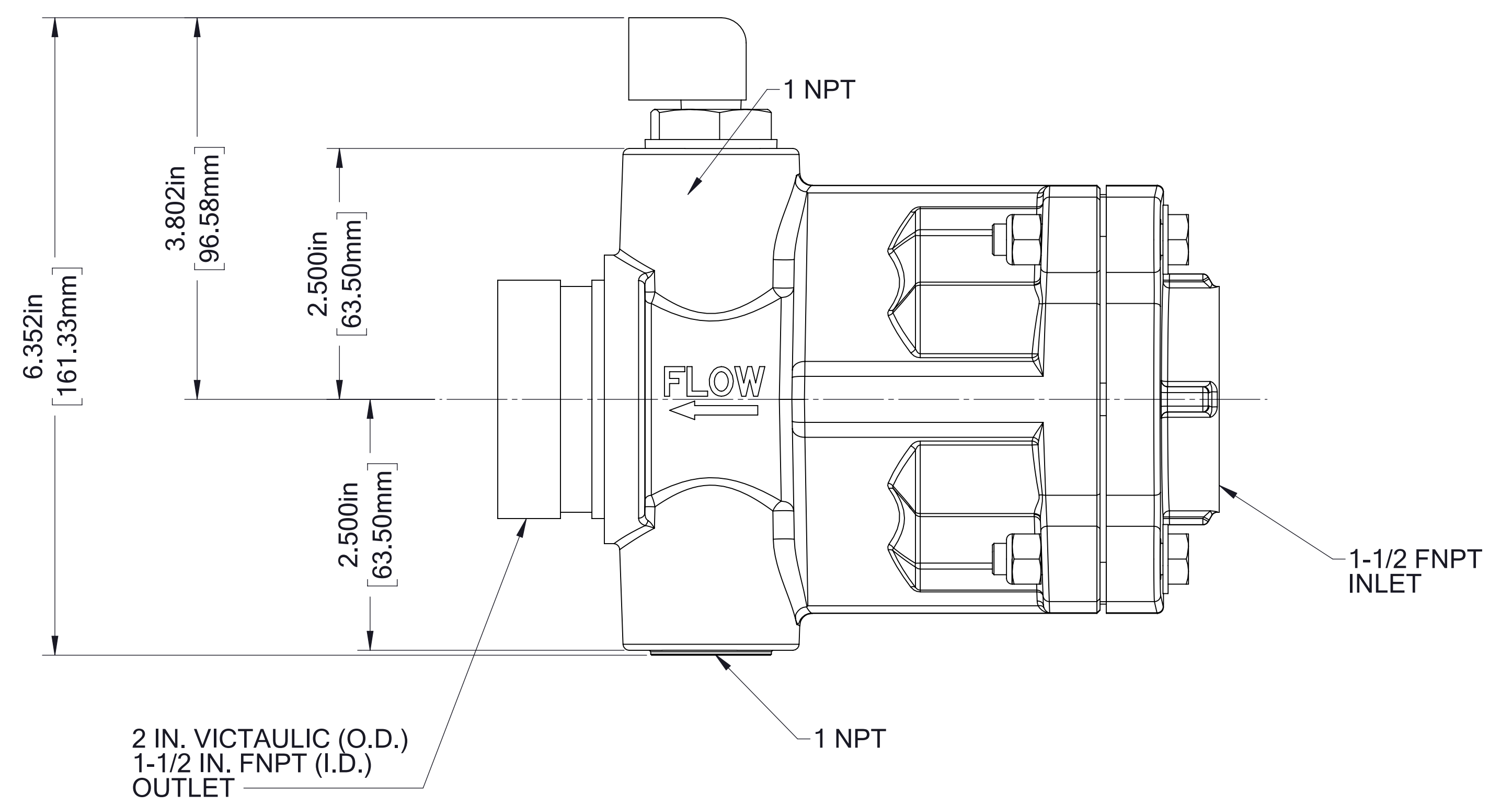
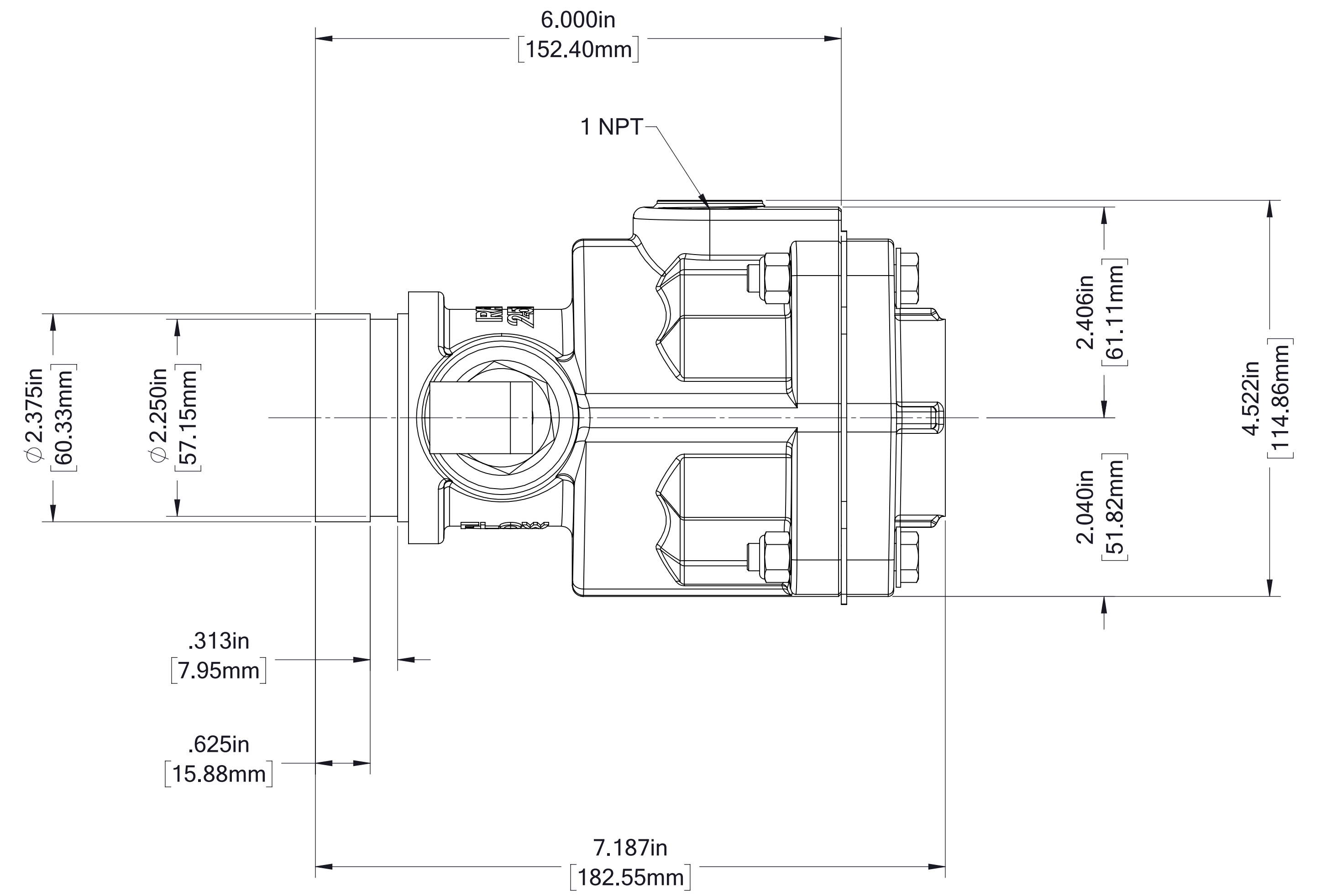
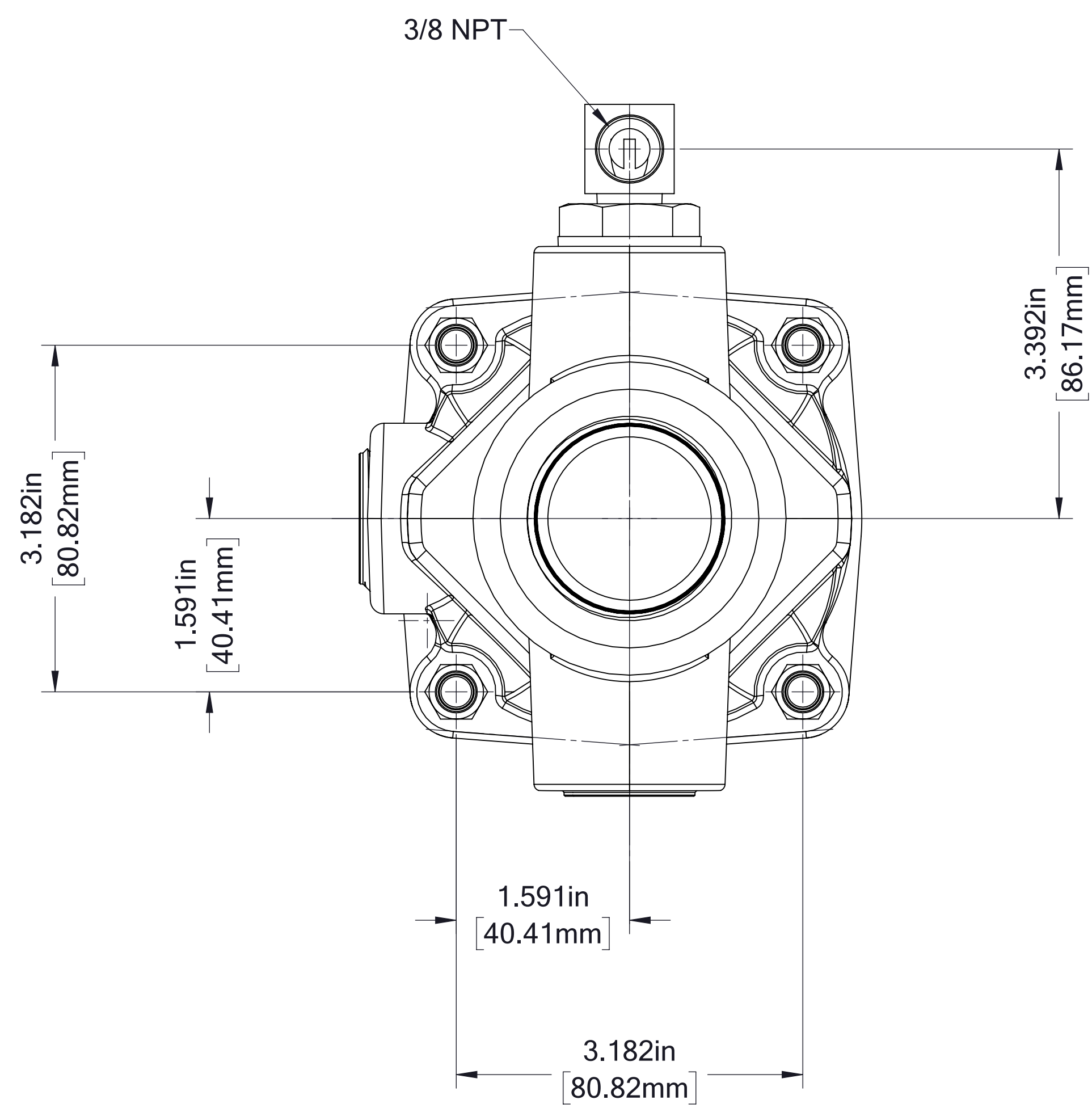




ELKHART CHECK VALVE, 1.5 IN.

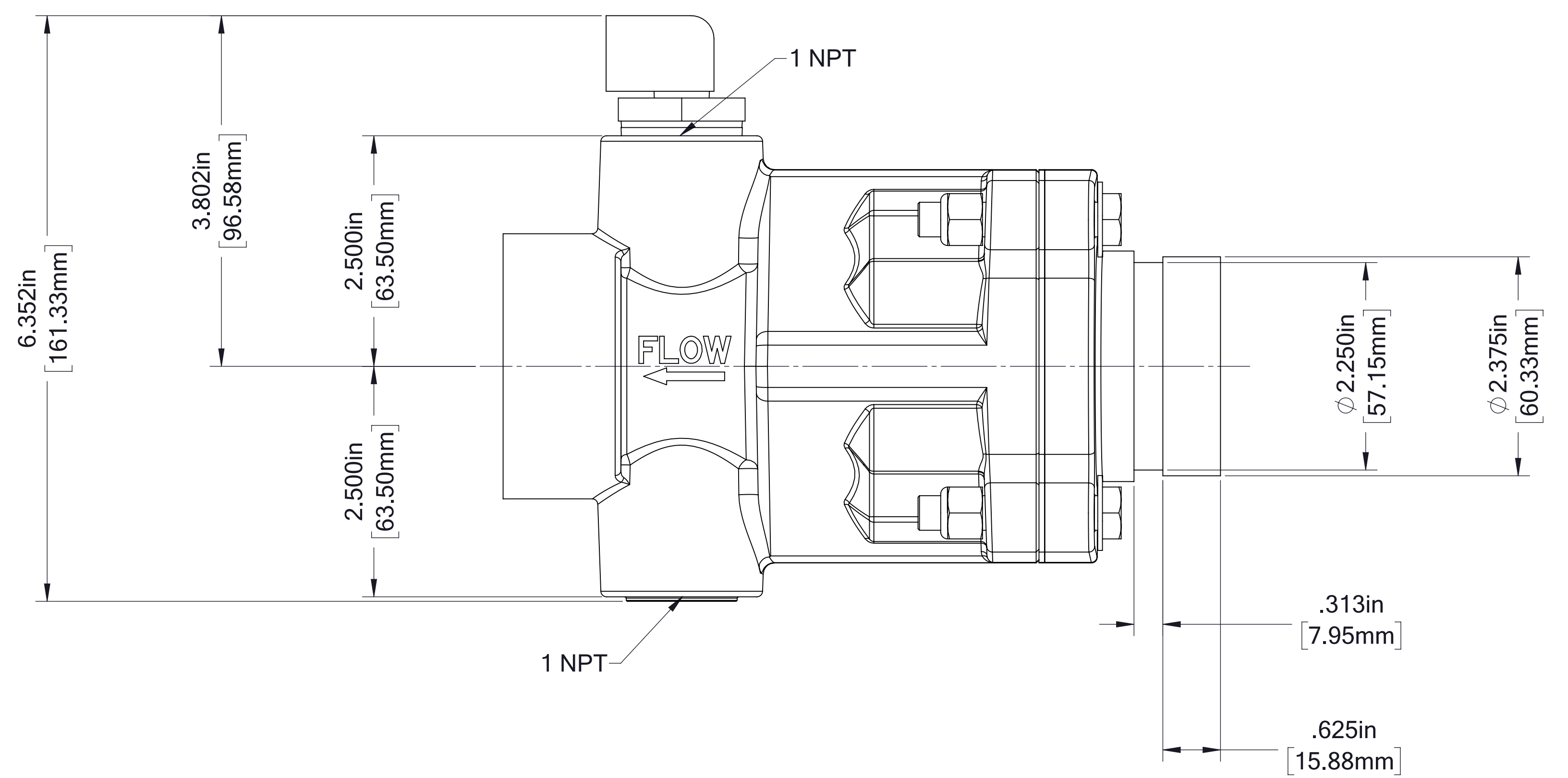
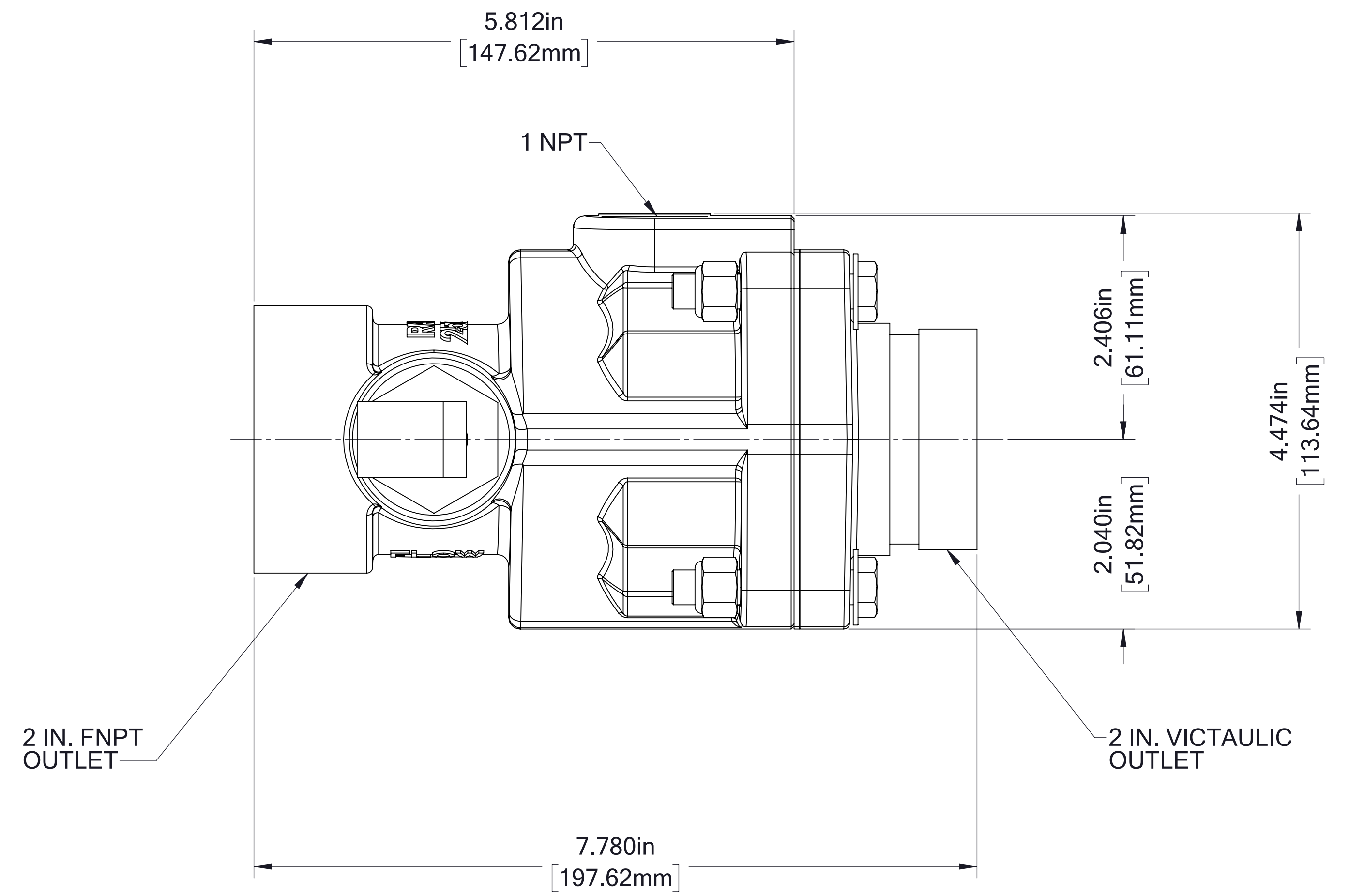
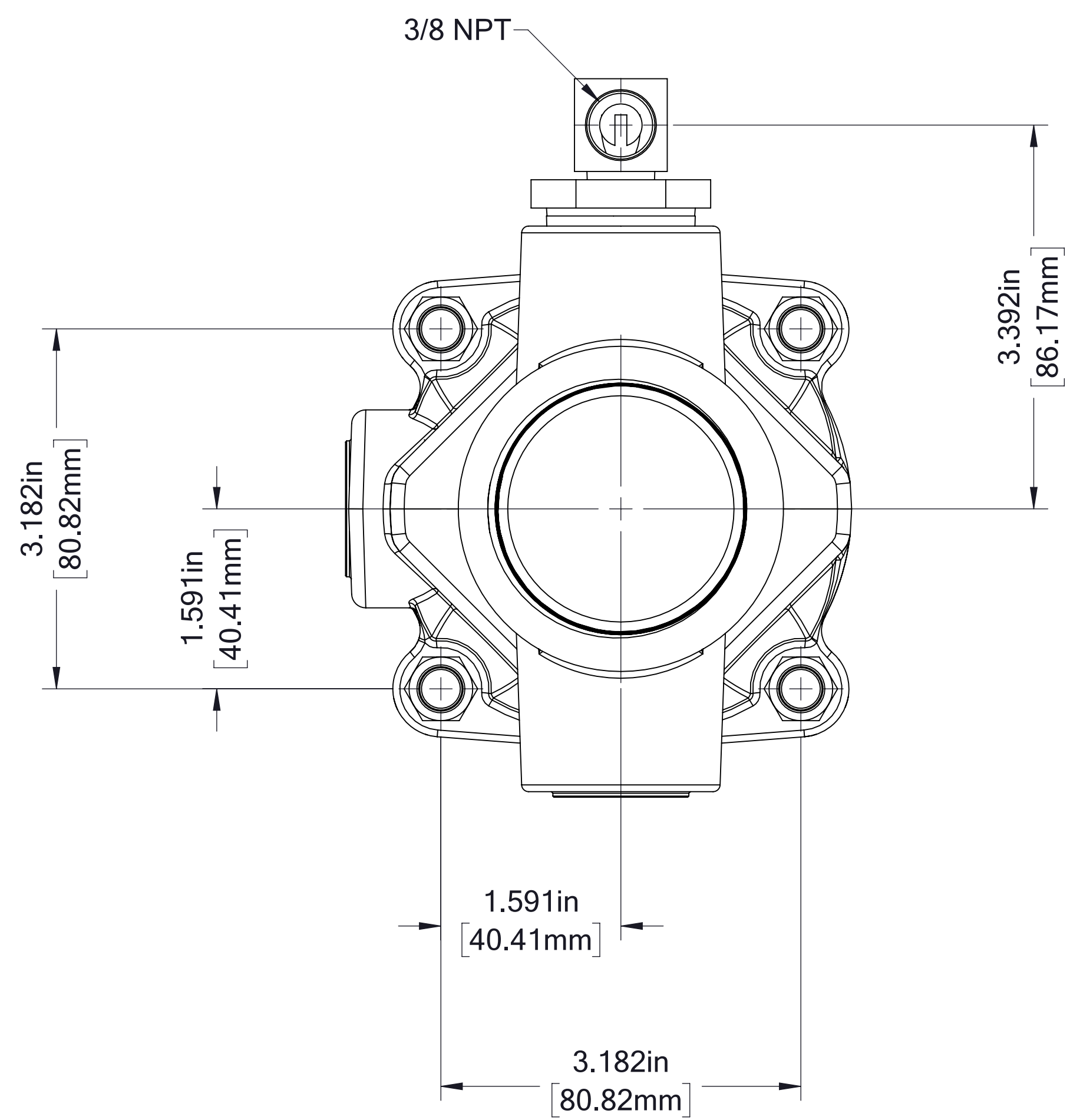
VICTAULIC/FNPT X VICTAULIC

PART NUMBER: 83380-2A



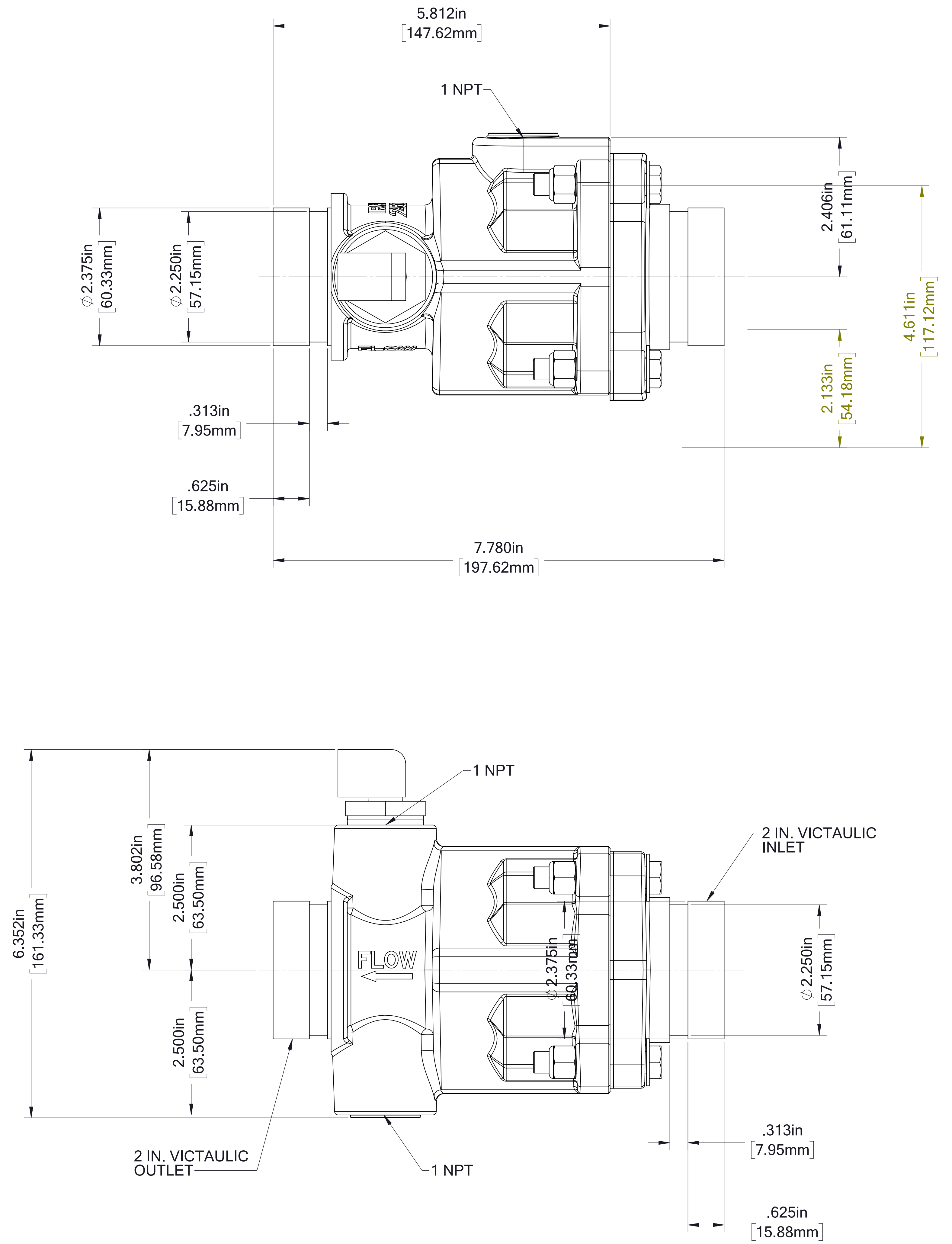
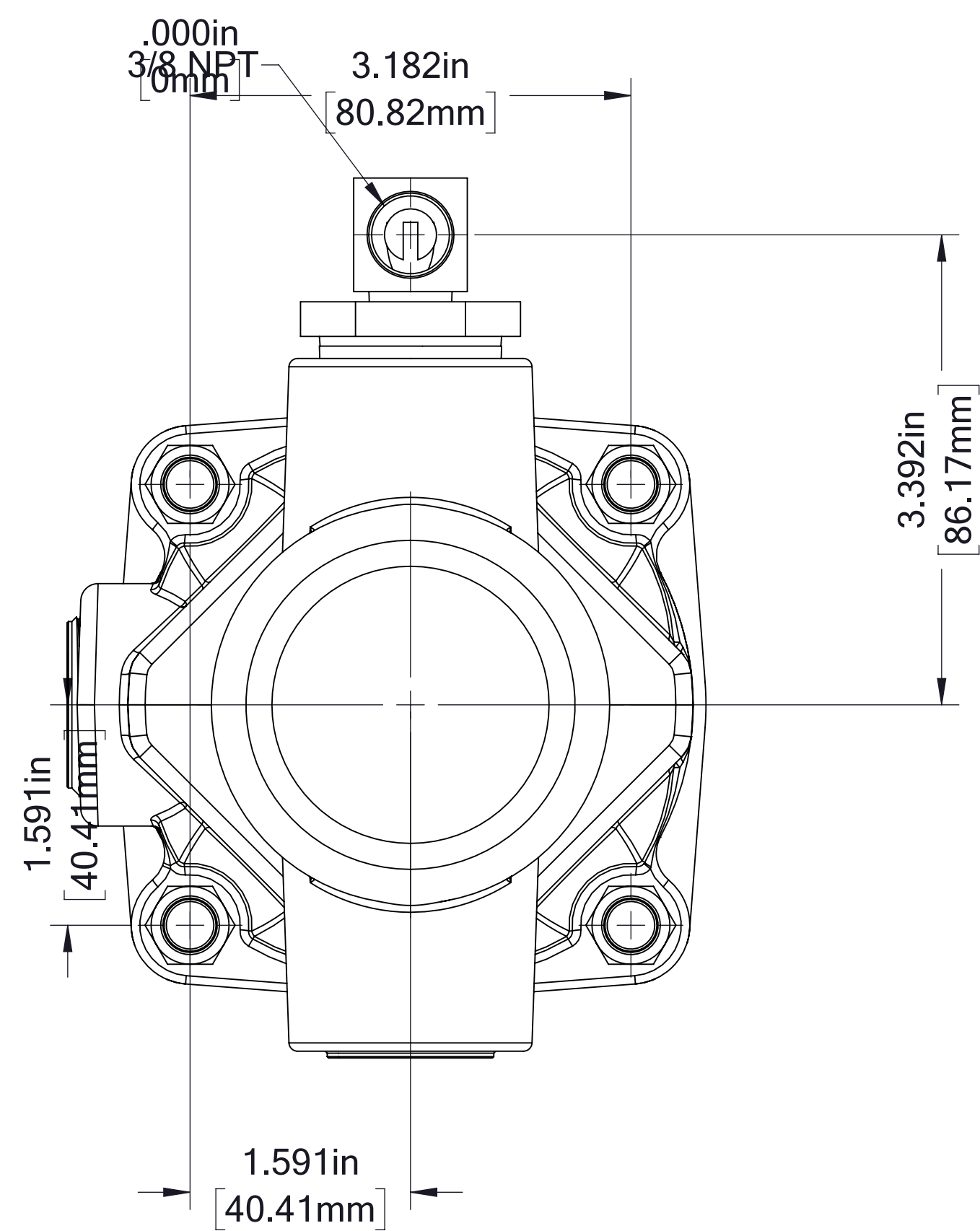
ELKHART CHECK VALVE, 1.5 IN.

VICTAULIC/FNPT X FNPT
PART NUMBER: 83380-2B



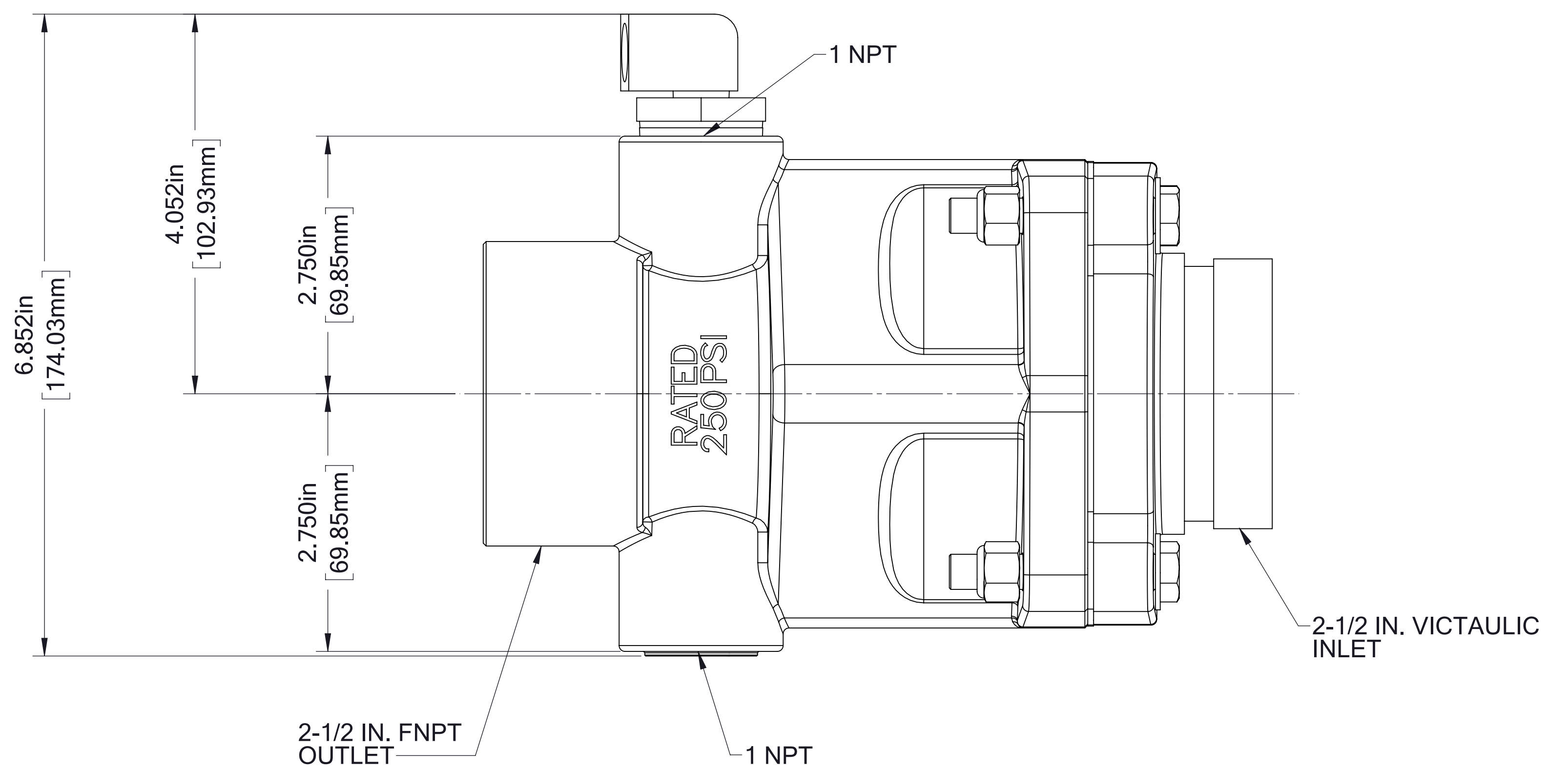
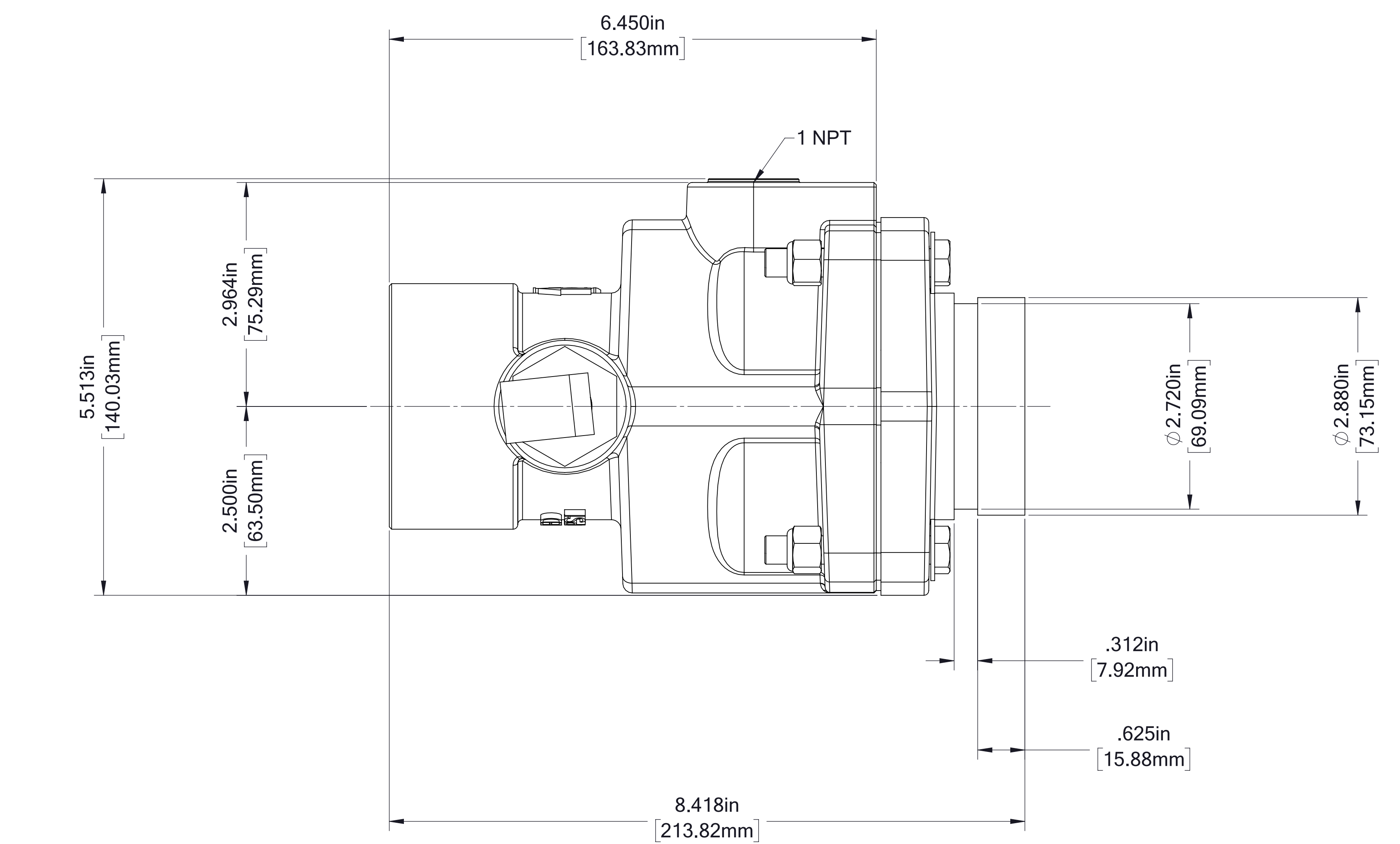
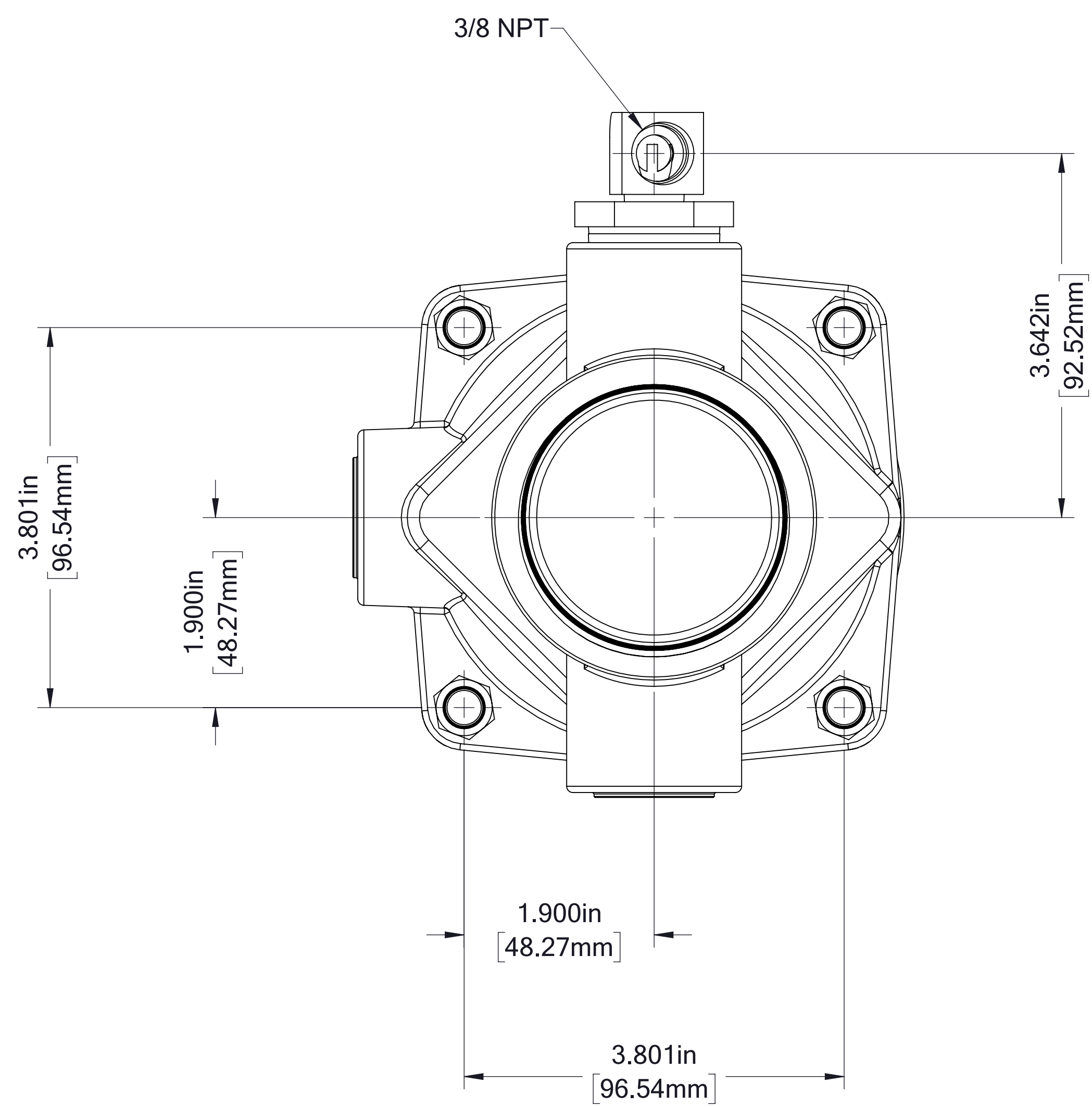
ELKHART CHECK VALVE, 2.0 IN.

VICTAULIC X FNPT
PART NUMBER: 83380-2C



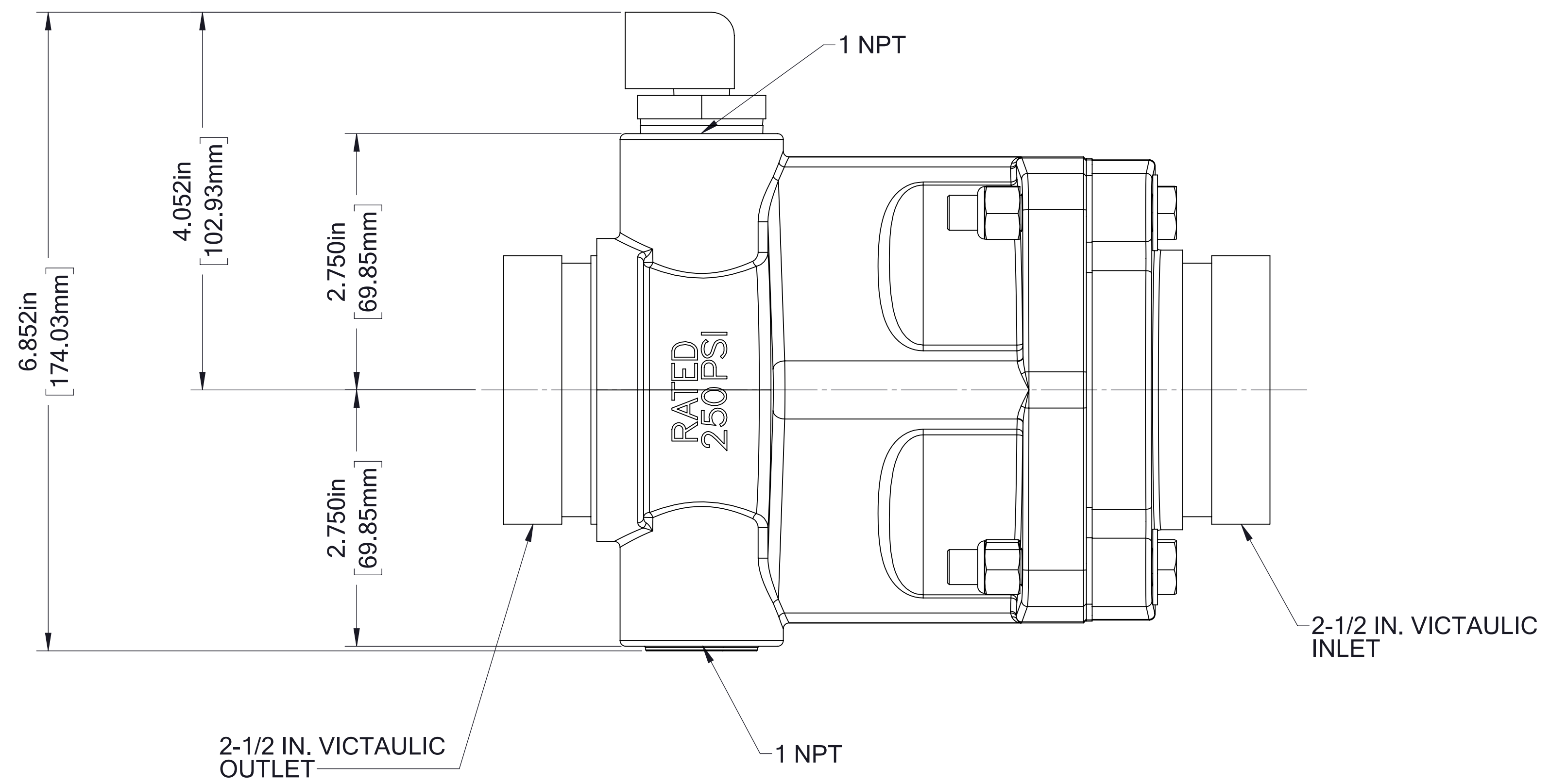
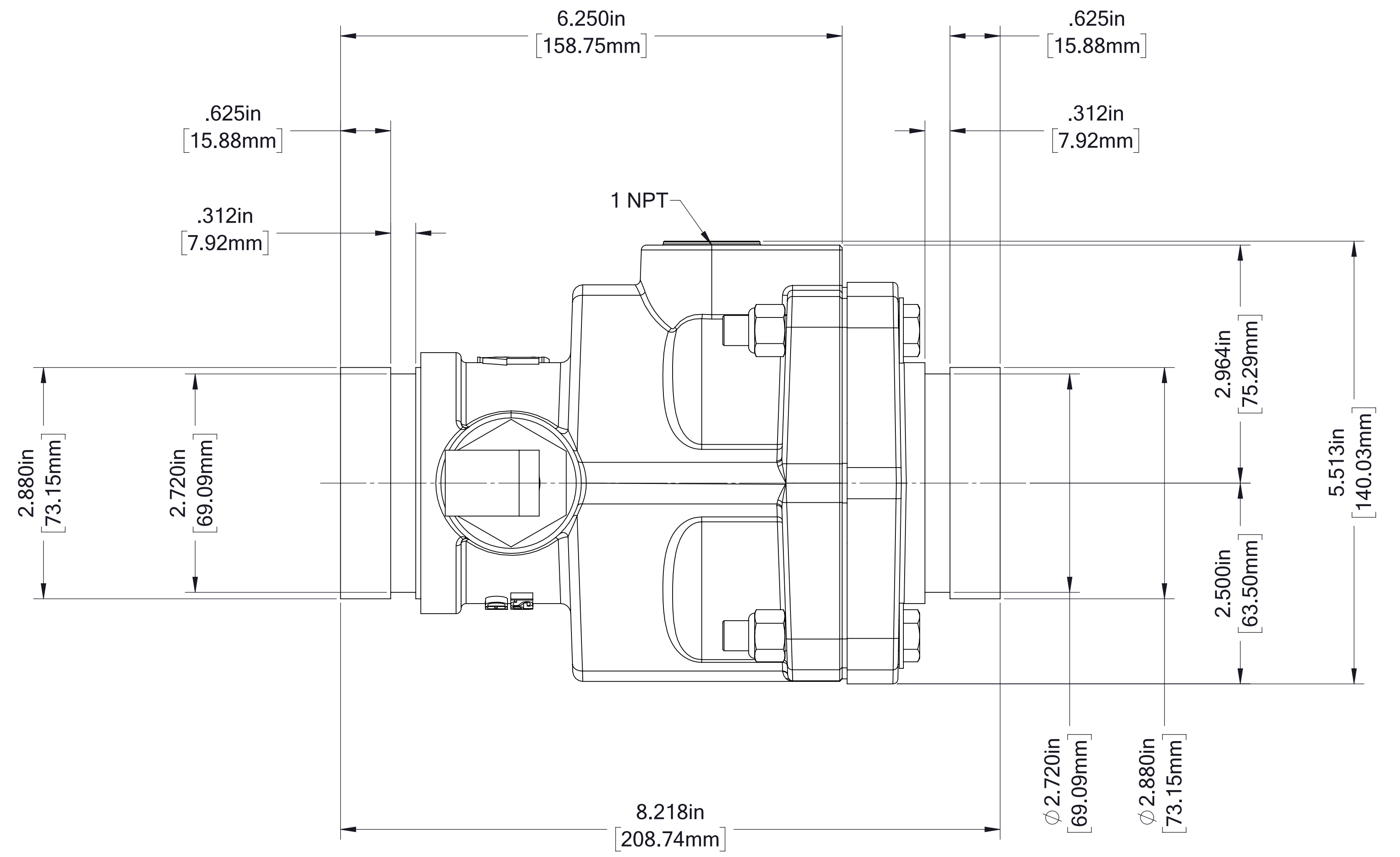
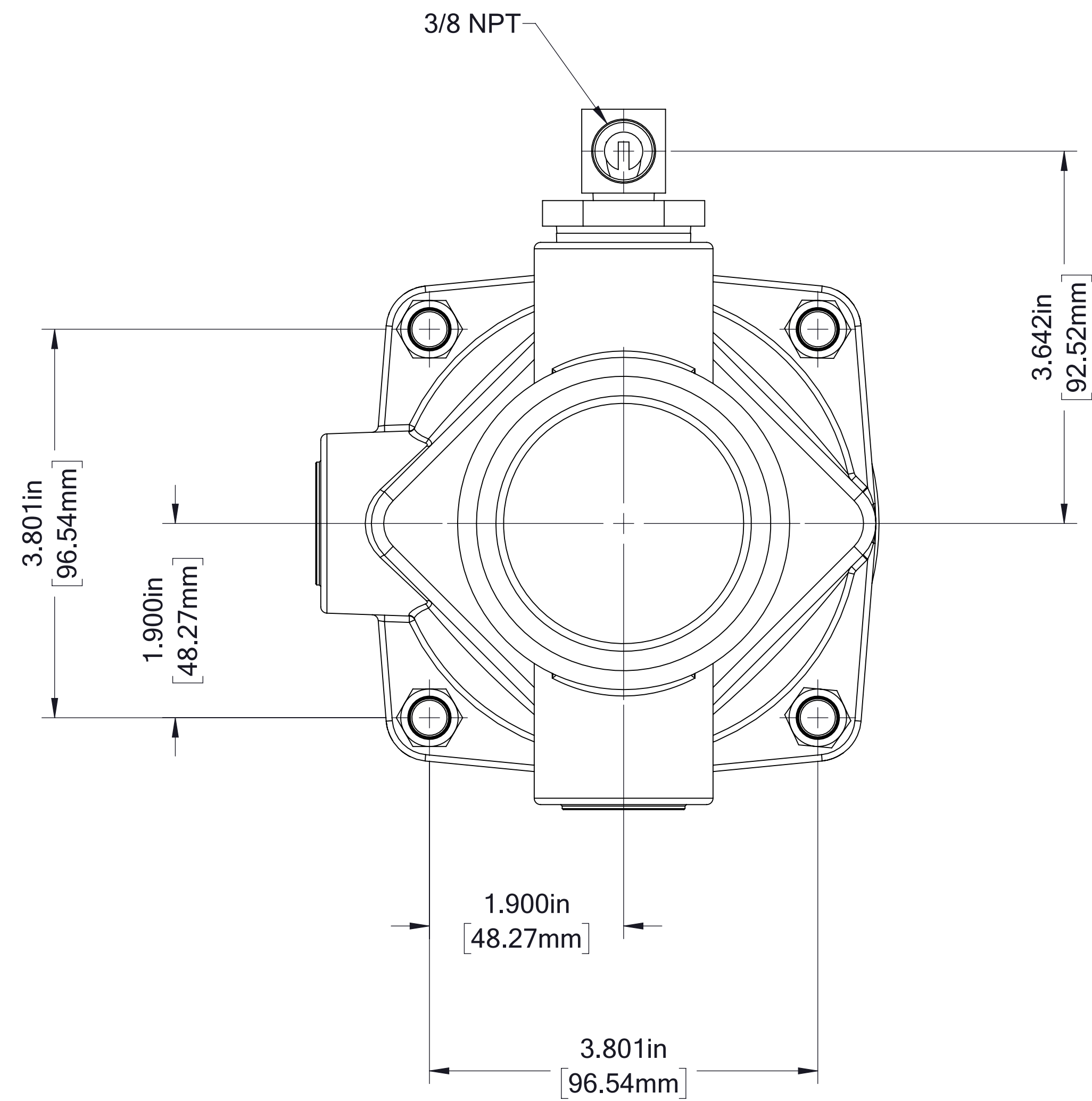
ELKHART CHECK VALVE, 2.0 IN.

VICTAULIC X VICTAULIC
 PART NUMBER: 83380-2D



ELKHART CHECK VALVE, 2.5 IN.

VICTAULIC X FNPT
PART NUMBER: 83380-2E



ELKHART CHECK VALVE, 2.5 IN.

VICTAULIC X VICTAULIC
 PART NUMBER: 83380-1F