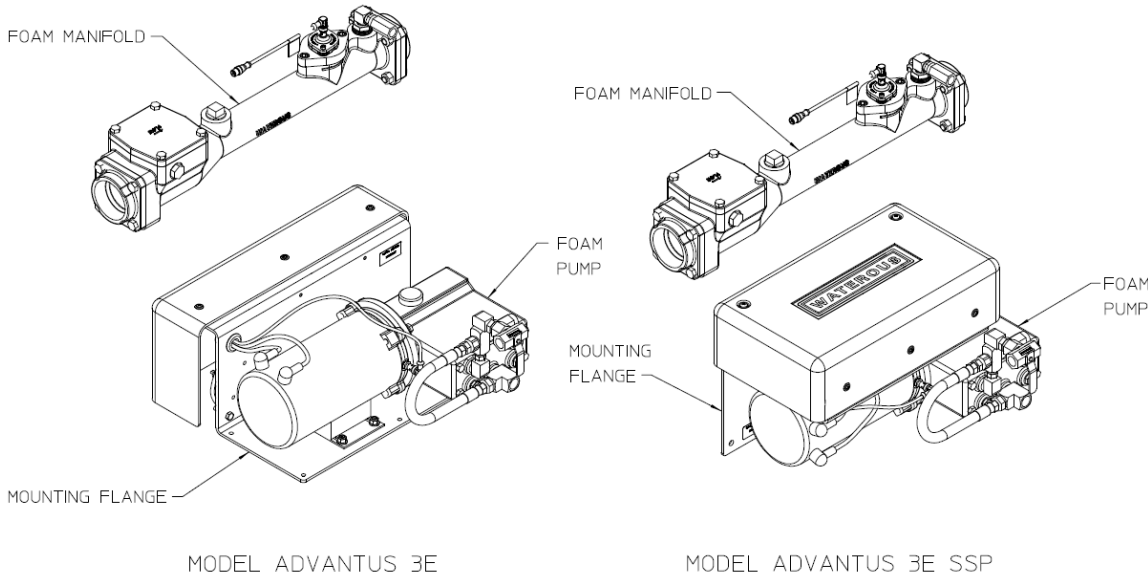
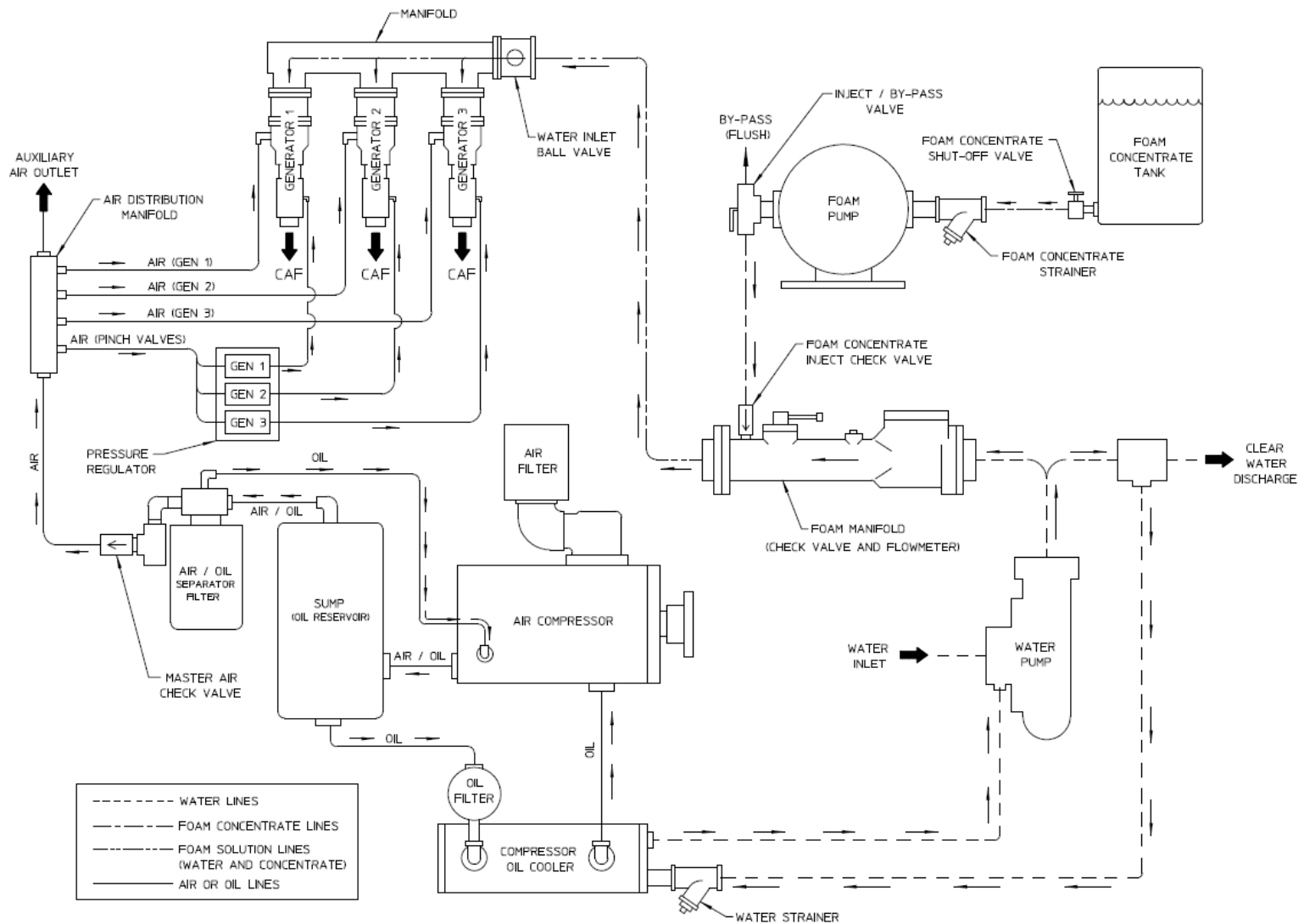


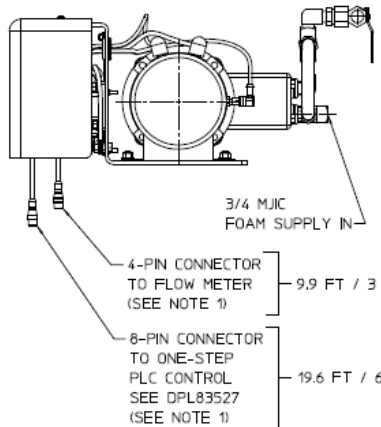
**Foam Pump Dimensional Drawings
Models Advantus 3E and Advantus 3E SSP
As used with One-Step and Eclipse GEN 2.0 CAFS**



	Page
System Schematic:	2
Standard Components:	
Foam Pump:	
Advantus 3E	3
Advantus 3E SSP.....	4
Manifolds	5
Foam Line Strainer	5
Optional Components:	
Cable Extensions:	
Flowmeter	3, 4
One-Step PLC Control	3, 4
Foam Tank Level Switch.....	6
Panel Plates	6
Foam Tank Level Switch	6
Panel Mounted Foam Strainer	7
Foam Supply Hose Kit.....	8
Foam Inject/Bypass Hose Kit	8
Foam Pick Up Hoses	9
FoamFill System	See DPL83460
Electrical Connections:	
Foam Tank Level Switch	6
Foam Pump Power	9
Foam Generators and Controls:	
One-Step CAFS	See DPL83527
Eclipse GEN 2.0 CAFS.....	See DPL83637

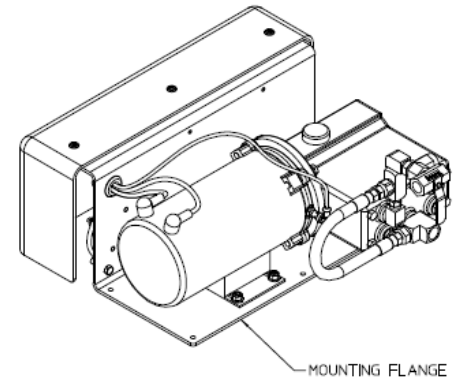
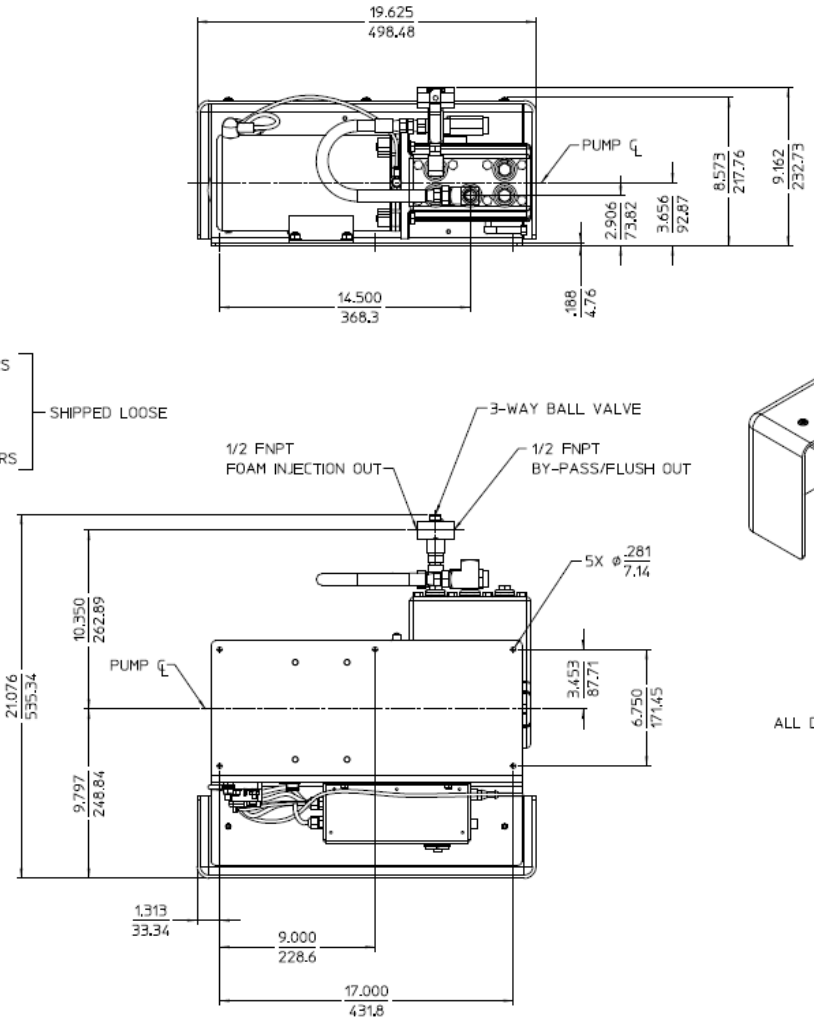


SYSTEM SCHEMATIC



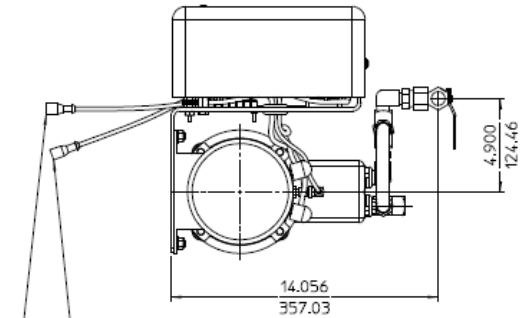
NOTE:
1. AVAILABLE CABLE EXTENSIONS:
FLOWMETER:
13.1 FT / 4 METERS, ORDER PART NO. Q-4310017

ONE-STEP PLC:
9.8 FT / 3 METERS, ORDER PART NO. Q-4310006
19.6 FT / 6 METERS, ORDER PART NO. Q-4310007



ALL DIMENSIONS SHOWN AS INCH/MILLIMETER
(INCH
MILLIMETER)

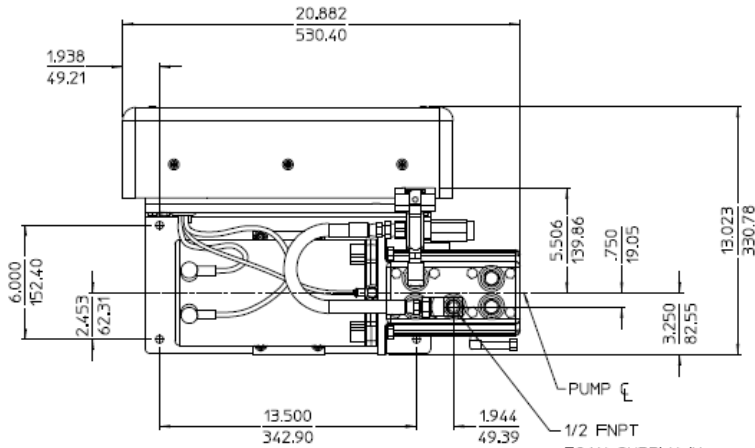
FOAM PUMP MODEL - ADVANTUS 3E



4-PIN CONNECTOR TO FLOW METER (SEE NOTE 1) — 9.9 FT / 3 METERS

8-PIN CONNECTOR TO ONE-STEP PLC CONTROL SEE DPL83527 (SEE NOTE 1) — 19.6 FT / 6 METERS

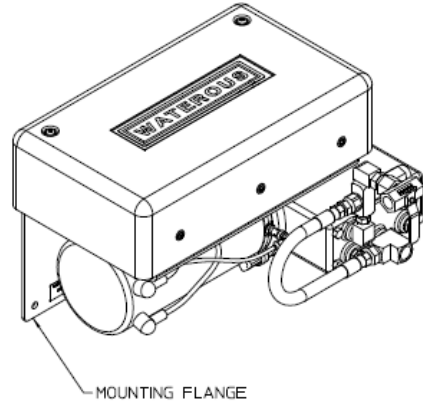
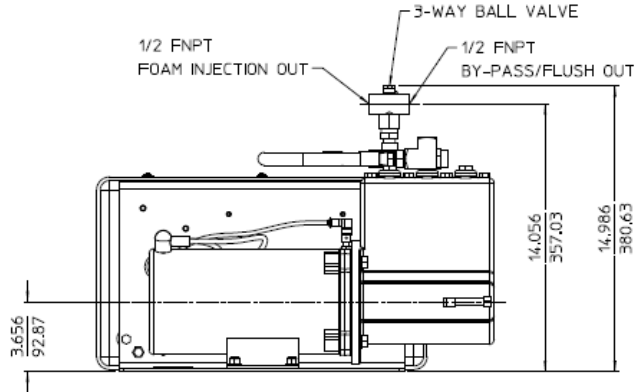
SHIPPED LOOSE



1/2 FNPT FOAM INJECTION OUT

3-WAY BALL VALVE

1/2 FNPT BY-PASS/FLUSH OUT

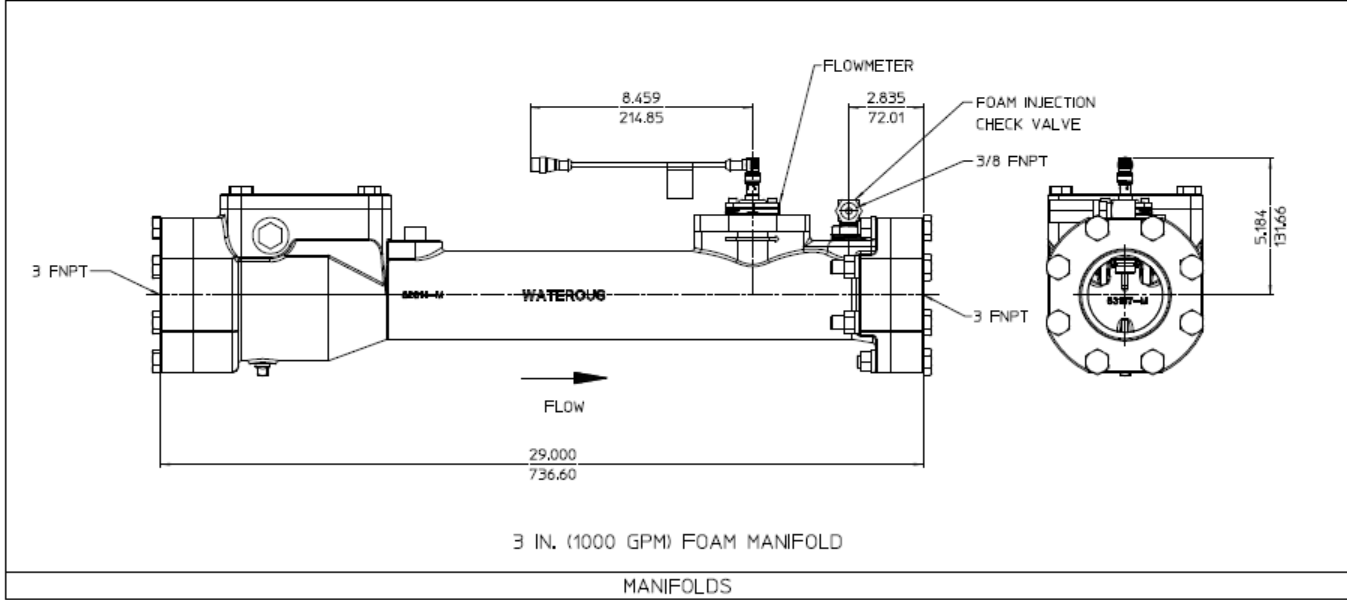
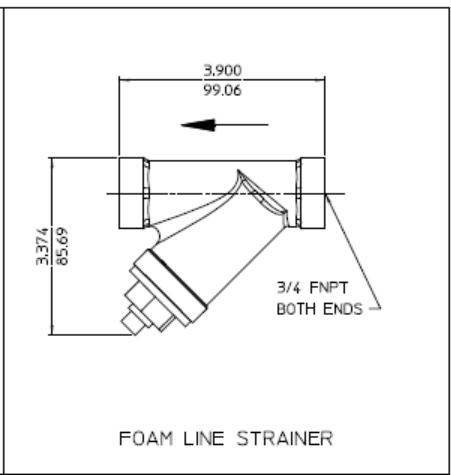
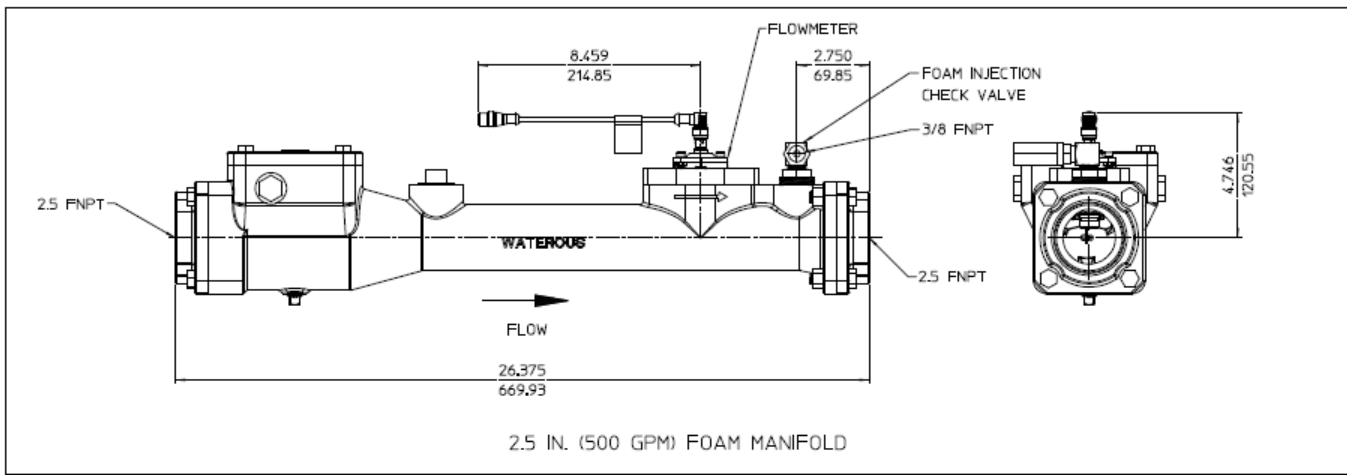


ALL DIMENSIONS SHOWN AS INCH/MILLIMETER
(INCH / MILLIMETER)

NOTE:
1. AVAILABLE CABLE EXTENSIONS:
FLOWMETER:
13.1 FT / 4 METERS, ORDER PART NO. Q-4310017

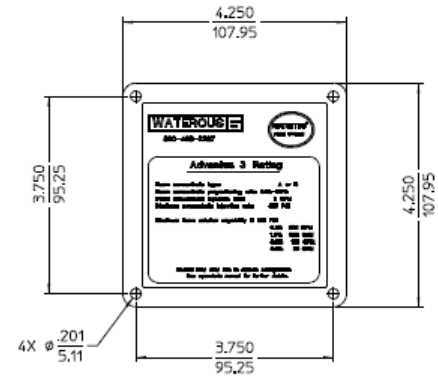
ONE-STEP PLC:
9.8 FT / 3 METERS, ORDER PART NO. Q-4310006
19.6 FT / 6 METERS, ORDER PART NO. Q-4310007

FOAM PUMP MODEL - ADVANTUS 3E SSP

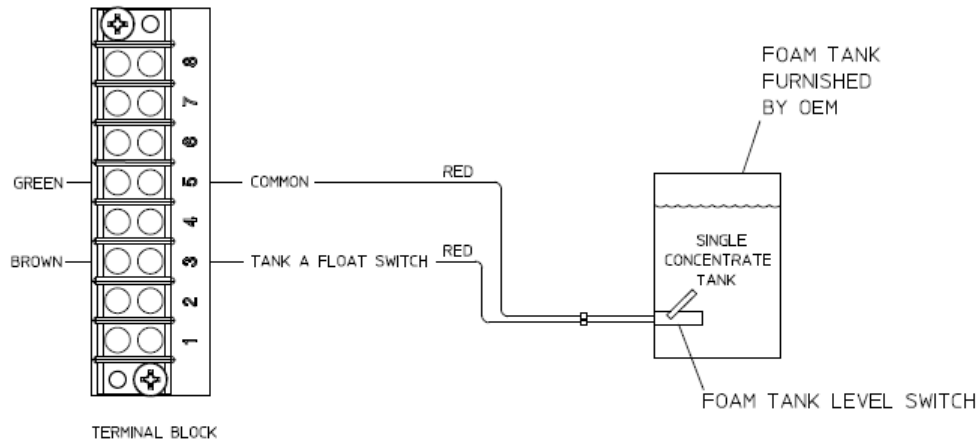


ALL DIMENSIONS SHOWN AS INCH/MILLIMETER
(INCH)
(MILLIMETER)

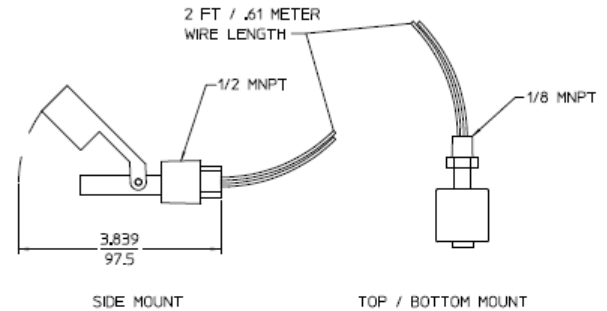
ORDER PART NO'S:
 0-0315280 (ENGLISH)
 63754 (CHINESE)



OPTIONAL RATING PANEL PLATE



WIRE CONNECTIONS TO FOAM PUMP

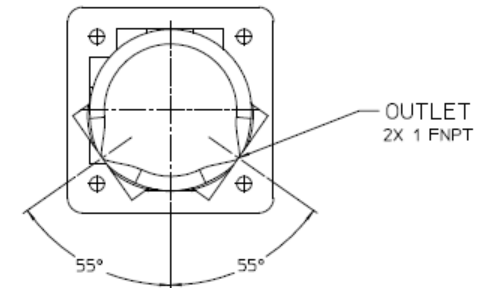
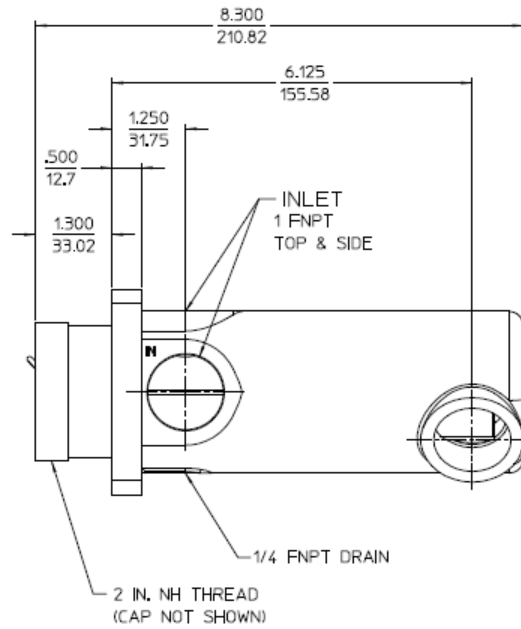
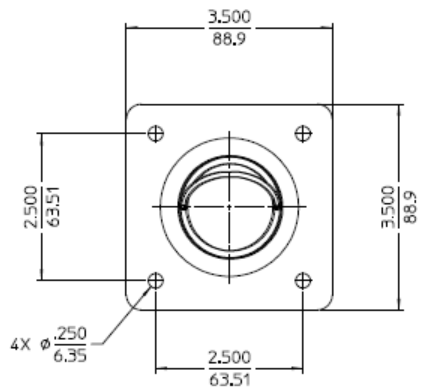


OPTIONAL FOAM LEVEL TANK SWITCH

ORDER PART NO'S:
 Q-4190000 (SIDE MOUNT)
 Q-4190001 (TOP/BOTTOM MOUNT)

AVAILABLE WIRE EXTENSION:
 13.1 FT / 4 METERS - ORDER PART NO. Q-4310014

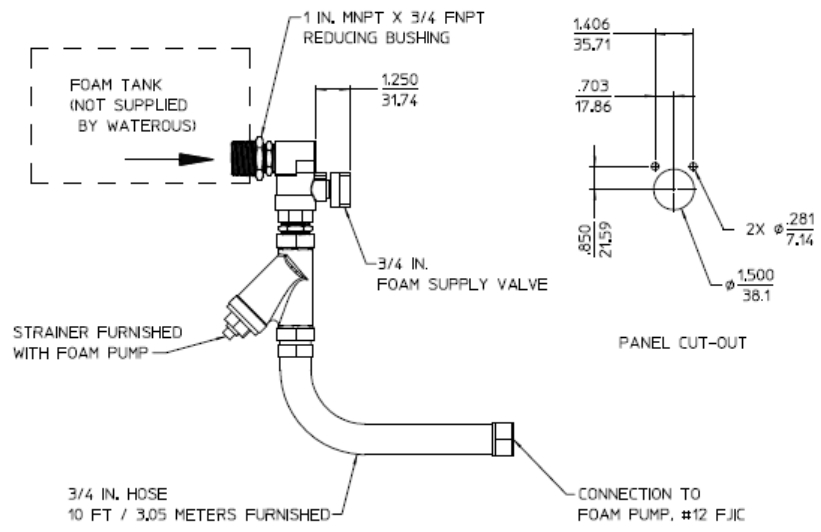
ALL DIMENSIONS SHOWN AS INCH/MILLIMETER
 (INCH / MILLIMETER)



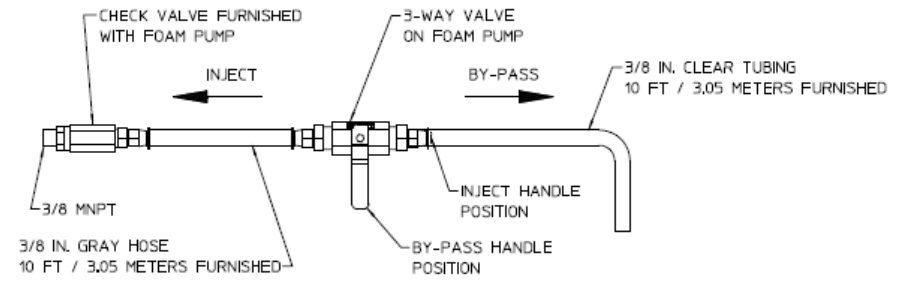
OPTIONAL PANEL MOUNTED FOAM LINE STRAINER

NO. 10 MESH. INCLUDES CAP AND CHAIN
ORDER PART NO. 0-2450011

ALL DIMENSIONS SHOWN AS INCH/MILLIMETER
($\frac{\text{INCH}}{\text{MILLIMETER}}$)



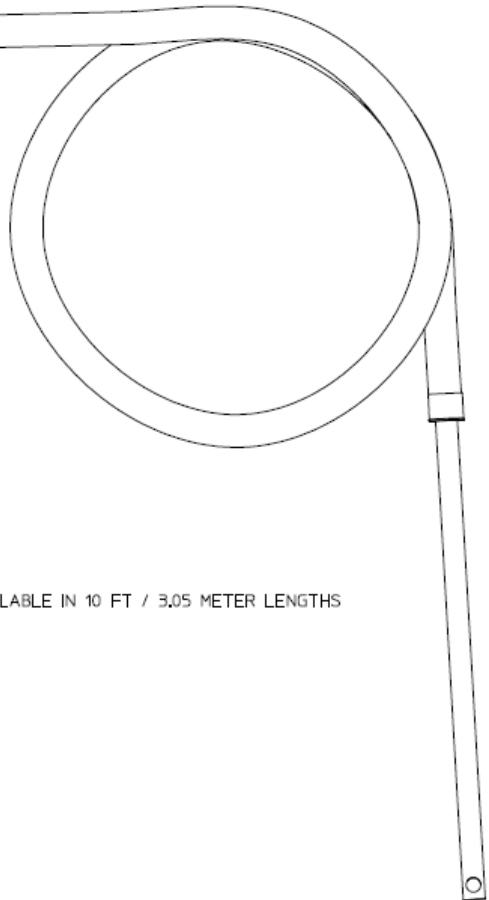
OPTIONAL FOAM SUPPLY HOSE KIT
ORDER PART NO. 83430-1B



OPTIONAL FOAM INJECTION / BY-PASS HOSE KIT
ORDER PART NO. 83430-2A

ALL DIMENSIONS SHOWN AS INCH/MILLIMETER
(INCH / MILLIMETER)

3/4 MNPT ON 3/4 HOSE
1 MNPT ON 1 HOSE

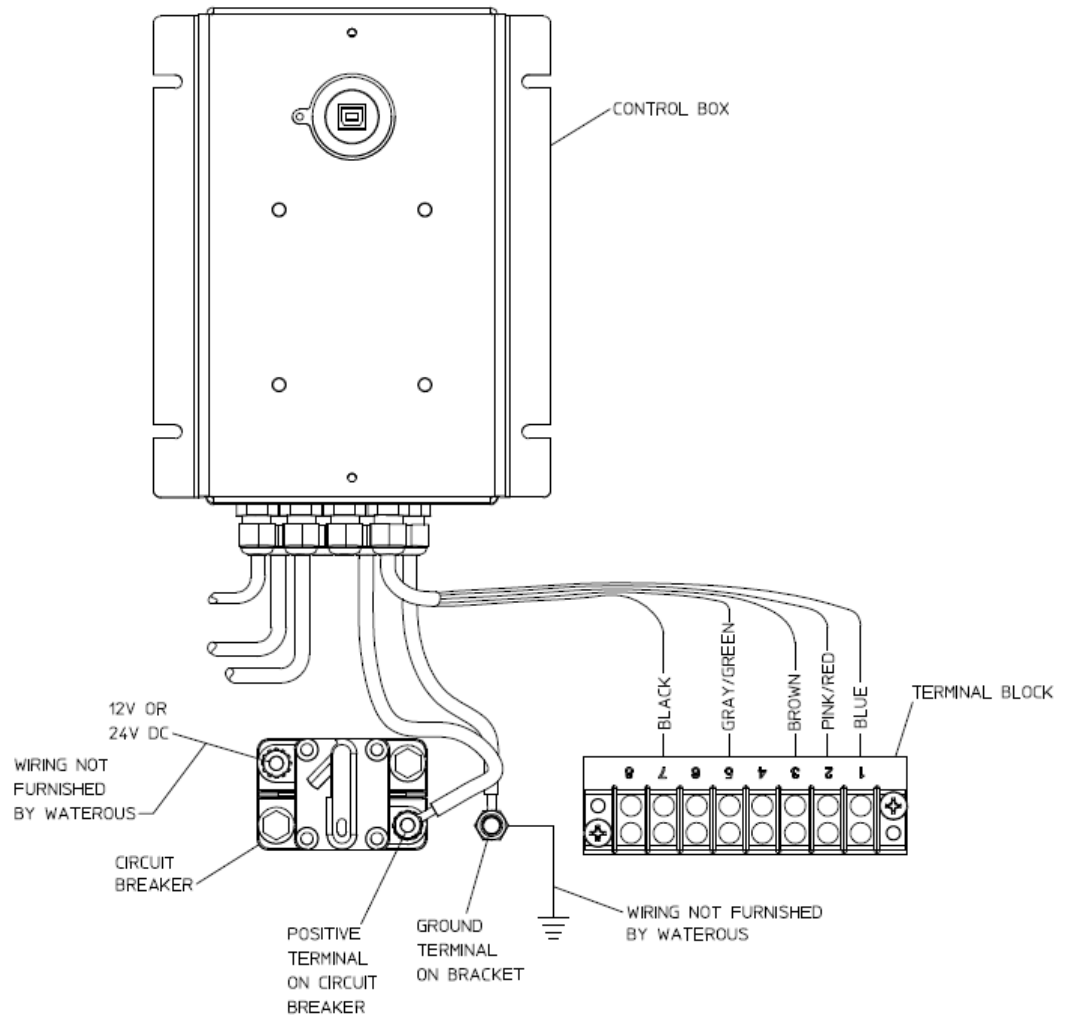


AVAILABLE IN 10 FT / 3.05 METER LENGTHS

OPTIONAL FOAM PICK UP HOSES

ORDER PART NO:
3/4 IN. HOSE - Q-0308048
1 IN. HOSE - Q-0308059

FOAM PUMP WITH COVER REMOVED



ELECTRICAL CONNECTIONS
FOAM PUMP POWER