

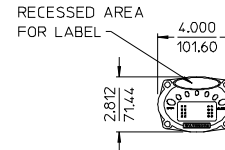
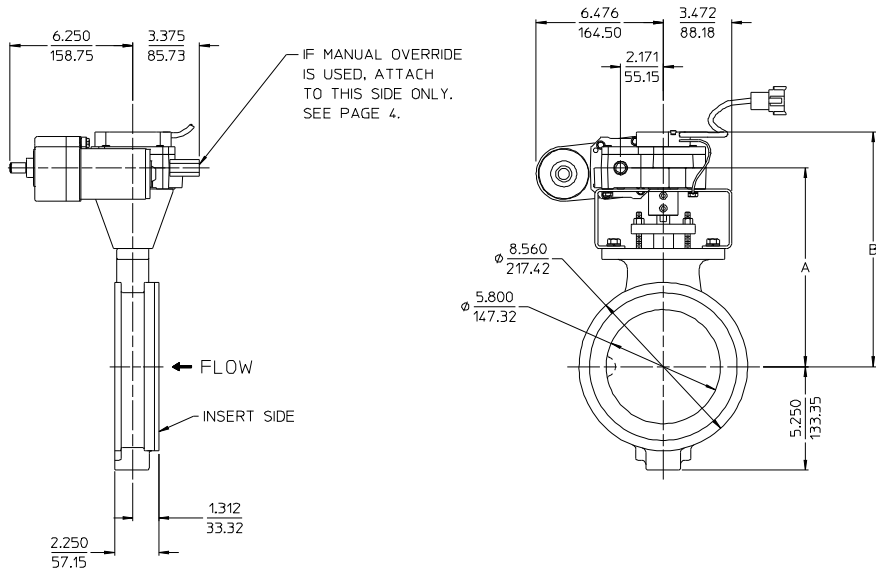


Document Number DPL83723	Issue Date 1/18/18	Rev. Date
------------------------------------	------------------------------	-----------

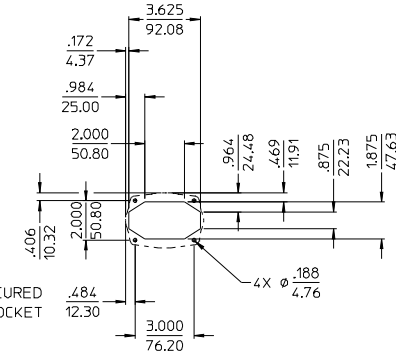
Waterous Butterfly Valve Dimensional Drawing

Valve		Motor Orientation	Actuator Height	See Page
Size	Operator			
6 in.	Electric Actuator	Horizontal	Short	2
			Tall	
		Vertical	Short	3
			Tall	
	Optional Manual Override			4
	Manual Actuator, Indicating	-	Short	5
			Tall	
	Manual Actuator, Non-Indicating	-	-	6
Pneumatic Actuator	-	-	7	
8 in.	Manual Actuator, Indicating	-	-	8
Fittings for 6 In. Butterfly Valves				9
Fittings for 8 In. Butterfly Valves				10

6 IN. VALVE, ELECTRIC ACTUATOR, HORIZONTAL MOTOR

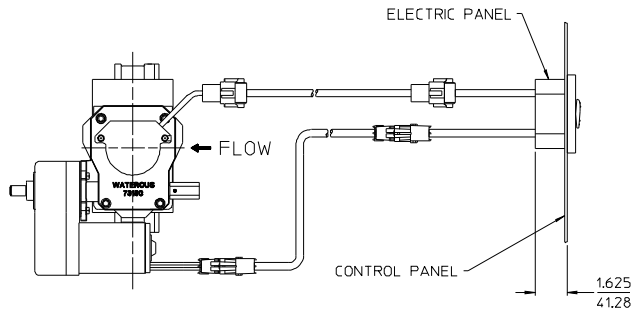


CONTROL PANEL IS SECURED WITH (4) FLAT HEAD SOCKET SCREWS & HEX NUTS



ELECTRIC PANEL HOLE LAYOUT

NOTE: WIRING FURNISHED WITH VALVE IS 10 FEET LONG. IF LONGER WIRING IS NEEDED, ORDER 10 FOOT WIRE EXTENSION KIT K 1100.

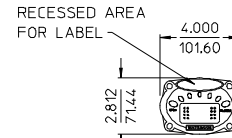
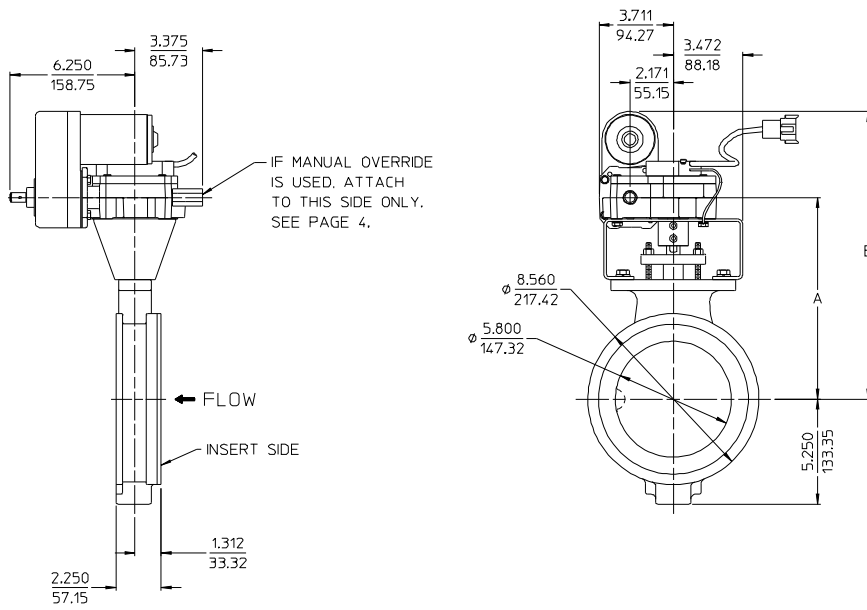


ELECTRIC PANEL WIRING

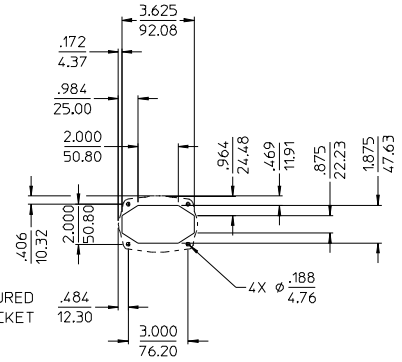
ACTUATOR HEIGHT	VOLTAGE	ORDER PART NO. AS REQUIRED		DIMENSION	
		VALVE MOUNTED ON PUMP BY WATEROUS	VALVE SHIPPED LOOSE (INCLUDES TWO 910902 GASKETS)	A	B
SHORT	12	82743-1E	82743-1G	10.100/256.54	11.920/302.77
	24	82743-1F	82743-1H		
TALL	12	82743-5A	82743-5B	13.000/330.20	14.820/376.43
	24	82743-5C	82743-5D		

NOTE:
1. ALL DIMENSIONS SHOWN AS INCH/MILLIMETER.

6 IN. VALVE, ELECTRIC ACTUATOR, VERTICAL MOTOR

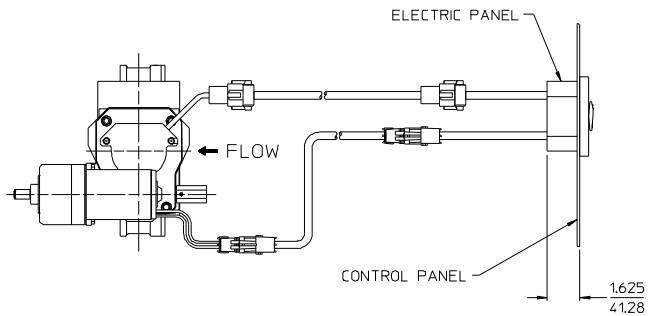


CONTROL PANEL IS SECURED WITH (4) FLAT HEAD SOCKET SCREWS & HEX NUTS



ELECTRIC PANEL HOLE LAYOUT

NOTE: WIRING FURNISHED WITH VALVE IS 10 FEET LONG. IF LONGER WIRING IS NEEDED, ORDER 10 FOOT WIRE EXTENSION KIT K 1100.

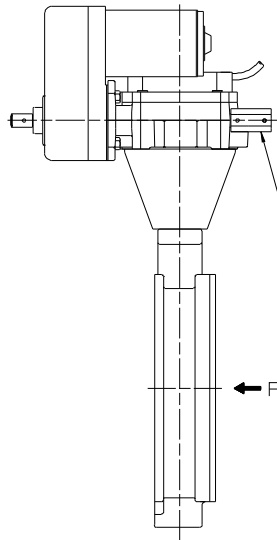


ELECTRIC PANEL WIRING

ACTUATOR HEIGHT	VOLTAGE	ORDER PART NO. AS REQUIRED		DIMENSION	
		PART NO.		A	B
		VALVE MOUNTED ON PUMP BY WATEROUS	VALVE SHIPPED LOOSE (INCLUDES TWO 910902 GASKETS)		
SHORT	12	82743-1J	82743-1L	10.100/256.54	14.405/365.89
	24	82743-1K	82743-1M		
TALL	12	82743-5E	82743-5F	13.000/330.20	17.305/439.55
	24	82743-5G	82743-5H		

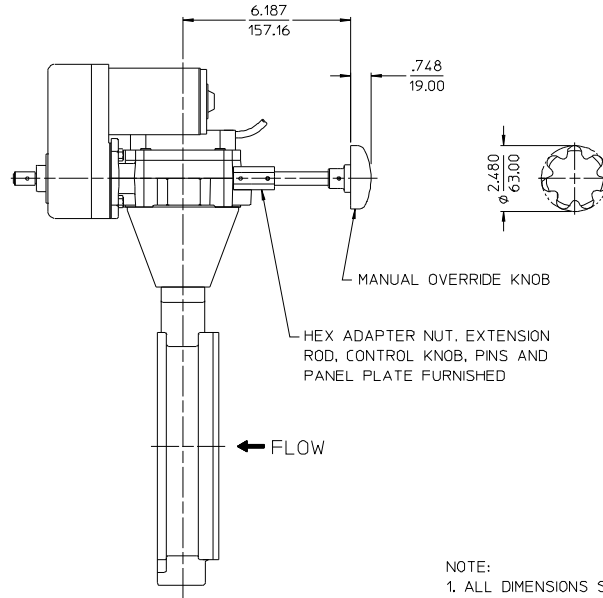
NOTE:
1. ALL DIMENSIONS SHOWN AS INCH/MILLIMETER.

OPTIONAL MANUAL OVERRIDE FOR ELECTRIC ACTUATOR



HEX ADAPTER NUT FURNISHED WITH EACH VALVE. NOTE THAT ACCESS TO VALVE IS REQUIRED

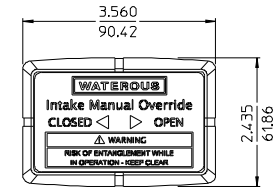
OVERRIDE BEHIND PANEL
NOTE THAT ACCESS TO VALVE IS REQUIRED



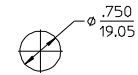
MANUAL OVERRIDE KNOB
HEX ADAPTER NUT, EXTENSION ROD, CONTROL KNOB, PINS AND PANEL PLATE FURNISHED

NOTE:
1. ALL DIMENSIONS SHOWN AS INCH/MILLIMETER.

OVERRIDE ON PANEL
ORDER PART NO. 82743-4A



PANEL PLATE
NOTE: PLATE IS A SELF-ADHESIVE HANGING PLATE

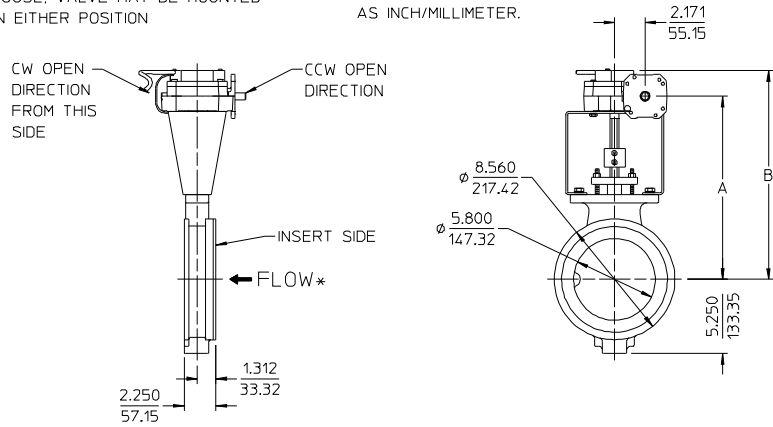


PANEL OPENING

6 IN. VALVE, MANUAL ACTUATOR, INDICATING

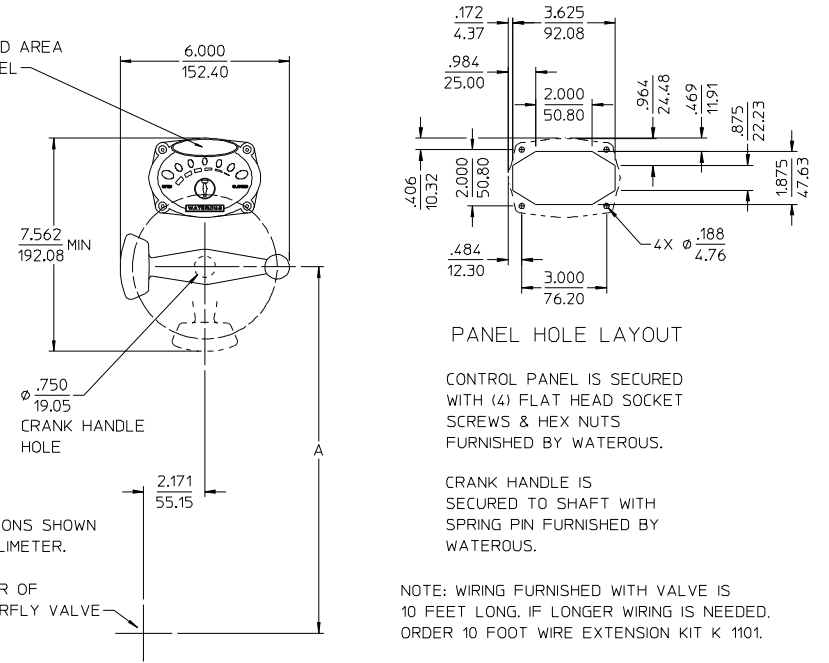
*FLOW SHOWN AS MOUNTED ON PUMP AT FACTORY. IF SHIPPED LOOSE, VALVE MAY BE MOUNTED IN EITHER POSITION

NOTE:
1. ALL DIMENSIONS SHOWN AS INCH/MILLIMETER.



MANUAL ACTUATOR INDICATING

RECESSED AREA FOR LABEL



PANEL HOLE LAYOUT

CONTROL PANEL IS SECURED WITH (4) FLAT HEAD SOCKET SCREWS & HEX NUTS FURNISHED BY WATEROUS.

CRANK HANDLE IS SECURED TO SHAFT WITH SPRING PIN FURNISHED BY WATEROUS.

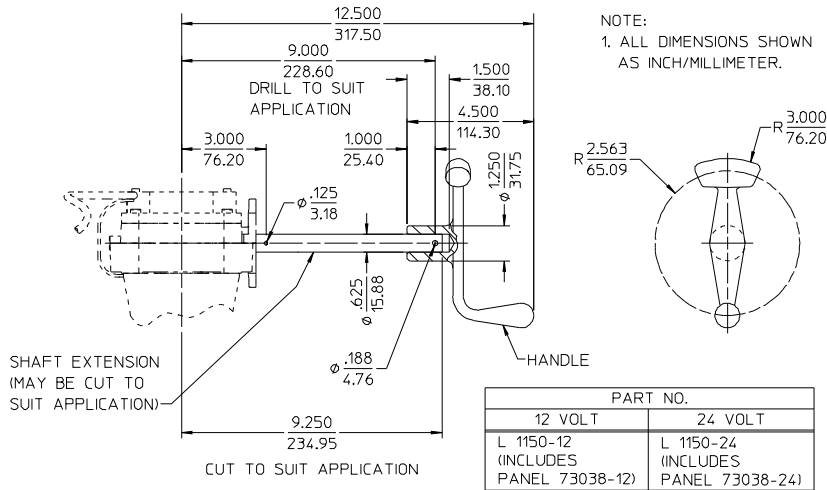
NOTE: WIRING FURNISHED WITH VALVE IS 10 FEET LONG. IF LONGER WIRING IS NEEDED, ORDER 10 FOOT WIRE EXTENSION KIT K 1101.

NOTE:
1. ALL DIMENSIONS SHOWN AS INCH/MILLIMETER.

CENTER OF BUTTERFLY VALVE

MANUAL ACTUATOR CONTROL PANEL

NOTE:
1. ALL DIMENSIONS SHOWN AS INCH/MILLIMETER.



SHAFT EXTENSION (MAY BE CUT TO SUIT APPLICATION)

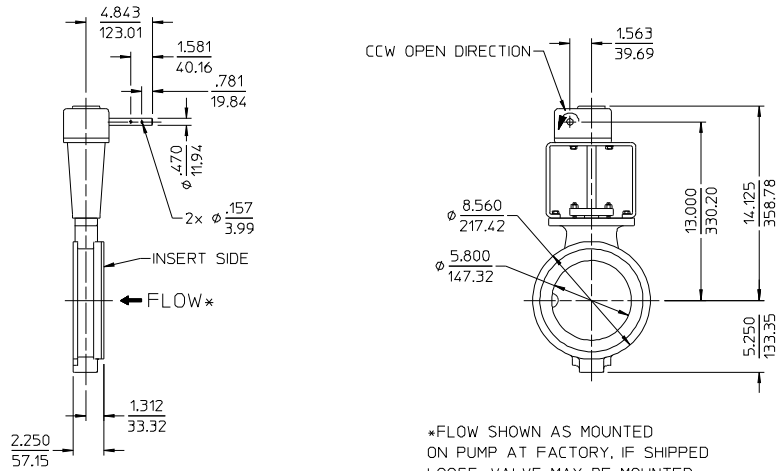
PART NO.	
12 VOLT	24 VOLT
L 1150-12 (INCLUDES PANEL 73038-12)	L 1150-24 (INCLUDES PANEL 73038-24)

MANUAL BUTTERFLY VALVE HANDLE KIT
FURNISHED WITH EACH INDICATING MANUAL VALVE

ACTUATOR HEIGHT	VOLTAGE	ORDER PART NO. AS REQUIRED		DIMENSIONS	
		PART NO.		A	B
		VALVE MOUNTED ON PUMP BY WATEROUS	VALVE SHIPPED LOOSE (INCLUDES TWO 910902 GASKETS)		
SHORT	12	82743-3K	82743-3L	10.100/256.54	11.920/302.77
	24	82743-3M	82743-3N		
TALL	12	82743-3C	82743-3D	13.000/330.20	14.820/376.43
	24	82743-3E	82743-3F		

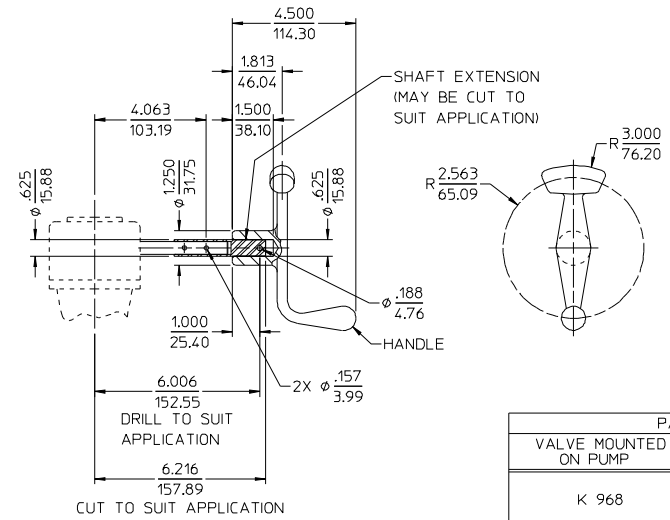
6 IN. VALVE, MANUAL ACTUATOR, NON-INDICATING

NOTE:
1. ALL DIMENSIONS SHOWN AS INCH/MILLIMETER.



MANUAL ACTUATOR
NON-INDICATING

NOTE:
1. ALL DIMENSIONS SHOWN AS INCH/MILLIMETER.

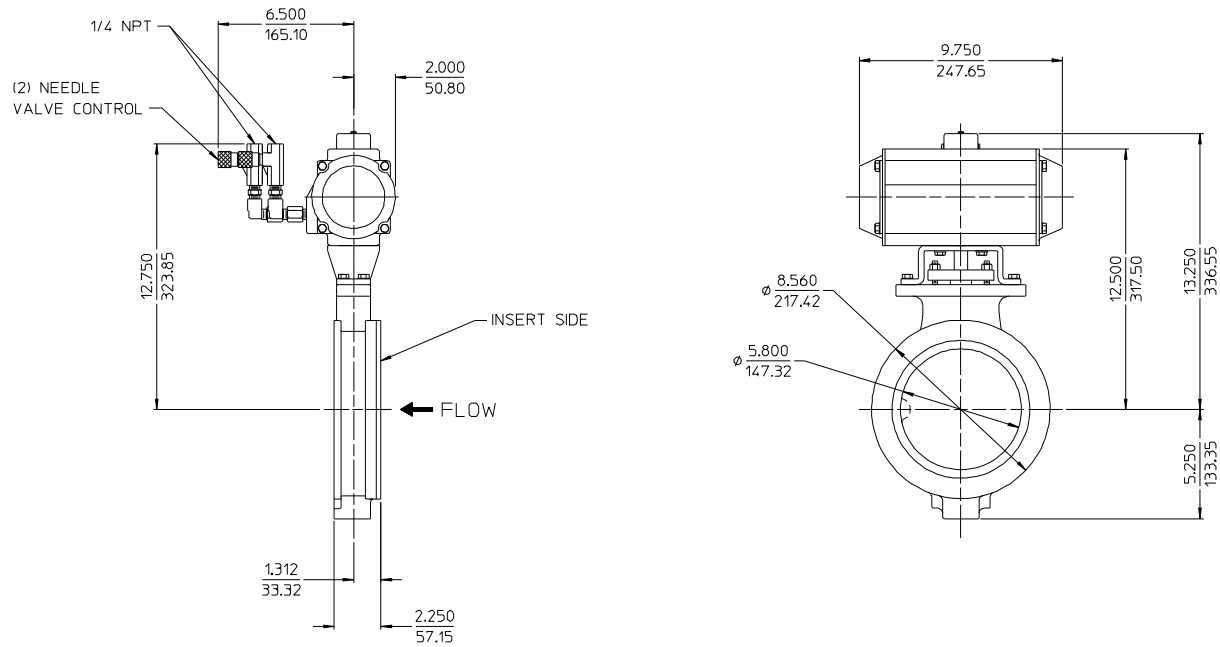


MANUAL BUTTERFLY VALVE HANDLE KIT
FURNISHED WITH EACH NON-INDICATING MANUAL VALVE

PART NO.	
VALVE MOUNTED ON PUMP	VALVE SHIPPED LOOSE
K 968	K 968-1 (INCLUDES TWO 910902 GASKETS)

ORDER PART NO. AS REQUIRED	
VALVE PART NO.	
VALVE MOUNTED ON PUMP BY WATEROUS	VALVE SHIPPED LOOSE (INCLUDES TWO 910902 GASKETS)
82743-3G	82743-3H

6 IN. VALVE, PNEUMATIC ACTUATOR

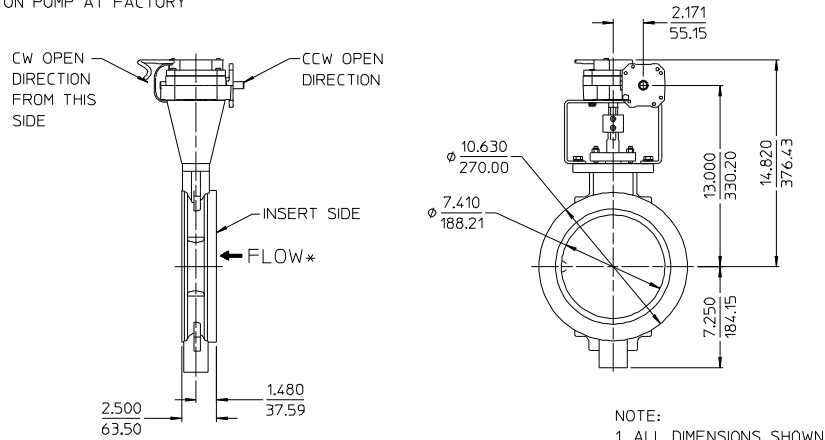


NOTE:
1. ALL DIMENSIONS SHOWN AS INCH/MILLIMETER.

ORDER PART NO. AS REQUIRED	
VALVE PART NO.	
VALVE MOUNTED ON PUMP BY WATEROUS	VALVE SHIPPED LOOSE (INCLUDES TWO 910902 GASKETS)
82743-2A	82743-2B

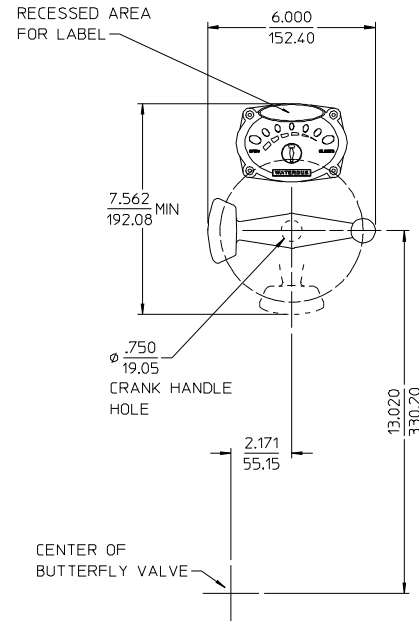
8 IN. VALVE, MANUAL ACTUATOR, INDICATING

*FLOW SHOWN AS MOUNTED ON PUMP AT FACTORY



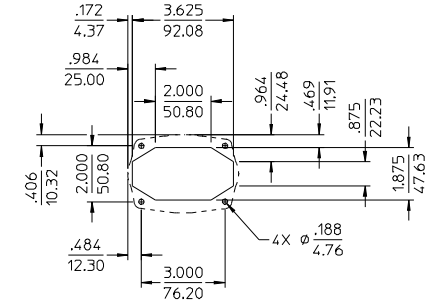
MANUAL ACTUATOR INDICATING

NOTE:
1. ALL DIMENSIONS SHOWN AS INCH/MILLIMETER.



MANUAL ACTUATOR CONTROL PANEL

NOTE:
1. ALL DIMENSIONS SHOWN AS INCH/MILLIMETER.

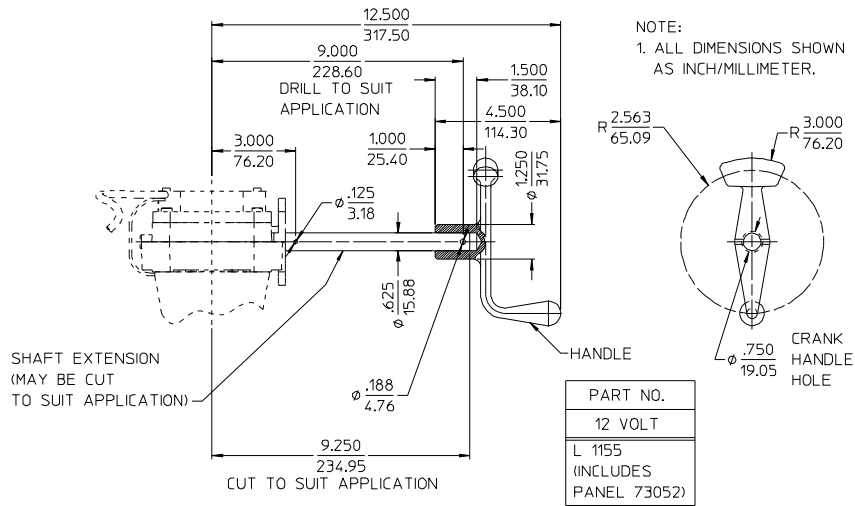


PANEL HOLE LAYOUT

CONTROL PANEL IS SECURED WITH (4) FLAT HEAD SOCKET SCREWS & HEX NUTS FURNISHED BY WATEROUS.

CRANK HANDLE IS SECURED TO SHAFT WITH SPRING PIN FURNISHED BY WATEROUS.

NOTE: WIRING FURNISHED WITH VALVE IS 10 FEET LONG. IF LONGER WIRING IS NEEDED, ORDER 10 FOOT WIRE EXTENSION KIT K 1101.



MANUAL BUTTERFLY VALVE HANDLE KIT
FURNISHED WITH EACH INDICATING MANUAL VALVE

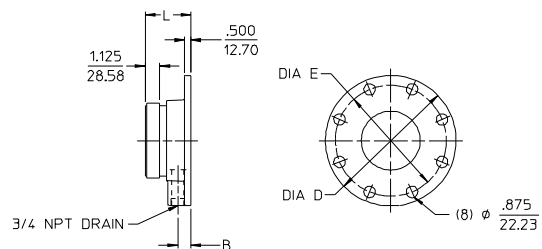
NOTE:
1. ALL DIMENSIONS SHOWN AS INCH/MILLIMETER.

PART NO.
12 VOLT
L 1155 (INCLUDES PANEL 73052)

ORDER PART NO. AS REQUIRED		
VOLTAGE	PART NO.	
	VALVE MOUNTED ON PUMP BY WATEROUS	VALVE SHIPPED LOOSE (INCLUDES TWO 910902 GASKETS)
12	82966-1A	NOT AVAILABLE
24	NOT AVAILABLE	NOT AVAILABLE

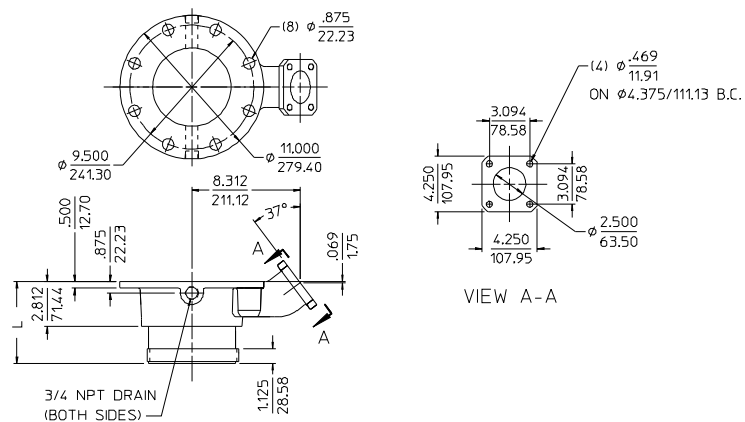
FITTINGS FOR 6 IN. BUTTERFLY VALVES

NIPPLES WITHOUT DUMP VALVE FLANGE



ORDER PART NO. AS REQUIRED						
PART NO.	THREAD SIZE	B	L	FLANGE		INCLUDES GASKET
				DIA D	DIA E	
72453-1A	6.0 IN. NH	1.000/25.40	3.375/85.73	11.000/279.40	9.500/241.30	910902
72572-1A	6.0 IN. NH	.875/22.23	5.250/133.35	11.000/279.40	9.500/241.30	910902
72578-1A	6.0 IN. NH	.875/22.23	6.250/158.75	11.000/279.40	9.500/241.30	910902
72579-1A	6.0 IN. NH	.875/22.23	7.250/184.15	11.000/279.40	9.500/241.30	910902

NIPPLES WITH DUMP VALVE FLANGE



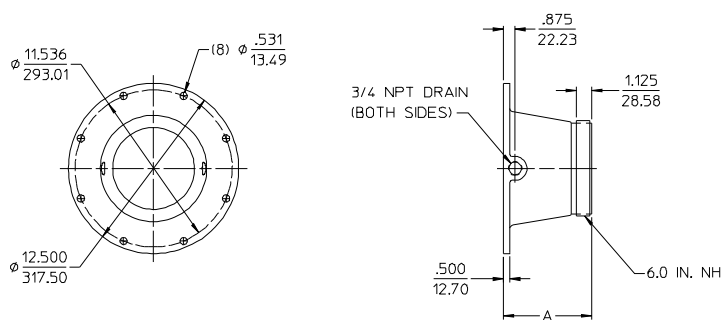
ORDER PART NO. AS REQUIRED			
PART NO.	THREAD SIZE	L	INCLUDES GASKET
72818-1A	5.0 IN. NH	5.250/133.35	910902
72819-1A	5.0 IN. NH	6.250/158.75	
72820-1A	5.0 IN. NH	7.250/184.15	
72716-1A	6.0 IN. NH	5.250/133.35	910902
72717-1A	6.0 IN. NH	6.250/158.75	
72718-1A	6.0 IN. NH	7.250/184.15	

NOTES:

- ALL FITTINGS ARE AVAILABLE IN IRON OR BRONZE UNLESS OTHERWISE SPECIFIED. ADD "-BZ" SUFFIX TO PART NO. FOR BRONZE FITTINGS.
- ALL FITTINGS INCLUDE GASKET AND MOUNTING HARDWARE.
- ALL DIMENSIONS SHOWN AS INCH/MILLIMETER.

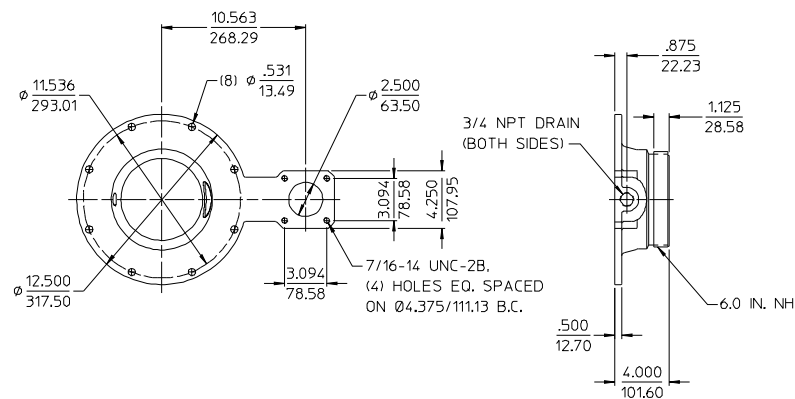
FITTINGS FOR 8 IN BUTTERFLY VALVES

NIPPLE WITHOUT DUMP VALVE FLANGE



ORDER PART NO. AS REQUIRED		
PART NO.	INCLUDES GASKET	DIMENSION A
82957-1A	910903	6.500/165.10
83263-1A		4.000/101.60

NIPPLE WITH DUMP VALVE FLANGE



ORDER PART NO. AS REQUIRED	
NIPPLE PART NO.	INCLUDES GASKET
82953-1A	910903

NOTES:

1. ALL FITTINGS INCLUDE GASKET AND MOUNTING HARDWARE.
2. ALL DIMENSIONS SHOWN AS INCH/MILLIMETER.