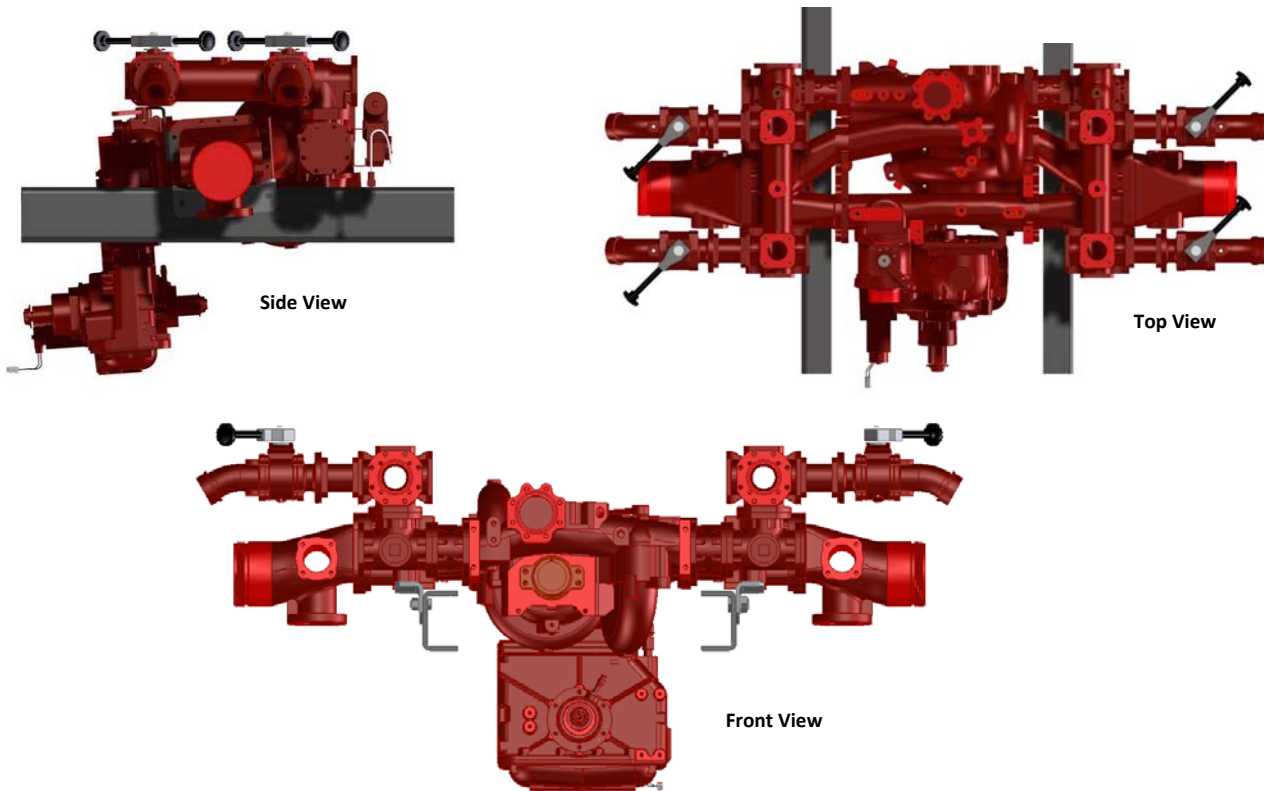


SPECIFICATIONS – ACCESSORIES: “H MANIFOLD”

Make Mounting Your Waterous Pump Simple, Flexible and Efficient



The Waterous “H Manifold” discharge fitting arrangement makes the purchase of a Waterous pump efficient, flexible, streamlined and simple.

Efficient

Efficient installation of a Waterous pump with the new “H Manifold” will significantly improve your manufacturing process throughput. Pump installers will be working with a clean panel layout, and plumbing engineers will improve their engineering time on a Waterous pump. Also, the Waterous pump design affords the most efficient flow characteristics available over any other pump in its class. Ensuring each installed pump will perform as designed each and every time.

Flexible

The “H Manifold” design is extremely flexible. OEM’s can easily adapt to customers’ needs with the wide range of discharge openings, not available with other pumps. The “H Manifold” discharge arrangement creates panel dimensions that accommodate remote locking and quarter turn valves. The “H Manifold” also has additional pad openings on the inside of the manifold a feature not available on other pumps. This flexible design affords the OEM options to make all pump installations a success.

Streamlined

The new “H Manifold” design can help streamline your manufacturing by helping to push each Waterous Pump Installation through your facility, faster than ever. The basic and easy design can help streamline the movement of each and every Waterous pump through your facility, ensuring you receive the highest return on investment for each and every pump purchased from Waterous. Choosing the “H Manifold” ensures the streamlining of pump engineering time, pump ordering and pump installation.

Simplicity

The easy to identify, simple design of the “H Manifold” will make each and every pump installation, easier than ever. Waterous will assist in personalizing each pump design by offering 3D drawings and maintaining master quotations for each of your companies’ configurations for ease of future ordering. Choosing the “H Manifold” design affords you applications and ordering assistance, and service assistance unmatched in the industry.

“CHOOSING WATEROUS = SUCCESS, IT IS THAT SIMPLE”.

Industry-Leading Sales and Support

When you purchase Waterous equipment, not only do you get quality products, you get quality service. Our expert service technicians are the best in the business and they are always happy to answer any service questions you might have.

Sales/Applications Assistance
Phone: 651-450-5234 (Press 3)
pumpsales@waterousco.com

Service Assistance
Phone: 651-450-5200
Fax: 800-488-1228
service@waterousco.com