

Issued: 06/26/97

Revised: 03/02/06

W A T E R O U S

WATEROUS COMPANY

SOUTH ST. PAUL, MINNESOTA

MANIFOLD DRAIN VALVE ASSEMBLY

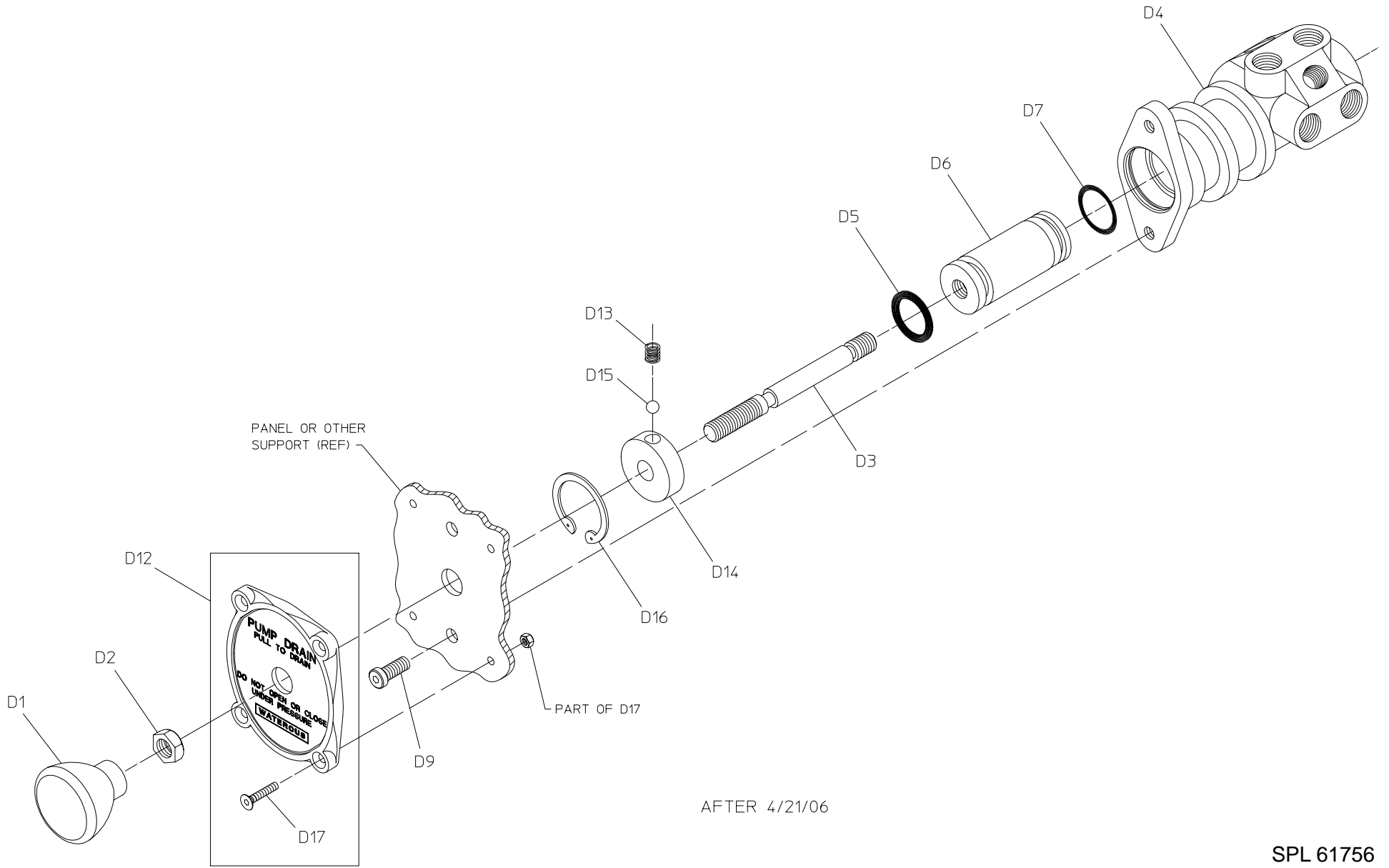
REF NO.	DESCRIPTION	REF NO.	DESCRIPTION
D1	Control knob	D12	Instruction plate (Used prior to 4/21/06)
D2	Hex nut, SS, 3/8-16	D12	Control panel assembly (Used after 4/21/06) (Includes mounting hardware)
D3	Valve stem	D13	Spring
D4	Body	D14	Spring housing
D5	Quad ring	D15	Detent ball
D6	Plunger	D16	Retaining ring
D7	O-ring	D17	Control panel mounting hardware
D9	Round hd screw, SS, 1/4-20 x 5/8 in. (Used prior to 4/21/06)		
D9	Socket low hd screw, SS, 1/4-20 x 5/8 in. (Used after 4/21/06)		

PLEASE NOTE

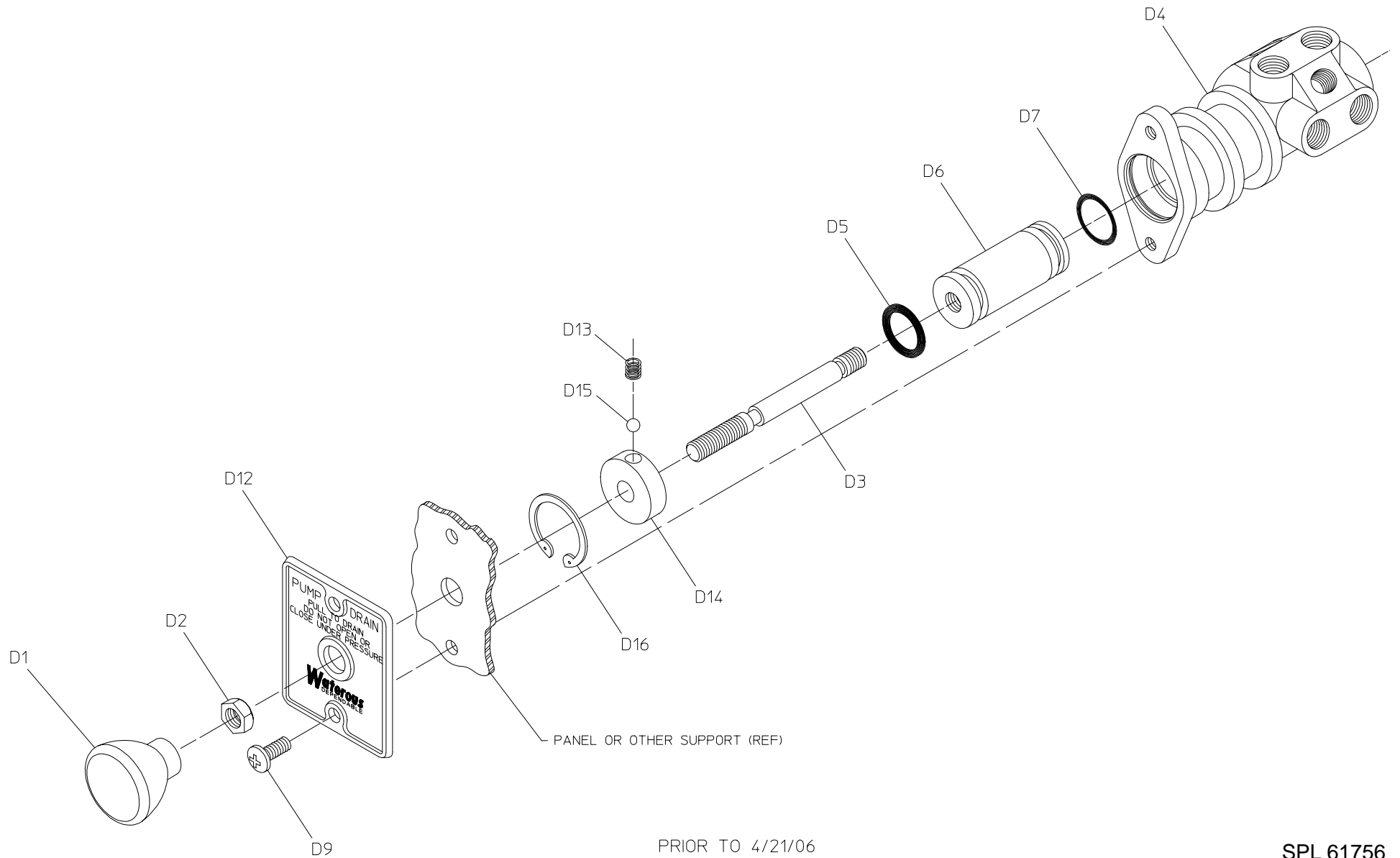
WHEN ORDERING PARTS PLEASE SUPPLY PUMP SERIAL NUMBER

SPL61756

PAGE 1 OF 3



AFTER 4/21/06



PRIOR TO 4/21/06