



Document Number	Issue Date	Rev. Date
<b>SPL71803</b>	<b>01/90</b>	<b>2/10/21</b>

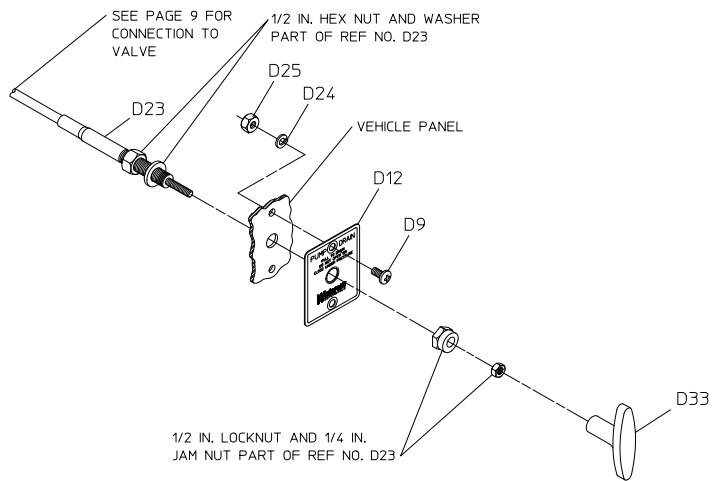
## Cable Operated, Remote Mounted Drain Valve Service Parts List

Component		See Page	
Panel Connection		2, 3	
Valve and Bracket	Components	Exploded View	4, 5
		Cross-section View	6, 7
	Cable Connection		8, 9
	Drain Port Function		

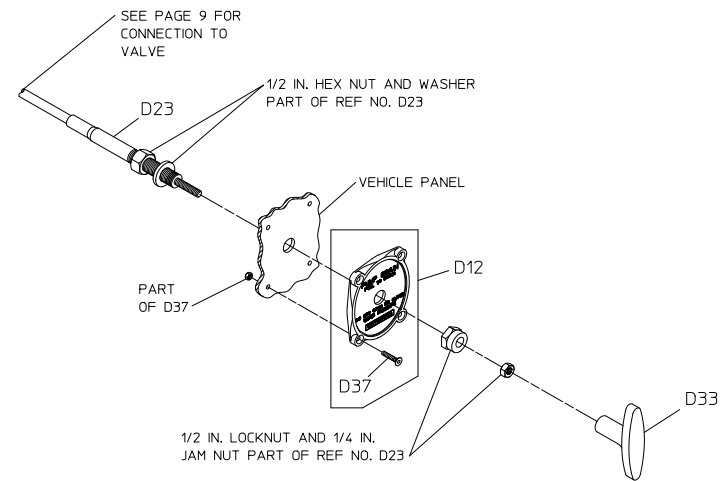
## Panel Connection

REF. NO.	DESCRIPTION
D9	Round hd screw, SS, 1/4-20 x 1/2 in.
D12	Instruction Plate (used prior to April 21, 2006)
D12	Control panel (used after April 21, 2006) <b>(includes mounting hardware)</b>
D23	Control cable, w/mounting hardware

REF. NO.	DESCRIPTION
D24	Lock washer, 1/4 in.
D25	Hex nut, 1/4-20
D33	Handle
D37	Control panel mounting hardware



**DIE CAST PANEL DESIGN  
PRIOR TO APRIL 21, 2006**



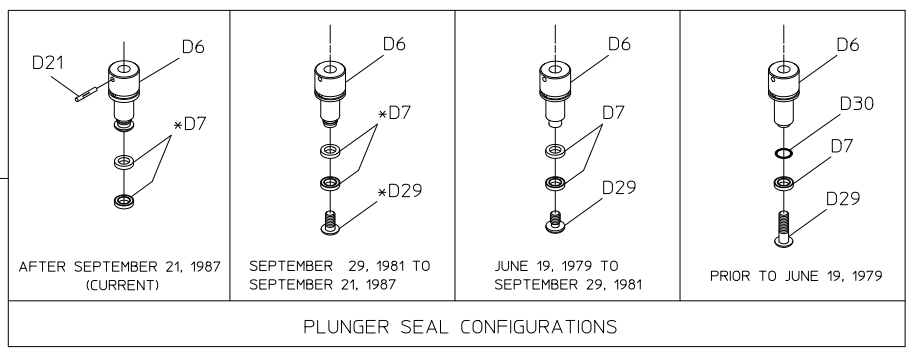
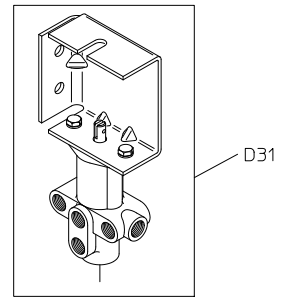
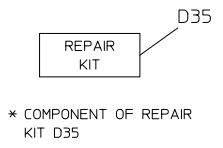
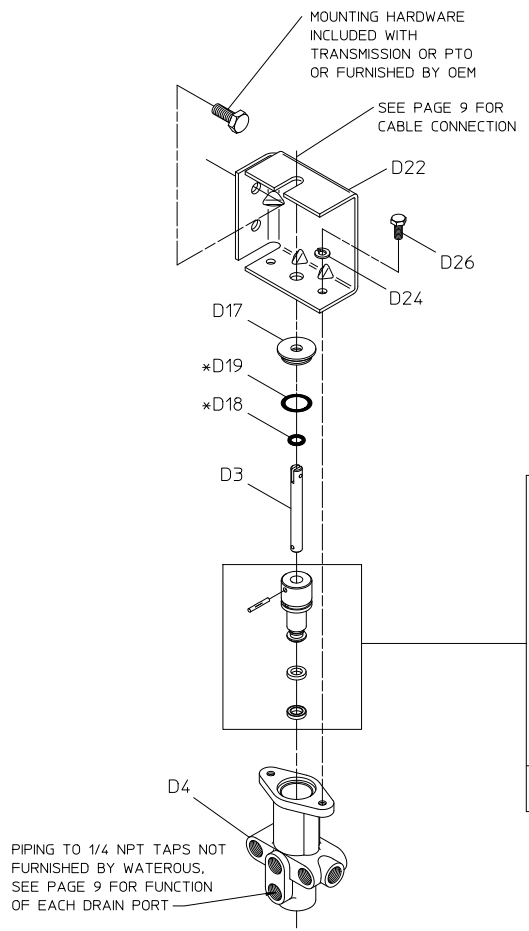
**BEZEL PANEL DESIGN  
AFTER APRIL 4, 2006**

PANEL CONNECTION

## Valve and Bracket Components Exploded View

REF. NO.	DESCRIPTION
D3	Valve Stem
D4	Body
D6	Plunger
D7	Packing, U-cup
D17	End cap
D18	Quad ring
D19	O-ring packing

REF. NO.	DESCRIPTION
D21	Groove pin, SS, 1/8 x 7/8 in. (Prior to 6/25/2018) Spirol pin, SS, 1/8 x 7/8 in. (After 6/25/2018)
D22	Mounting bracket
D24	Lock washer, 1/4 in.
D26	Cap screw, 1/4-20 x 5/8 in.
D29	Machine screw, rd hd, SS, 5/16-18 x 5/8 in.
D30	Packing, O-ring
D31	Drain valve subassembly (less cable)
D35	Repair kit for valves after September 29, 1981 (consists of: D7, D18, D19, D20, D21 and D29)

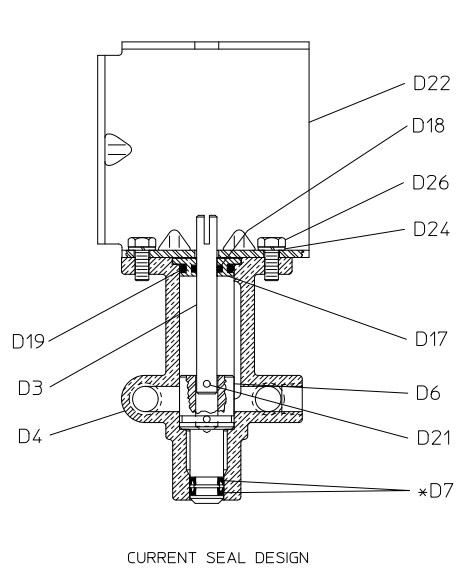


**VALVE AND BRACKET COMPONENTS**  
EXPLODED VIEW

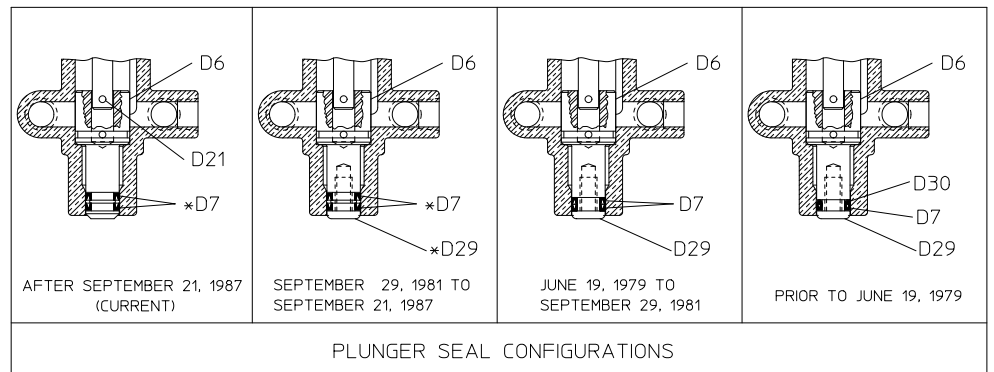
## Valve and Bracket Components Cross Section View

REF. NO.	DESCRIPTION
D3	Valve Stem
D4	Body
D6	Plunger
D7	Packing, U-cup
D17	End cap
D18	Quad ring
D19	O-ring packing
D21	Groove pin, SS, 1/8 x 7/8 in. (Prior to 6/25/2018) Spirol pin, SS, 1/8 x 7/8 in. (After 6/25/2018)

REF. NO.	DESCRIPTION
D22	Mounting bracket
D24	Lock washer, 1/4 in.
D26	Cap screw, 1/4-20 x 5/8 in.
D29	Machine screw, rd hd, SS, 5/16-18 x 5/8 in.
D30	Packing, O-ring
D35	Repair kit for valves after September 29, 1981 (consists of: D7, D18, D19, D20, D21 and D29)



REPAIR KIT D35  
 \* COMPONENT OF REPAIR KIT D35



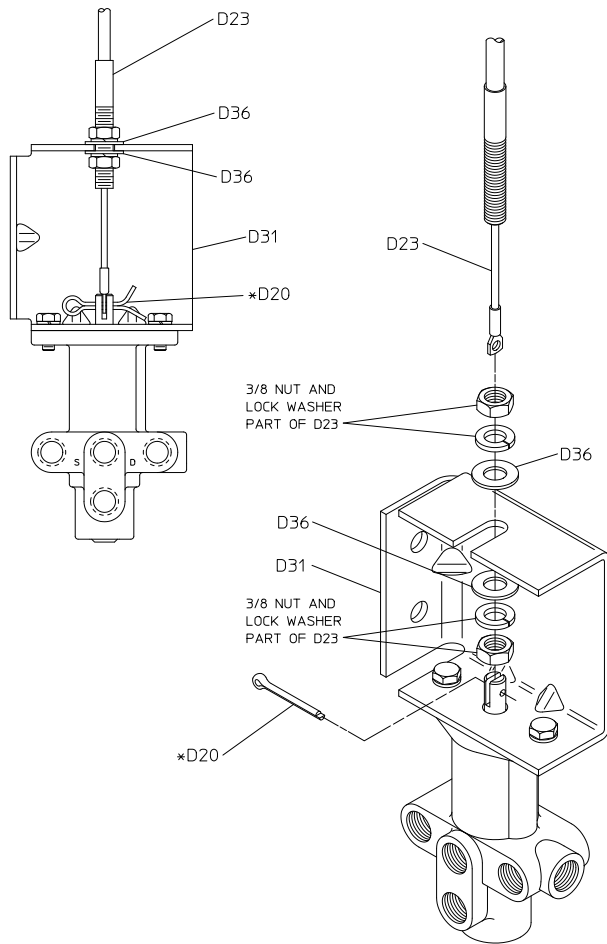
**VALVE AND BRACKET COMPONENTS**  
 CROSS-SECTION VIEW

## Cable Connection to Valve, Drain Port Function

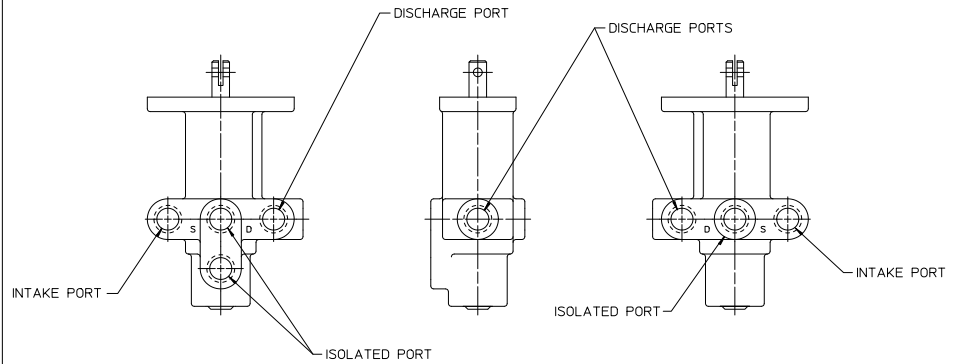
REF. NO.	DESCRIPTION
D20	Cotter pin, SS, 3/16 x 1-1/4 in.
D23	Control cable, w/mounting hardware
D31	Drain valve subassembly (less cable)

REF. NO.	DESCRIPTION
D35	Repair kit for valves after September 29, 1981 (consists of: D7, D18, D19, D20, D21 and D29)
D36	Flat washer, 3/8 in.





**CABLE CONNECTION TO VALVE**



**EXPLANATION OF DRAIN VALVE PORTS**

**DISCHARGE PORTS**

ALL PUMP AND ACCESSORY PASSAGES WHICH ARE NORMALLY UNDER FULL DISCHARGE PRESSURE.

**INTAKE PORTS**

ALL PUMP AND ACCESSORY PASSAGES WHICH ARE CONNECTED TO PUMP SUCTION.

**ISOLATED PORTS**

PUMP PASSAGES SUCH AS FIRST-STAGE DISCHARGE AND SECOND-STAGE INTAKE ARE CONNECTED HERE. THESE POINTS ARE NOT CONNECTED TO PUMP SUCTION, NOR ARE UNDER FULL DISCHARGE PRESSURE.

**UNUSED PORTS**

INSTALL 1/4 IN. BRASS PIPE PLUGS IN ALL UNUSED DRAIN-VALVE PORTS.

**NOTE:**

THE FOLLOWING DRAINS ARE NOT TO BE CONNECTED TO THIS DRAIN VALVE. SEPARATE DRAIN VALVES MUST BE USED FOR THESE.

1. INTAKE RELIEF VALVE CAP
2. DISCHARGE RELIEF VALVE CAP
3. DISCHARGE PILOT VALVE (ON APPARATUS PANEL)
4. EXTRA PRESSURE STAGE (MODEL CMH OR CSH PUMPS)
5. FOAM MANIFOLD
6. PASSAGEWAYS WHICH CARRY FOAM

**DRAIN PORT FUNCTION**



\* COMPONENT OF REPAIR KIT D35