

Gear Case Assembly, Heavy Duty "T" Service Parts List

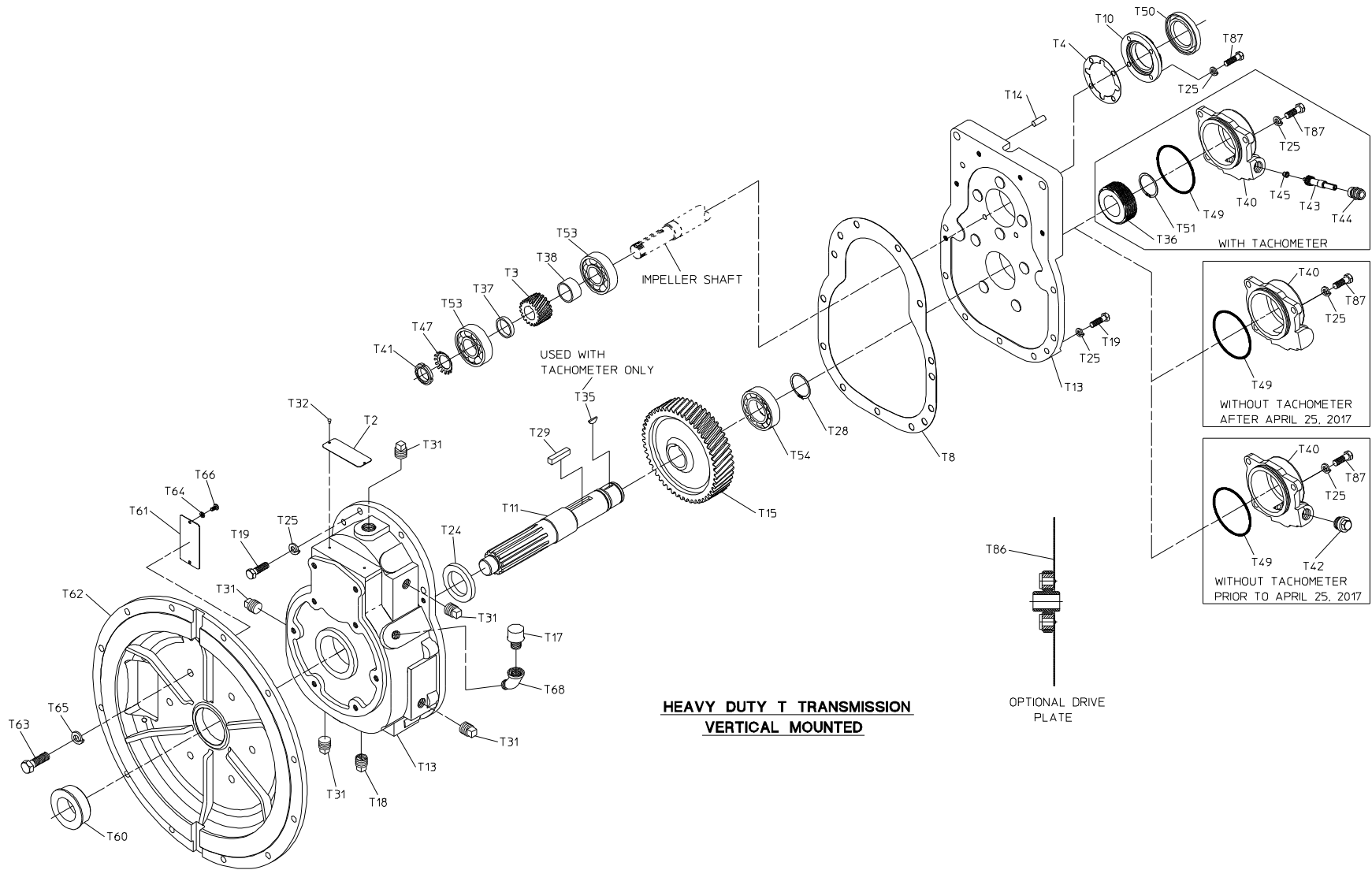
REF NO.	DESCRIPTION
T2	Serial Plate
T3	Driven Gear
T4	Housing Gasket, Oil Seal
T8	Bearing Housing Gasket
T10	Oil Seal Housing
T11	Drive Shaft
T13	Gear Case Assembly
T14	Dowel Pin, 3/8 x 1 in.
T15	Drive Gear
T17	Breather
T18	Magnetic Drain Plug, 1/2 in.
T19	Cap Screw, 3/8-16 x 1-1/4 in.
T21	Cap Screw, 1/2-13 x 1-1/2 in.
T22	Hex Hd Bolt, 1/2-20 x 2-3/4
T23	Hex Nut, 1/2-20
T24	Oil Seal
T25	Lock Washer, 3/8 in.
T27	Lock Washer, 1/2 in.
T28	Snap Ring
T29	Square Key, 3/8 x 1-3/4 in.
T31	Sq Hd Pipe Plug, 1/2 in.
T32	Rd Hd Drive Screw, No. 6 x 1/4 in.
T35	Woodruff Key
T36	Tachometer Drive Gear
T37	Driven Gear Spacer
T38	Driven Gear Spacer

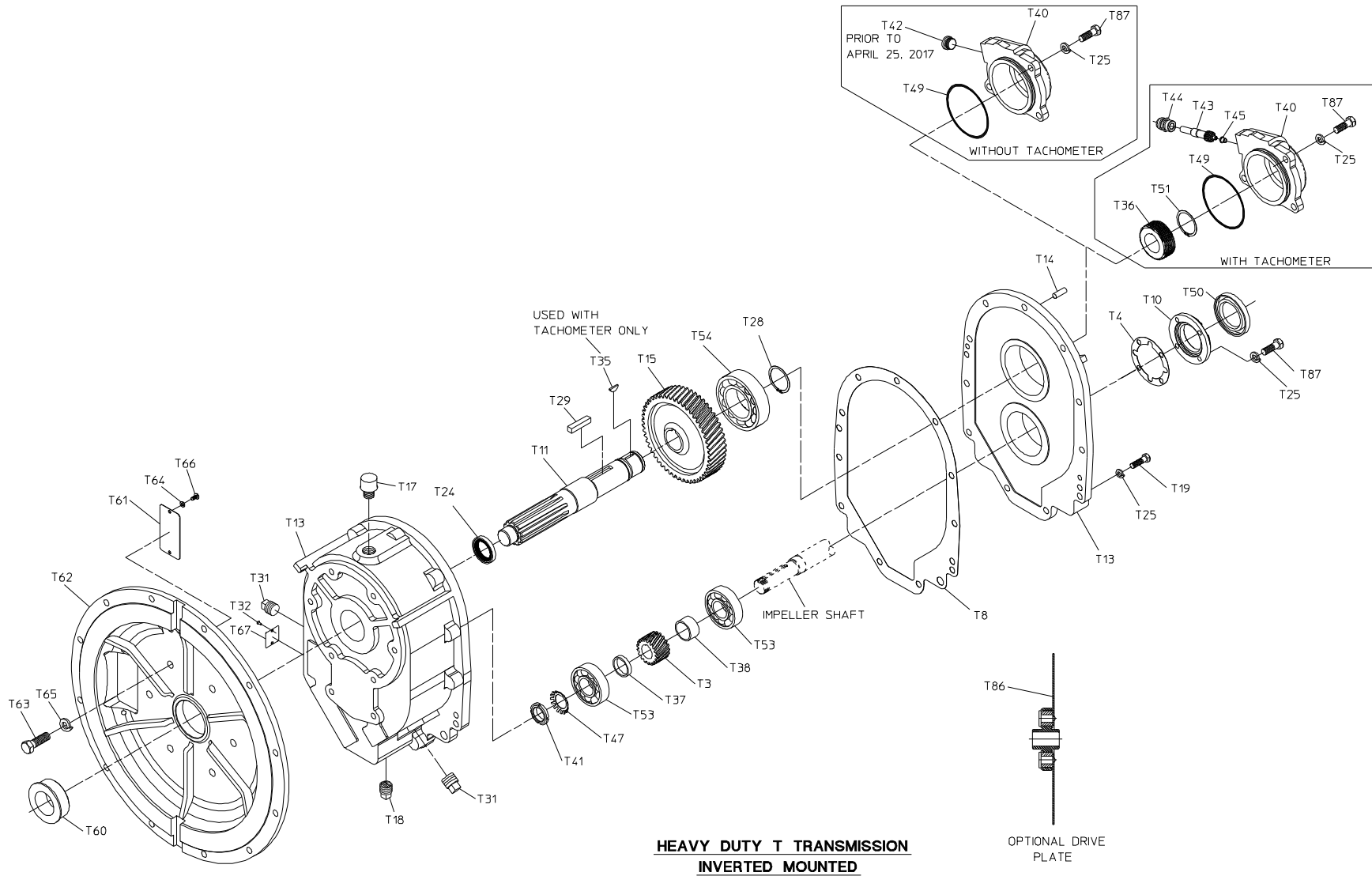
REF NO.	DESCRIPTION
T40	Tachometer Gear Housing
T41	Bearing Lock Nut
T42	Tachometer Cap or Plug
T43	Tachometer Driven Gear
T44	Tachometer Sleeve
T45	Tachometer Bushing
T47	Bearing Lock Washer
T49	O-ring Packing
T50	Oil Seal
T51	Snap Ring
T53	Ball Bearing
T54	Ball Bearing
T60	Bellhousing Adapter Bushing
T61	Access Cover
T62	Bellhousing Adapter
T63	Cap Screw, 7/16-14 x 1-1/4 in. or 2 in.
T64	Lock Washer, 1/4 in.
T65	Lock Washer, 7/16 in.
T66	Rd Hd Screw, 1/4-20 x 3/8 in.
T67	Oil Level Plate
T68	Street Elbow, 45 Deg., 1/2 in.
T84	Pipe Nipple, 1/2 x 2-1/2 in.
T85	Pipe Elbow, 90 Deg., 1/2 in.
T86	Drive Plate (Optional)
T87	Hex Hd Screw, 3/8-16 x 1 in.
T88	Hex Hd Bolt, 1/2-20 x 3-1/4 in.

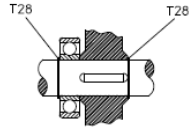
Gear Case Assembly, Heavy Duty "T" Service Parts List (Cont'd)

REF NO.	DESCRIPTION
T89	Cooling Plate and Spacers
T90	O-ring, 2-3/4 x 3
T91	Cooling Plate Gasket
T92	90° Elbow, 3/8 PTC x 1/4 NPT
T93	90° Elbow, 3/8 PTC x 3/8 NPT

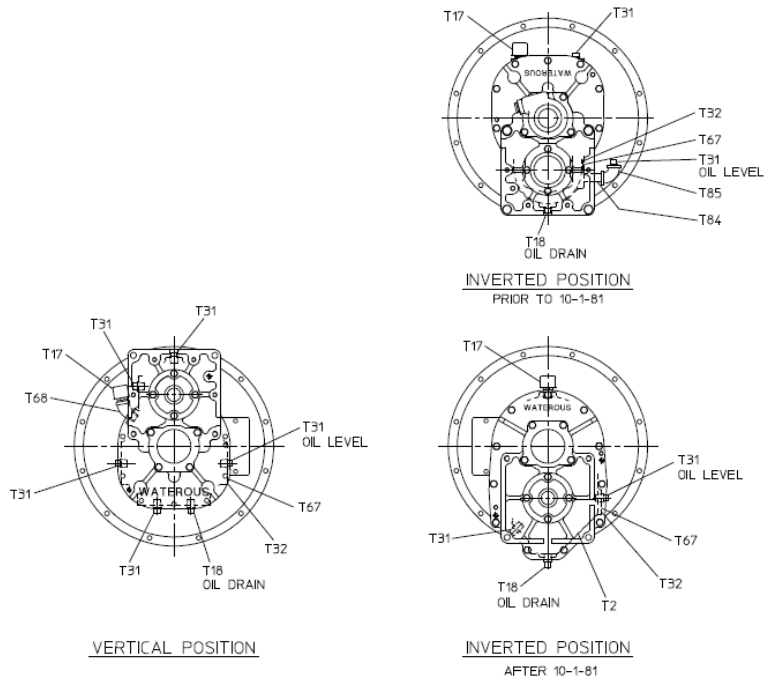
REF NO.	DESCRIPTION
T94	Adapter, 3/8 PTC x 1/4 NPT
T95	Pipe Nipple, 1/4 x 3
T96	Pipe Tee, 1/4
T97	Green Tubing, 3/8 x 24 in.



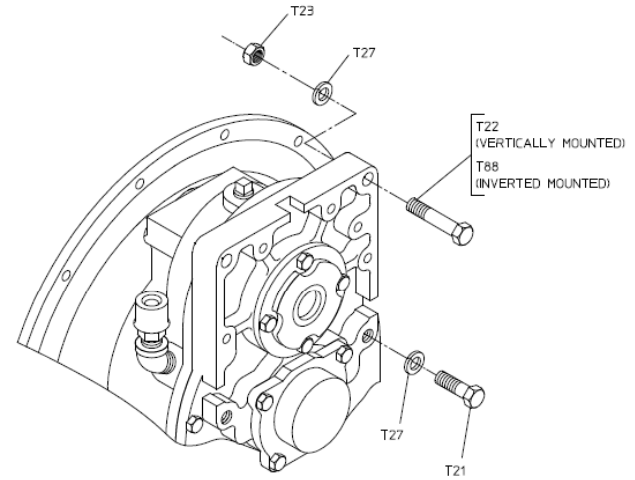




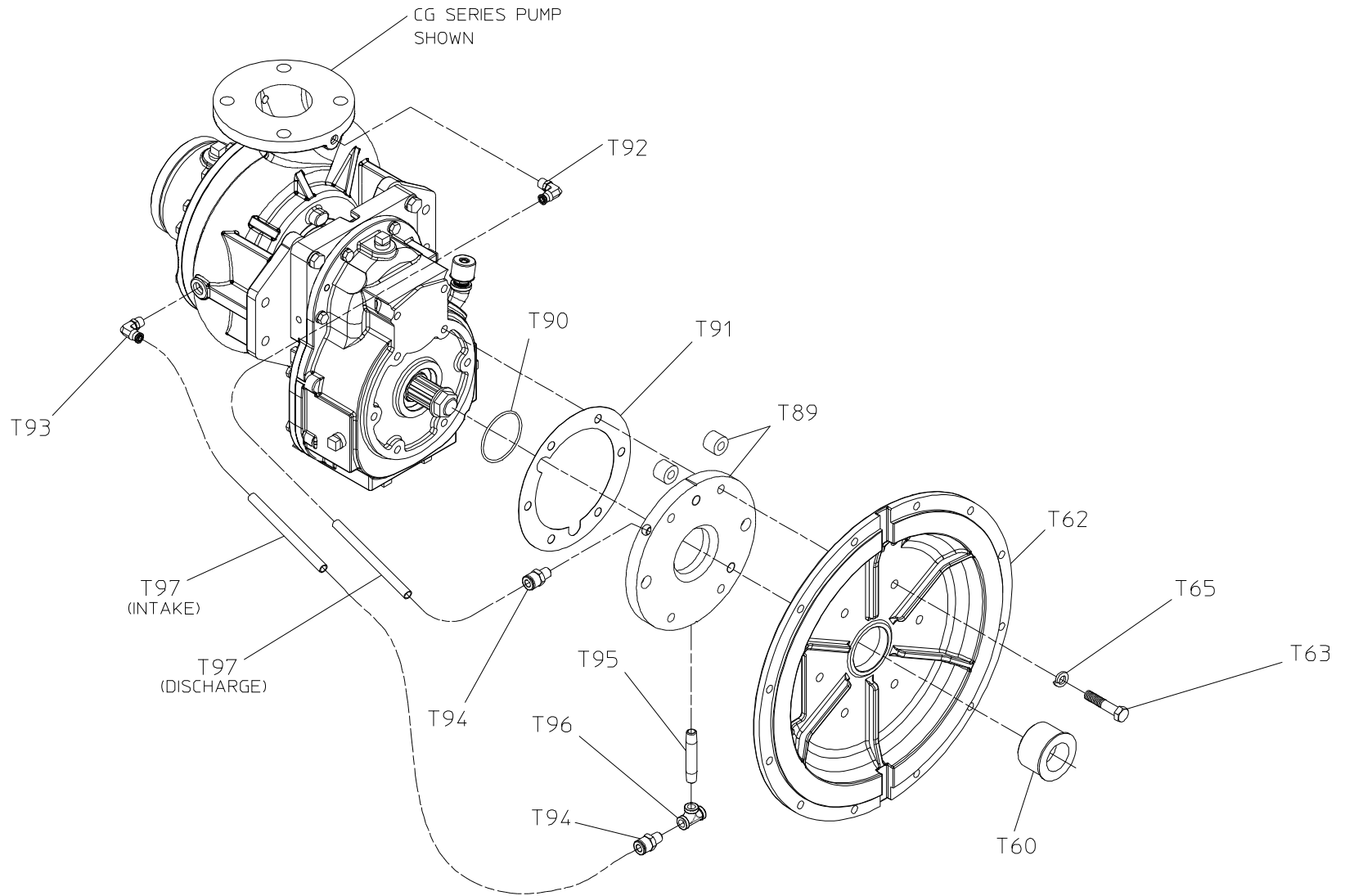
OPTIONAL DRIVE SHAFT



TRANSMISSION MOUNTING POSITIONS
(AS VIEWED FROM PUMP SIDE)



PUMP MOUNTING HARDWARE



OIL COOLER

* TUBING TO BE ROUTED SO NO WATER CAN BE TRAPPED IN LINE. TUBE MUST BE ABLE TO DRAIN INTO COOLER OR INTAKE.