



Document Number SPL80719	Issue Date 04/71	Rev. Date 9/1/16
------------------------------------	----------------------------	----------------------------

2 Inch Relief Valve and Piping Service Parts List

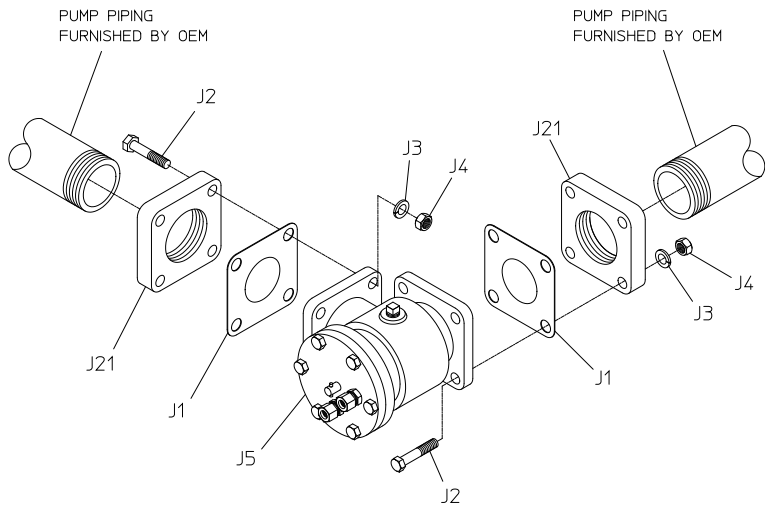
Index:

Valve Mounting	See Page
Separate (Plumbed into pump piping by OEM)	2, 3
On Pump (By Waterous)	4, 5

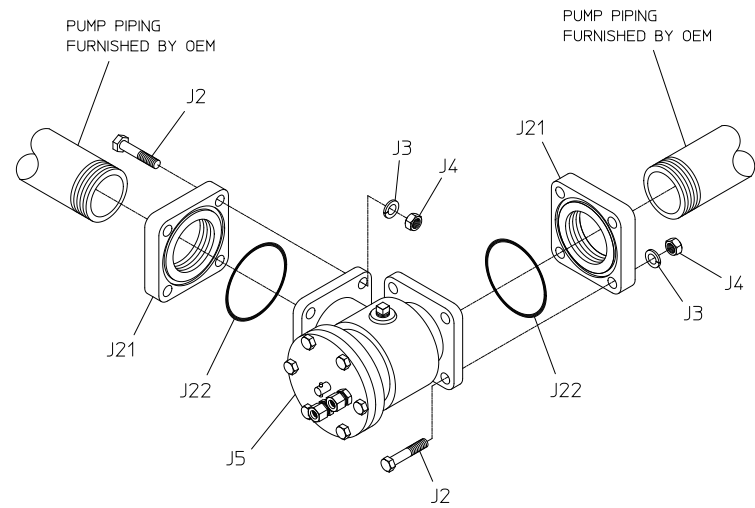
Separately Mounted Valve

REF NO.	DESCRIPTION
J1	Flange Gasket
J2	Hex Hd Bolt, 7/16-20 x 2 in. or 2-1/4 in.
J3	Lock Washer
J4	Hex Nut, 7/16-20

REF NO.	DESCRIPTION
J5	Relief Valve Assembly, Indicating or Non-Indicating (See Separate Parts List for Component Parts)
J21	Tapped Flange, 2 or 2-1/2 NPT (Optional)
J22	O-ring, 3-1/4 x 3-1/5 in.



FLANGES SEALED WITH GASKETS
(PRIOR TO SEPTEMBER 28, 2009)



FLANGES SEALED WITH O-RINGS
(AFTER SEPTEMBER 28, 2009)

SEPARATELY MOUNTED VALVE

Pump Mounted Valve

REF NO.	DESCRIPTION
J1	Flange Gasket
J2	Hex Hd Bolt, 7/16-20 x 1-3/4 in. or 2 in.
J4	Hex Nut, 7/16-20
J5	Relief Valve Assembly, Indicating or Non-Indicating (See Separate Parts List for Component Parts)

REF NO.	DESCRIPTION
J8	Cap Screw, 7/16-14 x 1-1/4 in. Grade 5
J10	Drain Cock, 1/4 in. (Furnished Prior to December 20, 1989)
J12	Relief Valve Adapter

