



Document Number <b>SPL81554</b>	Rev. Date <b>2/27/18</b>
------------------------------------	-----------------------------

# Gear Case Assembly, Heavy Duty "T" Service Parts List

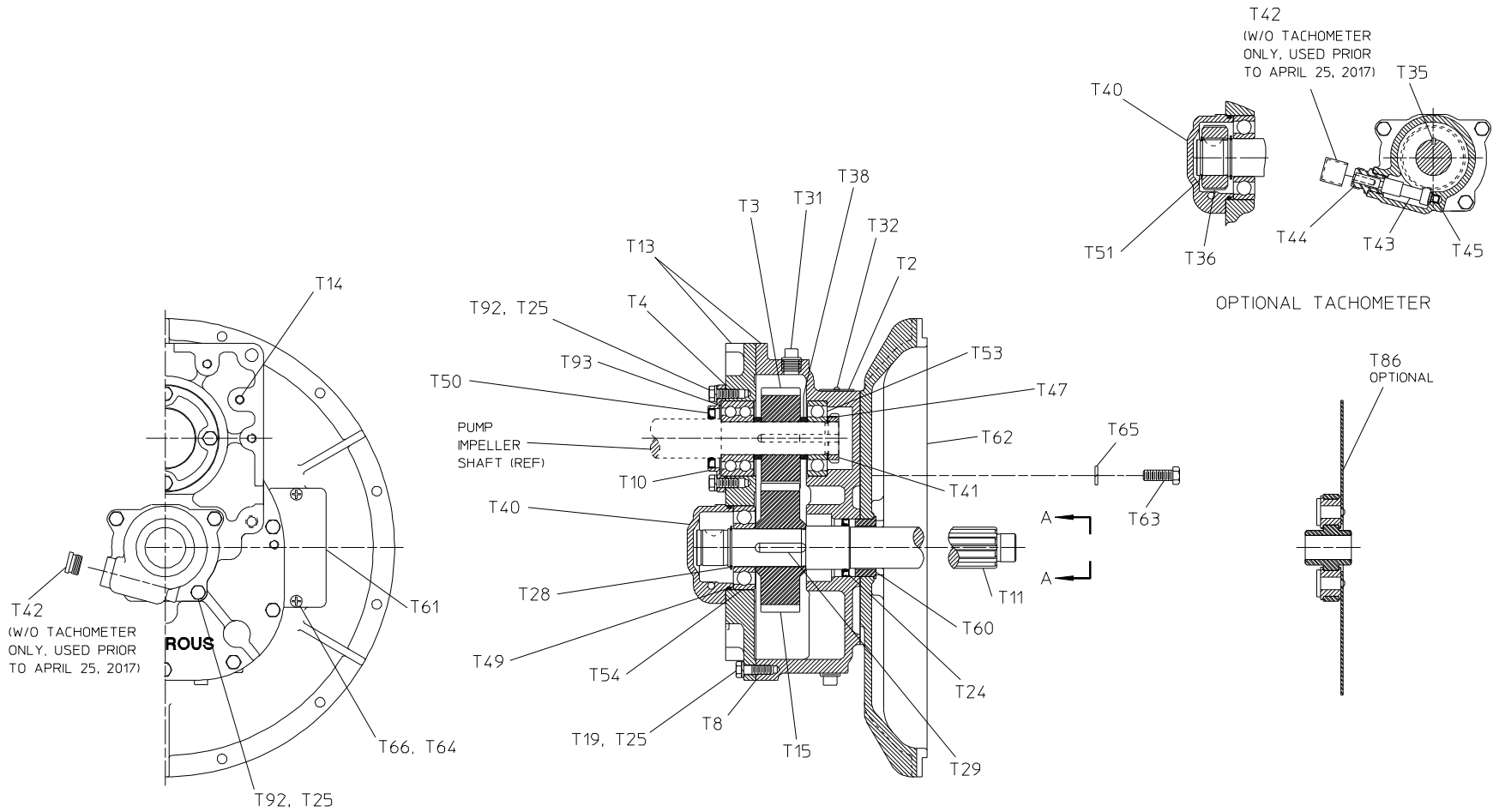
**Index:**

Item	See Pages
Case Components	2, 3
Transmission Mounting Positions	4, 5
Pump Mounting Hardware	

## Case Components

REF NO.	DESCRIPTION
T2	Serial Plate
T3	Driven Gear
T4	Housing Gasket, Oil Seal
T8	Bearing Housing Gasket
T10	Oil Seal Housing
T11	Drive Shaft
T13	Gear Case Assembly
T14	Dowel Pin, 3/8 x 1 in.
T15	Drive Gear
T19	Hex Hd Screw, 3/8-16 x 1-1/4 in.
T24	Oil Seal
T25	Lock Washer, 3/8 in.
T28	Retaining Ring
T29	Square Key, 3/8 x 1-3/4 in.
T31	Sq Hd Pipe Plug, 1/2 in.
T32	Rd Hd Drive Screw, No. 6 x 1/4 in.
T35	Woodruff Key
T36	Tachometer Drive Gear
T38	Driven Gear Spacer
T40	Tachometer Gear Housing
T41	Bearing Lock Nut

REF NO.	DESCRIPTION
T42	Tachometer Cap or Plug
T43	Tachometer Driven Gear
T44	Tachometer Sleeve
T45	Tachometer Bushing
T47	Bearing Lock Washer
T49	O-ring Packing
T50	Oil Seal
T51	Snap Ring
T53	Ball Bearing, Single Row (max. capacity)
T54	Ball Bearing, Single Row
T60	Bellhousing Adapter Bushing
T61	Access Cover
T62	Bellhousing Adapter
T63	Hex Hd Screw, 7/16-14 x 1 in.
T64	Lock Washer, 1/4 in.
T65	Lock Washer, 7/16 in.
T66	Rd Hd Screw, 1/4-20 x 3/8 in.
T86	Drive Plate (optional)
T92	Hex Hd Screw, 3/8-16 x 1 in.
T93	Ball Bearing, Double Row

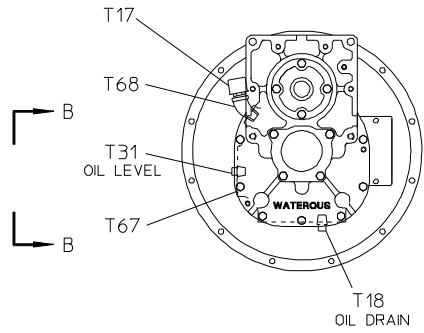
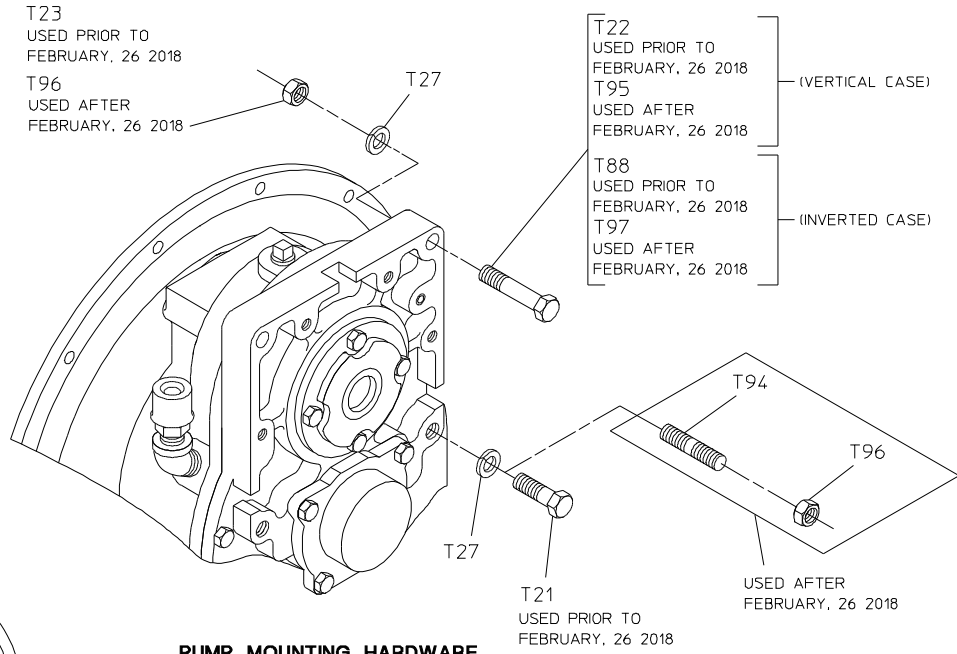
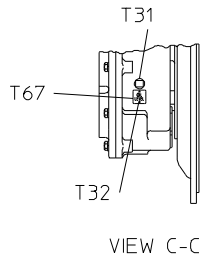
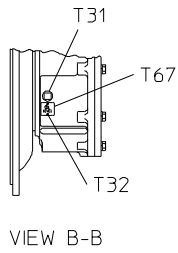


SEE PAGE 5 FOR MOUNTING, OIL LEVEL, AND BREATHER POSITIONS AVAILABLE

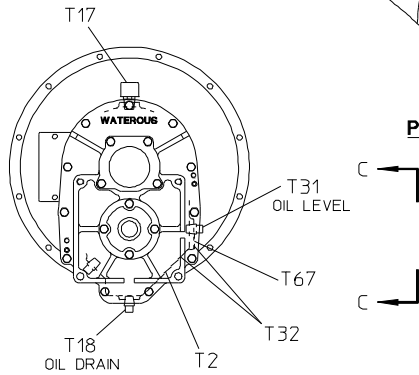
## Transmission Mounting Positions and Pump Mounting Hardware

REF NO.	DESCRIPTION
T2	Serial Plate
T17	Breather
T18	Magnetic Drain Plug, 1/2 in.
T21	Hex Hd Screw, 1/2-13 x 1-1/2 in.
T22	Hex Hd Screw, 1/2-20 x 2-1/2 in.
T23	Hex Nut, 1/2-20
T27	Lock Washer, 1/2 in.
T31	Sq Hd Pipe Plug, 1/2 in.

REF NO.	DESCRIPTION
T32	Rd Hd Drive Screw, No. 6 x 1/4 in.
T67	Oil Level Plate
T68	Street Elbow, 45°, 1/2 in.
T88	Hex Hd Screw, 1/2-20 x 3 in.
T94	Stud, 1/2-13 x 2-1/4 in.
T95	Hex Hd Screw, 1/2-13 x 2-3/4 in.
T96	Hex Nut, 1/2-13
T97	Hex Hd Screw, 1/2-13 x 3-1/4 in.



VERTICAL POSITION



INVERTED POSITION

**TRANSMISSION MOUNTING POSITIONS**