

Issued: 3/91  
Revised: 10/07/97

**W A T E R O U S**

WATEROUS COMPANY  
SOUTH ST. PAUL, MINNESOTA

## RELIEF VALVE AND PIPING ASSEMBLY, 3 INCH

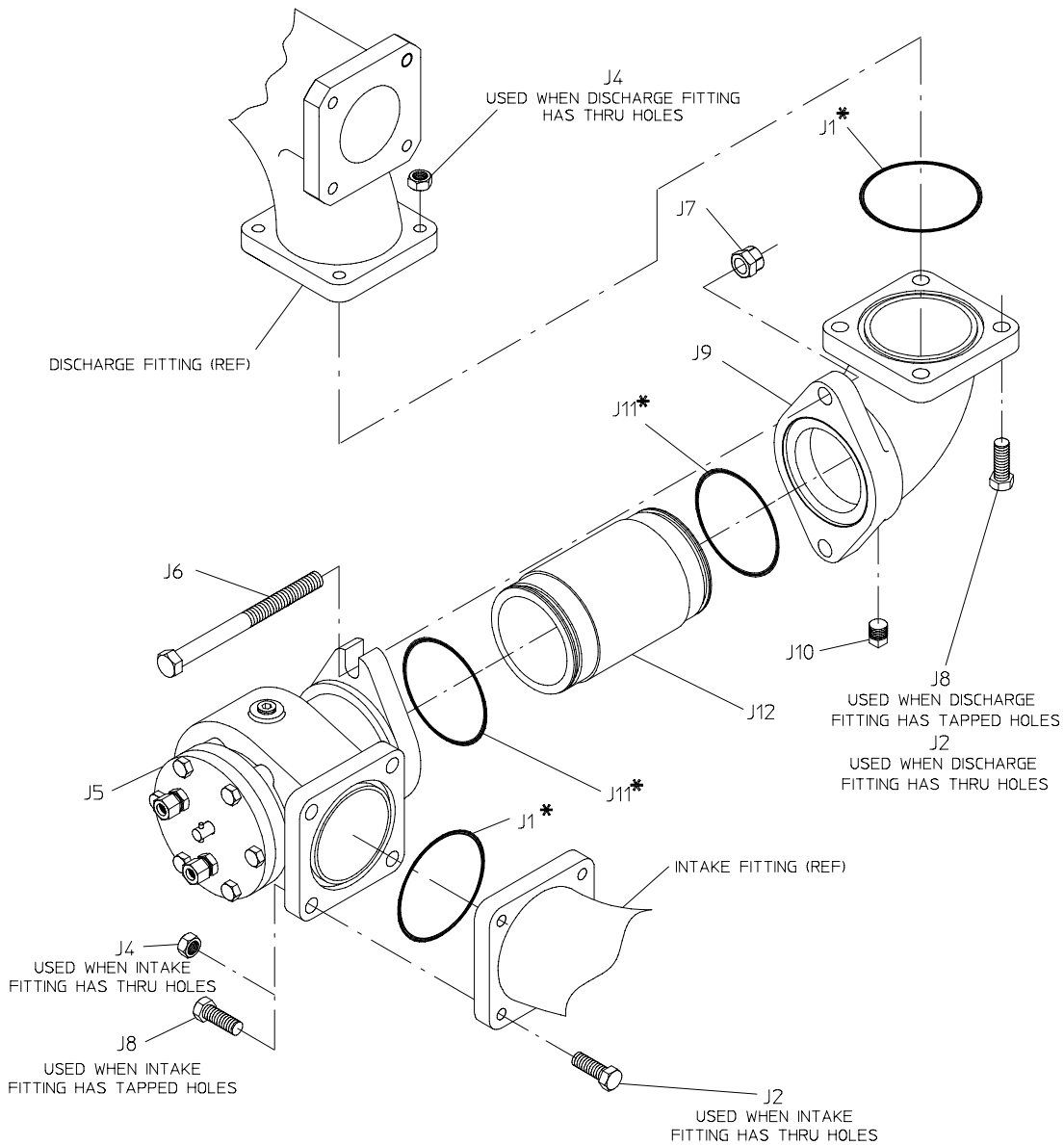
REF NO.	DESCRIPTION	REF NO.	DESCRIPTION
J1	O-ring, 3-3/8 x 3-5/8 in.	J32	Indicator light, amber lens (open)
J2	Hex hd screw, 7/16-20 x 1-3/4 in., or hex screw 7/16-14 x 1-1/4 in., standard or self-locking	J33	Hex nut, No. 8-32 (not furnished by Waterous after 5/15/88)
J4	Hex nut, 7/16-20	J34	Lock washer, No. 8 (not furnished by Waterous after 5/15/88)
J5	Relief valve assembly, indicating or non-indicating (see separate parts list for component parts)	J35	Round hd screw, SS, No. 8-32 x 3/8 in. (not furnished by Waterous after 5/15/88)
J6	Hex hd screw, 1/2-20 x 6 in., or 2-1/4 in.	J36	Sealing grip (used after 8/5/86)
J7	Self-locking nut, 1/2-20	J56	Hex nut, 1/2-20
J8	Hex hd screw, 7/16-20 x 1-1/4 in.	J57	Lock washer, 1/2
J9	Elbow	V60	Repair kit (part of J5 relief valve assembly includes J1 and J11)
J10	Pipe plug, 1/4 in.		
J11	O-ring, 3-1/4 x 3-1/2 in.		
J12	Connecting pipe		
J16	Tapped flange, 3 NPT, 2 bolt		
J17	Wire assembly (includes items J23, J26 & J36), dual relief valves only		
J23	Actuator switch		
J26	Wiring harness		
J27	Indicating light wire assembly		
J28	Wire assembly		
J29	Panel plate (used until 2/25/91; after 2/5/91, lights are attached to pilot valve plate)		
J30	Indicator light, green lens (closed)		
J31	Light bulb (12 V - light no. 1891, 24 V - light no. 313)		

**PLEASE NOTE**

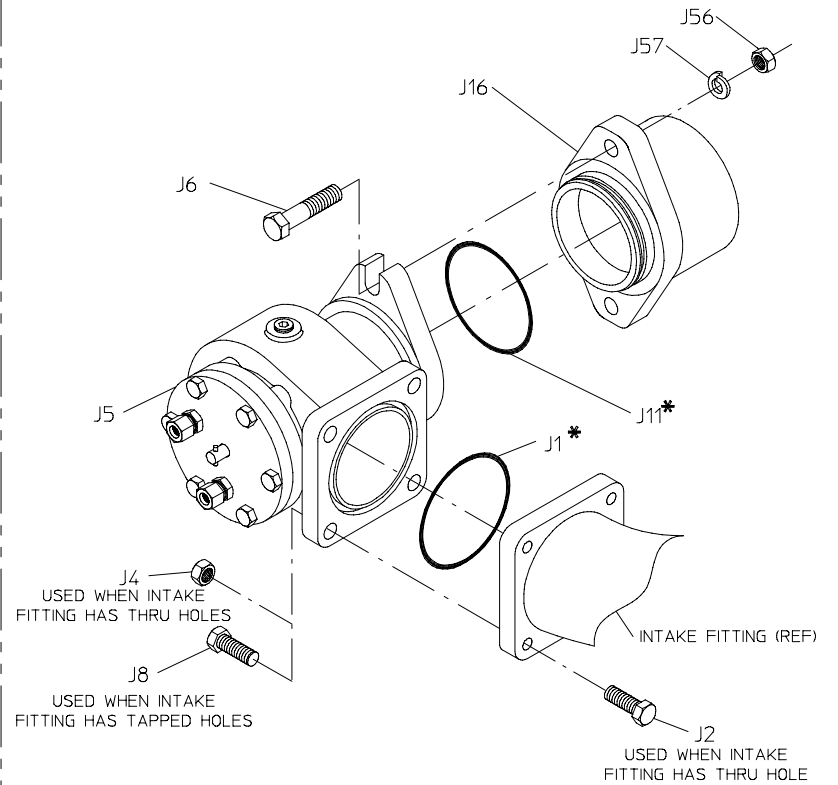
**WHEN ORDERING PARTS PLEASE SUPPLY PUMP SERIAL NUMBER**

SPL81587

PAGE 1 OF 3

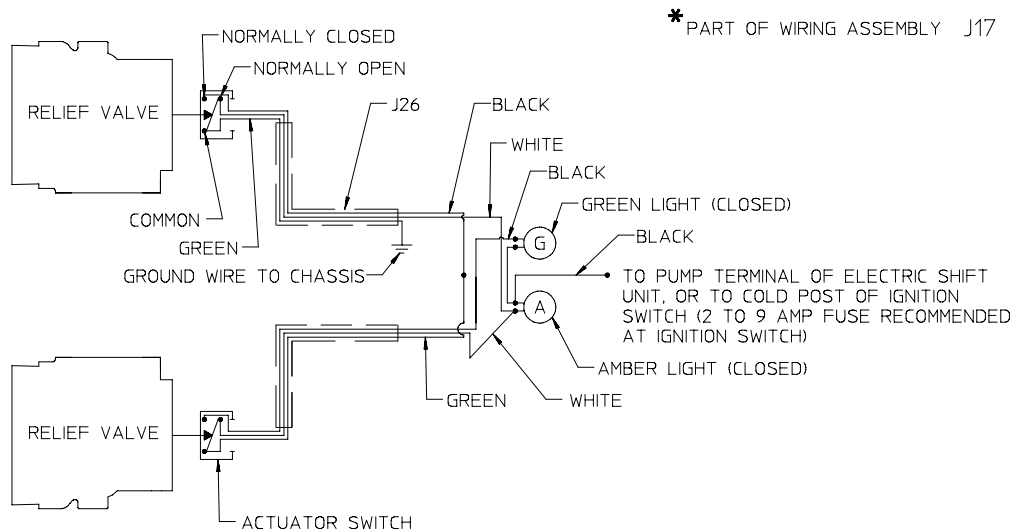
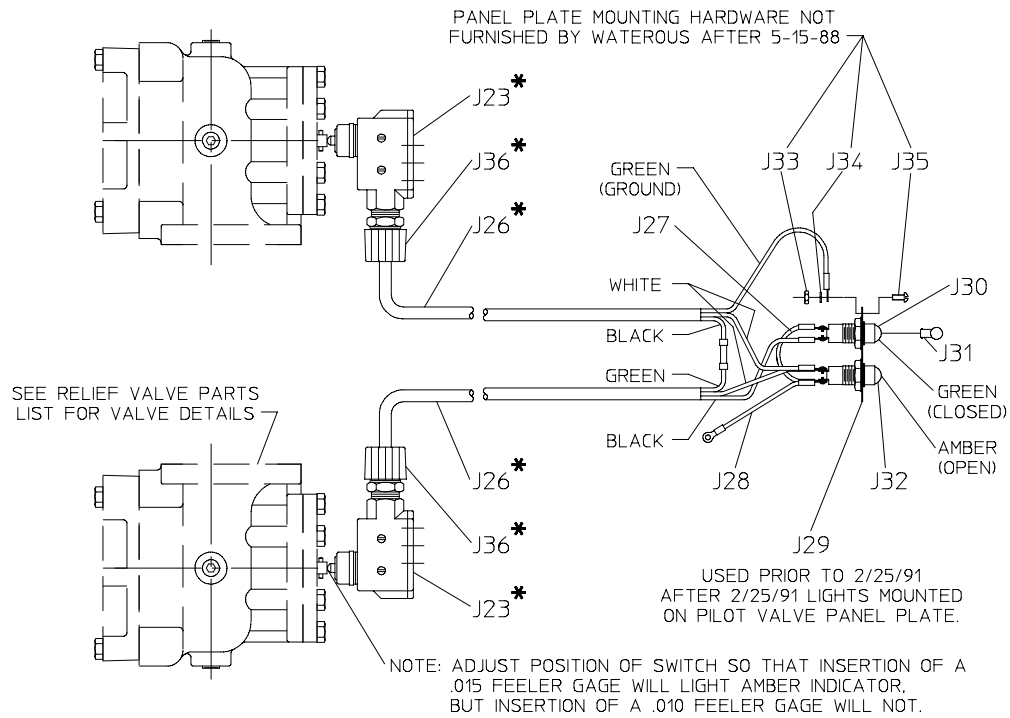


**CM, CS STANDARD PUMP MOUNTED VALVE**



**CM, CS PUMP MOUNTED WITH TAPPED INLET**

\* THESE PARTS INCLUDED  
IN RELIEF VALVE REPAIR KIT.  
REFER TO RELIEF VALVE ASSEMBLY.



**DUAL RELIEF VALVE WIRING**