

Issued: 6/88  
Revised: 01/15/04

**W A T E R O U S**

WATEROUS COMPANY  
SOUTH ST. PAUL, MINNESOTA

## PB18G SERIES PORTABLE PUMPING UNIT

REF NO.	DESCRIPTION	REF NO.	DESCRIPTION
1	Drain cock	39	Wear ring
2	Serial plate	40	Mechanical seal
3	Drive screw, No. 6 x 1/4 in.	41	Impeller
4	Impeller nut	42	Flat washer, 1/2 in., SS
5	Fender washer	43	Hex hd screw, 3/8-24 x 1-1/8 in.
6	Gear spacer	44	Volute body subassembly (includes 39)
7	Lock washer, 5/16 in.	45	Gear case cover
9	O-ring	46	Compression elbow, 90°
11	Shaft sleeve	47	Ball valve, 1/4 in.
12	O-ring	48	Pipe nipple, 1/4 x 1-1/2 in., galv.
13	Primer tube	49	Magnetic plug
14	Compression connector	50	Gear case subassembly (includes 2, 3, 52 & 113)
15	Exhaust primer subassembly	51	Needle bearing, inner race
16	Drive gear	52	Needle bearing
19	Driven gear	53	18 HP engine replacement kit
20	Hex hd screw, 1/4-20 x 3/4 in.	55	Breather
21	Lock washer, 1/4 in.	56	Ball valve, 1 in.
25	Lock nut, 1/4-20	57	Hex hd screw, 5/16-18 x 1-1/4 in.
26	Hex hd bolt, 1/4-20 x 1-1/4 in.	58	Rail base
27	Exhaust valve	59	Hex hd screw, 3/8-16 x 1 in.
28	Exhaust primer handle	60	Hex nut, 5/16-18, SS
30	Throttle control	61	Lock nut, 1/4-20
32	Lock nut, 10-24	62	Rubber foot
33	Square key, 3/16 x 1 in., SS	63	Round hd machine screw, 1/4-20 x 3/4 in.
34	Hex hd screw, 7/16-20 x 2-3/4 in.	64	Handle grip
35	Lock washer, 7/16 in.	65	Pick-up handle
36	Gear case gasket	66	Compression spring
37	Flat copper washer, 3/8 in.	69	Foot spacer
		70	Round hd machine screw, 1/4-20 x 2-1/4 in.

**PLEASE NOTE**  
**WHEN ORDERING PARTS PLEASE SUPPLY PUMP SERIAL NUMBER**

# W A T E R O U S

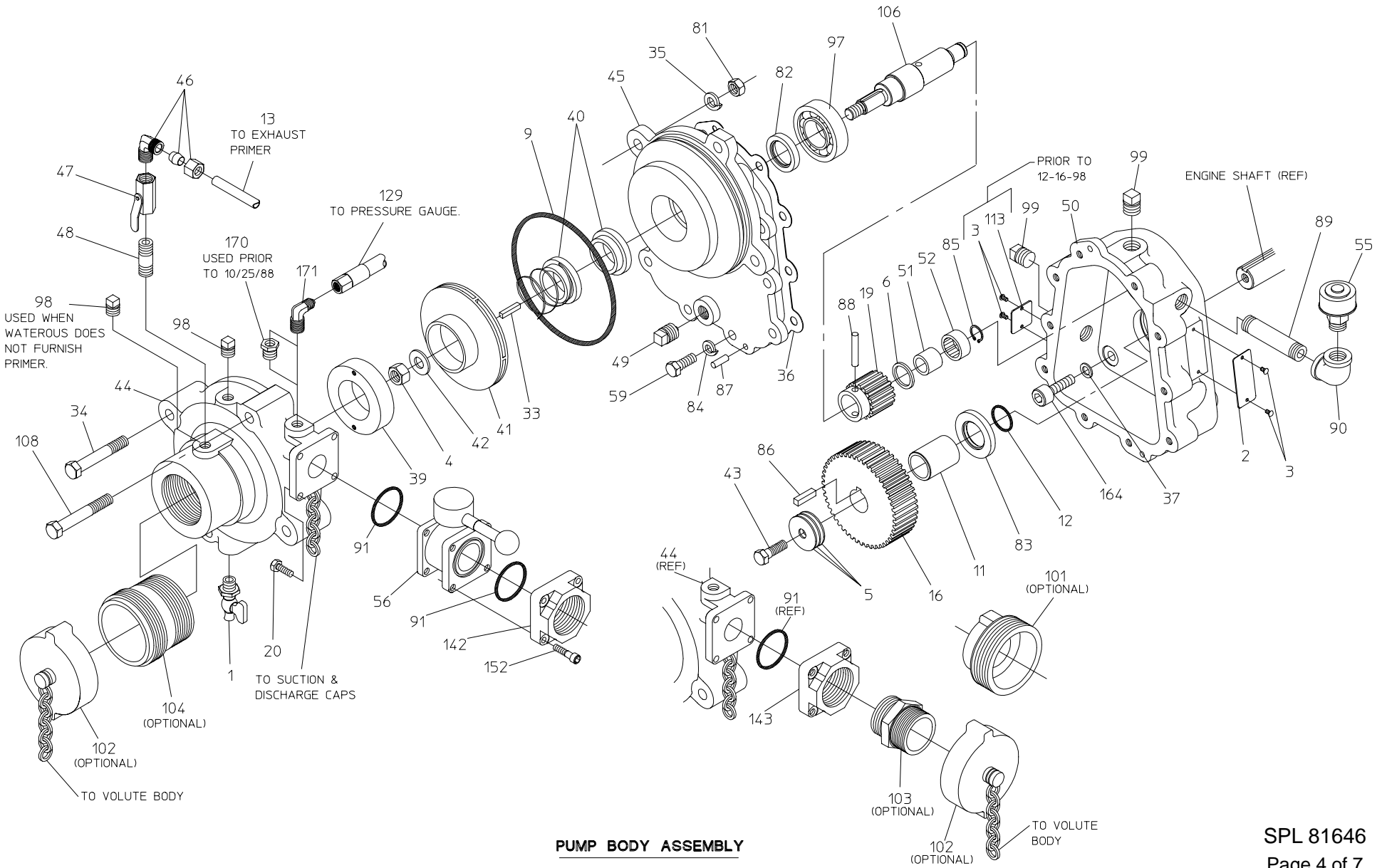
## PB18 SERIES PORTABLE PUMPING UNIT

REF NO.	DESCRIPTION	REF NO.	DESCRIPTION
81	Hex nut, 7/16–20	114	Spark arrestor
82	Oil seal	115	Exhaust gasket (refer to 178 or 198)
83	Oil seal	116	Choke decal
84	Lock washer, 3/8 in.	119	Instrument panel (includes 189 Panel Plate)
85	Snap ring	122	Wire subassembly, battery to ground, black
86	Square key, 1/4 x 1 in.	123	Wire subassembly, off switch to ground, black
87	Dowel pin, 1/4 x 3/4 in.	124	Wire subassembly, off switch to magneto, black
88	Spirol pin, 1/4 x 1–1/2 in.	125	Fuel hose bushing
89	Pipe nipple, 3/8 x 3 in., galv.	126	Fuel hose
90	Pipe elbow, 90°, 3/8 in., galv.	127	Pressure gauge, 600#
91	O–ring	128	Wiring heat shield
92	Roll pin, 3/16 x 1–1/4 in., SS	129	Pressure gauge hose
94	Muffler (refer to 178)	130	Alternator wire subassembly
95	Primer adapter	131	Self lock screw
97	Ball bearing	132	Rear insert subassembly
98	Pipe plug, 1/4 in.	133	Muffler bracket
99	Pipe plug, 3/8 in.	135	Switch seal
101	Discharge adapter, 1–1/2 in. NH x 2–1/2 in. NH	136	Switch (Off)
102	Cap with chain	137	Switch (Start)
103	Discharge adapter, 1–1/2 in. NPT x 1–1/2 in. NH	138	Hose clamp
104	Suction adapter, 2 in. NPT x 2 in. NH	139	Pipe elbow, 90°, 1/4 in., galv.
106	Impeller shaft	142	Discharge adapter
108	Hex hd screw, 7/16–20 x 3 in.	143	Discharge adapter
109	Hex hd screw, 1/4–20 x 1 in.	144	Street elbow, 90°, 1/2 in., galv.
110	Litter base	146	Socket hd screw, 10–32 x 1–1/4 in.
111	End frame	147	Fuel tank subassembly (includes 138, 211, 212, 213, 214 & 256)
112	Side frame	148	Battery holder
113	Oil level plate	149	Battery hold down

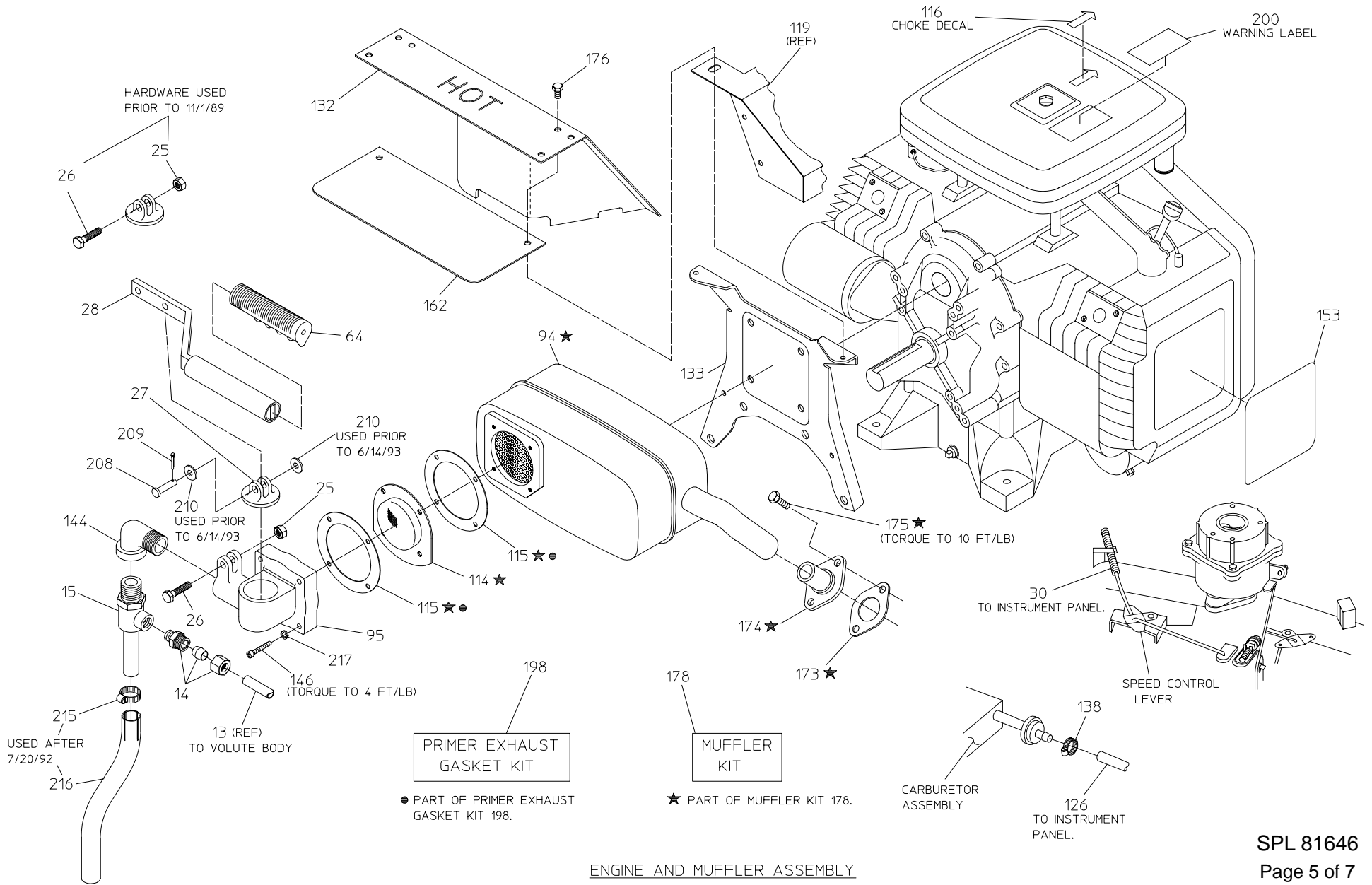
# W A T E R O U S

## PB18 SERIES PORTABLE PUMPING UNIT

REF NO.	DESCRIPTION	REF NO.	DESCRIPTION
151	Curved flange Tee nut	189	Panel plate (Included with 119 Instrument Panel or available separately)
152	Socket hd screw, 1/4-20 x 1 in.	190	Switch (light)
153	Pump decal	191	Solenoid
154	Cable tie	192	Bulb, 12 volt, #68
160	Hex nut, 1/4-20	193	Panel light
162	Muffler heat shield	194	Hex hd screw, 1/4-20 x 1/2 in.
163	Round hd machine screw, No. 10-24 x 1/2 in.	198	Primer exhaust gasket kit (includes 115)
164	Socket hd screw, 3/8-16 x 1-1/2 in.	200	Warning label
168	Button plug	201	Wire subassembly, indicating light to oil pressure switch
170	Pipe bushing, 1/8 x 1/4 in. (used prior to 10/25/88)	202	Wire subassembly, alternator to indicating light
171	Elbow, male, 90°	203	Indicating light, red
172	Cable clamp	204	Oil pressure switch
173	Port liner gasket	205	Oil pressure decal
174	Port liner	208	Clevis pin, 1/4 x 1-1/4 in. (used prior to 6/14/93) 1/4 x 1 in. (used after 6/14/93)
175	Cap screw, 1/4-20 x 3/4 in.	209	Cotter pin, 5/64 x 1/2 in.
176	Self tapping screw, 1/4-14 x 1/2 in.	210	Flat washer, 1/4 in. (used prior to 6/14/93)
178	Muffler replacement kit (includes 94, 114, 115, 173, 174 and 175)	211	Fuel tank
180	Wire subassembly, battery to solenoid, red	212	Hose connector
181	Wire subassembly, solenoid to starter, red	213	Fuel hose
182	Wire subassembly, solenoid to start switch, red	214	Quick-release connector
183	Wire subassembly, start switch to light switch, red	215	Hose clamp (used after 7/20/92)
184	Wire subassembly, light switch to light, red	216	Extension tube (used after 7/20/92)
185	Wire subassembly, light to ground, black	217	Lock washer, No. 10
186	Wire subassembly, solenoid to start switch, red	247	Round hd machine screw, #10-24 x 1 in.
188	Solenoid bracket	256	Fuel cap



**PUMP BODY ASSEMBLY**



ENGINE AND MUFFLER ASSEMBLY

