

Issued: 04/12/96

Revised: 11/09/04

**W A T E R O U S**

WATEROUS COMPANY

SOUTH ST. PAUL, MINNESOTA

## TG100 POWER TAKE-OFF ASSEMBLY

REF NO.	DESCRIPTION	REF NO.	DESCRIPTION
T2	Drive gear	T48	Plain washer, 1 in.
T3	Gear case assembly	T49	Lock washer, 3/8 in.
T4	Dowel pin, 3/8 x 1 in.	T51	Retaining ring
T5	Serial plate	T54	Square key, 3/8 x 3-7/16 in.
T8	Drive shaft spacer	T55	Spirol pin, SS, 1/4 x 1-1/4 in.
T9	Bearing spacer, coupling shaft	T56	Square hd pipe plug, 3/4 in.
T11	Oil seal sleeve	T57	Street elbow, 90°, 1/2 in.
T15	Adjusting screw	T58	Round hd drive screw, No. 6 x 1/4 in.
T17	Shifter shoe (included with fork T152)	T59	Hex hd screw w/thread sealant, 3/8-16 x 1-1/4 in.
T20	Gasket, bearing housing cover	T60	Ball bearing, drive shaft
T22	Coupling shaft housing	T62	Ball bearing, coupling shaft
T23	Shift lever assembly (with sleeve bearing)	T63	Ball bearing, drive shaft pilot
T25	Bearing cover, idler shaft	T65	Ball bearing, idler shaft
T28	Shift collar	T66	Ball bearing, drive shaft
T30	Coupling shaft	T67	Oil seal housing
T31	Drive shaft	T132	Drain pipe
T34	Gear case gasket	T149	Sleeve bearing, shift shaft lower
T35	Driven gear	T150	Shift shaft
T36	Magnetic drain plug, 3/4 in.	T151	O-ring, 3/4 x 7/8
T37	Breather	T152	Shift fork (supplied with shifter shoe T17 and shifter shoe studs T38)
T38	Shifter shoe stud (included with fork T152)	T153	Spirol pin, Heavy duty, 5/16 x 1-1/4 in.
T39	Shaft nut	T155	Sleeve bearing, shift shaft upper
T40	Hex hd screw, 3/8-16 x 1 in.	T156	Shim, coupling shaft housing, 0.005, 0.007 and 0.010 in.
T42	Hex hd screw, 3/8-24 x 1-1/2 in.	T167	Gasket kit (consists of T20, T34, T39, T151, T156, T181 & T186)
T43	Hex nut, 3/8-24	T168	Pipe plug, 1/8 in.
T44	Cotter pin, 1/8 x 1-3/4 in. (Used prior to 04/20/98)		
T47	Oil seal, coupling shaft		

### PLEASE NOTE

**WHEN ORDERING PARTS PLEASE SUPPLY PUMP SERIAL NUMBER**

SPL82120

Page 1 of 12

# W A T E R O U S

WATEROUS COMPANY  
SOUTH ST. PAUL, MINNESOTA

## TG100 POWER TAKE-OFF ASSEMBLY

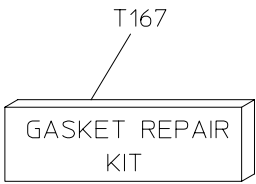
REF NO.	DESCRIPTION	REF NO.	DESCRIPTION
T171	Gear, idler shaft, 37T	T196	Sleeve bearing, load limiter
T172	Gear, idler shaft, 81T	T197	Spirol pin, load limiter, 1/8 x 3/4 in.
T173	Oil seal, drive shaft	T198	Switch bracket
T174	Drive shaft spacer	T199	Push button switch
T175	Companion flange	T200	Wire harness, (4) wires
T176	Idler shaft spacer	T201	Panel plate
T177	Hex hd screw, nylok, 1/2-13 x 1-1/2 in., 12-1.75 x 40mm or 16-1.75 x 50mm	T202	Switch guard
T178	Lock washer, 1/2 in., 12mm or 16mm	T203	Switch (2) position
T179	Driven gear washer	T204	Circuit breaker, 12 volt
T180	Key (metric) 8 x 10 x 53mm	T205	Green light, 12 volt
T181	O-ring, 4-1/2 x 4-3/4	T206	Wire assembly, black, 42 in.
T182	Air compressor mounting bracket	T207	Wire assembly, black, 4-1/2 in.
T183	Socket low hd screw (M16-2.0 x 1.09 in.), socket hd screw, (M10-1.5 x 30mm) or socket hd screw (M8-1.25 x 25mm)	T208	Wire assembly, white, 4-1/2 in.
T184	Hex hd screw, 5/8-11 x 1-3/4 in. or 5/8-11 x 2 in.	T209	Wire assembly, white, 3 in.
T185	Lock washer, 5/8 in.	T210	Copper washer, 3/8 in.
T186	Shim, drive shaft, 0.010 in. thick	T211	Wiring assembly (consists of: T200, T203, T204, T205, T206, T207, T208 and T209)
T187	Electric shift actuator	T212	Clevis pin, 1/4 x 1-1/4 in. (used prior to 04/18/97)
T188	Load limiter shaft	T213	Cotter pin, 3/32 x 1/2 in. (Used prior to 6/25/96)
T189	Idler shaft	T213	Hair pin cotter, .059 x 1-1/8 in. (Used after 6/25/96 and prior to 04/18/97)
T190	End cap, load limiter	T214	Plain washer, 1/4 in.
T191	Spring, load limiter	T215	Pipe plug, steel, 1/4 in.
T192	Sliding block, load limiter	T216	Square key, 5/16 x 1-5/16 in.
T193	Pin, sliding block	T217	Oil seal, idler shaft
T194	Plain washer, 3/8 in.	T218	Flanged bearing
T195	Cotter pin, 1/8 x 5/8 in. (used prior to 04/18/97)	T219	Load limiter assembly

# W A T E R O U S

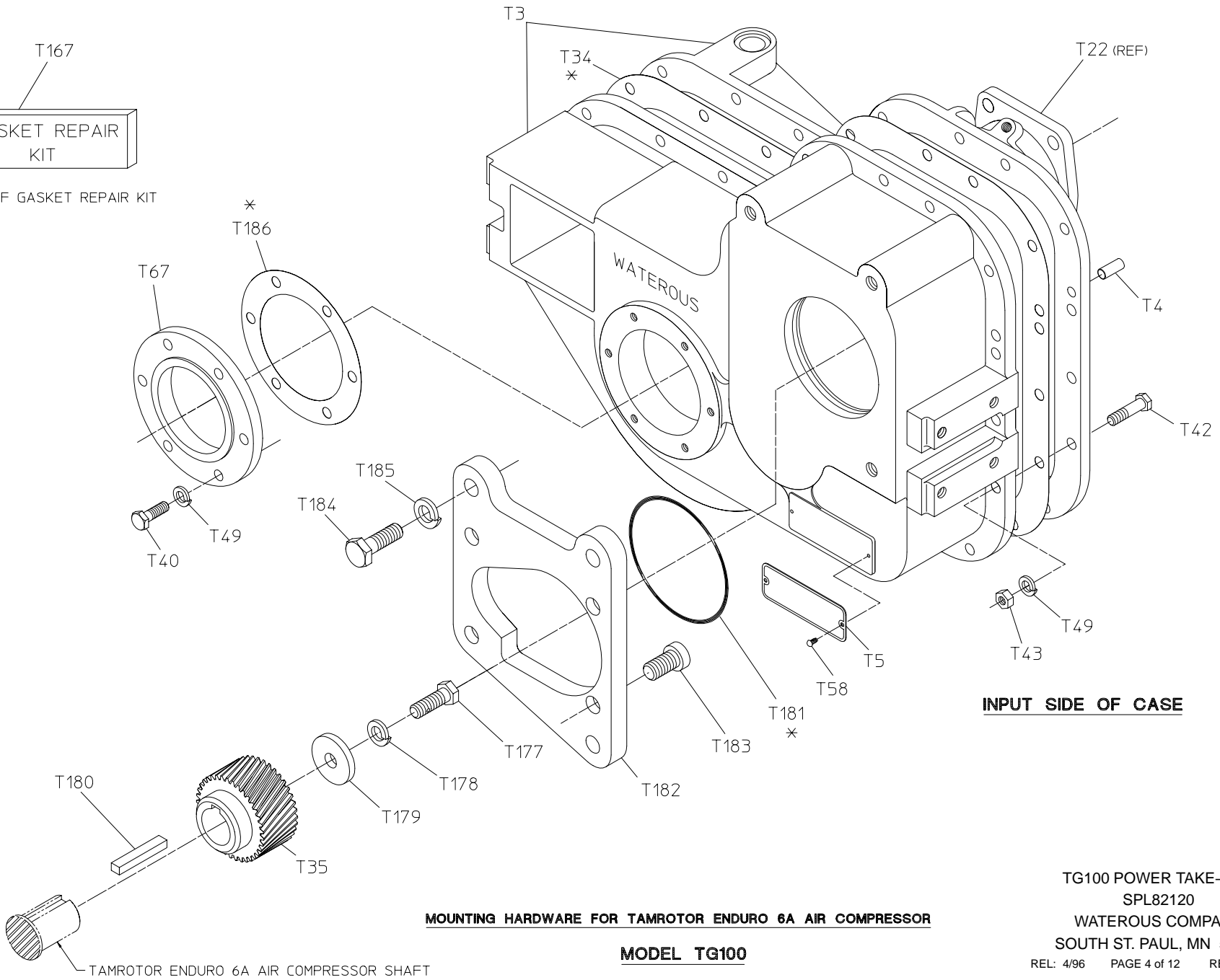
WATEROUS COMPANY  
SOUTH ST. PAUL, MINNESOTA

## TG100 POWER TAKE-OFF ASSEMBLY

REF NO.	DESCRIPTION	REF NO.	DESCRIPTION
T221	Shim, washer (brass), .78 x 1-1/16 x .090		
T222	Retainer ring		
T223	Hair pin cotter		
T224	Hex hd screw, 1/4-20 x 2, Grade 5		
T225	Hex hd screw, 1/4-20 x 1-3/4, Grade 5		
T226	Nylok hex nut, 1/4-10		
T227	Shim, washer (brass), .78 x 1-1/16 x .070		
T228	Lock washer, 8mm or 10mm		
T229	O-ring, 5-1/2 x 5-3/4 or 4-1/4 x 4-3/8		
T230	Socket hd screw, M8-1.25 x 90mm		
T231	Wire assembly, white, 4-1/2 in.		
T232	Square key, 3/8 x 1-5/8 in.		
T233	Wire assembly		
T234	Replacement light bulb		



\*PART OF GASKET REPAIR KIT

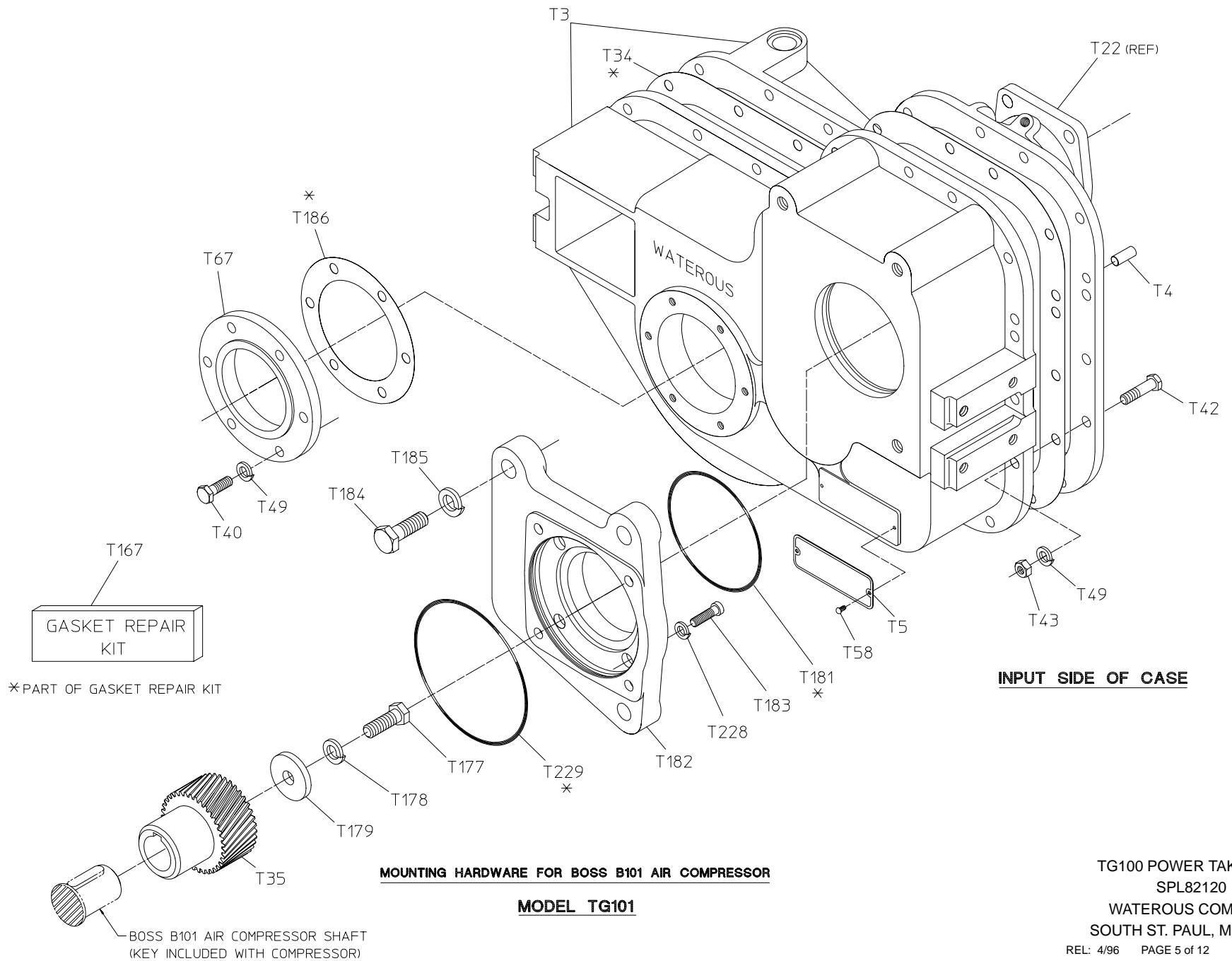


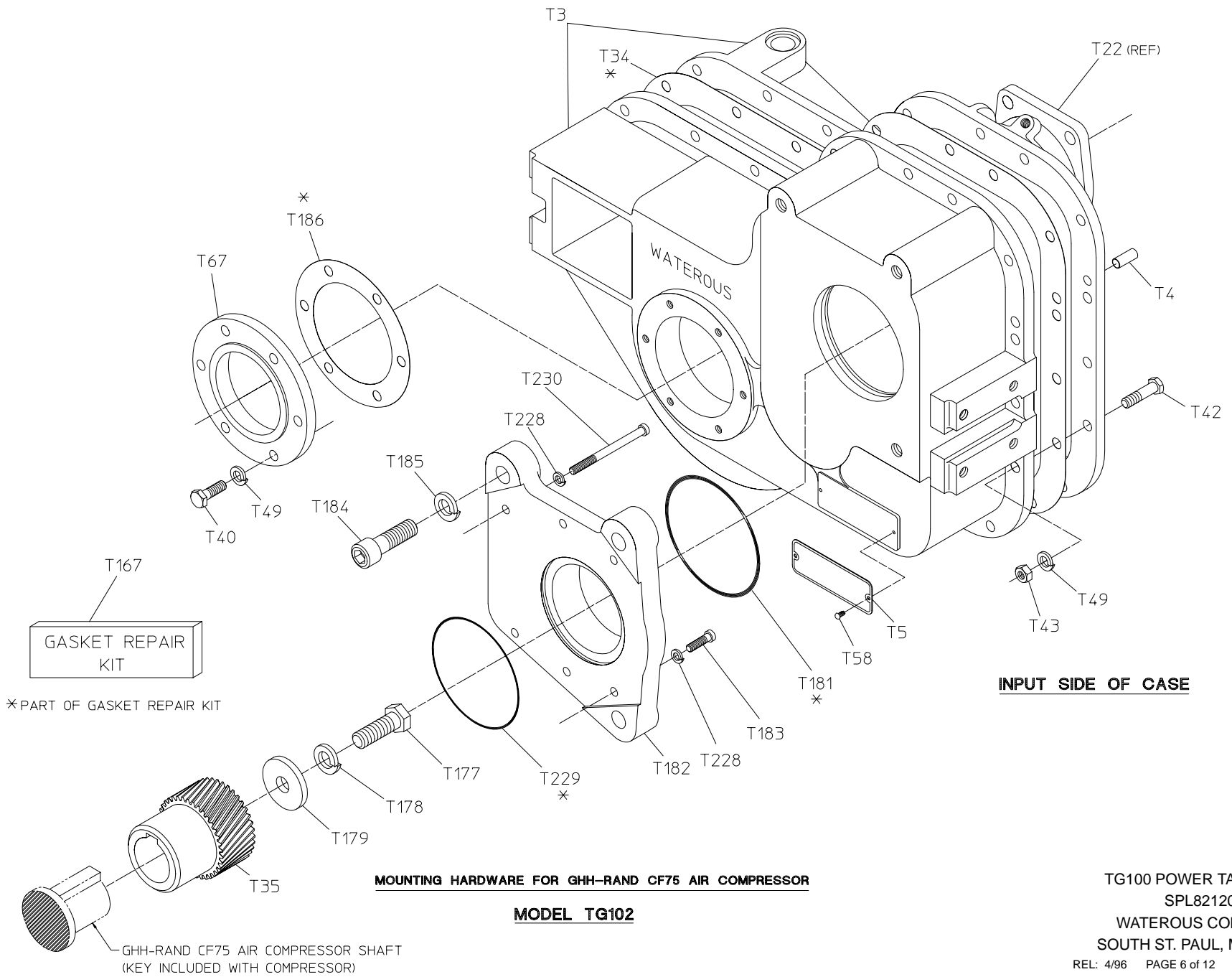
**MOUNTING HARDWARE FOR TAMROTOR ENDURO 6A AIR COMPRESSOR**

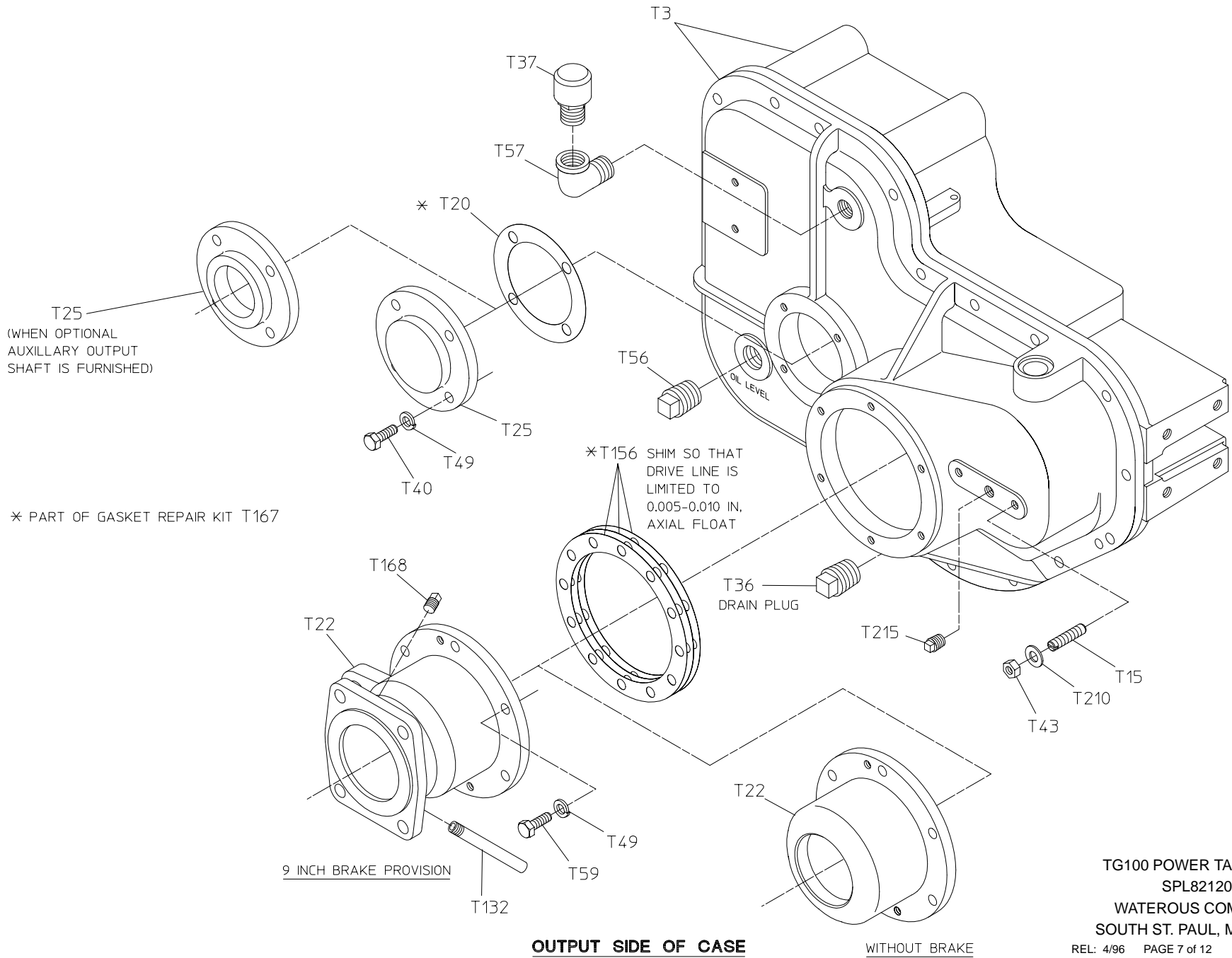
**MODEL TG100**

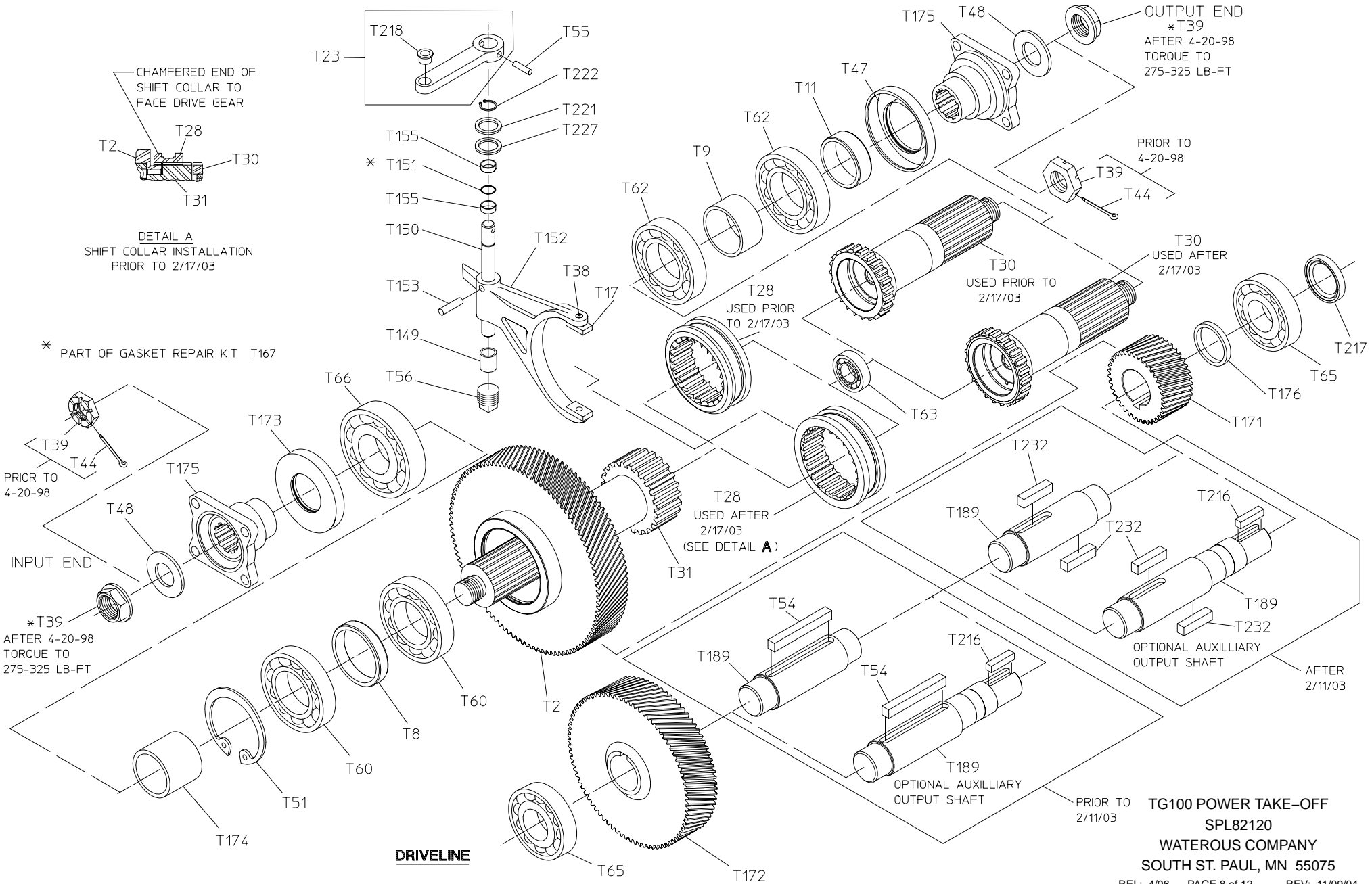
TG100 POWER TAKE-OFF  
 SPL82120  
 WATEROUS COMPANY  
 SOUTH ST. PAUL, MN 55075

REL: 4/96 PAGE 4 of 12 REV: 11/09/04

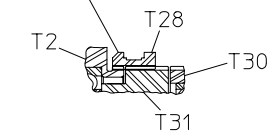






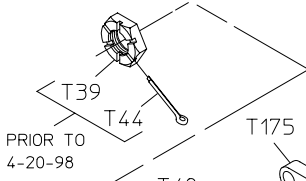


CHAMFERED END OF  
SHIFT COLLAR TO  
FACE DRIVE GEAR



DETAIL A  
SHIFT COLLAR INSTALLATION  
PRIOR TO 2/17/03

\* PART OF GASKET REPAIR KIT T167



PRIOR TO  
4-20-98

INPUT END

\*T39  
AFTER 4-20-98  
TORQUE TO  
275-325 LB-FT

**DRIVELINE**

OUTPUT END  
\*T39  
AFTER 4-20-98  
TORQUE TO  
275-325 LB-FT

PRIOR TO  
4-20-98

T30  
USED AFTER  
2/17/03

T30  
USED PRIOR TO  
2/17/03

T28  
USED AFTER  
2/17/03  
(SEE DETAIL A)

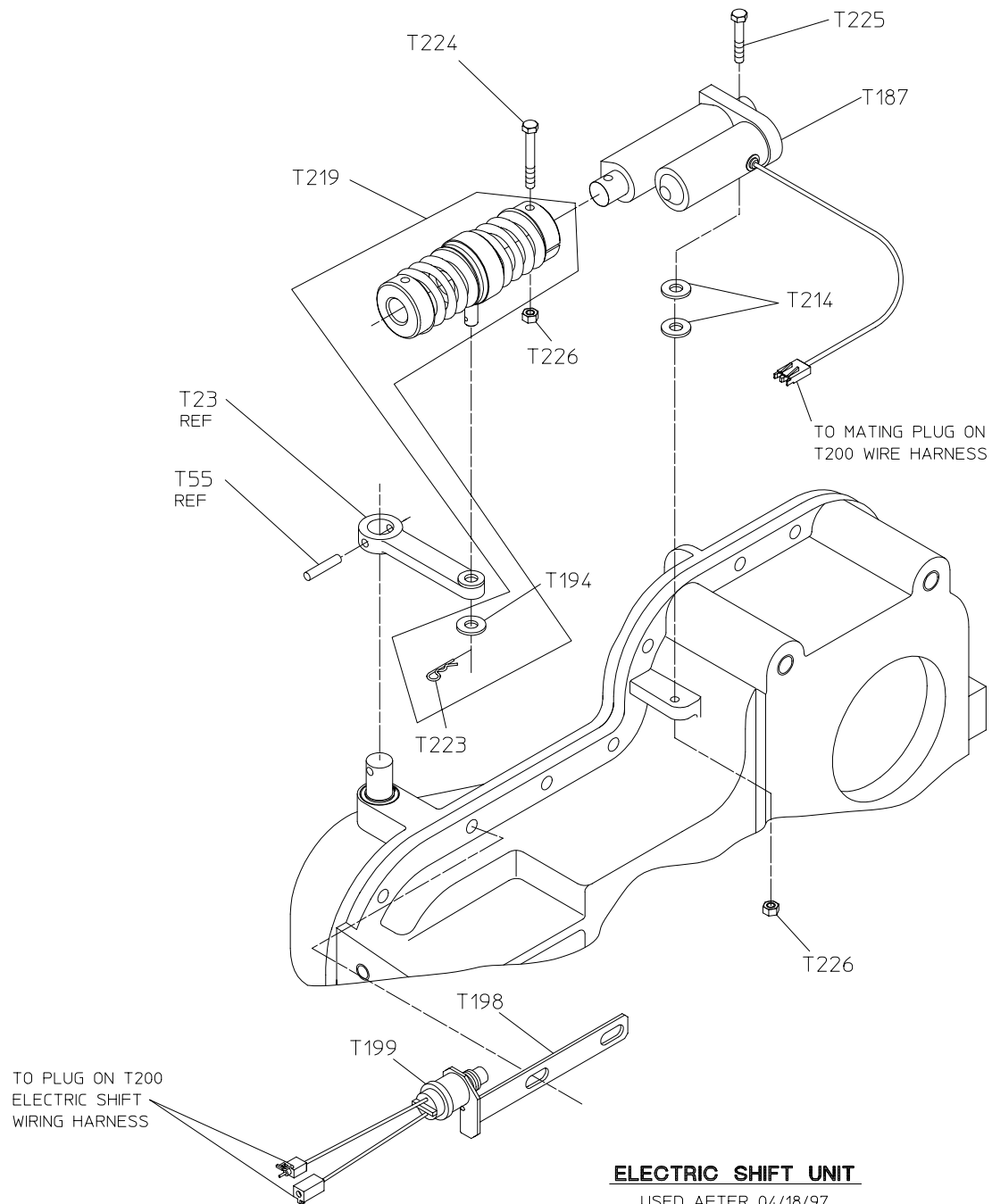
OPTIONAL AUXILLIARY  
OUTPUT SHAFT

AFTER  
2/11/03

PRIOR TO  
2/11/03

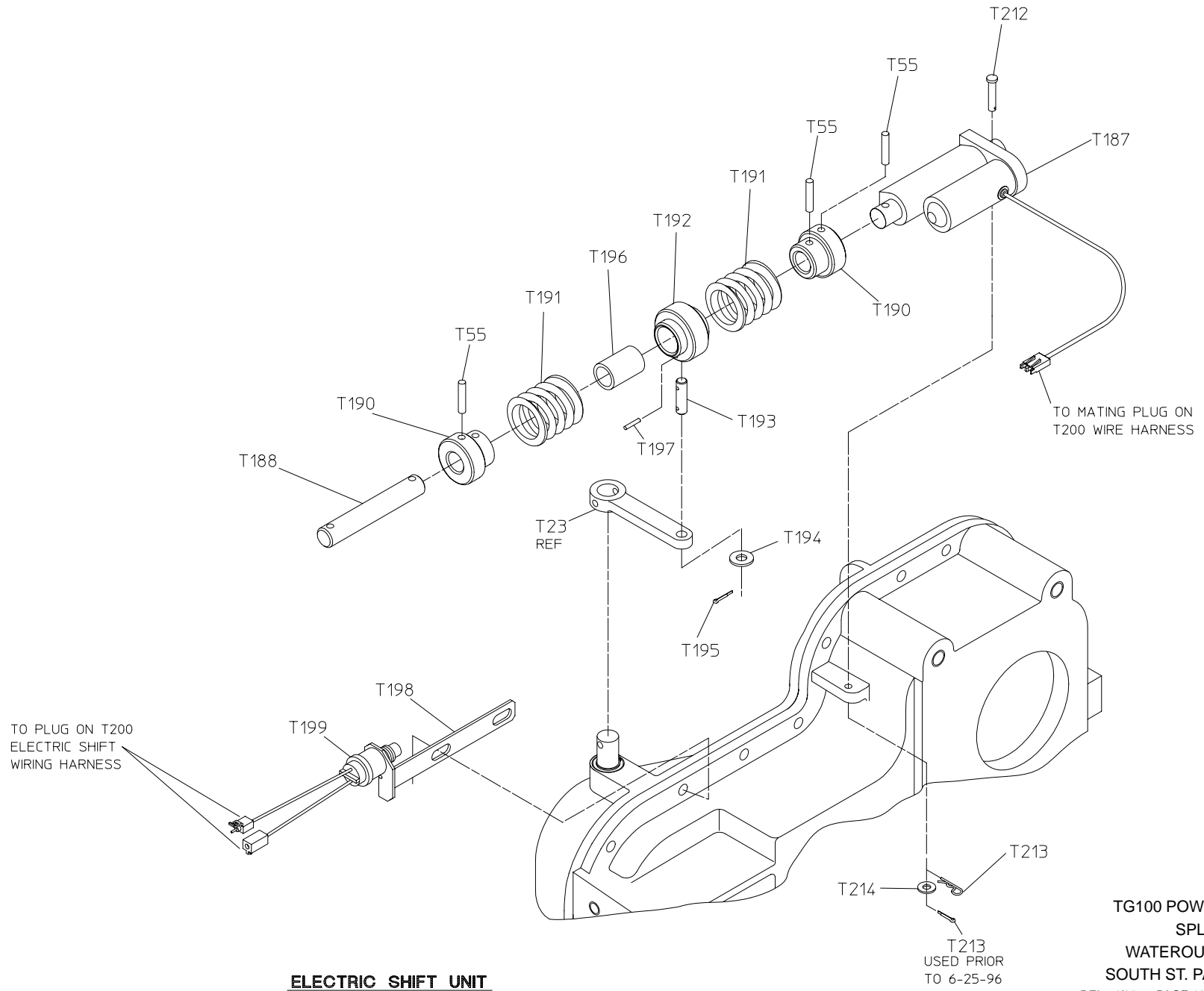
**TG100 POWER TAKE-OFF  
SPL82120  
WATEROUS COMPANY  
SOUTH ST. PAUL, MN 55075**



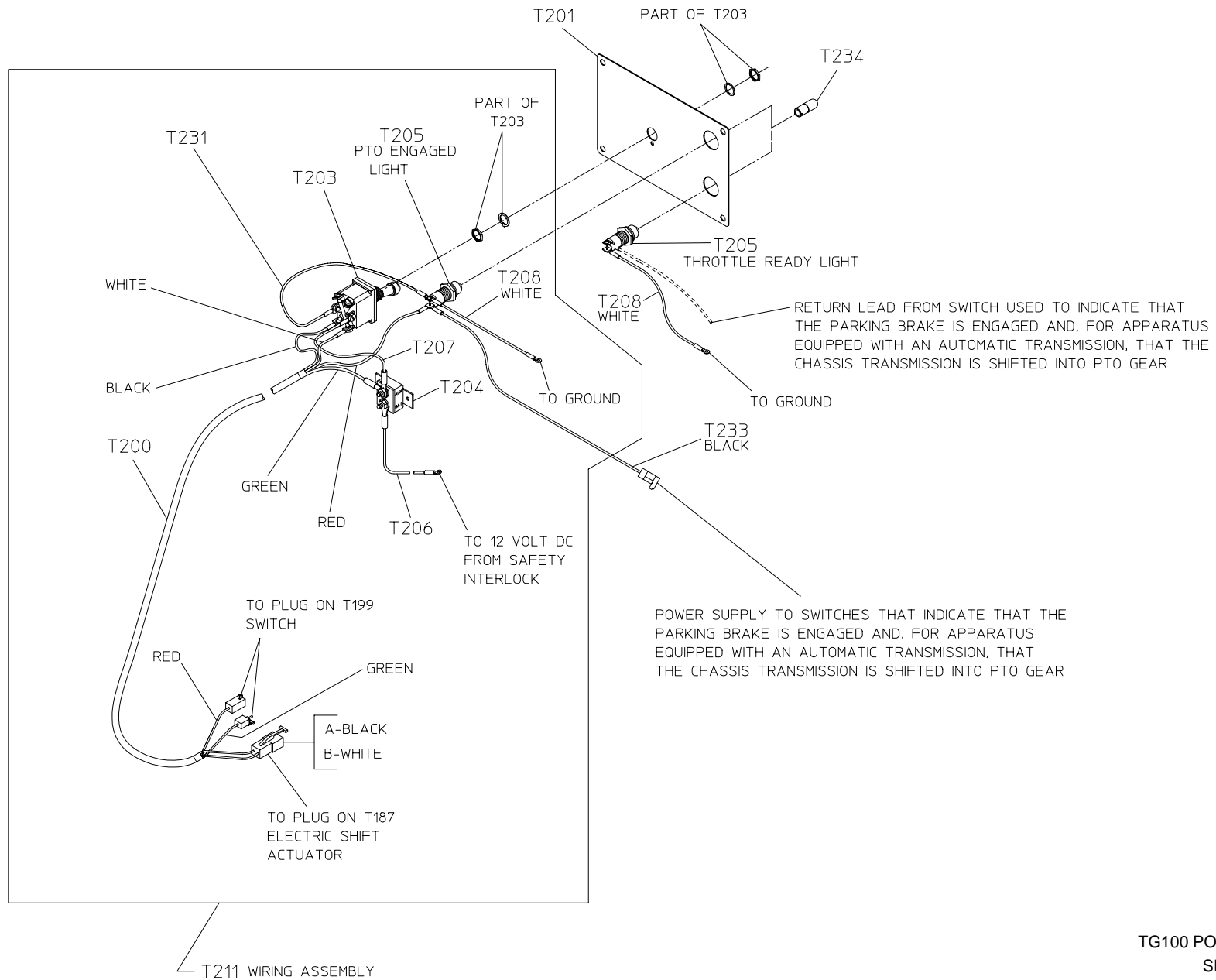


**ELECTRIC SHIFT UNIT**  
 USED AFTER 04/18/97

TG100 POWER TAKE-OFF  
 SPL82120  
 WATEROUS COMPANY  
 SOUTH ST. PAUL, MN 55075  
 REL: 4/96 PAGE 9 of 12 REV: 11/09/04



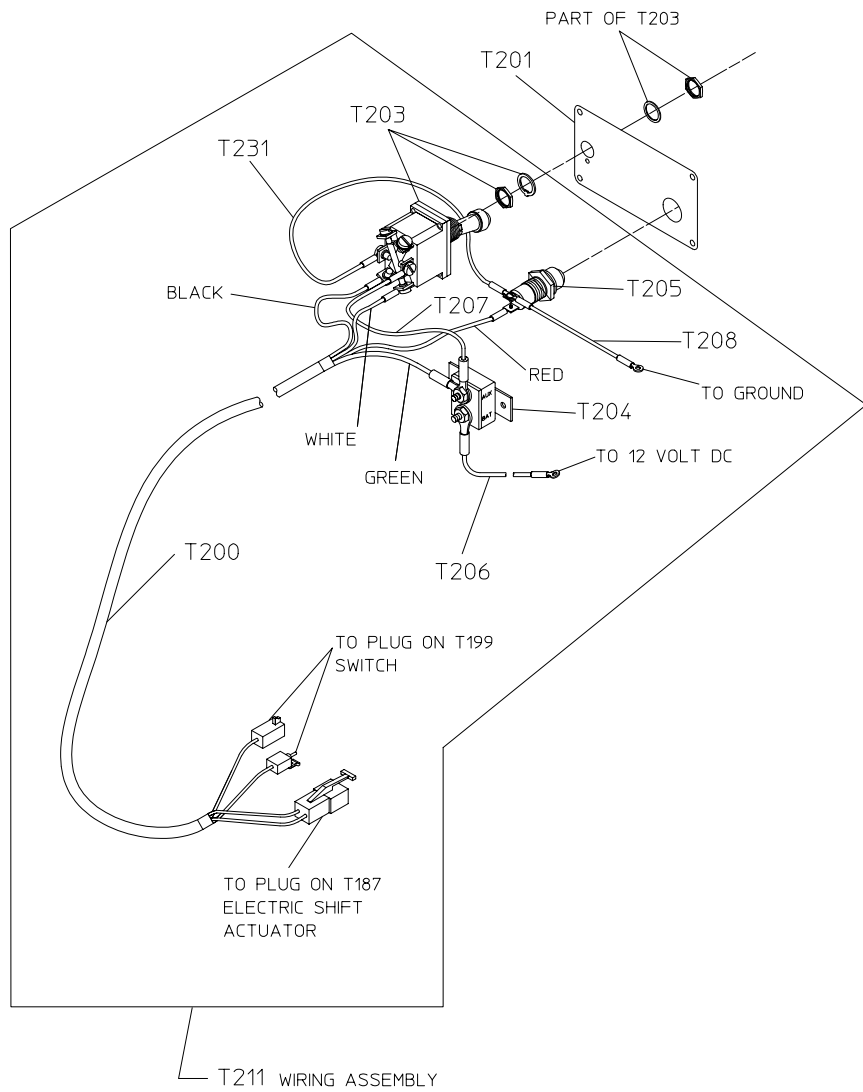
**ELECTRIC SHIFT UNIT**  
USED PRIOR TO 04/18/97



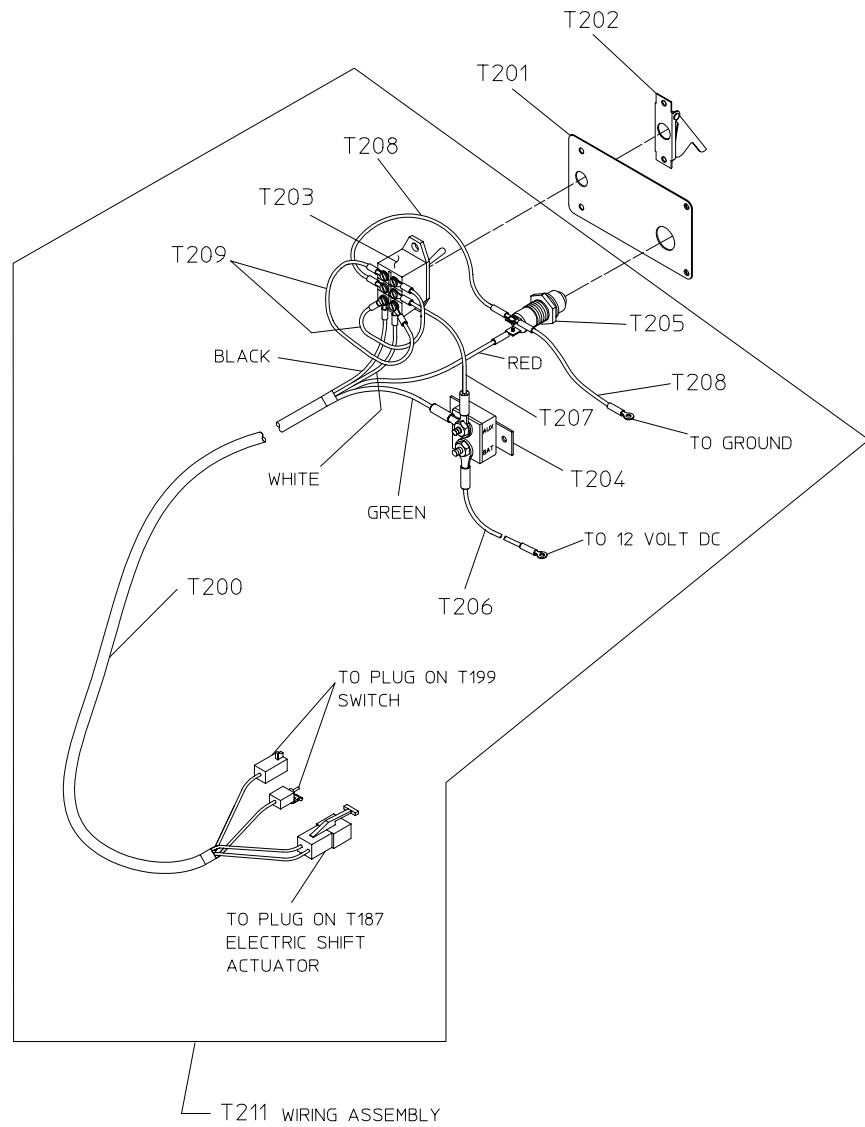
USED AFTER 6/20/03

**CONTROL PANEL ASS'Y**

TG100 POWER TAKE-OFF  
 SPL82120  
 WATEROUS COMPANY  
 SOUTH ST. PAUL, MN 55075  
 REL: 4/96 PAGE 11 of 12 REV: 11/09/04



USED FROM 07/01/97 TO 6/20/03



USED PRIOR TO 07/01/97

**CONTROL PANEL ASS'Y**

TG100 POWER TAKE-OFF  
 SPL82120  
 WATEROUS COMPANY  
 SOUTH ST. PAUL, MN 55075  
 REL: 4/96 PAGE 12 of 12 REV: 11/09/04