

Issued: 02/14/97

Revised: 08/24/04

W A T E R O U S

WATEROUS COMPANY

SOUTH ST. PAUL, MINNESOTA

4" Relief Valve and Piping Assembly

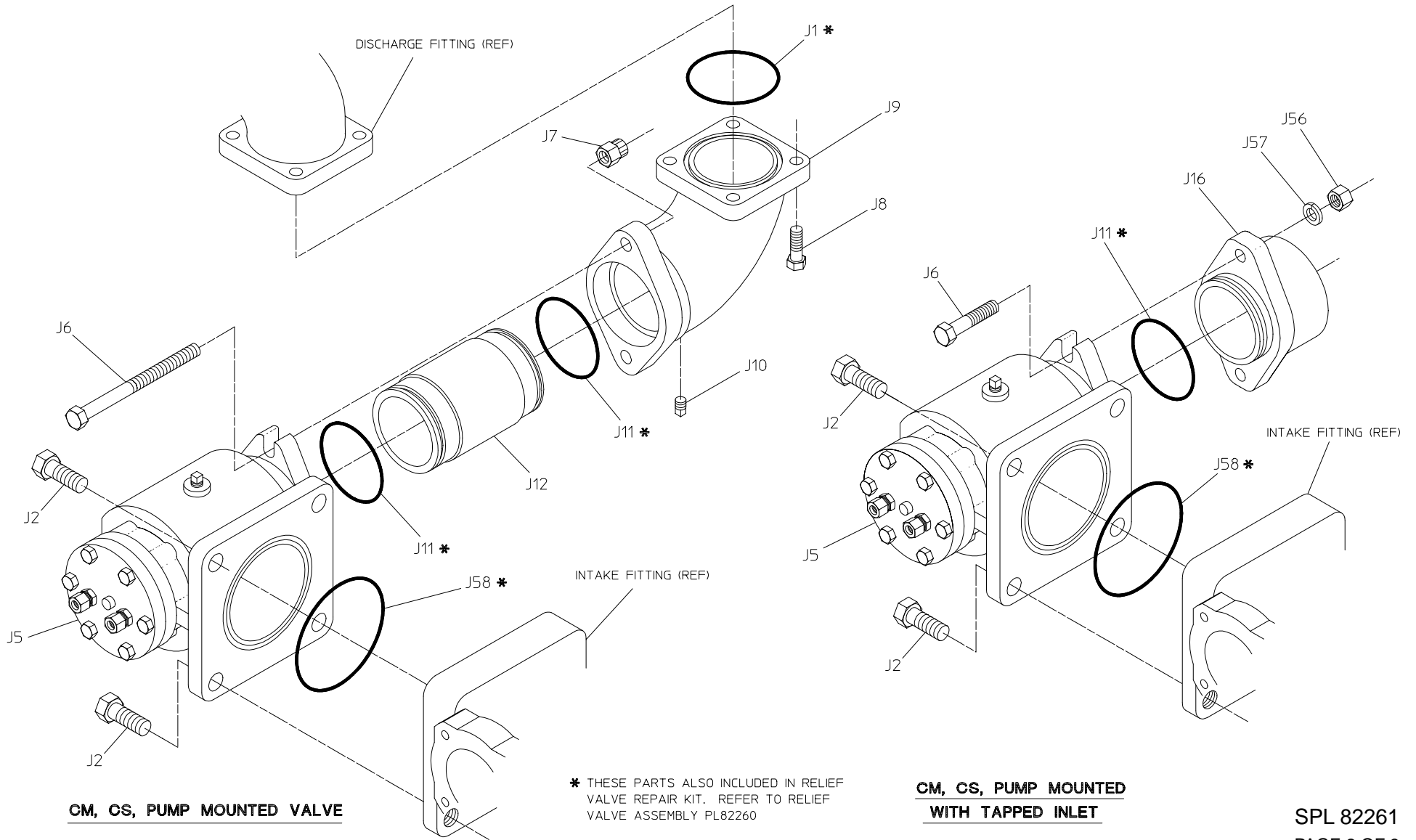
REF NO.	DESCRIPTION	REF NO.	DESCRIPTION
J1	O-ring, 3-3/8 x 3-5/8 in.	J16	Tapped flange
J2	Hex hd screw, 5/8-11 x 1-1/4 in.	J51	Inlet flange, tapped or Victaulic®
J5	Relief valve assembly	J52	Outlet flange, tapped or Victaulic®
J6	Hex hd screw, 1/2-20 x 2-1/2, 1/2-20 x 6 or 1/2-20 x 6-1/2 in.	J53	Hex hd screw, 5/8-18 x 2 in.
J7	Self-locking nut, 1/2-20	J54	Hex nut, 5/8-18
J8	Hex hd screw, 7/16-14 x 1-1/4 in.	J55	Lockwasher, 5/8 in.
J9	Relief valve elbow	J56	Hex nut, 1/2-20
J10	Pipe plug, 1/4 in.	J57	Lock washer, 1/2 in.
J11	O-ring, 3-1/4 x 3-1/2 in.	J58	O-ring, 4-1/2 x 4-3/4 in.
J12	Connecting pipe		

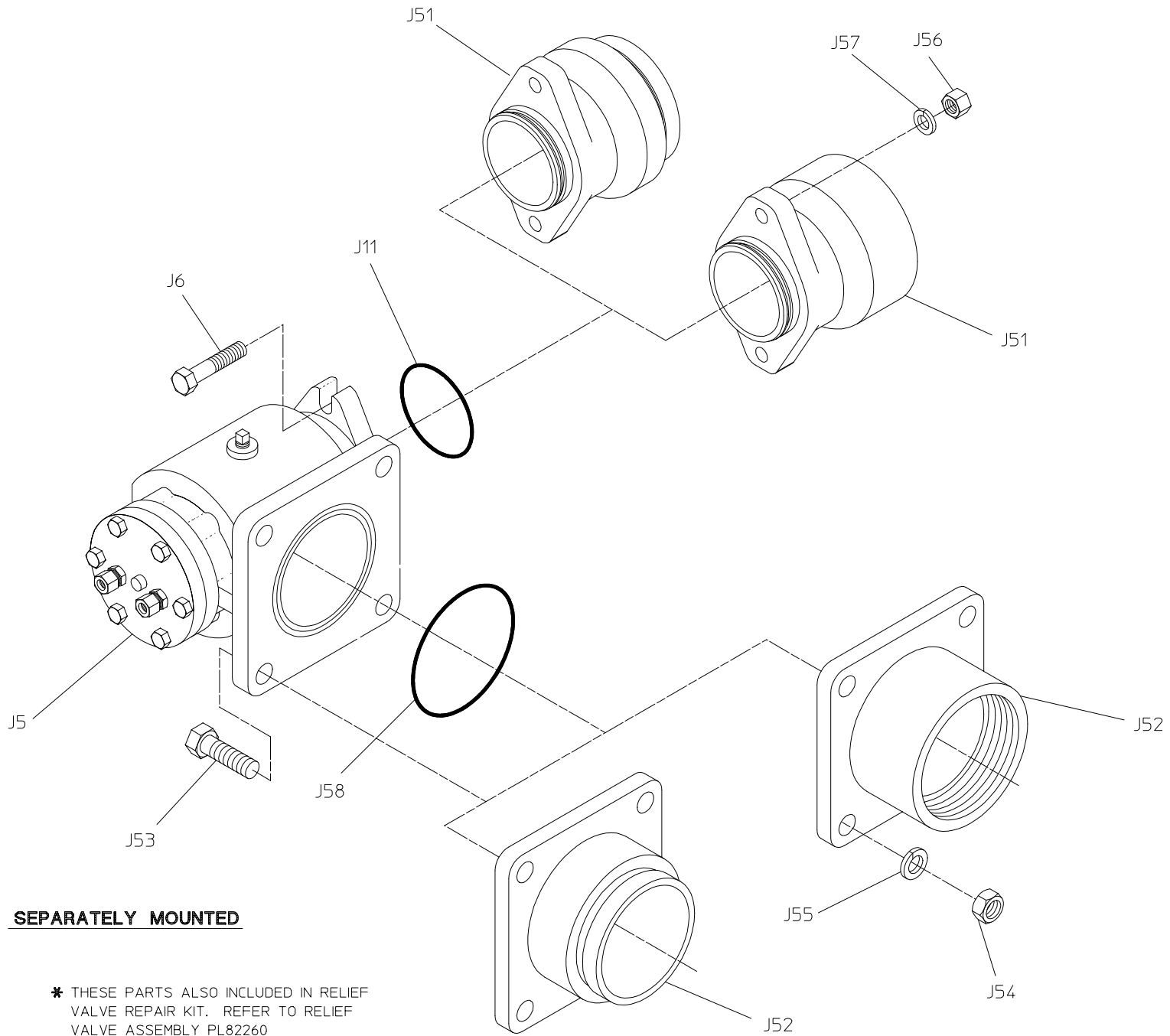
PLEASE NOTE

WHEN ORDERING PARTS PLEASE SUPPLY PUMP SERIAL NUMBER

SPL82261

PAGE 1 OF 3





SEPARATELY MOUNTED

* THESE PARTS ALSO INCLUDED IN RELIEF VALVE REPAIR KIT. REFER TO RELIEF VALVE ASSEMBLY PL82260