



Document Number	Issue Date	Rev. Date
<b>SPL82620</b>	<b>03/25/08</b>	<b>5/16/17</b>

## Manual Discharge Valve with Rotary Actuator, 3-1/2 in. Standard Service Parts List

Index:

<b>Components</b>	<b>See Page</b>
3-1/2 in. Standard Ball Valve	2, 3
Rotary Actuator	4, 5
Cables and Panel Components	6, 7
Available Repair Subassemblies	8, 9

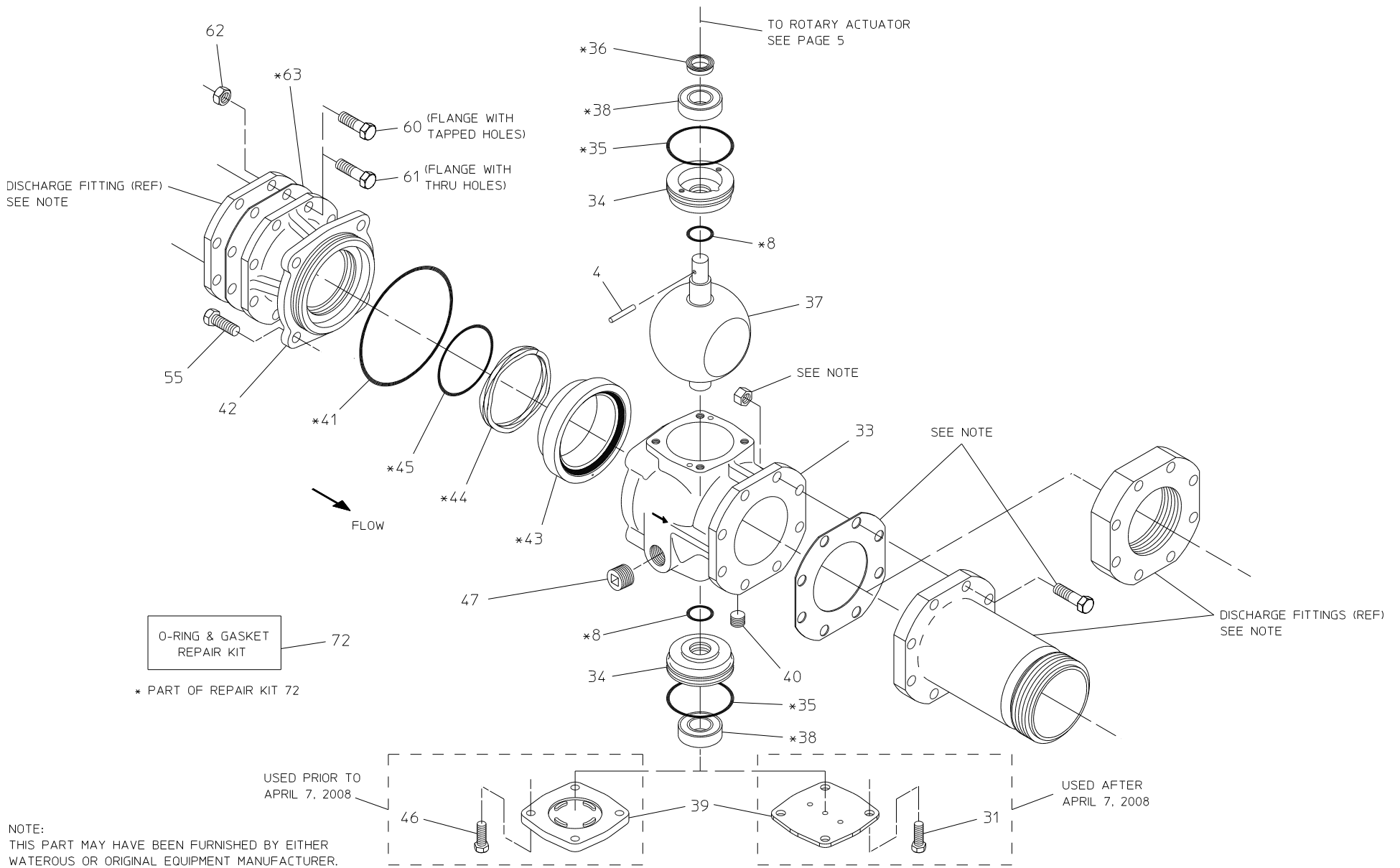
## 3-1/2 in. Standard Ball Valve

REF. NO.	DESCRIPTION
4	Spring Pin, 3/16 in.
8	O-ring, 1 x 1-1/4 in.
31	Hex Hd Screw, 3/8-16 x 5/8 in.
33	Valve Body
34	Bearing Retainer
35	O-ring, 2-7/8 x 3-1/8 in.
36	Stem Seal
37	Ball Valve
38	Bearing
39	Valve Cover
40	Pipe Plug, 1/4 in.
41	O-ring, 4-3/4 x 5 in.

REF. NO.	DESCRIPTION
42	Retainer Seal
43	Valve Seal
44	Wave Spring
45	O-ring, 3-3/8 x 3-5/8 in.
46	Hex Head Screw, 3/8-16 x 7/8 in.
47	Pipe Plug, 3/4 in.
55	Hex Head Screw, 1/2-13 x 1-1/4 in.
60	Hex Head Screw, 1/2-13 x 1-1/4 in. (See Note 1)
61	Hex Head Screw, 1/2-20 x 1-3/4 in.
62	Hex Nut, 1/2-20 (Used Only With 61)
63	Gasket
72	O-ring and Gasket Repair Kit (Includes 8, 13, 35, 36, 38, 41, 43, 44, 45, 48, 63)

**Notes:**

1. Ref. no. 60, hex head screw 1/2-13 x 1-1/4 in. used instead of ref. no. 61, hex head screw 1/2-20 x 1-3/4 in. when discharge flange has tapped mounting holes.

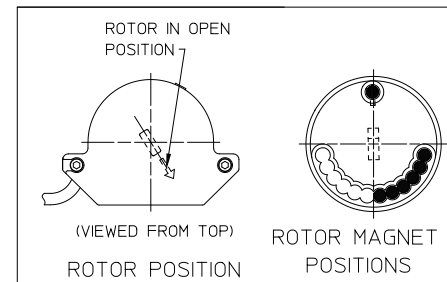
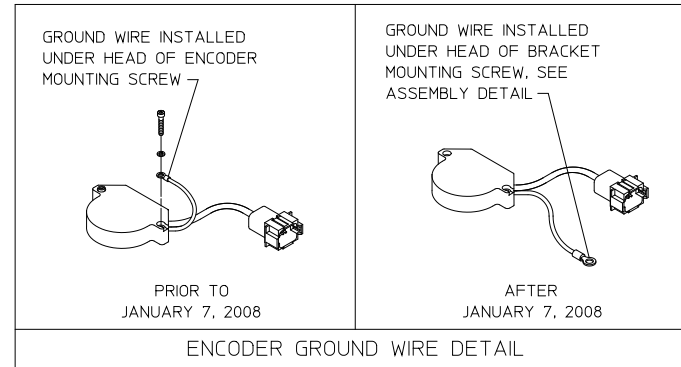
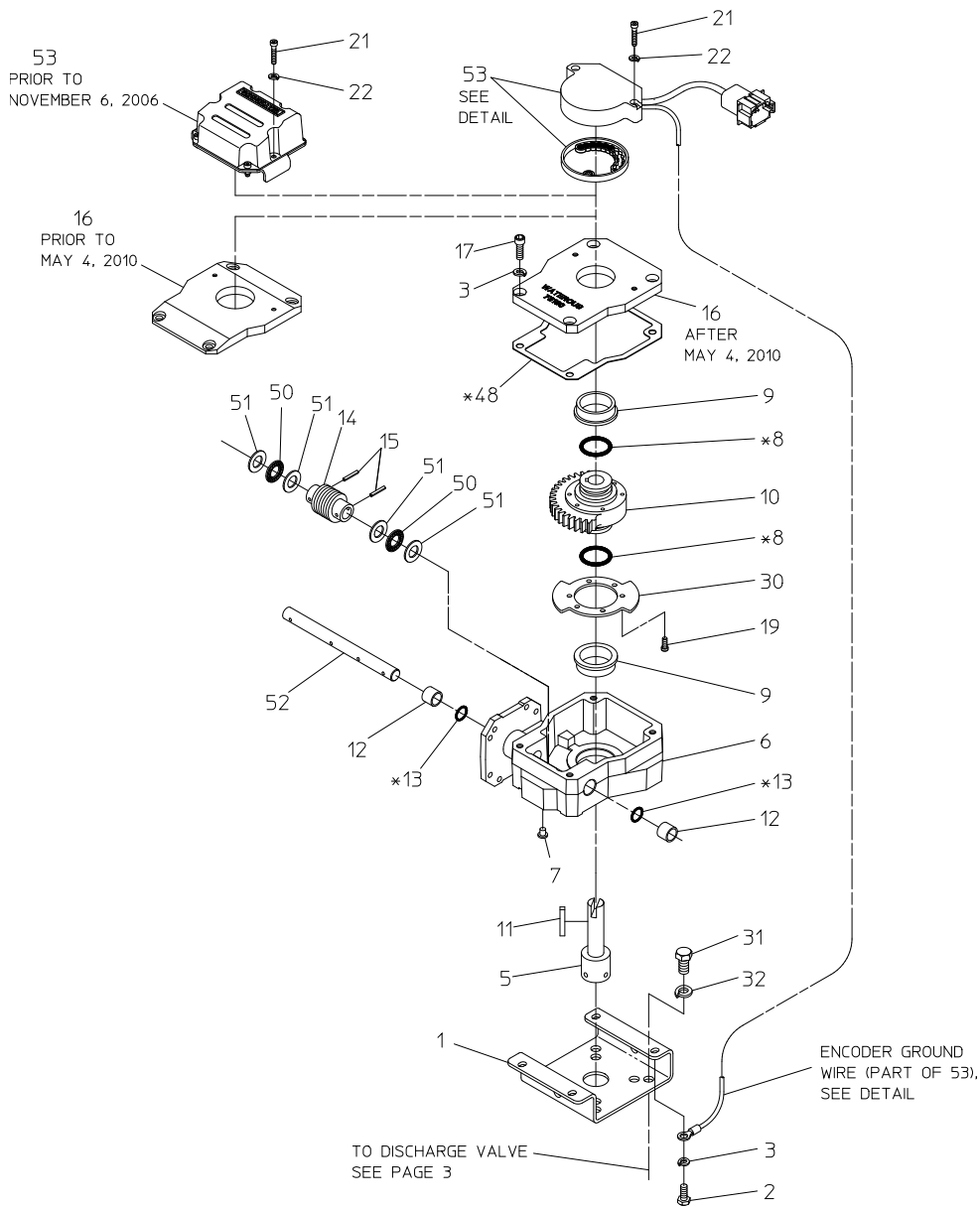


**3-1/2 IN. STANDARD BALL VALVE**

## Rotary Actuator

REF. NO.	DESCRIPTION
1	Mounting Bracket
2	Hex Head Screw, 1/4-20 x 5/8 in.
3	Lock Washer, 1/4 in.
5	Extension Shaft
6	Worm Gear Housing Assembly (Includes Flanged Bearing 9, Sleeve Bearing 12 and O-ring 13)
7	Rubber Plug
8	O-ring, 1 x 1-1/4 in.
9	Flanged Bearing, 1-1/4 x 1-1/2 in.
10	Sector, Worm Gear
11	Key, 3/16 x 1-1/4 in.
12	Sleeve Bearing, 1/2 x 5/8 in.
13	O-ring, 1/2 x 5/8 in.
14	Worm Gear
15	Spirol Pin, 1/8 x 3/4

REF. NO.	DESCRIPTION
16	Housing Cover Assembly (Includes Flanged Bearing 9)
17	Socket Head Screw, 1/4-20 x 5/8 in.
19	Socket Head Screw, 8-32 x 1/2 in.
21	Socket Head Screw, 8-32 x 7/8 in.
22	Lock Washer, #8
30	Limit Disc
31	Hex Head Screw, 3/8-16 x 5/8 in.
32	Lock Washer, 3/8 in.
48	Actuator Gasket
50	Needle Bearing, 1/2 x 3/4 in.
51	Thrust Washer, 1/2 x 3/4 in.
52	Gear Case Shaft
53	Rotary Switch Assembly (Prior to November 6, 2006) Rotary Encoder (After November 6, 2006)
72	O-ring and Gasket Repair Kit (Includes 8, 13 and 48)



O-RING & GASKET  
REPAIR KIT 72

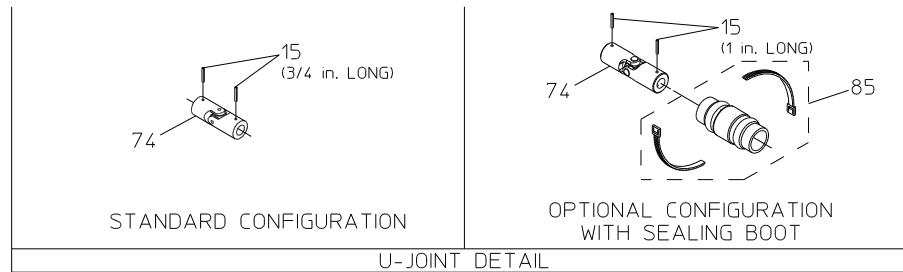
\* PART OF REPAIR KIT 72

**ROTARY ACTUATOR**

## Cables and Panel Components

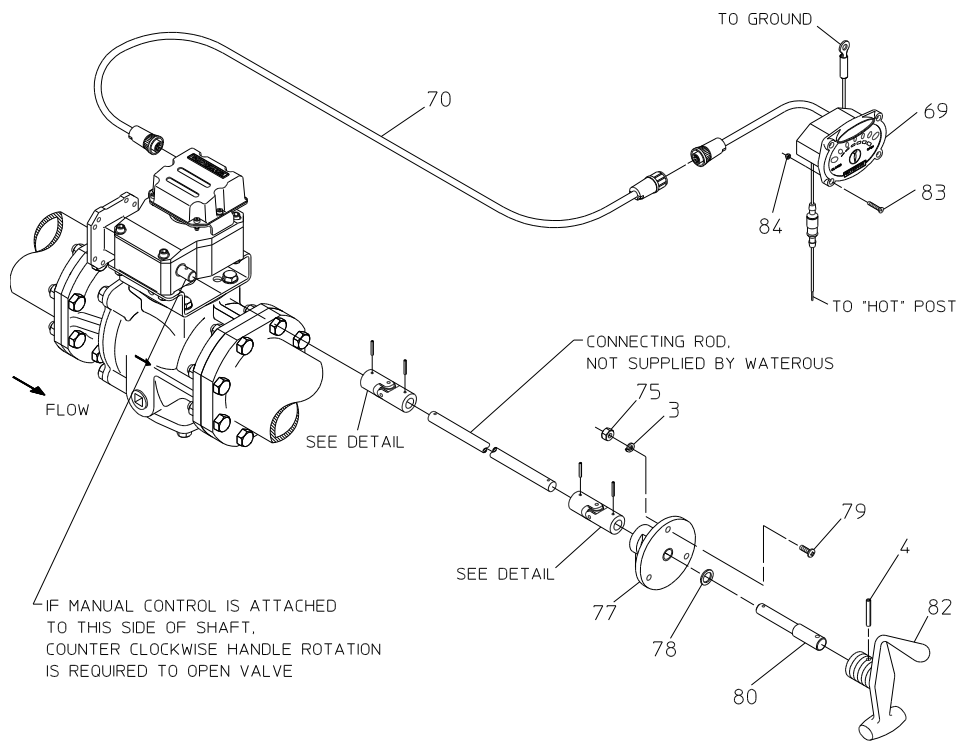
REF. NO.	DESCRIPTION
3	Lock Washer, 1/4 in.
4	Spring Pin, 3/16 in.
15	Spirol Pin, 1/8 x 3/4 in. or 1 in.
69	LED Panel Wiring Assembly
70	Switch Extension Wire Assembly
74	U-Joint
75	Hex Nut, 1/4-20
77	Remote Body

REF. NO.	DESCRIPTION
78	Thrust Bearing, 1/2 in.
79	Pan Head Screw, 1/4-20 x 1 in.
80	Remote Shaft
82	Discharge Valve Handle
83	Socket Head Screw, 6-32 x 3/4 in. (Prior to November 6, 2006) Control Panel Mounting Hardware (Includes (4) Socket Hd Screws, #6-32 x 3/4 and (4) Nylok Nuts, #6-32) (After November 6, 2006)
84	Nylok Nut, #6-32 (Prior to November 6, 2006)
85	U-Joint Boot (Includes Cable Ties)

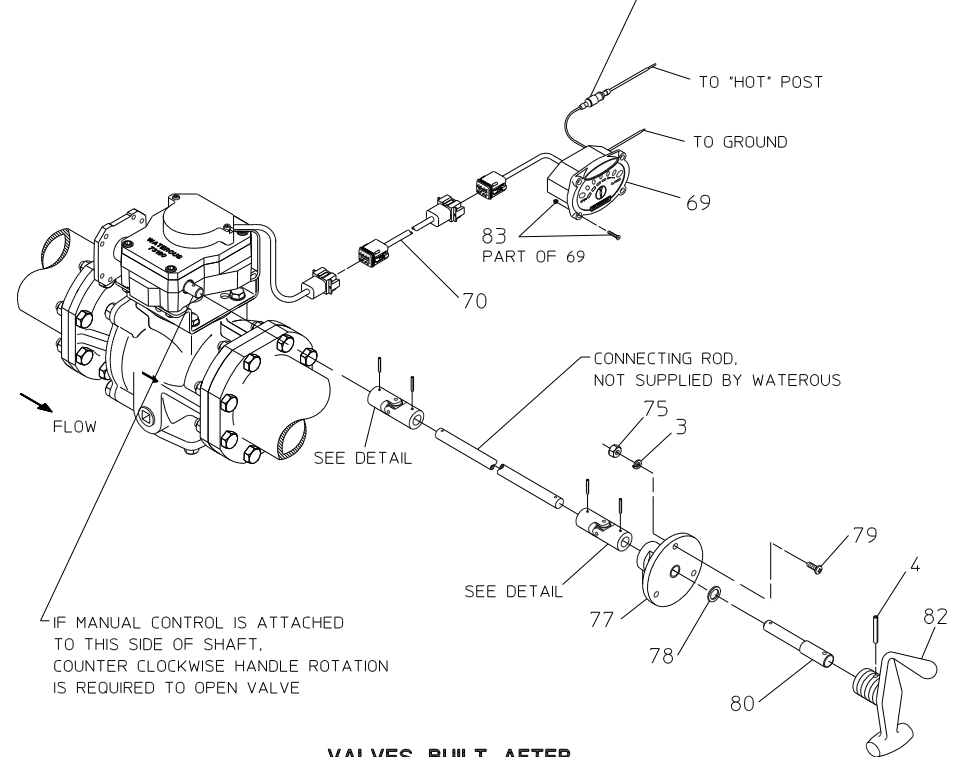


CONTROL PANEL POWER WIRE FURNISHED TWO WAYS:

- WITH 3 AMP IN-LINE FUSE
- WITHOUT 3 AMP IN-LINE FUSE (PANEL 69 HAS AN INTERNAL CIRCUIT BREAKER WHICH RE-SETS AUTOMATICALLY)



**VALVES BUILT PRIOR TO NOVEMBER 6, 2006**



**VALVES BUILT AFTER NOVEMBER 6, 2006**

**CABLES AND PANEL COMPONENTS**

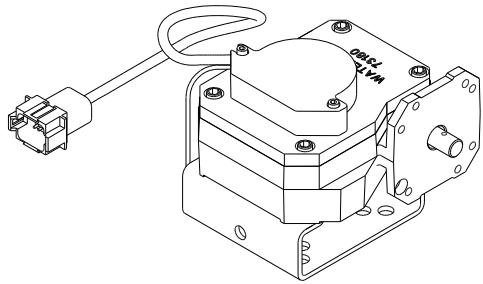
## Available Repair Subassemblies

REF. NO.	DESCRIPTION
86	Actuator Subassembly

REF. NO.	DESCRIPTION
87	Valve and Actuator Subassembly

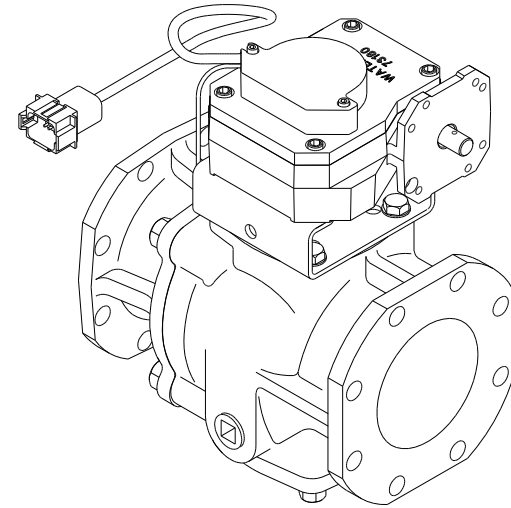


86



ACTUATOR SUBASSEMBLY

87



VALVE AND ACTUATOR SUBASSEMBLY

**AVAILABLE REPAIR SUBASSEMBLIES**