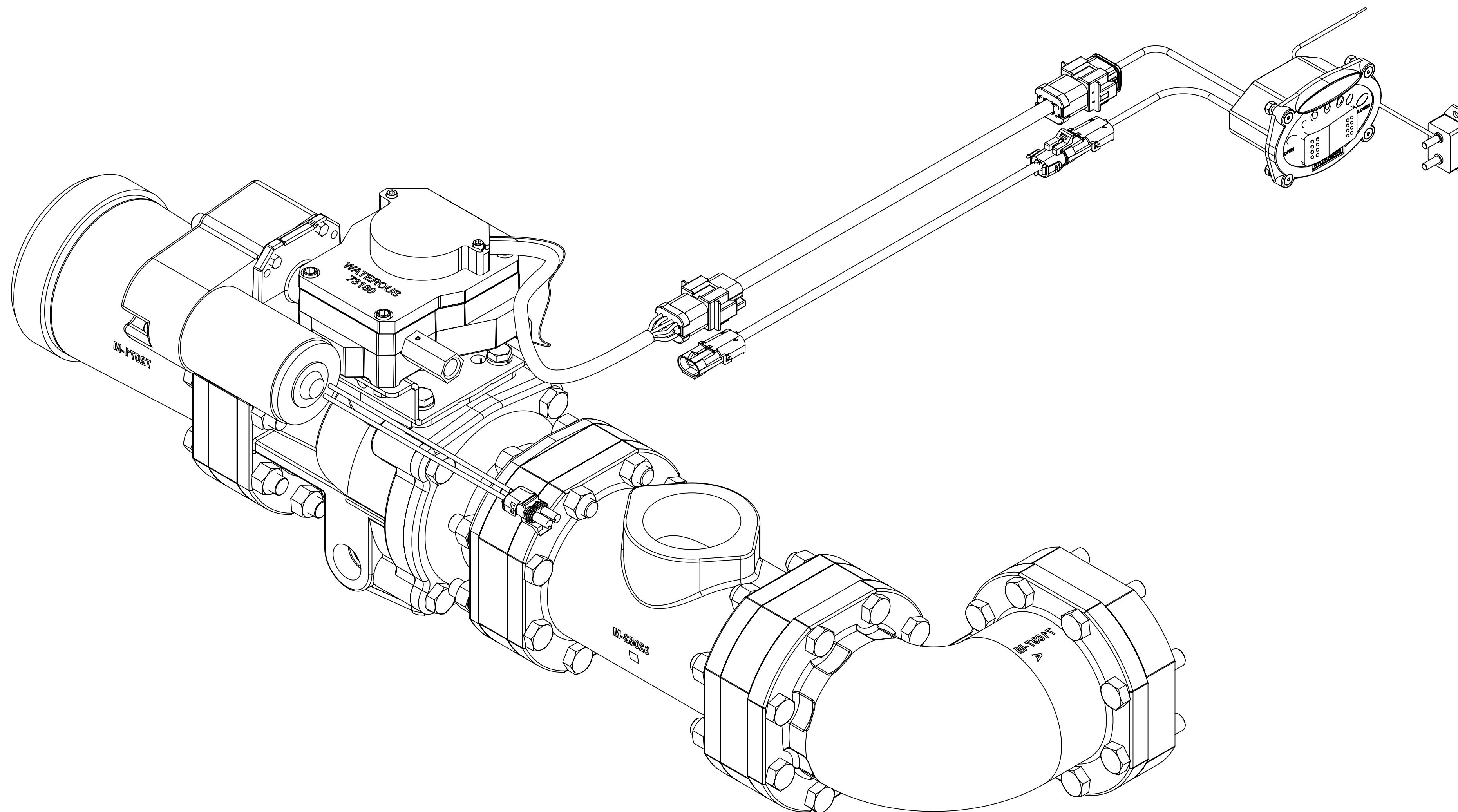


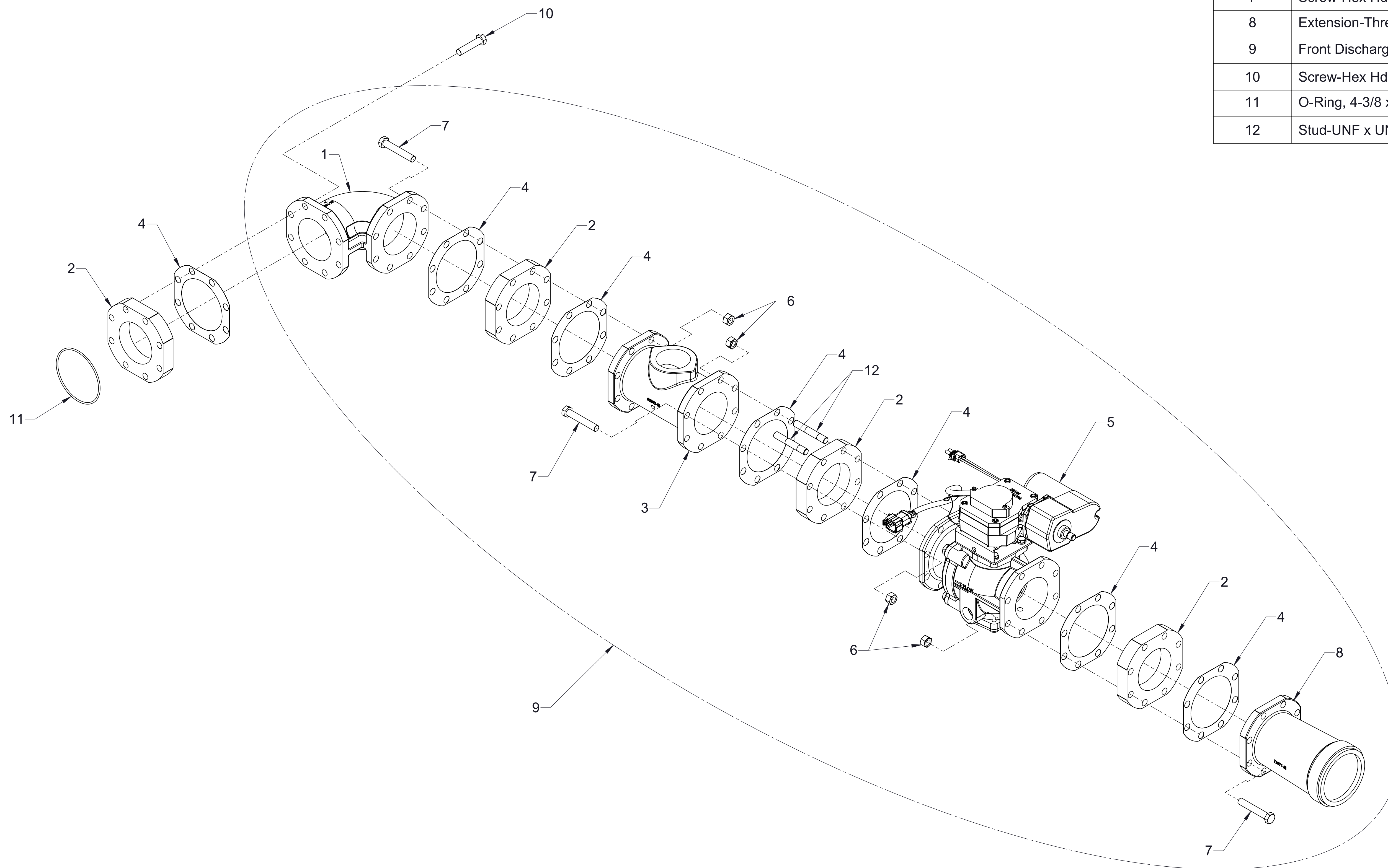
## Front Discharge Piping Assembly Service Parts List

For pump models: CM and CS

| Components                  | See Page |
|-----------------------------|----------|
| Front Discharge Piping      | 2        |
| Cables and Panel Components | 3        |



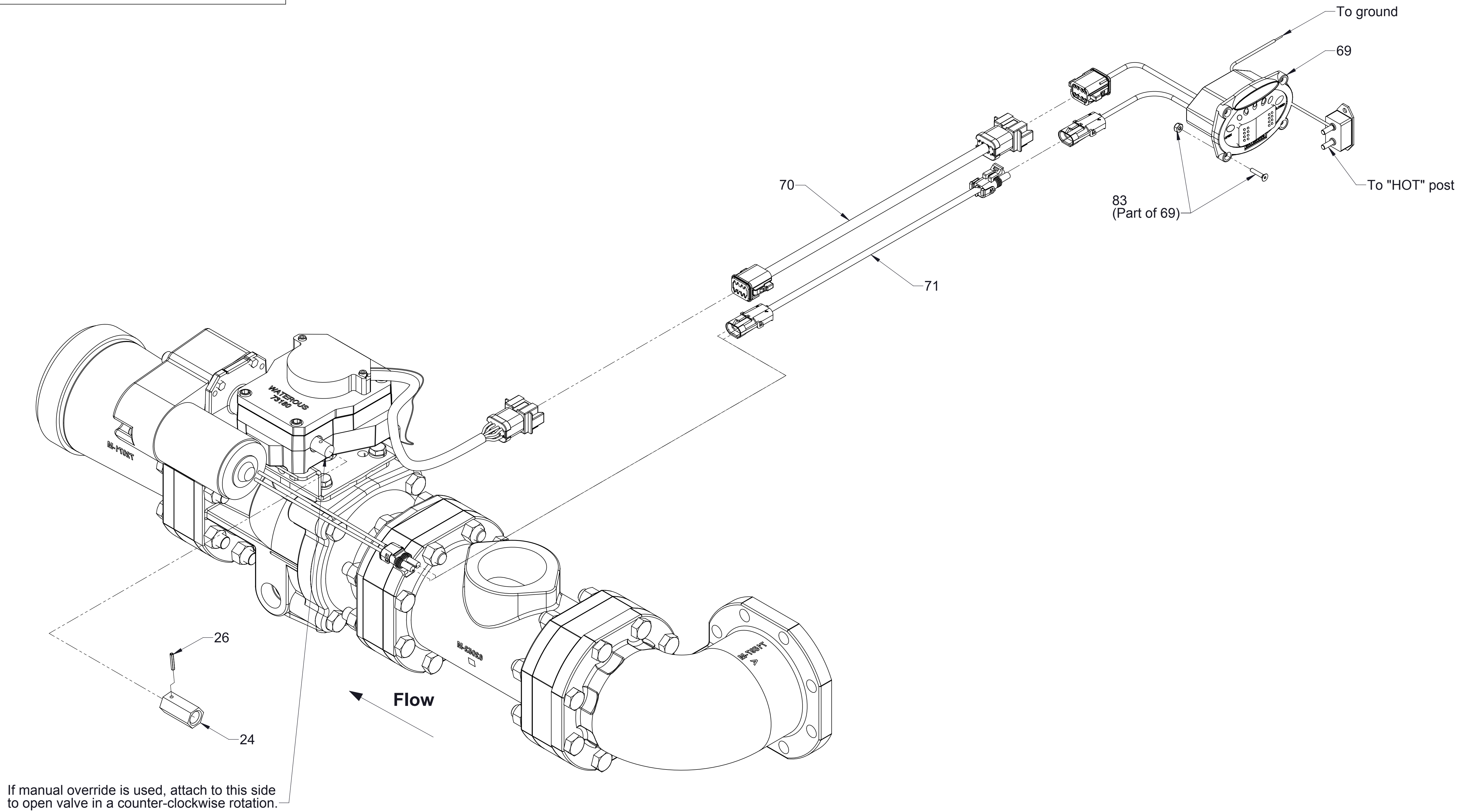
| Ref No. | Description                         |
|---------|-------------------------------------|
| 1       | Elbow-Flanged                       |
| 2       | Spacer                              |
| 3       | Extension-Discharge (CM/CS)         |
| 4       | Gasket-Flange, 3-1/2, 8-Bolt        |
| 5       | Discharge Valve Subassembly         |
| 6       | Nut-Hex, 1/2-20                     |
| 7       | Screw-Hex Hd, 1/2-20 x 3 in         |
| 8       | Extension-Threaded, Discharge, 4 in |
| 9       | Front Discharge Piping Subassembly  |
| 10      | Screw-Hex Hd, 1/2-13 x 2-1/4 in     |
| 11      | O-Ring, 4-3/8 x 4-5/8 in            |
| 12      | Stud-UNF x UNF, 1/2 x 3-1/4 in      |



Front Discharge Piping



| Ref No. | Description   |
|---------|---|
| 24      | Nut-Adapter   |
| 26      | Pin-Spirol, 1/8 x 3/4 in  |
| 69      | LED Panel Wiring assembly   |
| 70      | Cable-Extension, Encoder  |
| 71      | Wire-Motor Extension  |
| 83      | Control Panel Mounting Hardware (Includes (4) Socket Hd Screws, #6-32 x 3/4 and (4) Nylock Nuts, #6-32) |



**Cables and Panel Components**