



Transmission Oil Cooler Service Parts List

Document Number	Issue Date	Rev. Date
SPL82903	04/12/06	4/22/20

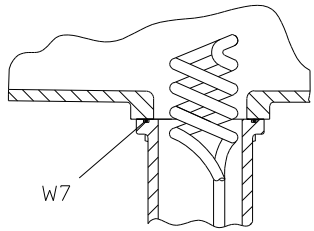
Index:

Transmission		See Pages		
Series	Model	Mounting on Transmission	Components of Oil Cooler Subassembly	Hose Schematic
C10	C10B C10C C10D C10E C10F	2, 3	10, 11	12,13
C20	C20B C20C C20D C20E C20F	4, 5 after April 8, 2020		
		6, 7 prior to April 8, 2020		
Y	YB, YBX YC, YCX YD, YDX YE, YEX YF, YFX	8, 9		

Mounting on C10 Series Transmission

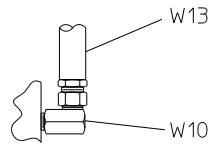
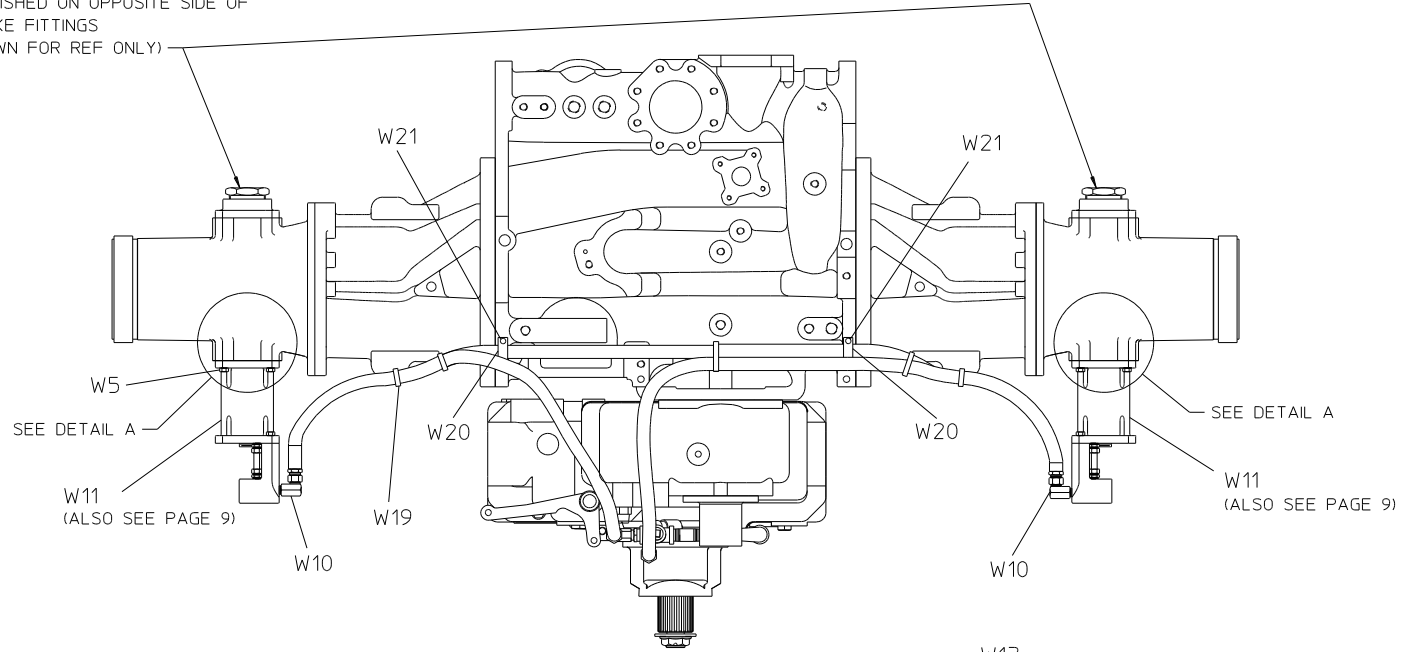
REF. NO.	DESCRIPTION
W5	Hex Hd Screw, 7/16-14 x 1 in.
W7	O-ring, 3-1/2 x 3-3/4 in.
W10	Adapter Union, 90° , 3/8 in.
W11	Oil Cooler Subassembly
W12	Hose Assembly, 48 in. Long, 3/8 NPT
W13	Hose Assembly, 53 in. Long, 3/8 NPT
W14	Hose Assembly, 66 in. Long, 3/8 NPT

REF. NO.	DESCRIPTION
W15	Bushing, 1/2 x 3/8 in.
W19	Cable Tie
W20	Conduit Clamp
W21	Hex Hd Screw, 1/4-20 x 1/2 in.
W22	Pipe Nipple, 1/2 in. NPT x 1-1/8 in.
W23	Pipe Tee, 1/2 in. NPT
W24	Pipe Plug, 1/2 in. NPT, Square Hd

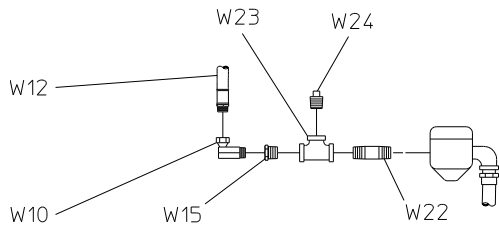


DETAIL A

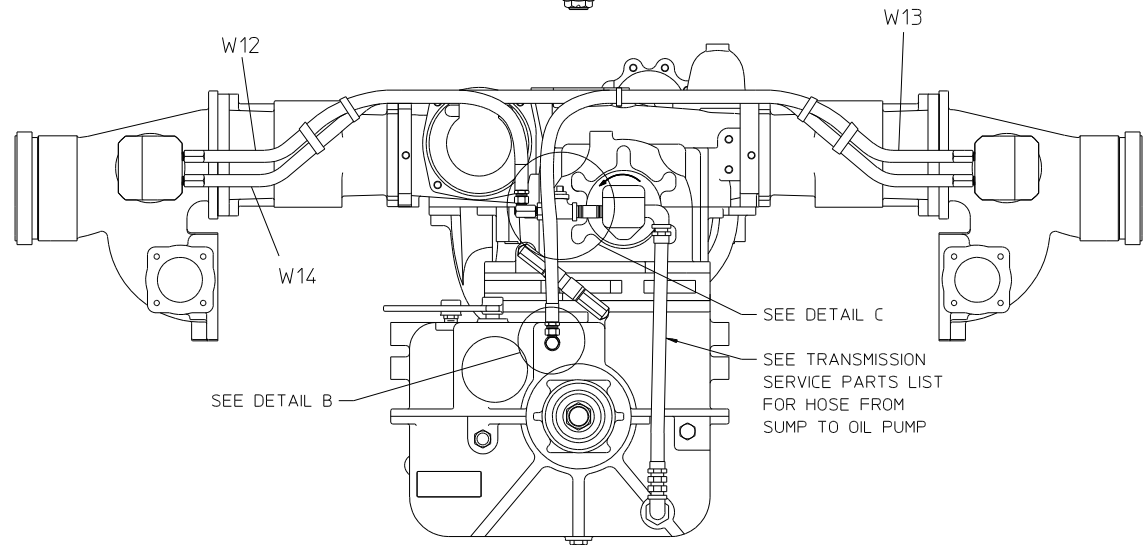
ZINC ANODE USUALLY
FURNISHED ON OPPOSITE SIDE OF
INTAKE FITTINGS
(SHOWN FOR REF ONLY)



DETAIL B



DETAIL C

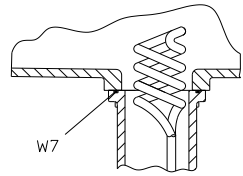


MOUNTING ON C10 SERIES TRANSMISSIONS

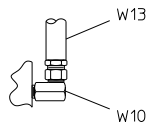
Mounting on C20 Series Transmission After April 8, 2020

REF. NO.	DESCRIPTION
W5	Hex Hd Screw, 7/16-14 x 1 in.
W7	O-ring, 3-1/2 x 3-3/4 in.
W10	Adapter Union, 90° , 3/8 in.
W11	Oil Cooler Subassembly
W12	Hose Assembly, 48 in. Long, 3/8 NPT
W13	Hose Assembly, 53 in. Long, 3/8 NPT
W14	Hose Assembly, 66 in. Long, 3/8 NPT

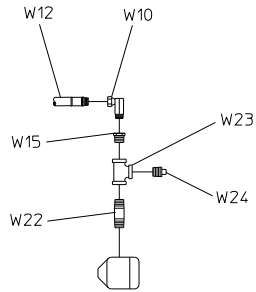
REF. NO.	DESCRIPTION
W15	Bushing, 1/2 x 3/8 in.
W19	Cable Tie
W20	Conduit Clamp
W21	Hex Hd Screw, 1/4-20 x 1/2 in.
W22	Pipe Nipple, 1/2 in. NPT x 1-1/8 in.
W23	Pipe Tee, 1/2 in. NPT
W24	Pipe Plug, 1/2 in. NPT, Square Hd



DETAIL A

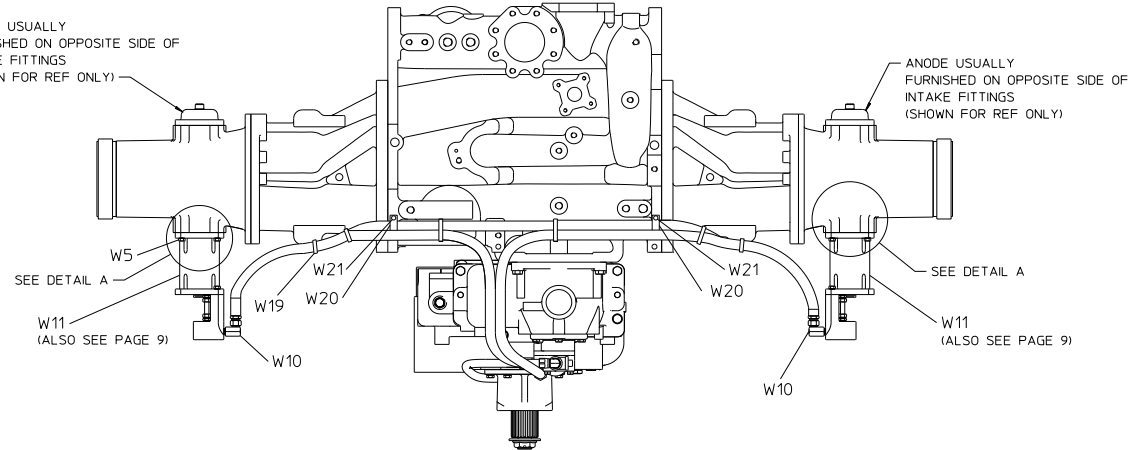


DETAIL B

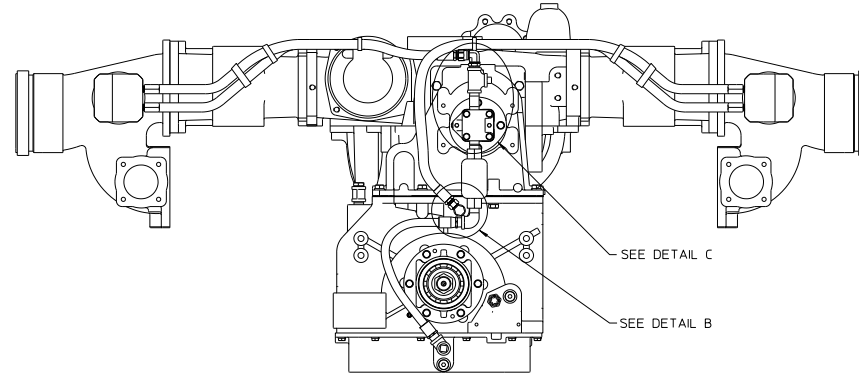


DETAIL C

ANODE USUALLY
FURNISHED ON OPPOSITE SIDE OF
INTAKE FITTINGS
(SHOWN FOR REF ONLY)



ANODE USUALLY
FURNISHED ON OPPOSITE SIDE OF
INTAKE FITTINGS
(SHOWN FOR REF ONLY)

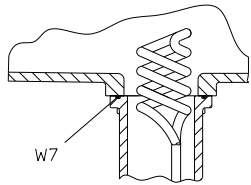


MOUNTING ON C20 SERIES TRANSMISSIONS
AFTER APRIL 8, 2020

Mounting on C20 Series Transmission Prior to April 8, 2020

REF. NO.	DESCRIPTION
W5	Hex Hd Screw, 7/16-14 x 1 in.
W7	O-ring, 3-1/2 x 3-3/4 in.
W10	Adapter Union, 90°, 3/8 in.
W11	Oil Cooler Subassembly
W12	Hose Assembly, 48 in. Long, 3/8 NPT
W13	Hose Assembly, 53 in. Long, 3/8 NPT
W14	Hose Assembly, 66 in. Long, 3/8 NPT

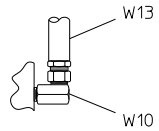
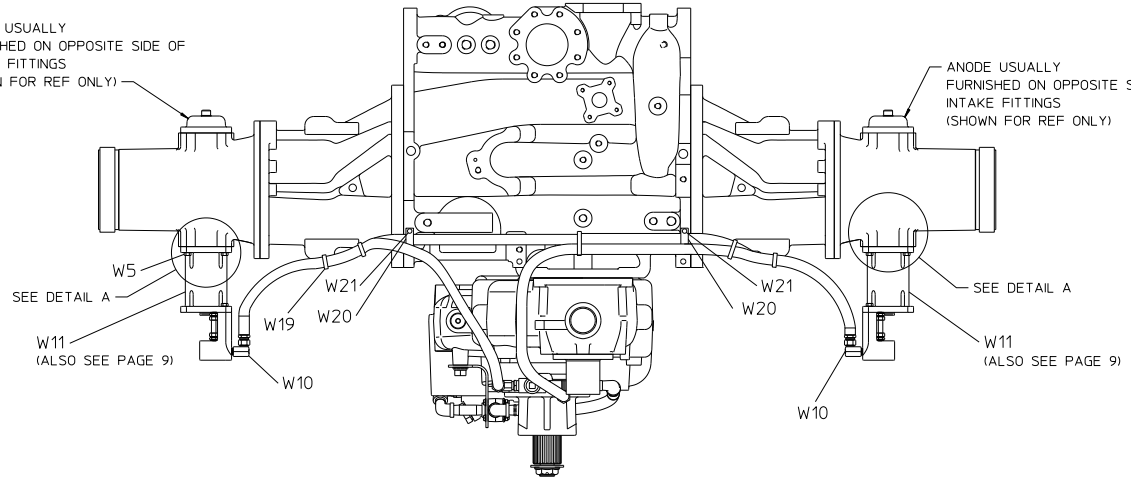
REF. NO.	DESCRIPTION
W15	Bushing, 1/2 x 3/8 in.
W19	Cable Tie
W20	Conduit Clamp
W21	Hex Hd Screw, 1/4-20 x 1/2 in.
W22	Pipe Nipple, 1/2 in. NPT x 1-1/8 in.
W23	Pipe Tee, 1/2 in. NPT
W24	Pipe Plug, 1/2 in. NPT, Square Hd



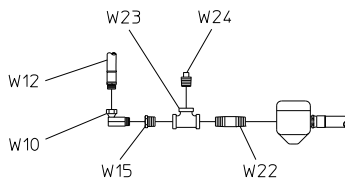
DETAIL A

ANODE USUALLY
FURNISHED ON OPPOSITE SIDE OF
INTAKE FITTINGS
(SHOWN FOR REF ONLY)

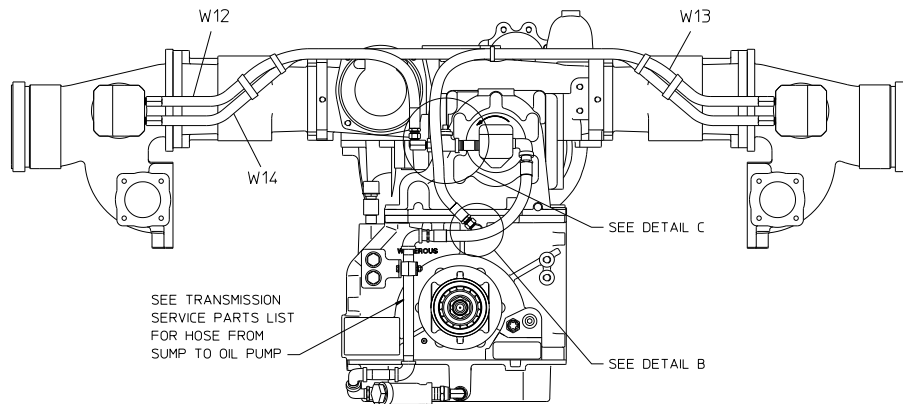
ANODE USUALLY
FURNISHED ON OPPOSITE SIDE OF
INTAKE FITTINGS
(SHOWN FOR REF ONLY)



DETAIL B



DETAIL C



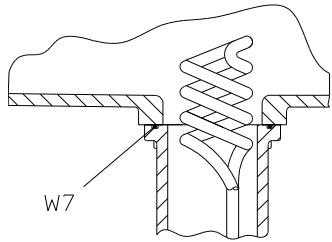
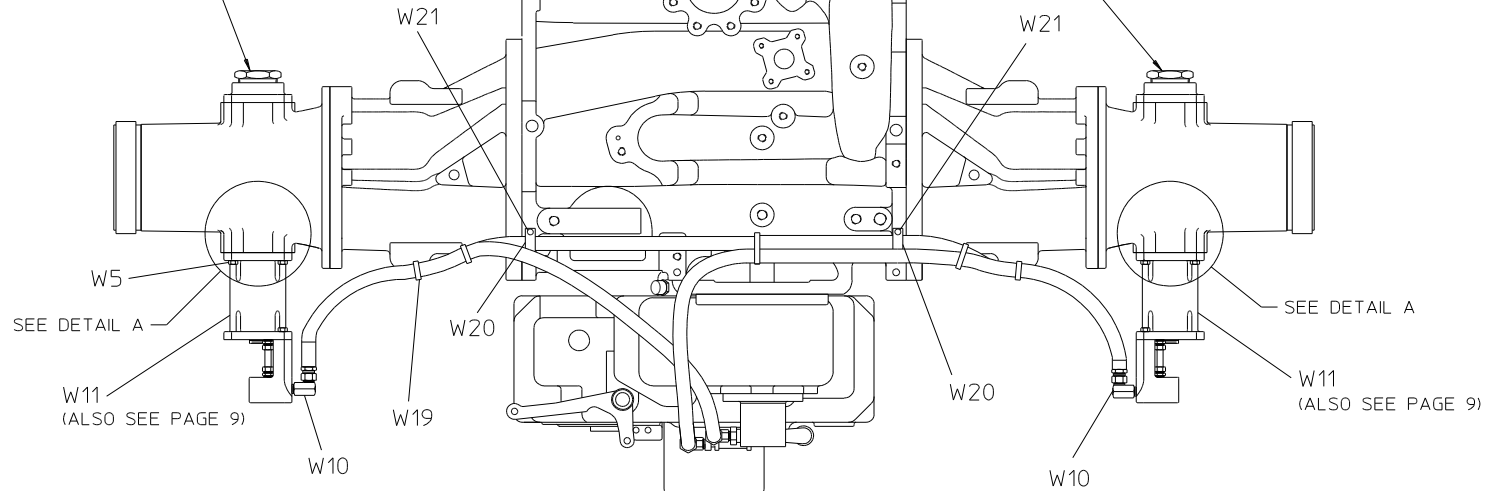
MOUNTING ON C20 SERIES TRANSMISSIONS
PRIOR TO APRIL 8, 2020

Mounting on Y Series Transmission

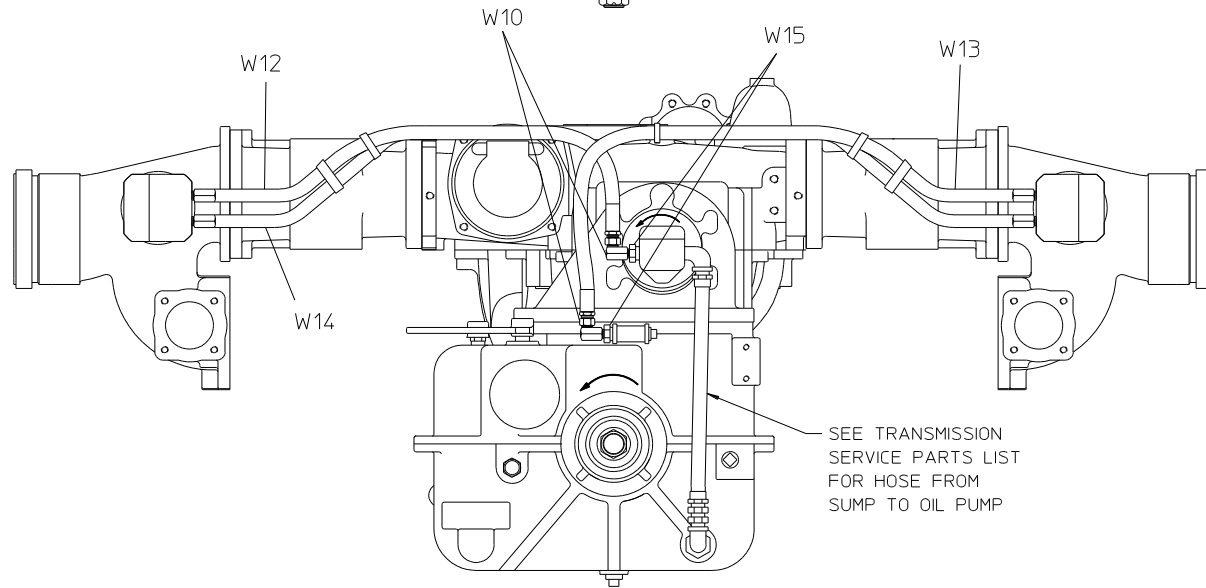
REF. NO.	DESCRIPTION
W5	Hex Hd Screw, 7/16-14 x 1 in.
W7	O-ring, 3-1/2 x 3-3/4 in.
W10	Adapter Union, 90° , 3/8 in.
W11	Oil Cooler Subassembly
W12	Hose Assembly, 48 in. Long, 3/8 NPT
W13	Hose Assembly, 53 in. Long, 3/8 NPT
W14	Hose Assembly, 66 in. Long, 3/8 NPT

REF. NO.	DESCRIPTION
W15	Bushing, 1/2 x 3/8 in.
W19	Cable Tie
W20	Conduit Clamp
W21	Hex Hd Screw, 1/4-20 x 1/2 in.
W22	Pipe Nipple, 1/2 in. NPT x 1-1/8 in.
W23	Pipe Tee, 1/2 in. NPT
W24	Pipe Plug, 1/2 in. NPT, Square Hd

ZINC ANODE USUALLY
FURNISHED ON OPPOSITE SIDE OF
INTAKE FITTINGS
(SHOWN FOR REF ONLY)



DETAIL A

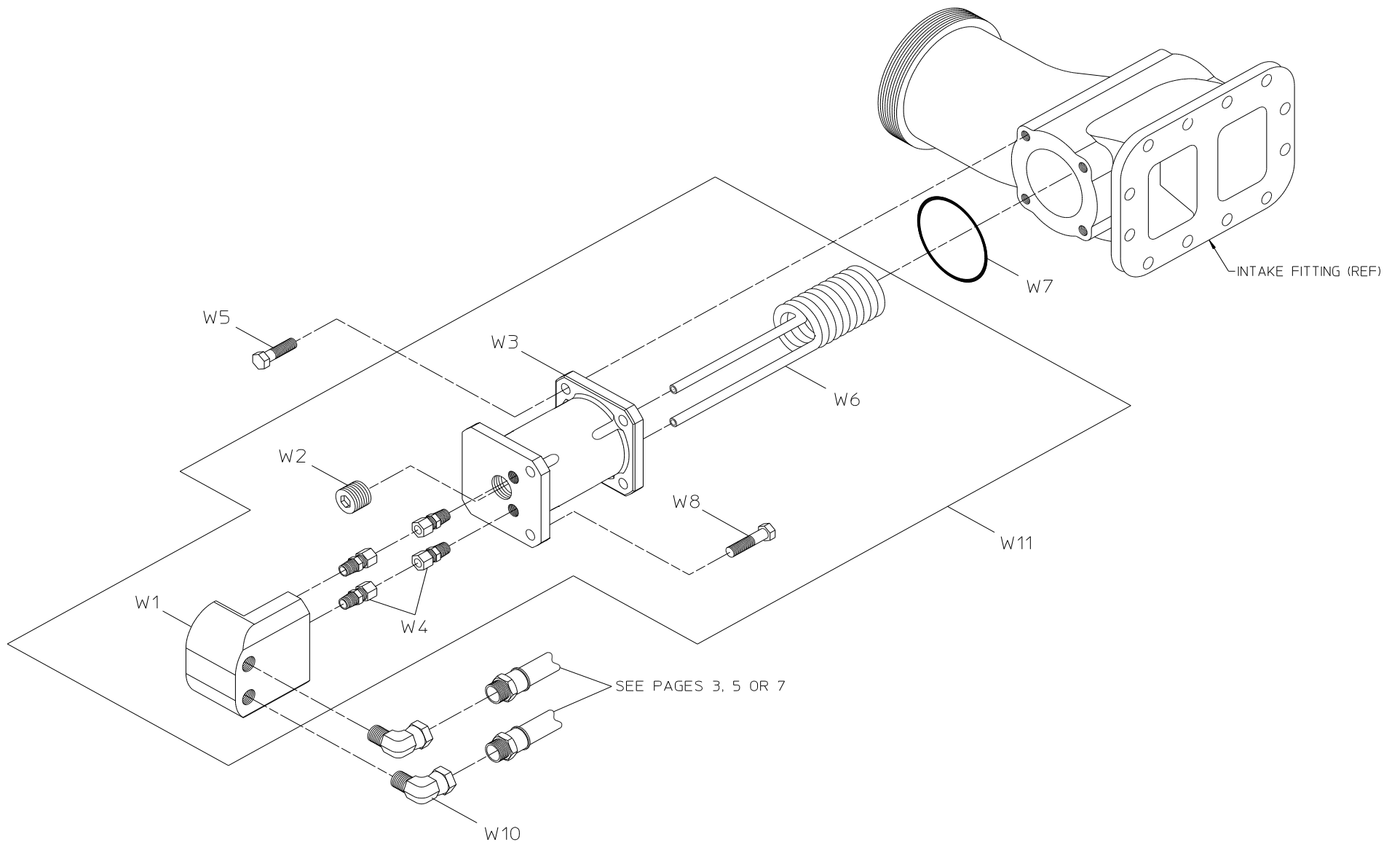


MOUNTING ON Y SERIES TRANSMISSIONS

Components of Oil Cooler Subassembly

REF. NO.	DESCRIPTION
W1	Oil Cooler Adapter
W2	Headless Pipe Plug, 3/4 in.
W3	Oil Cooler Extension
W4	Tube Connector
W5	Hex Hd Screw, 7/16-14 x 1 in.
W6	Oil Cooler Tubing

REF. NO.	DESCRIPTION
W7	O-ring, 3-1/2 x 3-3/4 in.
W8	Hex Hd Screw, 7/16-14 x 1-1/4 in.
W10	Adapter Union, 90°, 3/8 in.
W11	Oil Cooler Subassembly

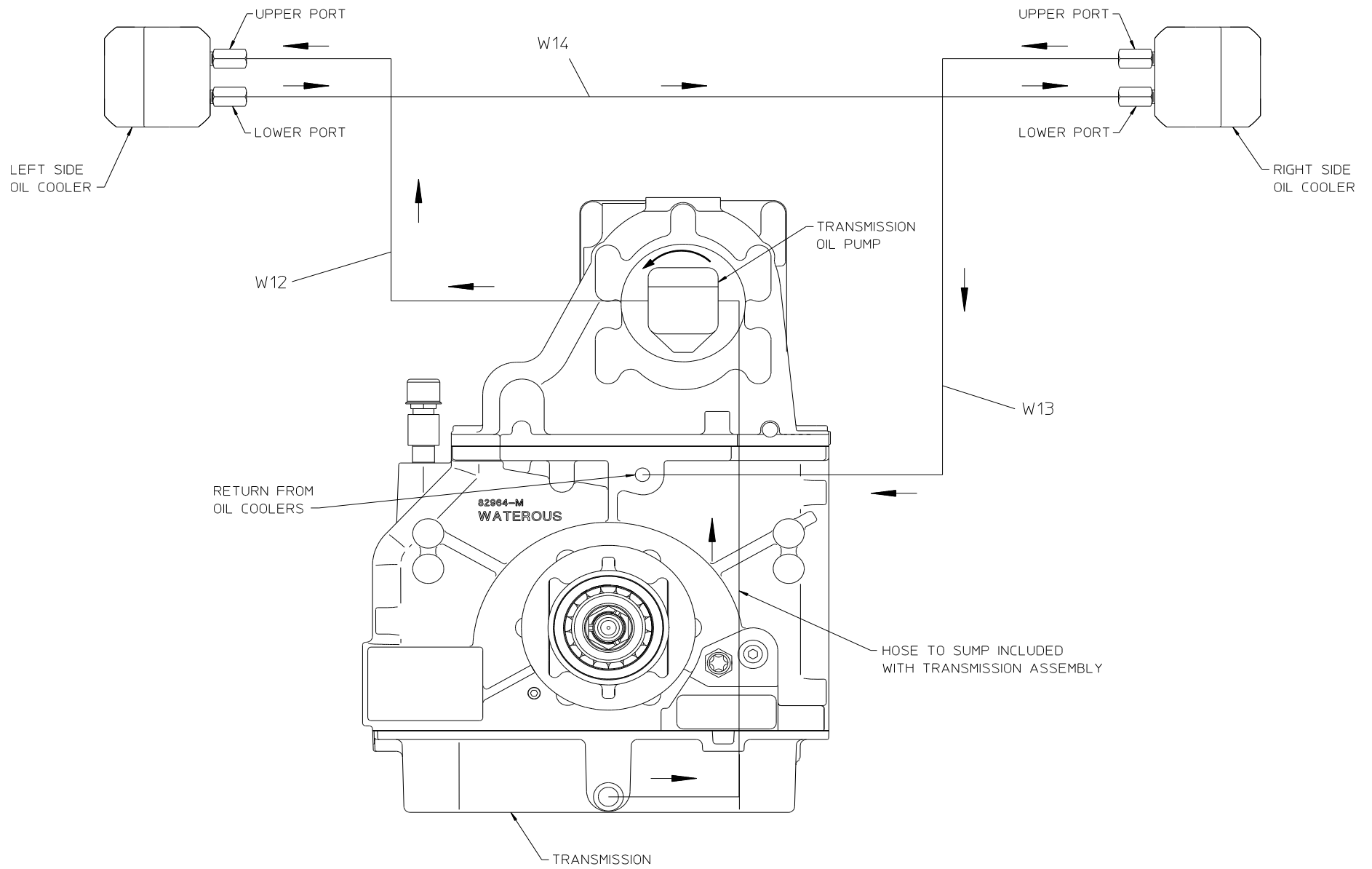


COMPONENTS OF OIL COOLER SUBASSEMBLY

Hose Schematic

REF. NO.	DESCRIPTION
W12	Hose Assembly, 48 in. Long, 3/8 NPT
W13	Hose Assembly, 53 in. Long, 3/8 NPT

REF. NO.	DESCRIPTION
W14	Hose Assembly, 66 in. Long, 3/8 NPT



HOSE SCHEMATIC