



|                 |                 |                |
|-----------------|-----------------|----------------|
| Document Number | Issue Date      | Rev. Date      |
| <b>SPL82940</b> | <b>02/08/07</b> | <b>9/18/14</b> |

## High Pressure Model Floto Pump Service Parts List

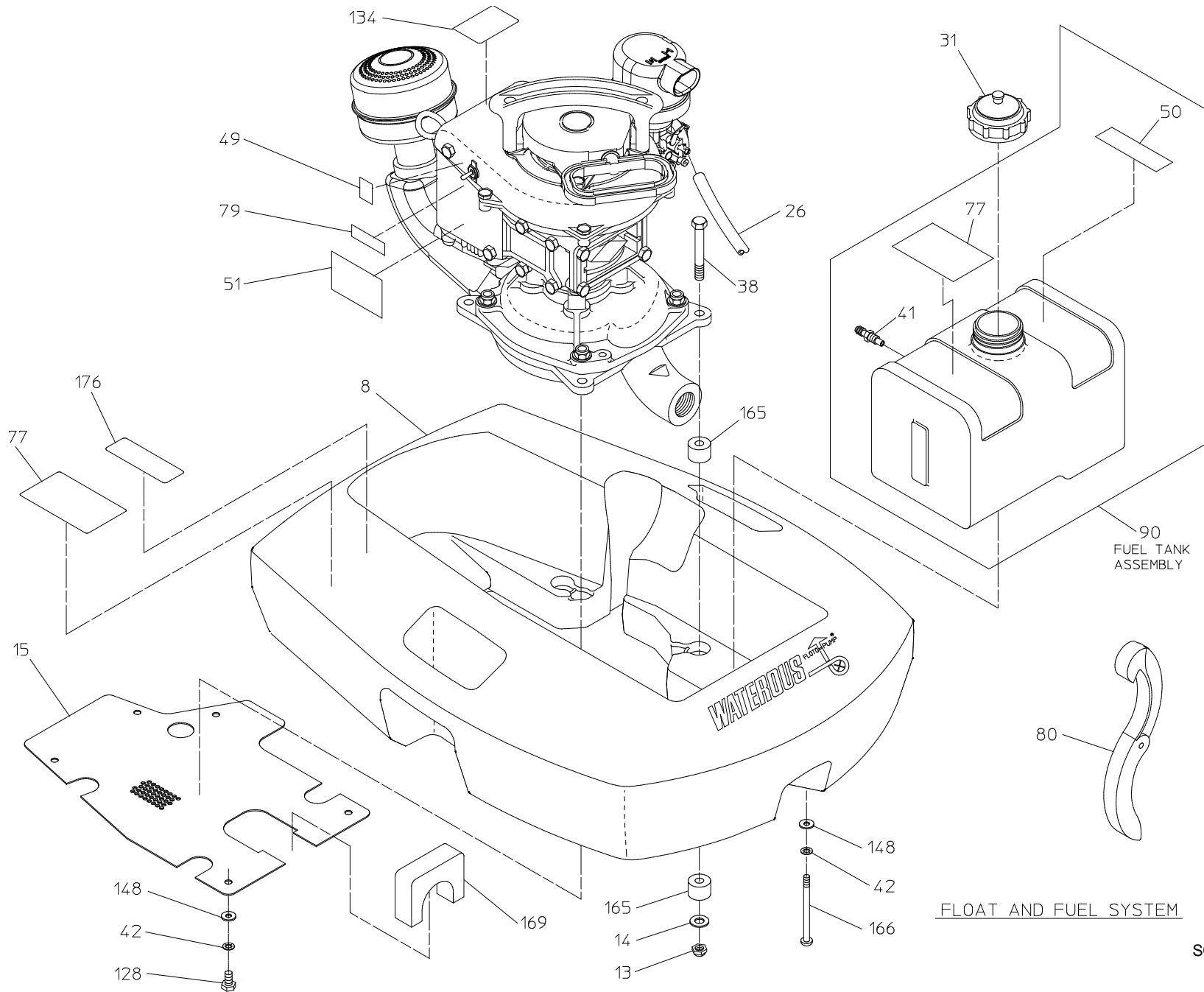
Index:

| <b>Components</b>                | <b>See Page</b> |
|----------------------------------|-----------------|
| Float and Fuel System            | 2, 3            |
| Exhaust and Air Intake           | 4, 5            |
| Pump                             | 6, 7            |
| Engine, Starter and Ignition     | 8, 9            |
| Engine, Caruretor and Power Head | 10, 11          |

## Float and Fuel System

| REF. NO. | DESCRIPTION                                    |
|----------|--|
| 8        | Float  |
| 13       | Nylok hex nut, 3/8-16                          |
| 14       | Plain washer, 3/8 in.                          |
| 15       | Intake screen                                  |
| 26       | Fuel line                                      |
| 31       | Fuel tank cap                                  |
| 38       | Hex hd screw, 3/8-16 x 2-3/4 in.               |
| 41       | Fuel line filter                               |
| 42       | Internal tooth lock washer, 1/4 in.            |
| 49       | RUN-STOP decal                                 |
| 50       | Fuel mix decal                                 |
| 51       | Name plate decal (includes pump serial number) |

| REF. NO. | DESCRIPTION  |
|----------|--|
| 77       | Hearing protection warning decal                     |
| 79       | Patent decal   |
| 80       | Folding spanner wrench                               |
| 90       | Fuel tank subassembly (includes ref no. 41, 50 & 77) |
| 128      | Hex hd screw, 1/4-20 x 1/2 in.                       |
| 134      | Carbon monoxide warning label                        |
| 148      | Plain washer, 1/4 in.                                |
| 165      | Rubber bushing                                       |
| 166      | Pan hd screw, 1/4-20 x 2-3/4 in.                     |
| 169      | Inlet chamber seal                                   |
| 176      | Hot warning decal                                    |
| 177      | CE marking decal                                     |



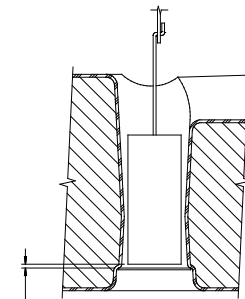
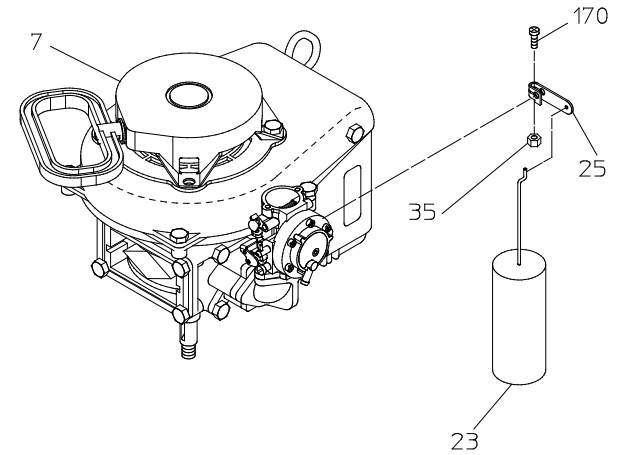
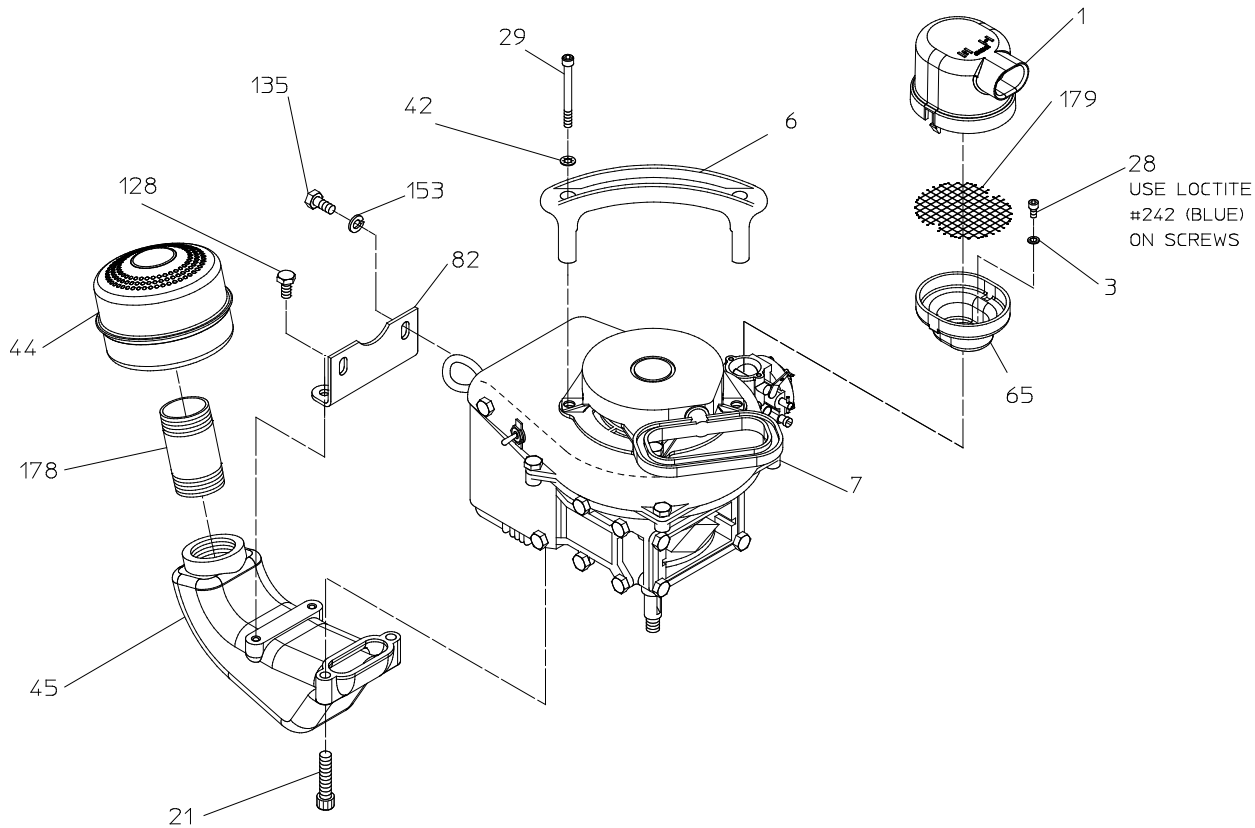
FLOAT AND FUEL SYSTEM

FLOTO PUMP  
 SPL82940  
 WATEROUS COMPANY  
 SOUTH ST. PAUL, MN 55075

## Exhaust and Air Intake

| REF. NO. | DESCRIPTION                          |
|----------|--------------------------------------|
| 1        | Air intake cover                     |
| 3        | Internal tooth lock washer, no. 10   |
| 6        | Lifting handle                       |
| 7        | Engine                               |
| 21       | Socket hd screw, 5/16-18 x 1-1/2 in. |
| 23       | Throttle control float               |
| 25       | Throttle arm                         |
| 28       | Socket hd screw, no. 10-32 x 3/8 in. |
| 29       | Socket hd screw, 1/4-20 x 2-1/2 in.  |
| 35       | Self-locking nut, no. 10-24          |
| 42       | Internal tooth lock washer, 1/4 in.  |

| REF. NO. | DESCRIPTION                             |
|----------|---|
| 44       | Muffler                                 |
| 45       | Exhaust adapter                         |
| 65       | Air intake base                         |
| 82       | Muffler bracket                         |
| 128      | Hex hd screw, 1/4-20 x 1/2 in.          |
| 135      | Hex hd screw, 1/4-20 x 5/8 in.          |
| 153      | Lock washer, 1/4 in.                    |
| 170      | Fillister hd screw, no. 10-24 x 5/8 in. |
| 178      | Pipe nipple, 1-1/4 NPT x 5 in.          |
| 179      | Air intake screen                       |



WITH THROTTLE CLOSED, SET THE THROTTLE CONTROL ARM SO THAT THE FLOAT COMES WITHIN 1/8 IN. OF THE SCREEN

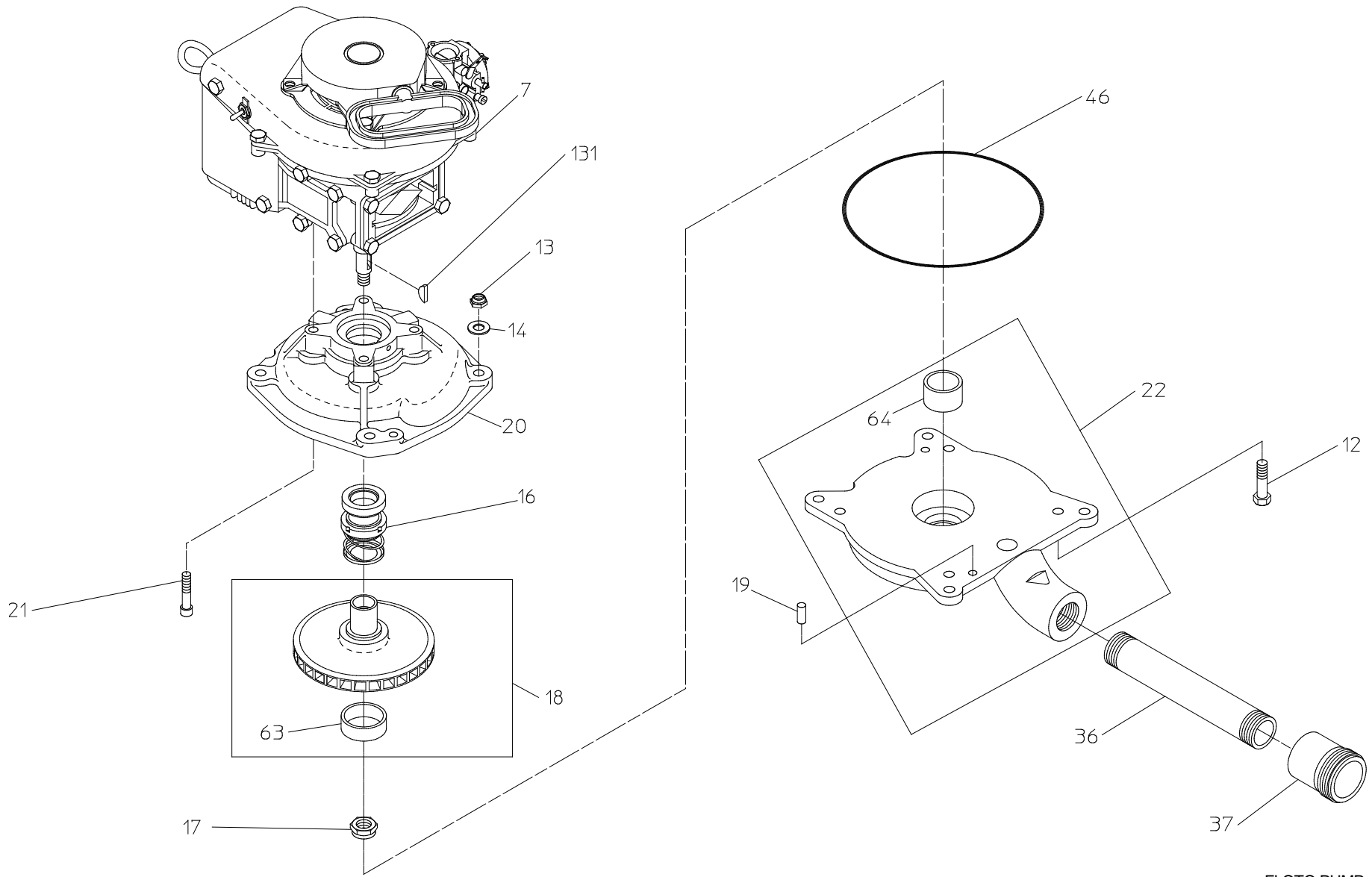
EXHAUST AND AIR INTAKE

FLOTO PUMP  
SPL82940  
WATEROUS COMPANY  
SOUTH ST. PAUL, MN 55075

## Pump

| REF. NO. | DESCRIPTION                      |
|----------|----------------------------------|
| 7        | Engine                           |
| 12       | Hex hd screw, 3/8-16 x 1-1/2 in. |
| 13       | Self-locking nut, 3/8-16         |
| 14       | Plain washer, 3/8 in.            |
| 16       | Mechanical seal                  |
| 17       | Self-locking nut, 9/16-18        |
| 18       | Impeller                         |
| 19       | Dowel pin, SS, 5/16 x 3/4 in.    |
| 20       | Upper volute body                |

| REF. NO. | DESCRIPTION   |
|----------|---|
| 21       | Socket hd screw, 5/16-18 x 1-1/2 in.                |
| 22       | Lower volute body                                   |
| 36       | Pipe nipple, 1 NPT x 7-3/4 in.                      |
| 37       | Discharge nozzle, 1-1/2 NH, 1-1/2 NPSH or 1-1/2 BSP |
| 46       | O-ring, 7-1/4 x 7-1/2 in.                           |
| 63       | Impeller bushing                                    |
| 64       | Volute bushing                                      |
| 131      | Woodruff key  |



PUMP

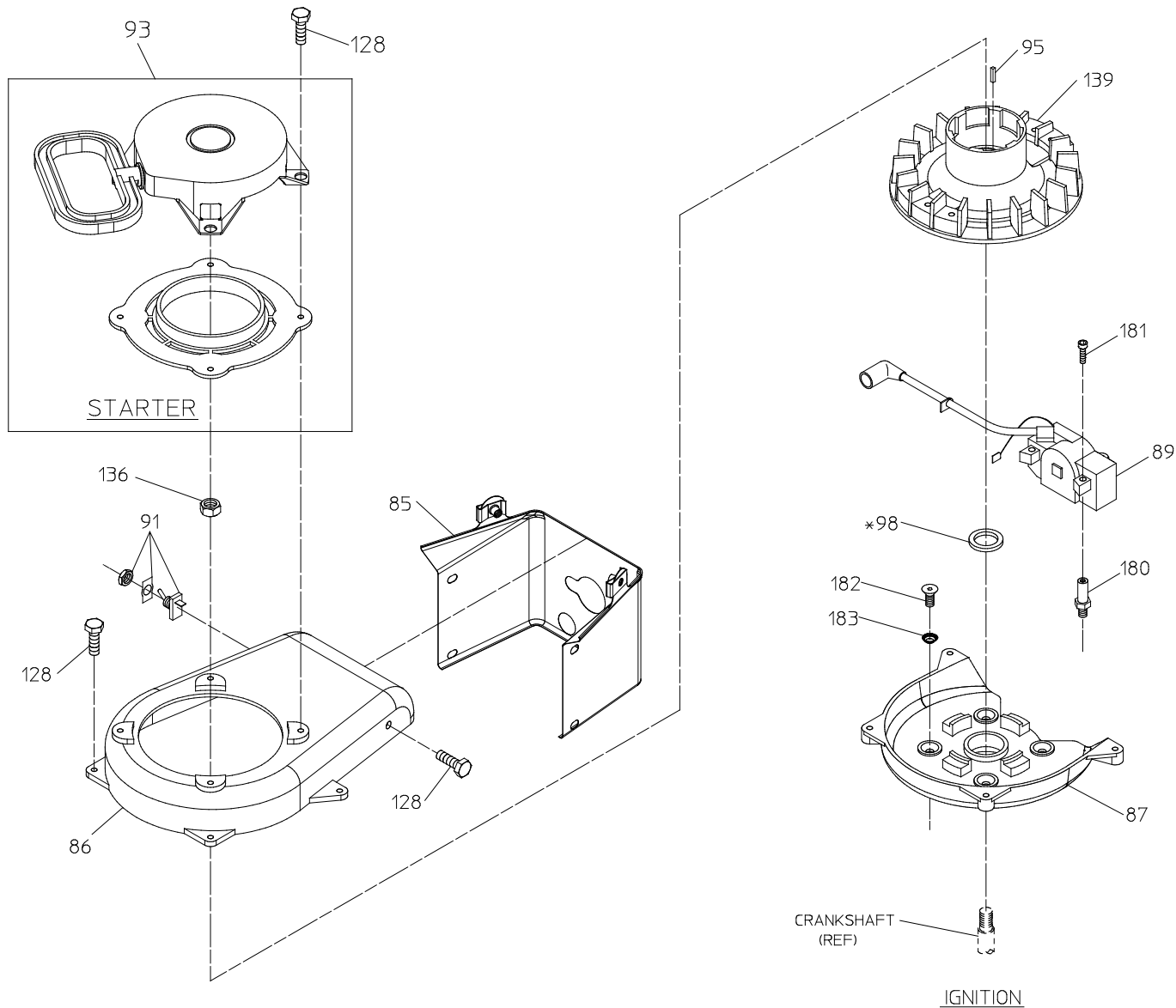
FLOTO PUMP  
 SPL82940  
 WATEROUS COMPANY  
 SOUTH ST. PAUL, MN 55075

## Engine - Starter and Ignition

| REF. NO. | DESCRIPTION   |
|----------|---|
| 85       | Cylinder cover (Includes decals)                    |
| 86       | Fan housing (Includes decals)                       |
| 87       | Support plate                                       |
| 89       | Ignition coil assembly                              |
| 91       | Ignition switch                                     |
| 93       | Starter   |
| 95       | Flywheel key  |
| 98       | Magneto end seal                                    |
| 128      | Hex hd screw with serrated flange, 1/4-20 x 1/2 in. |

| REF. NO. | DESCRIPTION                       |
|----------|-----------------------------------|
| 136      | Hex nut, 7/16-20                  |
| 139      | Flywheel                          |
| 180      | Ignition stud                     |
| 181      | Socket hd screw, #10-32 x 3/4 in. |
| 182      | Flat hd screw, 1/4-20 x 5/8 in.   |
| 183      | Countersunk lock washer, 1/4 in.  |





NOTE: ENGINE PARTS DESIGNATED BY A REF. NO. CAN BE SUPPLIED BY WATEROUS COMPANY OR A U.S. MOTOR POWER BEE DISTRIBUTOR OR DEALER. PARTS WITHOUT A REF. NO. CAN BE SUPPLIED BY U.S. MOTOR POWER ONLY. SEE U.S. MOTOR POWER'S SERVICE MANUAL FOR INFORMATION ON OBTAINING THESE PARTS.

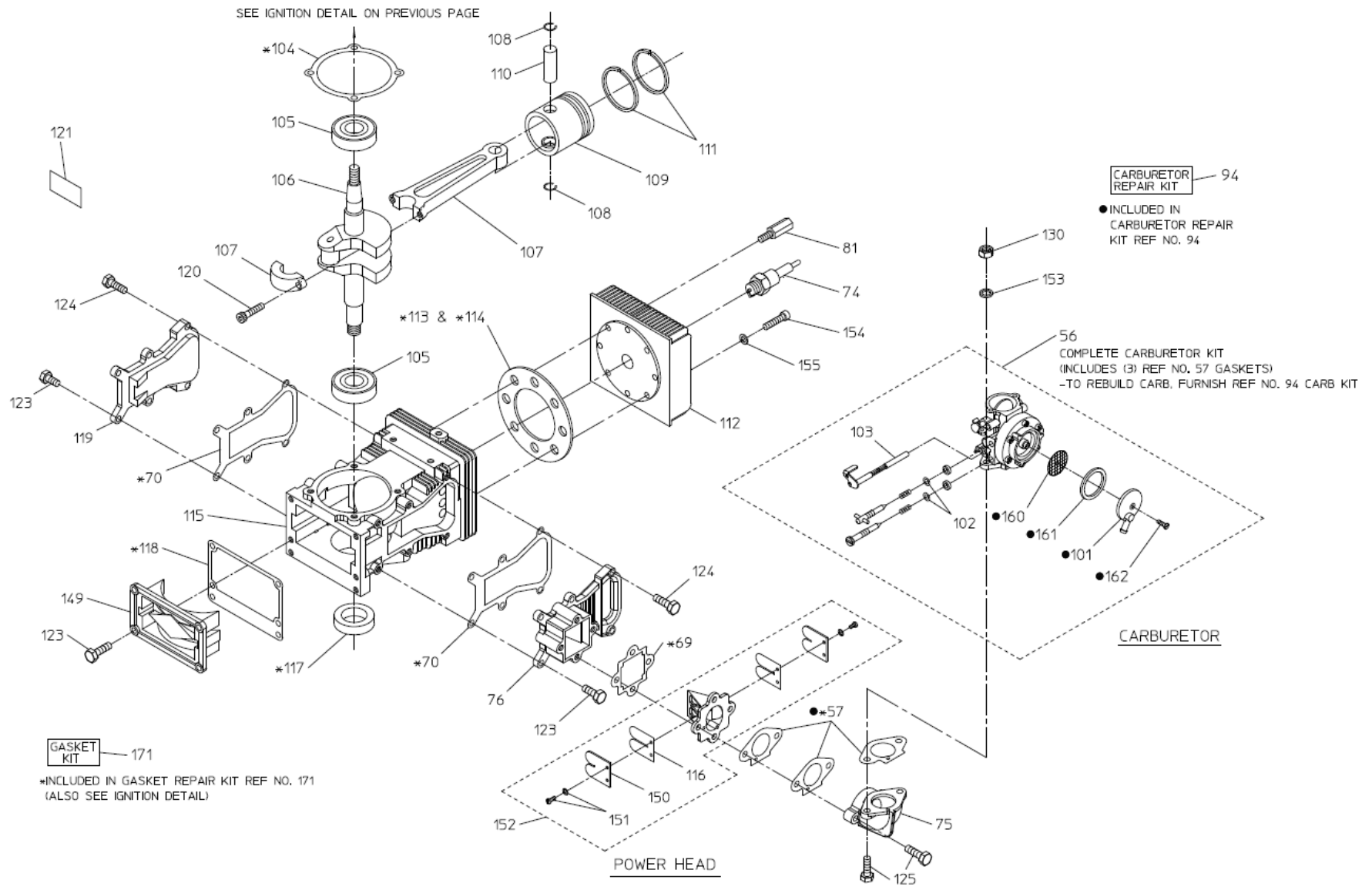
\*INCLUDED IN GASKET REPAIR KIT REF NO. 171  
(ALSO SEE POWER HEAD DETAIL)

FLOTO PUMP  
SPL82940  
WATEROUS COMPANY  
SOUTH ST. PAUL, MN 55075

## Engine - Carburetor and Power Head

| REF. NO. | DESCRIPTION  |
|----------|--|
| 56       | Complete carburetor  |
| 57       | Carburetor gasket  |
| 69       | Manifold gasket  |
| 70       | Transfer port cover gasket                                     |
| 74       | Spark plug (Champion RL-86C)                                   |
| 75       | Carburetor adapter elbow                                       |
| 76       | Manifold   |
| 81       | Head bolt stud   |
| 94       | Carburetor repair parts kit (Includes 57, 101, 160, 161 & 162) |
| 101      | Fuel strainer cover  |
| 102      | Main adjustment screw washer                                   |
| 103      | Throttle shaft and lever                                       |
| 104      | Bearing cage gasket  |
| 105      | Ball bearing   |
| 106      | Crankshaft   |
| 107      | Connecting rod with cap  |
| 108      | Retaining ring   |
| 109      | Piston   |
| 110      | Piston pin   |
| 111      | Piston ring set  |
| 112      | Cylinder head  |
| 113      | Head gasket, .032 in. thick                                    |
| 114      | Head gasket, .062 in. thick                                    |

| REF. NO. | DESCRIPTION  |
|----------|--|
| 115      | Cylinder with seal   |
| 116      | Reed   |
| 117      | Drive end seal   |
| 118      | Crankcase cover gasket   |
| 119      | Transfer port cover  |
| 120      | Connecting rod screw   |
| 121      | Crankpin roller set  |
| 123      | Hex hd screw with serrated flange, 1/4-20 x 5/8 in.                            |
| 124      | Hex hd screw with serrated flange, 1/4-20 x 3/4 in.                            |
| 125      | Hex hd screw with serrated flange, 1/4-20 x 1 in.                              |
| 130      | Hex nut, 1/4-20  |
| 149      | Crankcase cover  |
| 150      | Reed stop  |
| 151      | Round hd screw with lock washer, no. 6-32 x 5/16 in.                           |
| 152      | Reed plate (includes 116, 150 & 151)   |
| 153      | Spring lock washer, 1/4 in.  |
| 154      | Socket hd screw, 1/4-20 x 1 in.  |
| 155      | Plain washer, 1/4 in.  |
| 160      | Fuel strainer screen   |
| 161      | Fuel strainer cover gasket   |
| 162      | Hex hd screw, no. 6-32 x 7/16 in.  |
| 171      | Power head gasket and seal kit (Includes 57, 69, 70, 104, 113, 114, 117 & 118) |



FLOTO PUMP  
SPL82940  
WATEROUS COMPANY  
SOUTH ST. PAUL, MN 55075