



Document Number SPL83164	Issue Date 02/16/12	Rev. Date 7/16/21
------------------------------------	-------------------------------	-----------------------------

CR Series Pump Body Service Parts Lists

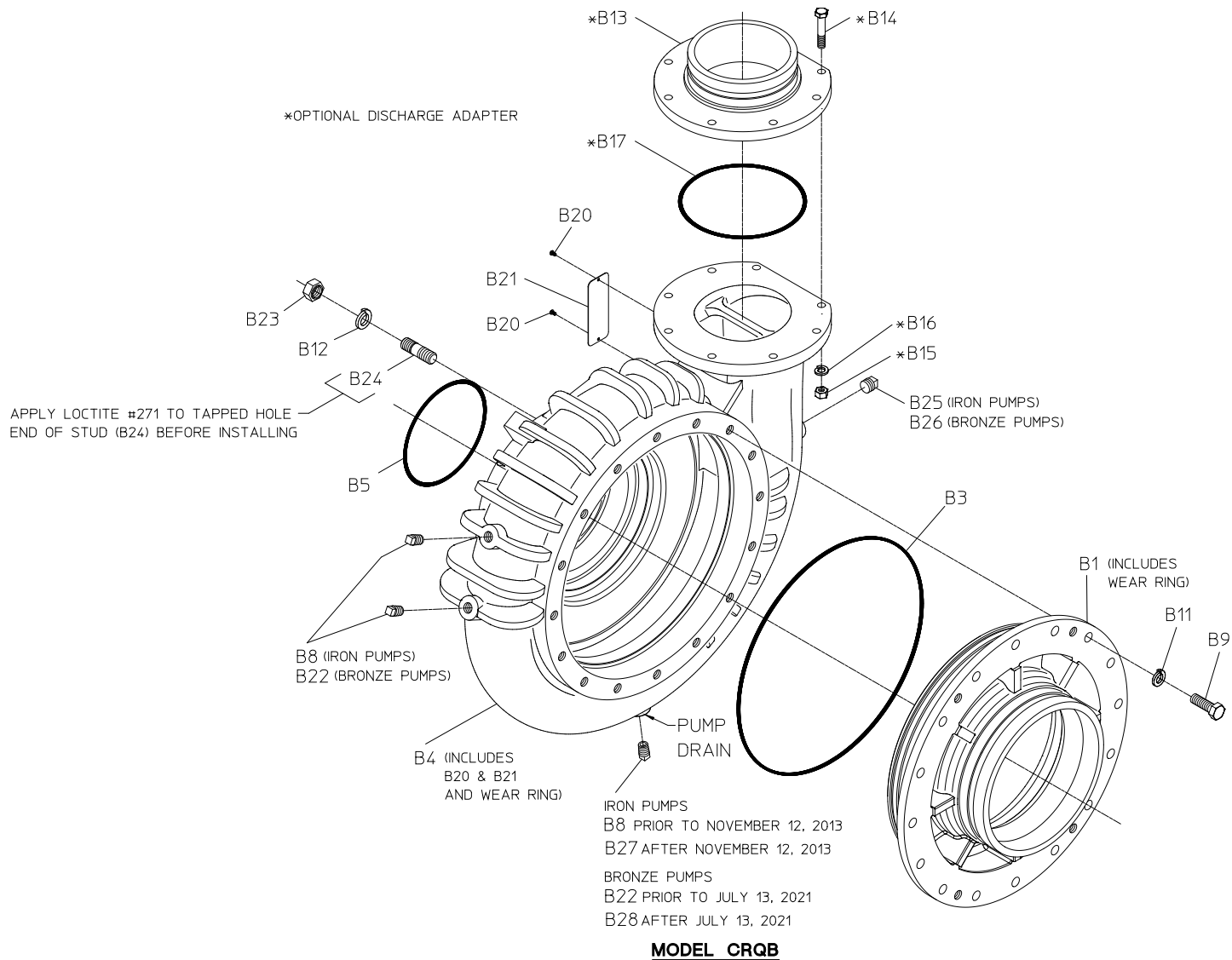
Index:

Pump Model <i>(Located on Pump Serial Plate)</i>	See Page
CR	See Service Parts List SPL82044
CRQA	
CRQB	2, 3
CRQC	4, 5

Model CRQB

REF NO.	DESCRIPTION
B1	Intake Adapter (Includes Wear Ring)
B3	O-ring, 13 x 13-1/4 in.
B4	Volute Body (Includes B20, B21 and Wear Ring)
B5	O-ring, 5-5/8 x 5-7/8 in.
B8	Pipe Plug, 1/4 NPT (Iron Pumps)
B9	Hex Hd Screw, 1/2-13 x 1-1/2 in.
B11	Lock Washer, 1/2 in.
B12	Lock Washer, 5/8 in.
B13	Discharge Adapter
B14	Hex Hd Screw, 3/8-24 x 2 in.
B15	Hex Nut, 3/8-24

REF NO.	DESCRIPTION
B16	Lock Washer, 3/8 in.
B17	O-ring, 6-1/4 x 6-1/2 in.
B20	Round Head Drive Screw, No. 6 x 1/4 in.
B21	Serial Plate
B22	Pipe Plug, 1/4 NPT (Bronze Pumps)
B23	Hex Nut, 5/8-18
B24	Stud, 5/8 UNC x UNF x 2-3/16 in. Long
B25	Pipe Plug, 3/8 NPT (Iron Pumps)
B26	Pipe Plug, 3/8 NPT (Bronze Pumps)
B27	Pipe Plug, 3/4 NPT (Iron Pumps)
B28	Pipe Plug, 3/4 NPT (Bronze Pumps)



Model CRQC

REF NO.	DESCRIPTION
B1	Intake Adapter (Includes Wear Ring)
B2	Mounting Bracket
B3	O-ring, 13 x 13-1/4 in.
B4	Volute Body (Includes B20, B21 and Wear Ring)
B8	Pipe Plug, 1/4 NPT (Iron Pumps)
B9	Hex Hd Screw, 1/2-13 x 1-1/2 in.
B11	Lock Washer, 1/2 in.

REF NO.	DESCRIPTION
B20	Drive Screw, No. 6 x 1/4 in.
B21	Serial Plate
B22	Pipe Plug, 1/4 NPT (Bronze Pumps)
B25	Pipe Plug, 3/8 NPT (Iron Pumps)
B26	Pipe Plug, 3/8 NPT (Bronze Pumps)
B27	Pipe Plug, 3/4 NPT (Iron Pumps)
B28	Pipe Plug, 3/4 NPT (Bronze Pumps)

