



Document Number	Issue Date	Rev. Date
SPL 83167	07/07/11	

“H” Discharge Manifold Service Parts List

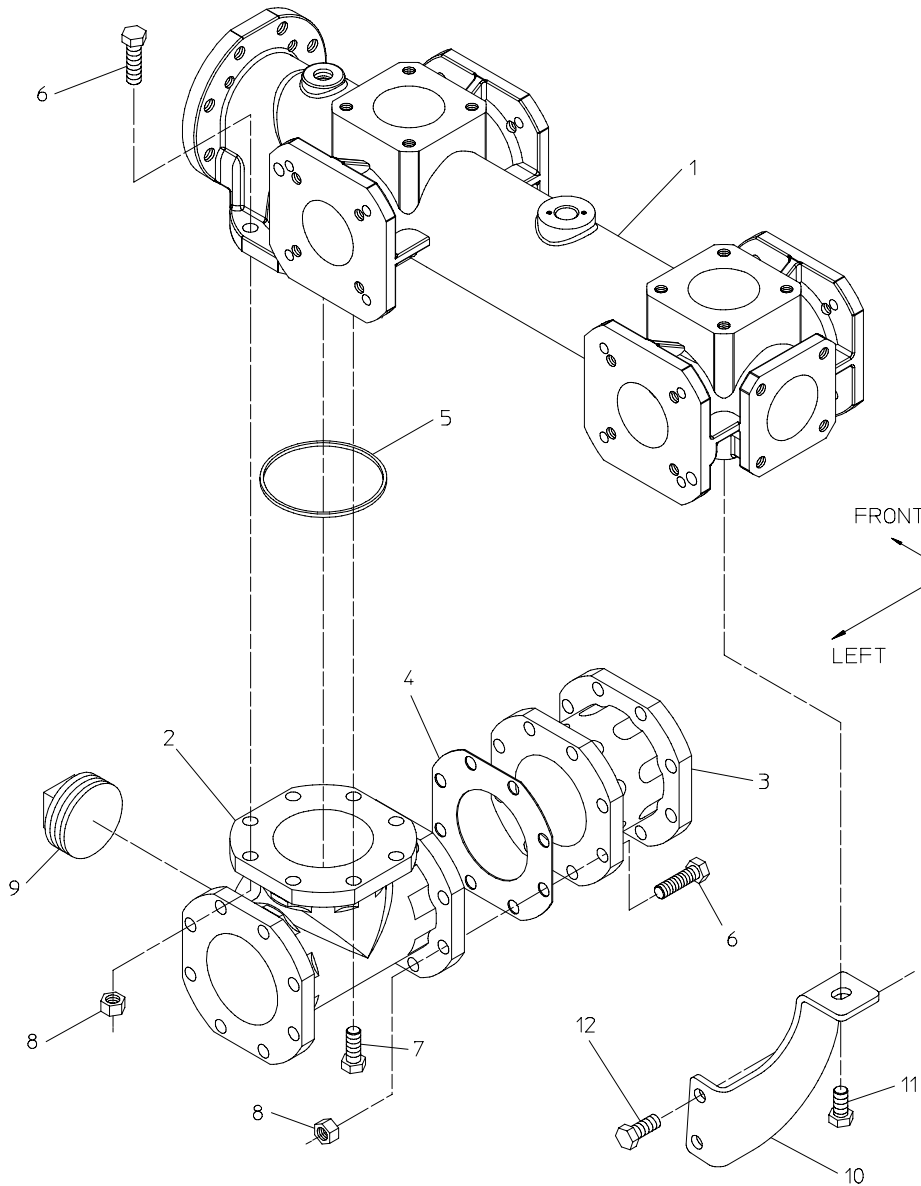
Index:

Component	See Page
Assembly	2, 3

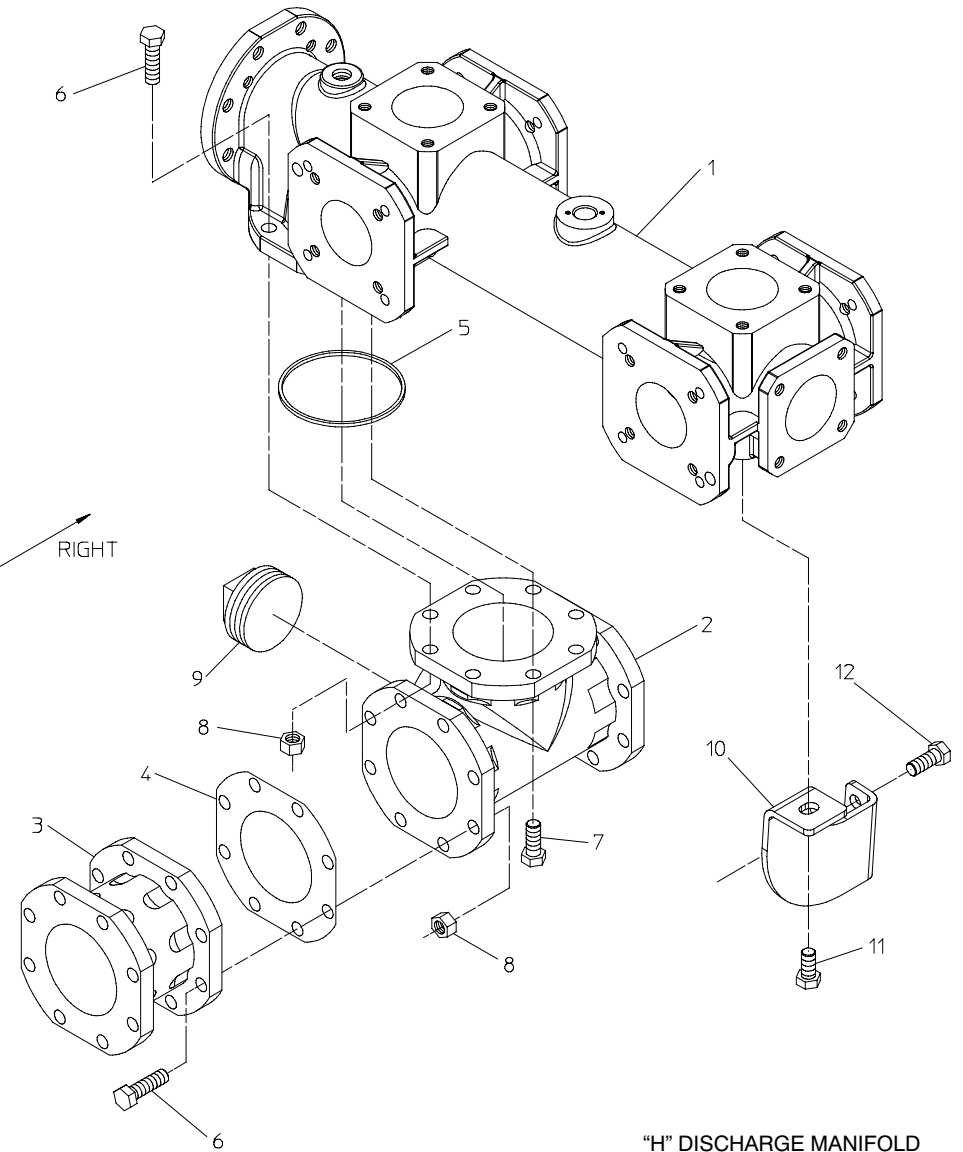
“H” Discharge Manifold Assembly

REF. NO.	DESCRIPTION
1	“H” Manifold
2	Flanged Tee
3	Spacer, 4 in.
4	Gasket
5	Gasket
6	Hex Hd Screw, 1/2-20 x 1-3/4 in.

REF. NO.	DESCRIPTION
7	Hex Hd Screw, 1/2-13 x 1-1/4 in.
8	Hex Nut, 1/2-20
9	Pipe Plug, 2-1/2 NPT
10	Mounting Bracket
11	Hex Hd Screw, 1/2-13 x 1 in.
12	Hex Hd Screw, 1/2-13 x 1-1/2 in.



LEFT SIDE DISCHARGE MANIFOLD ASSEMBLY



RIGHT SIDE DISCHARGE MANIFOLD ASSEMBLY