



Document Number	Issue Date	Rev. Date
<b>SPL83244</b>	<b>01/14/13</b>	<b>1/10/18</b>

## CP-4 Body and Impeller Shaft Assembly Service Parts List

Index:

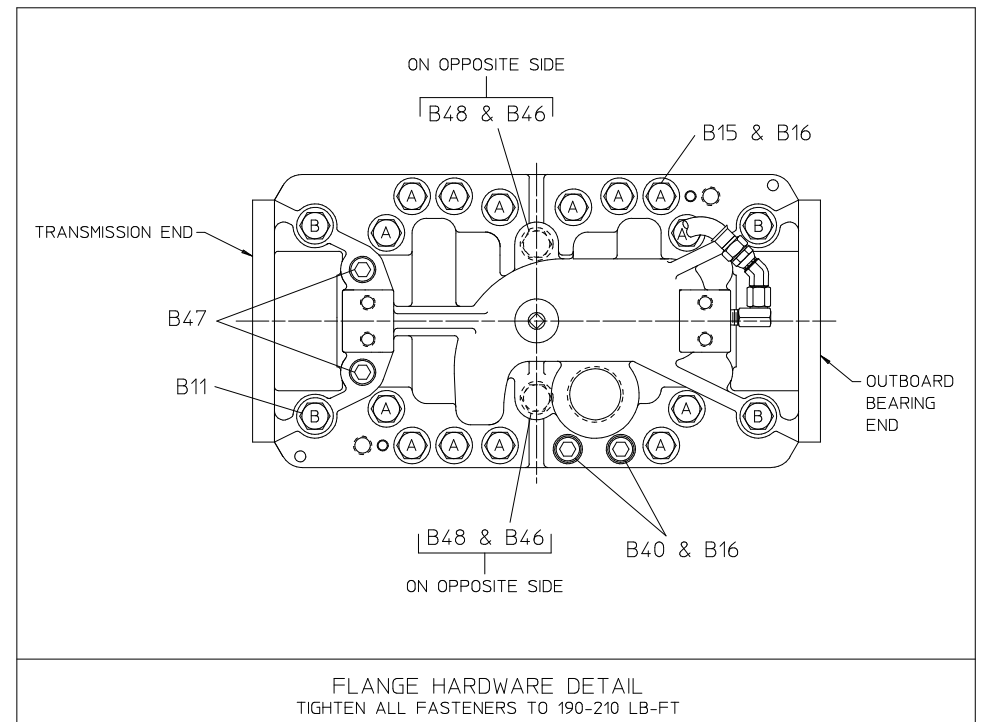
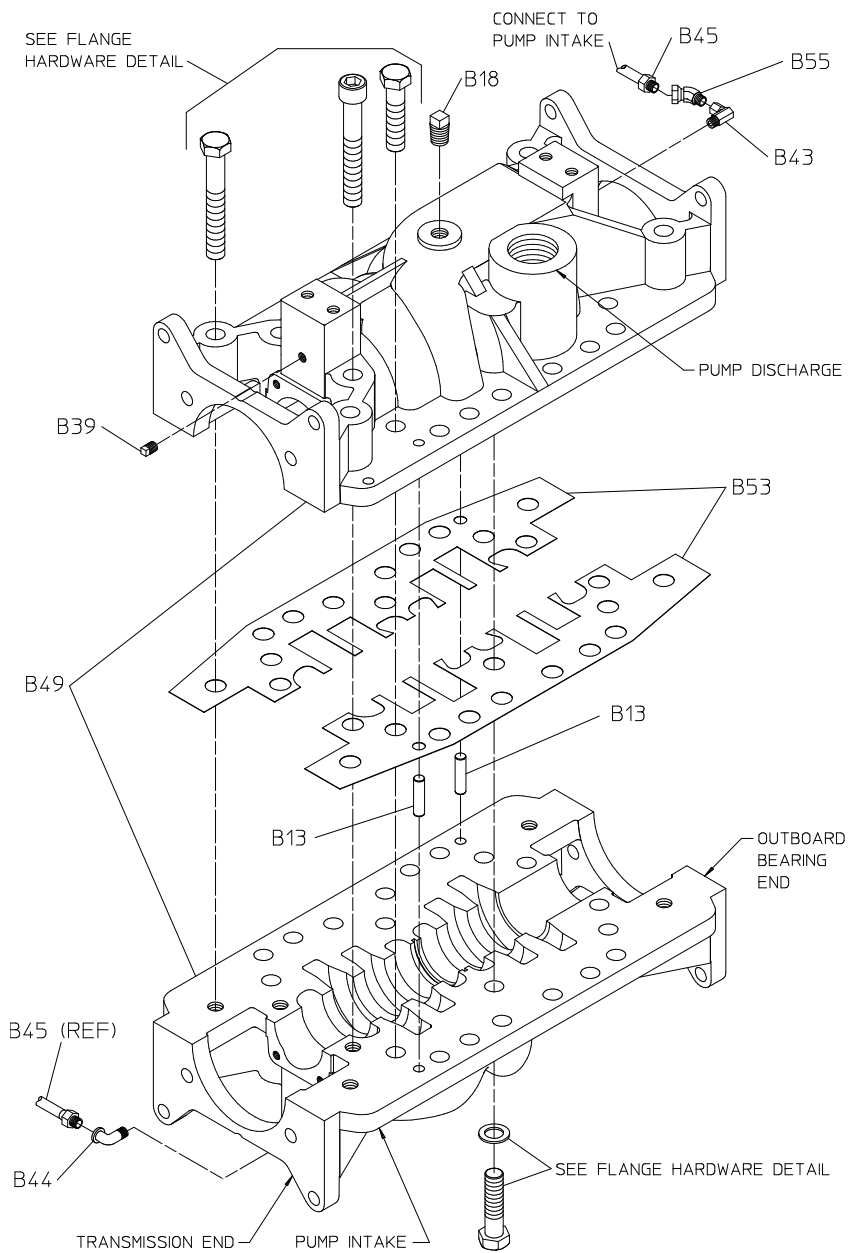
Pump Model	Input Rotation (1)	See Page		
		Body and Impeller Shaft		
		Body Components	Impeller Shaft Components	Cross-Section View
CPK-4, CPT-4, CPT-4UH	CW	2, 3	4, 5	6, 7
	CCW	8, 9	10, 11	12, 13

**NOTE:** Two gear transmissions are used with CP-4 pumps causing the pump impeller shaft to rotate opposite the transmission input rotation.

## Body Components - CW Input Rotation

REF. NO.	DESCRIPTION
B11	Hex hd screw, high strength, 5/8-11 x 3-1/2 in.
B13	Dowel pin, 3/8 x 1-1/2 in.
B15	Hex hd screw, high strength, 5/8-18 x 2-1/4 in.
B16	Hex nut, 5/8-18
B18	Square hd pipe plug, 3/8 in.
B39	Sq hd pipe plug, 1/8 in.
B40	Hex socket hd screw, high strength, 5/8-18 x 2-1/2 in.
B43	Union adapter, 90°, 1/4 in.

REF. NO.	DESCRIPTION
B44	Street elbow, 90°, 1/4 in.
B45	Hose
B46	Copper washer, 5/8 in.
B47	Hex hd screw, 5/8-11 x 3-1/2 in.
B48	Hex hd screw, 5/8-11 x 4 in.
B49	Body subassembly, includes upper and lower body halves and B13 dowel pins.
B53	Body gasket
B55	Adapter swivel, 45°, 1/4 NPT x 1/4 NPSM

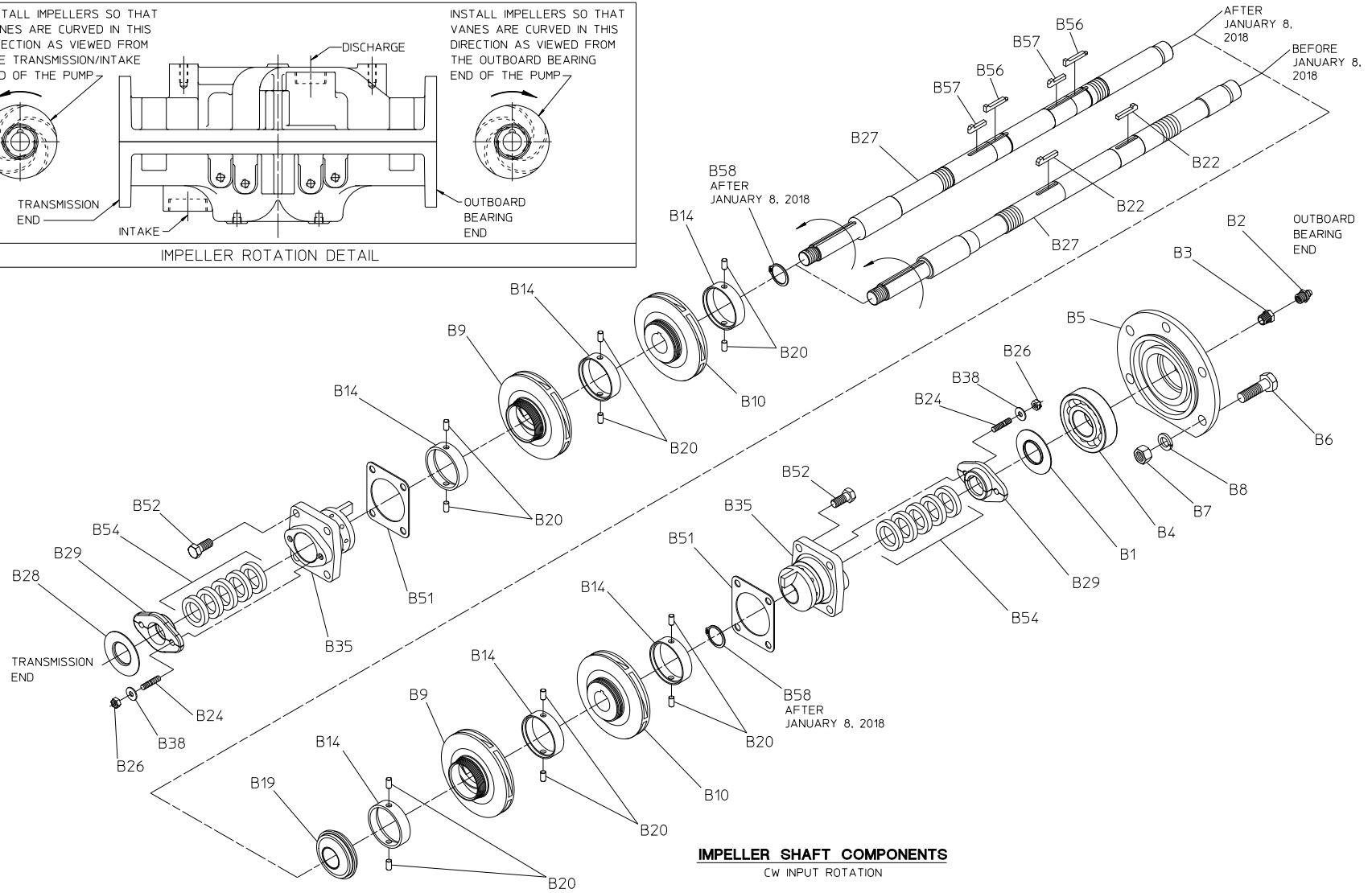
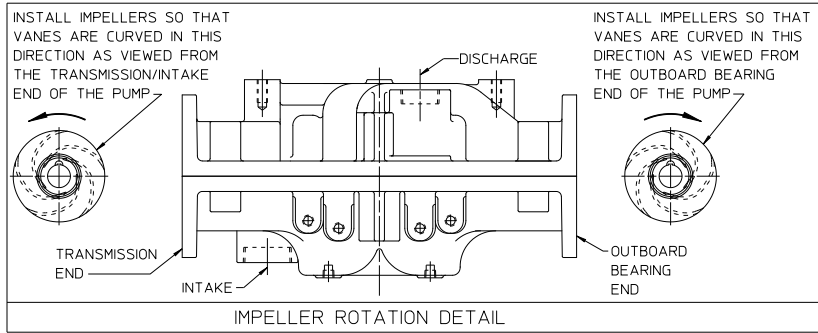


**BODY COMPONENTS**  
CW INPUT ROTATION

## Impeller Shaft Components - CW Input Rotation

REF. NO.	DESCRIPTION
B1	Flinger ring
B2	Lubrication fitting, 1/8 in.
B3	Pipe reducing bushing, Type 1, 1/4 x 1/8 in.
B4	Ball bearing
B5	Outboard bearing housing
B6	Hex hd screw, 1/2-20 x 1-3/4 in.
B7	Hex nut, 1/2-20
B8	Lock washer, 1/2 in.
B9	Impeller, 1st and 4th stage, CCW vane rotation
B10	Impeller, 2 <sup>nd</sup> and 3 <sup>rd</sup> stage, CW vane rotation
B14	Wear ring (std, 0.015 and 0.025 in U/S)
B19	Interstage seal
B20	Spirol pin, medium duty, SS, 1/4 x 1/2 in.

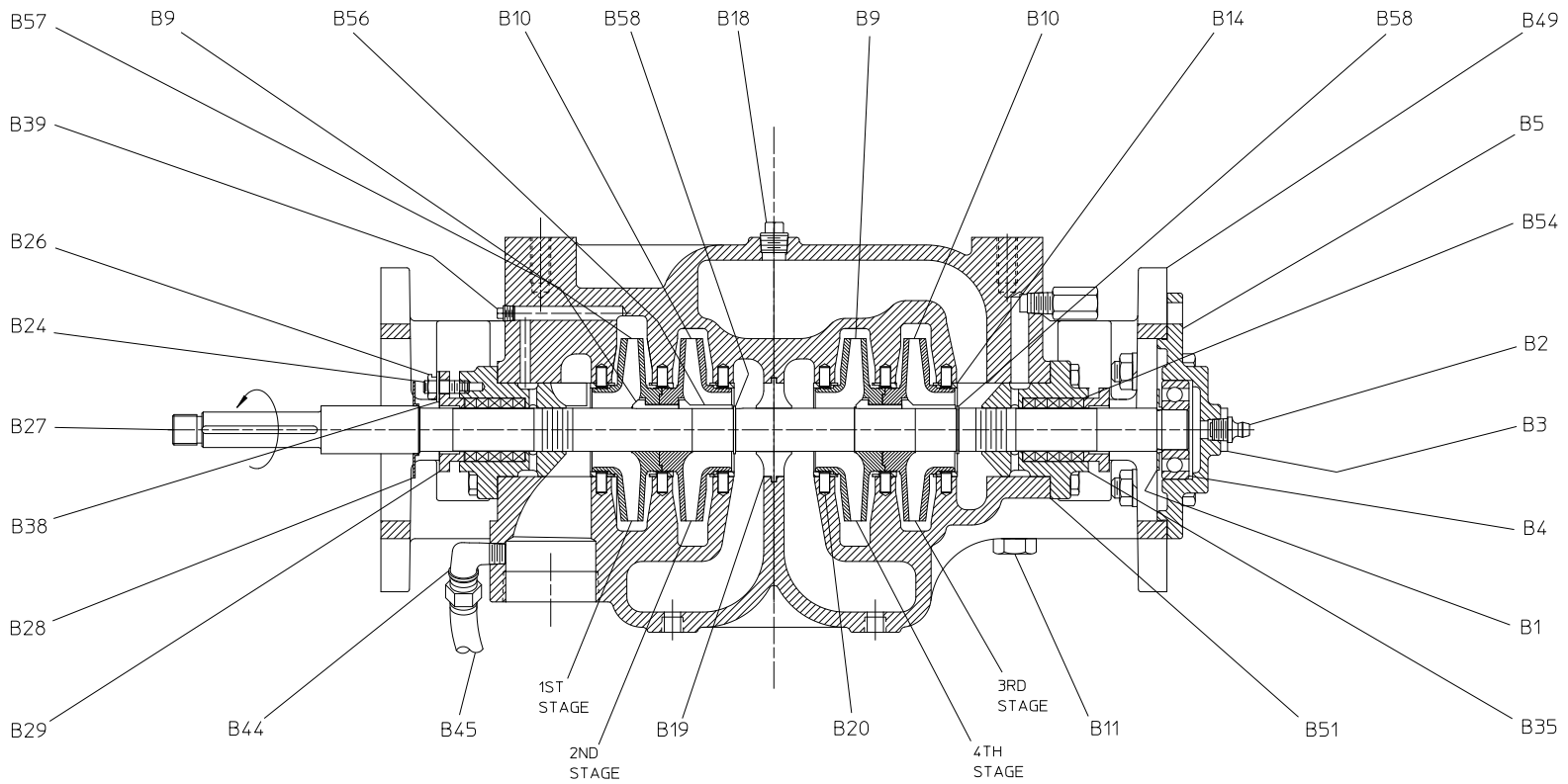
REF. NO.	DESCRIPTION
B22	Impeller key
B24	Packing gland stud
B26	Unbalanced nut
B27	Impeller shaft
B28	Flinger ring
B29	Packing gland
B35	Packing housing
B38	Plain brass washer, 1/4 in.
B51	Seal housing gasket
B52	Hex hd screw, 3/8-16 x 1 in.
B54	Packing kit (BFG)
B56	Impeller key (Used after Jan. 8, 2018)
B57	Impeller key (Used after Jan. 8, 2018)
B58	Retaining ring (Used after Jan. 8, 2018)



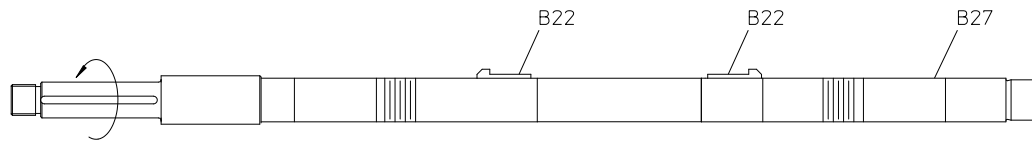
## Cross-Section View - CW Input Rotation

REF. NO.	DESCRIPTION
B1	Flinger ring
B2	Lubrication fitting, 1/8 in.
B3	Pipe reducing bushing, Type 1, 1/4 x 1/8 in.
B4	Ball bearing
B5	Outboard bearing housing
B9	Impeller, 1st and 4th stage, CCW vane rotation
B10	Impeller, 2 <sup>nd</sup> and 3rd stage, CW vane rotation
B11	Hex hd screw, high strength, 5/8-11 x 3-1/2 in.
B14	Wear ring (std, 0.015 and 0.025 in U/S)
B18	Sq hd pipe plug, 3/8 in.
B19	Interstage seal
B20	Spirol pin, medium duty, SS, 1/4 x 1/2 in.
B22	Impeller key
B24	Packing gland stud
B26	Unbalanced nut

REF. NO.	DESCRIPTION
B27	Impeller shaft
B28	Flinger ring
B29	Packing gland
B35	Packing housing
B38	Plain brass washer, 1/4 in.
B39	Sq hd pipe plug, 1/8 in.
B44	Street elbow, 90°, 1/4 in.
B45	Hose
B49	Body subassembly, includes upper and lower body halves and B13 dowel pins.
B51	Seal housing gasket
B54	Packing kit (BFG)
B56	Impeller key (Used after Jan. 8, 2018)
B57	Impeller key (Used after Jan. 8, 2018)
B58	Retaining ring (Used after Jan. 8, 2018)



CONFIGURATION AFTER JANUARY 8, 2018



CONFIGURATION BEFORE JANUARY 8, 2018  
REF NO'S B56, B57 AND B58 NOT USED

**CROSS-SECTION VIEW**  
CW INPUT ROTATION

## Body Components - CCW Input Rotation

REF. NO.	DESCRIPTION
B11	Hex hd screw, high strength, 5/8-11 x 3-1/2 in.
B13	Dowel pin, 3/8 x 1-1/2 in.
B15	Hex hd screw, high strength, 5/8-18 x 2-1/4 in.
B16	Hex nut, 5/8-18
B18	Sq hd pipe plug, 3/8 in.
B39	Sq hd pipe plug, 1/8 in.
B40	Hex socket hd screw, high strength, 5/8-18 x 2-1/2 in.
B43	Union adapter, 90°, 1/4 in.

REF. NO.	DESCRIPTION
B44	Street elbow, 90°, 1/4 in.
B45	Hose
B46	Copper washer, 5/8 in.
B47	Hex hd screw, 5/8-11 x 3-1/2 in.
B48	Hex hd screw, 5/8-11 x 4 in.
B49	Body subassembly, includes upper and lower body halves and B13 dowel pins.
B53	Body gasket
B55	Adapter swivel, 45°, 1/4 NPT x 1/4 NPSM

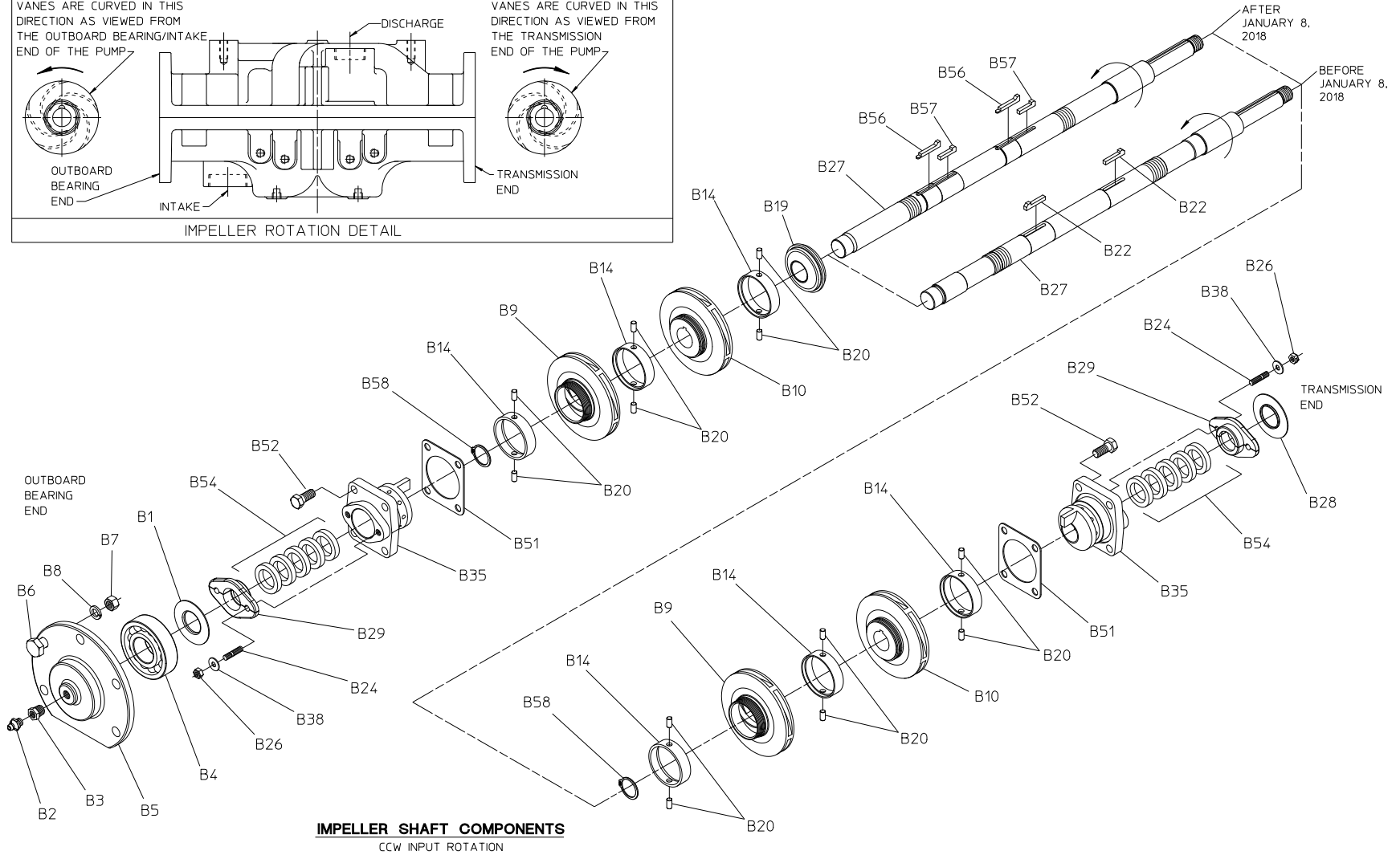
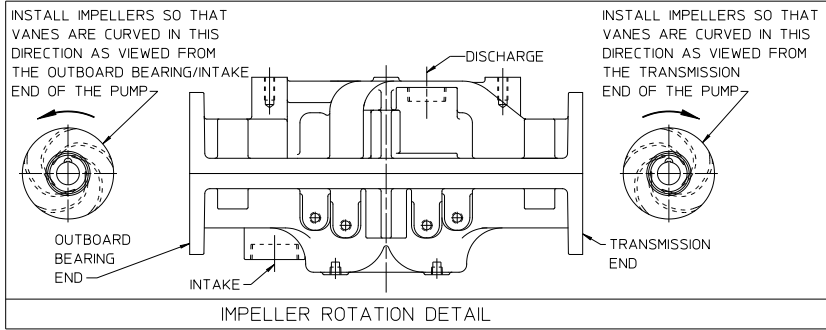




## Impeller Shaft Components - CCW Input Rotation

REF. NO.	DESCRIPTION
B1	Flinger ring
B2	Lubrication fitting, 1/8 in.
B3	Pipe reducing bushing, Type 1, 1/4 x 1/8 in.
B4	Ball bearing
B5	Outboard bearing housing
B6	Hex hd screw, 1/2-20 x 1-3/4 in.
B7	Hex nut, 1/2-20
B8	Lock washer, 1/2 in.
B9	Impeller, 1st and 4th stage, CCW vane rotation
B10	Impeller, 2 <sup>nd</sup> and 3 <sup>rd</sup> stage, CW vane rotation
B14	Wear ring (std, 0.015 and 0.025 in U/S)
B19	Interstage seal
B20	Spirol pin, medium duty, SS, 1/4 x 1/2 in.

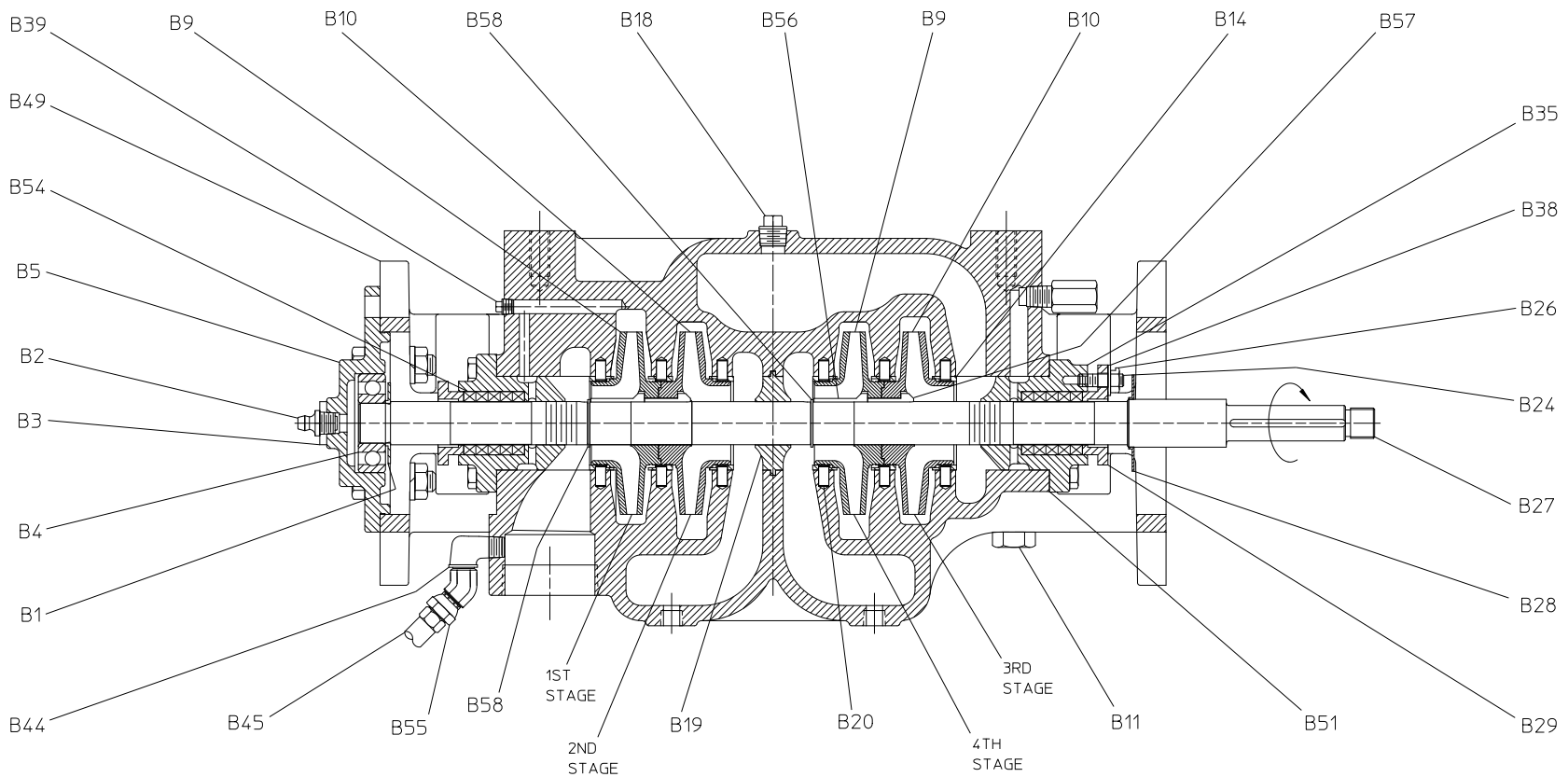
REF. NO.	DESCRIPTION
B22	Impeller key
B24	Packing gland stud
B26	Unbalanced nut
B27	Impeller shaft
B28	Flinger ring
B29	Packing gland
B35	Packing housing
B38	Plain brass washer, 1/4 in.
B51	Seal housing gasket
B52	Hex hd screw, 3/8-16 x 1 in.
B54	Packing kit (BFG)
B56	Impeller key (Used after Jan. 8, 2018)
B57	Impeller key (Used after Jan. 8, 2018)
B58	Retaining ring (Used after Jan. 8, 2018)



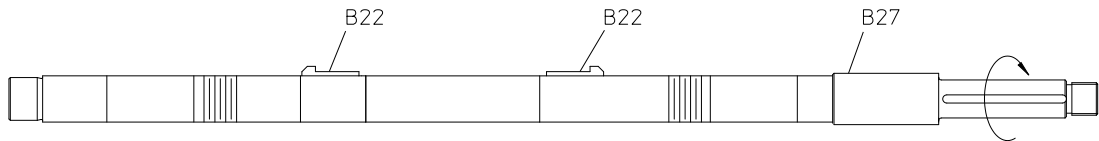
## Cross-Section View - CCW Input Rotation

REF. NO.	DESCRIPTION
B1	Flinger ring
B2	Lubrication fitting, 1/8 in.
B3	Pipe reducing bushing, Type 1, 1/4 x 1/8 in.
B4	Ball bearing
B5	Outboard bearing housing
B9	Impeller, 1st and 4th stage, CCW vane rotation
B10	Impeller, 2nd and 3rd stage, CW vane rotation
B11	Hex hd screw, high strength, 5/8-11 x 3-1/2 in.
B14	Wear ring (std, 0.015 and 0.025 in U/S)
B18	Sq hd pipe plug, 3/8 in.
B19	Interstage seal
B20	Spirol pin, medium duty, SS, 1/4 x 1/2 in.
B22	Impeller key
B24	Packing gland stud
B26	Unbalanced nut
B27	Impeller shaft

REF. NO.	DESCRIPTION
B28	Flinger ring
B29	Packing gland
B35	Packing housing
B38	Plain brass washer, 1/4 in.
B39	Sq hd pipe plug, 1/8 in.
B44	Street elbow, 90°, 1/4 in.
B45	Hose
B49	Body subassembly, includes upper and lower body halves and B13 dowel pins.
B51	Seal housing gasket
B54	Packing kit (BFG)
B55	Adapter swivel, 45°, 1/4 NPT x 1/4 NPSM
B56	Impeller key (Used after Jan. 8, 2018)
B57	Impeller key (Used after Jan. 8, 2018)
B58	Retaining ring (Used after Jan. 8, 2018)



CONFIGURATION AFTER JANUARY 8, 2018



CONFIGURATION BEFORE JANUARY 8, 2018  
REF NO'S B56, B57 AND B58 NOT USED

**CROSS-SECTION VIEW**  
CCW INPUT ROTATION