



Document Number	Issue Date	Rev. Date
SPL 83285	05/01/13	06/26/13

RF600 Series Impeller Shaft Service Parts List

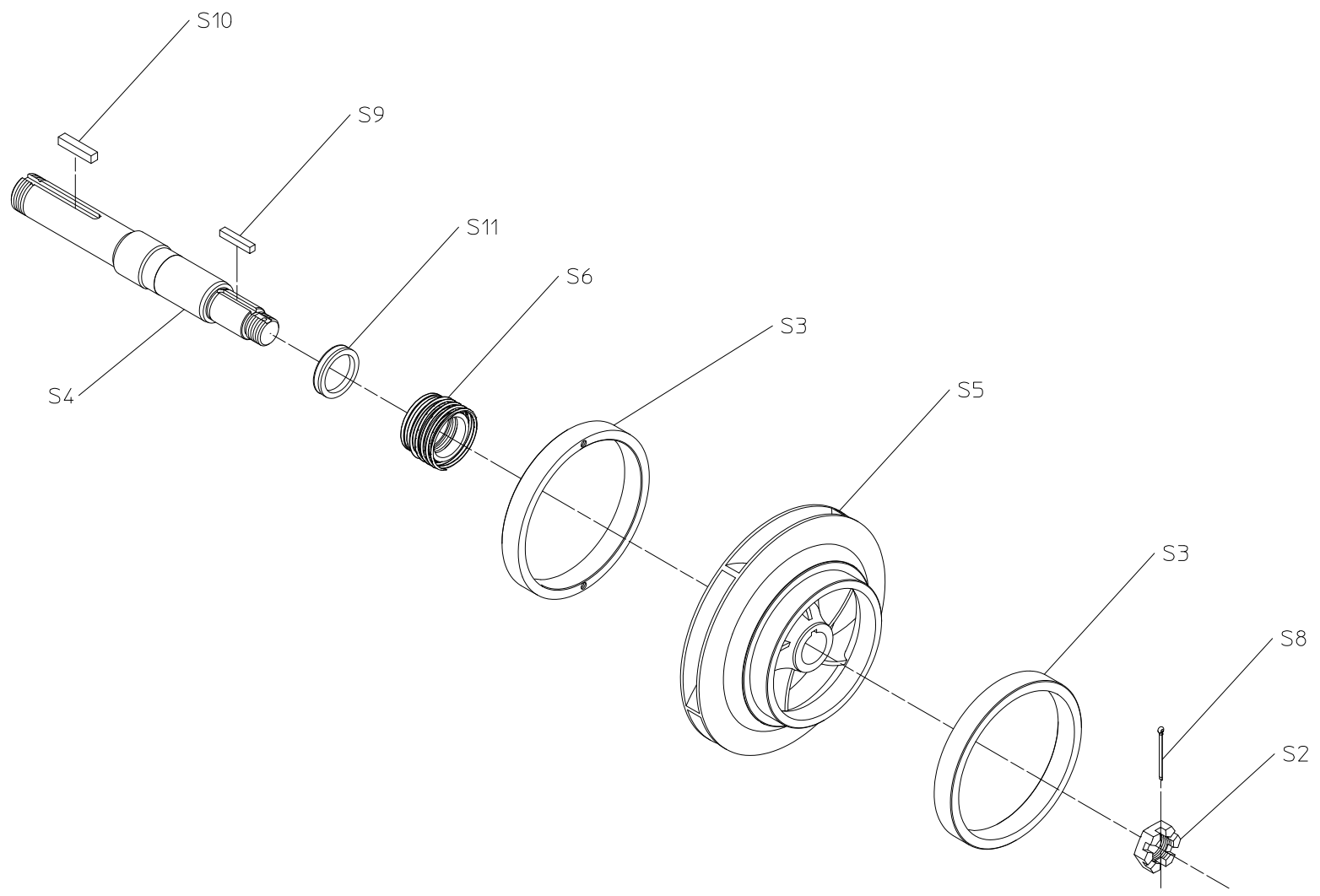
Index:

Model	See Page	
	Exploded View	Cross Section View
RF600T	2, 3	4, 5

Exploded View

REF. NO.	DESCRIPTION
S2	Impeller Nut
S3	Wear Ring
S4	Impeller Shaft
S5	Impeller

REF. NO.	DESCRIPTION
S6	Mechanical Seal Kit
S8	Cotter Pin, 1/8 x 1-3/4 in.
S9	Square Key, .250 x 1-7/16 in.
S10	Square Key, .313 x 1-9/16 in.
S11	Flinger Ring

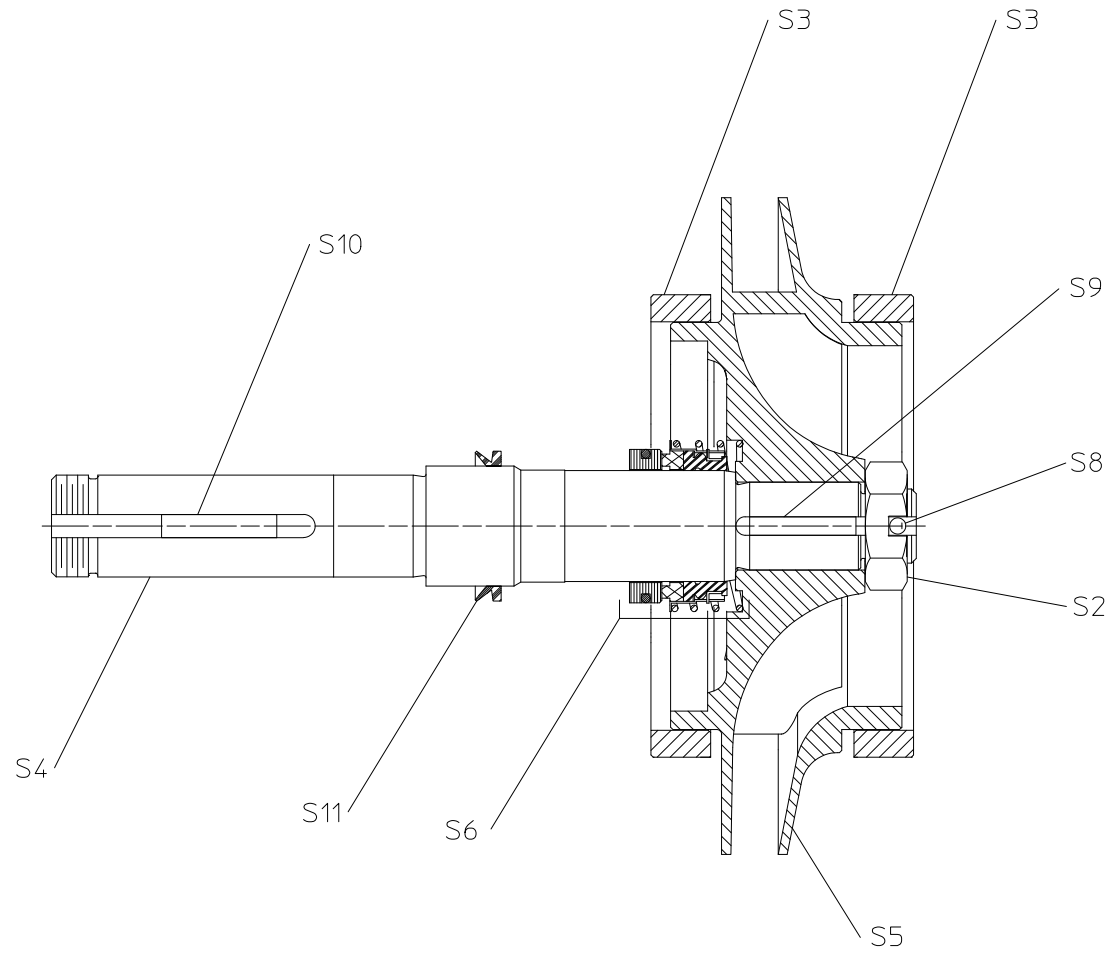


IMPELLER SHAFT ASSEMBLY

Cross Section View

REF. NO.	DESCRIPTION
S2	Impeller Nut
S3	Wear Ring
S4	Impeller Shaft
S5	Impeller

REF. NO.	DESCRIPTION
S6	Mechanical Seal Kit
S8	Cotter Pin, 1/8 x 1-3/4 in.
S9	Square Key, .250 x 1-7/16 in.
S10	Square Key, .313 x 1-9/16 in.
S11	Flinger Ring



IMPELLER SHAFT ASSEMBLY