

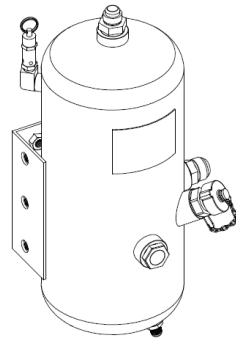


Document Number <b>SPL83293</b>	Issue Date <b>11/18/13</b>	Rev. Date <b>9/21/16</b>
------------------------------------	-------------------------------	-----------------------------

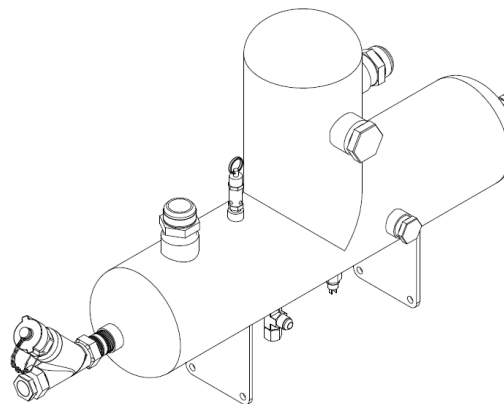
## Sump Service Parts List

Index:

Model				See Page		
PTO Kits		PTO Systems		Vertical Sump	Optional	
Traditional CAFS	Generated CAFS	Traditional CAFS	Generated CAFS		Tee Sump	Sump Vent
80-P	-	-	-	2, 3		
100-B	100-OSB 100-ECLB	250-100-P 500-100-P 750-100-P 1000-100-P 1250-100-P 250-120-P 500-120-P	-	4, 5	-	12, 13
140-P	-	-	-	6, 7		
200-P	150-OS 150-ECL	500-150-P 750-150-P 1000-150-P 1250-150-P	750-150-OS 1000-150-OS 1250-150-OS 750-150-ECL 1000-150-ECL 1250-150-ECL	8, 9	10, 11	



Vertical Sump



Optional Tee Sump

Waterous Company 125 Hardman Avenue South, South St. Paul, Minnesota 55075 USA (651) 450-5000

Note: When ordering parts, provide Pump, Transmission or PTO Serial Number.

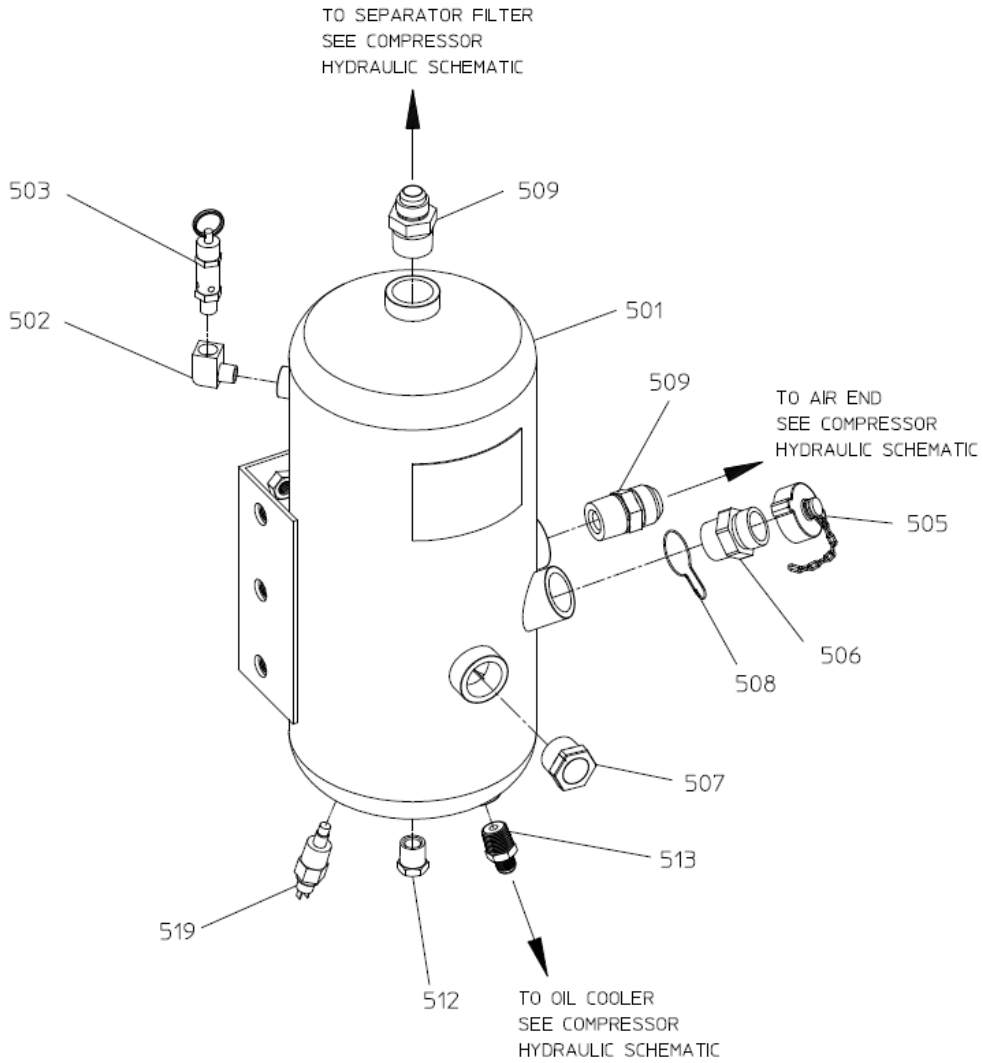
## Vertical Sump Model 80-P

REF. NO.	DESCRIPTION
500	Sump Assembly (Includes 501 thru 513)
501	Vertical Sump, 8 in. Short
502	90 Degree Street Elbow, $\frac{3}{8}$ NPT
503	Pop Off Valve, $\frac{3}{8}$ in.
505	Cap with Chain, 1 in. NPSH
506	Nipple, 1 in. NPT x 1 in. NPSH

REF. NO.	DESCRIPTION
507	Sight Glass, 1 in.
508	Spring Close Oval Loop, 1-3/8 in.
509	Straight Adapter, 16 MJIC x 1 MNPT
512	Hex Head Plug, $\frac{1}{2}$ in NPT
513	Straight Adapter, 6 MJIC x $\frac{1}{2}$ MNPT
519	Temperature Sender

SUMP  
ASSEMBLY

500  
(INCLUDES 501-513)



VERTICAL SUMP  
MODEL 80-P

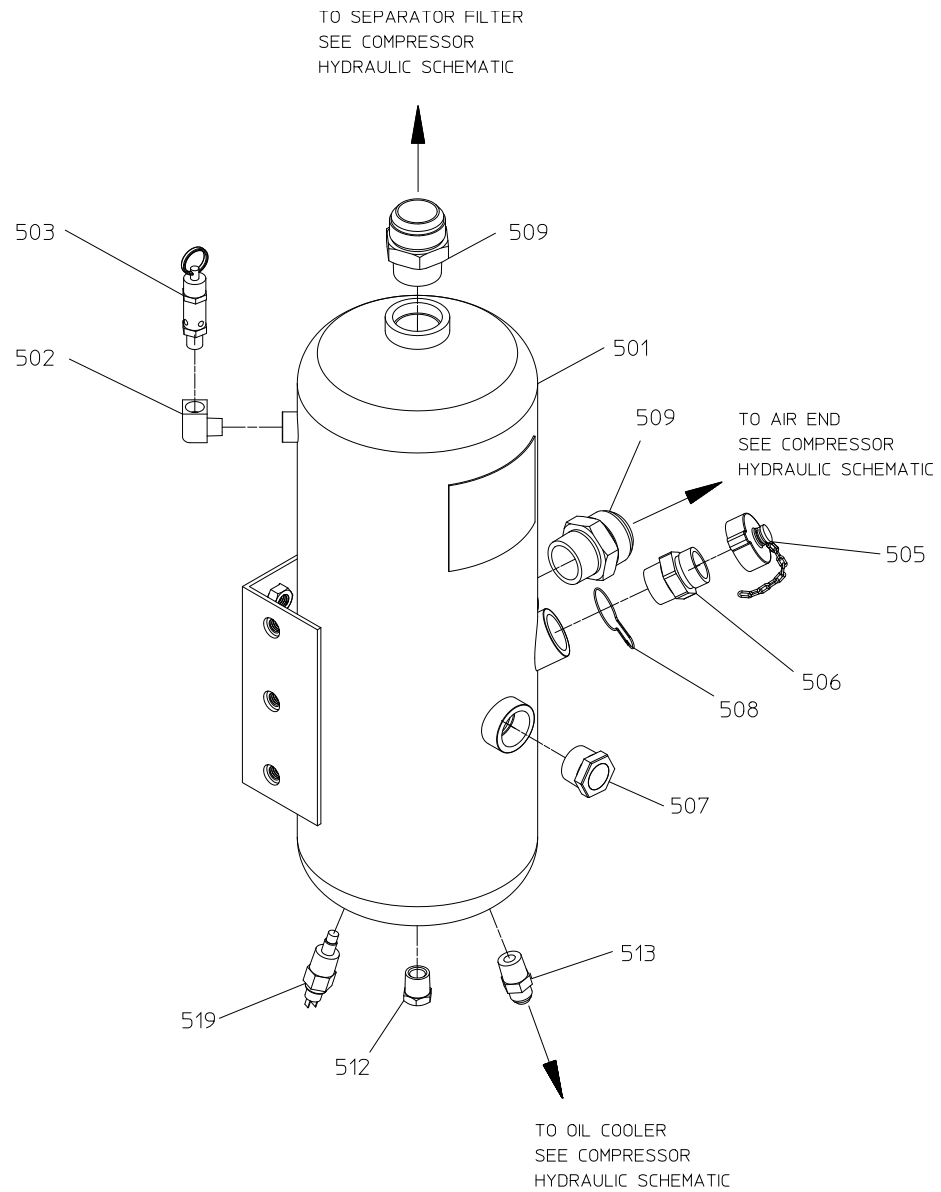
**Vertical Sump – Models 100-B, 100-OSB, 100-ECLB**  
 Models Ending with 100-P, 120-P

REF. NO.	DESCRIPTION
500	Sump Assembly (Includes 501 thru 513)
501	Vertical Sump, 8 in. Long
502	90 Degree Street Elbow, 3/8 NPT
503	Pop Off Valve, 3/8 in.
505	Cap with Chain, 1 in. NPSH
506	Nipple, 1 in. NPT x 1 in. NPSH

REF. NO.	DESCRIPTION
507	Sight Glass, 1 in.
508	Spring Close Oval Loop, 1-3/8 in.
509	Straight Adapter, 16 MJIC x 1-1/4 MNPT
512	Hex Head Plug, 1/2 in NPT
513	Straight Adapter, 8 MJIC x 1/2 MNPT
519	Temperature Sender

SUMP  
ASSEMBLY

500  
(INCLUDES 501-513)



**VERTICAL SUMP**

MODELS 100-B, 100-OSB, 100-ECLB  
MODELS ENDING WITH 100-P, 120-P

# Vertical Sump

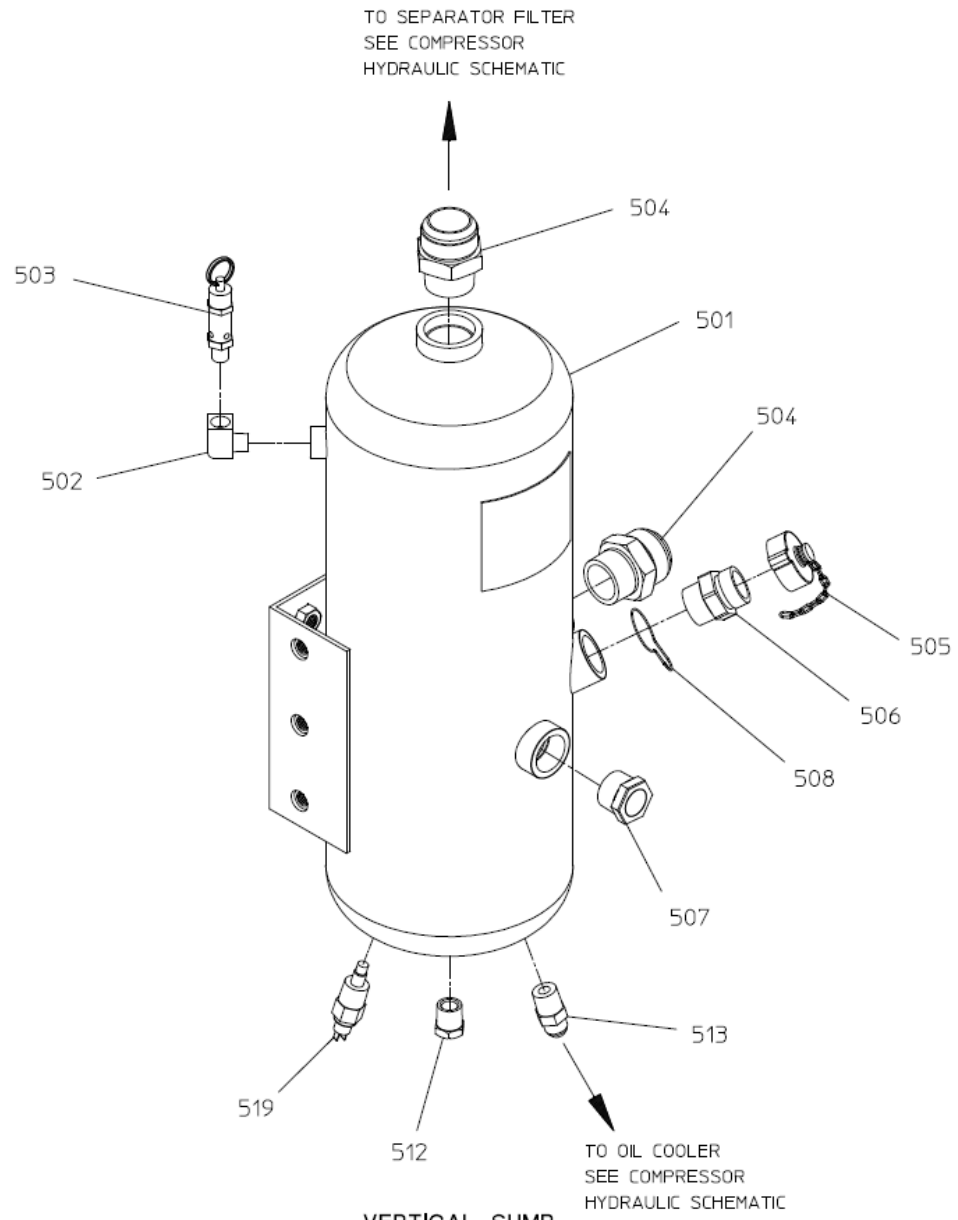
## Model 140-P

REF. NO.	DESCRIPTION
500	Sump Assembly (Includes 501 thru 513)
501	Vertical Sump, 8 in.
502	90 Degree Street Elbow, 3/8 NPT
503	Pop Off Valve, 3/8 in.
504	Straight Adapter, 24 MJIC x 1-1/4 MNPT

REF. NO.	DESCRIPTION
505	Cap with Chain, 1 in. NPSH
506	Nipple, 1 in. NPT x 1 in. NPSH
507	Sight Glass, 1 in.
508	Spring Close Oval Loop, 1-3/8 in.
512	Hex Head Plug, 1/2 in NPT
513	Straight Adapter, 8 MJIC x 1/2 MNPT
519	Temperature Sender

SUMP  
ASSEMBLY

500  
(INCLUDES 501-513)



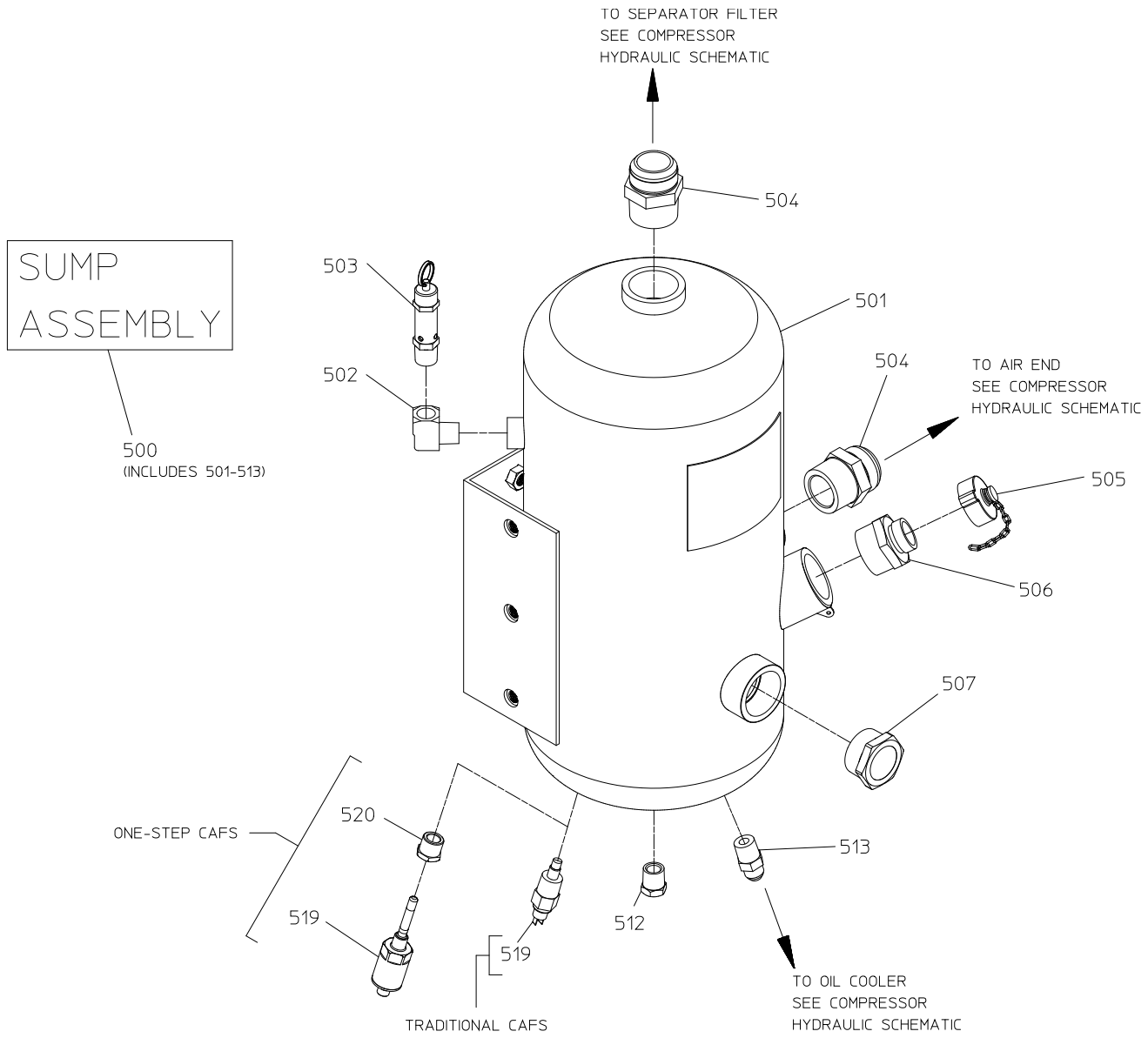
**VERTICAL SUMP**  
MODEL 140-P

**Vertical Sump – Model 200-P**  
 Models Ending with 150-P, 150-OS, 150-ECL

REF. NO.	DESCRIPTION
500	Sump Assembly (Includes 501 thru 513)
501	Vertical Sump, 10 in.
502	90 Degree Street Elbow, ½ NPT
503	Pop Off Valve, ½ in.
504	Straight Adapter, 24 MJIC x 1-1/2 MNPT
505	Cap with Chain, 1 in. NPSH

REF. NO.	DESCRIPTION
506	Nipple, 1-1/2 in. NPT x 1 in. NPSH
507	Sight Glass, 1-1/2 in.
512	Hex Head Plug, ½ in NPT
513	Straight Adapter, 8 MJIC x ½ MNPT
519	Temperature Sender
520	Reducing Bushing, 1/2 MNPT x 1/4 FNPT



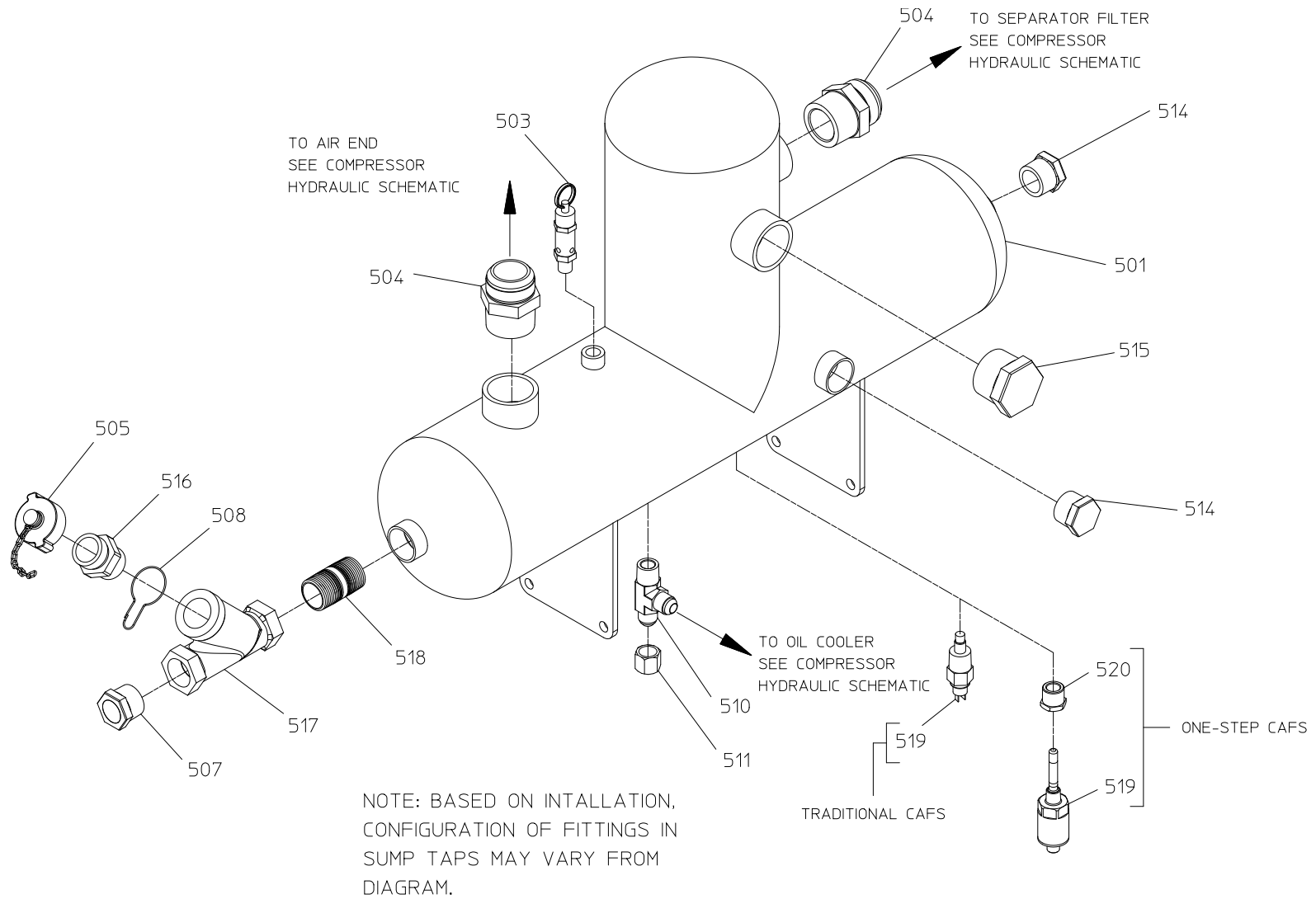


**VERTICAL SUMP**  
 MODELS 200-P, 150-OS  
 MODELS ENDING WITH 150-P, 150-OS, 150-ECL

**Tee Sump – Models 140-P, 200-P, 150-OS, 150-ECL**  
 Models Ending with 150-P, 150-OS, 150-ECL

REF. NO.	DESCRIPTION
501	Tee Sump
503	Pop Off Valve, 3/8 in.
504	Straight Adapter, 24 MJIC x 1-1/2 MNPT
505	Cap with Chain, 1 in. NPSH
507	Sight Glass, 1 in.
508	Spring Close Oval Loop, 1-3/8 in.
510	Tee, 8 MJIC x 8 MJIC x 1/2 MNPT
511	Cap, 8 FJIC

REF. NO.	DESCRIPTION
514	Hex Head Plug, 1 in. NPT
515	Hex Head Plug, 1-1/2 in. NPT
516	Nipple, 1 in. NPT x 1 in. NPSH
517	Branch Wye, 1 in. FNPT
518	Close Pipe Nipple, 1 in. NPT (Brass)
519	Temperature Sender
520	Reducing Bushing, 1/2 MNPT x 1/4 FNPT



**TEE SUMP**

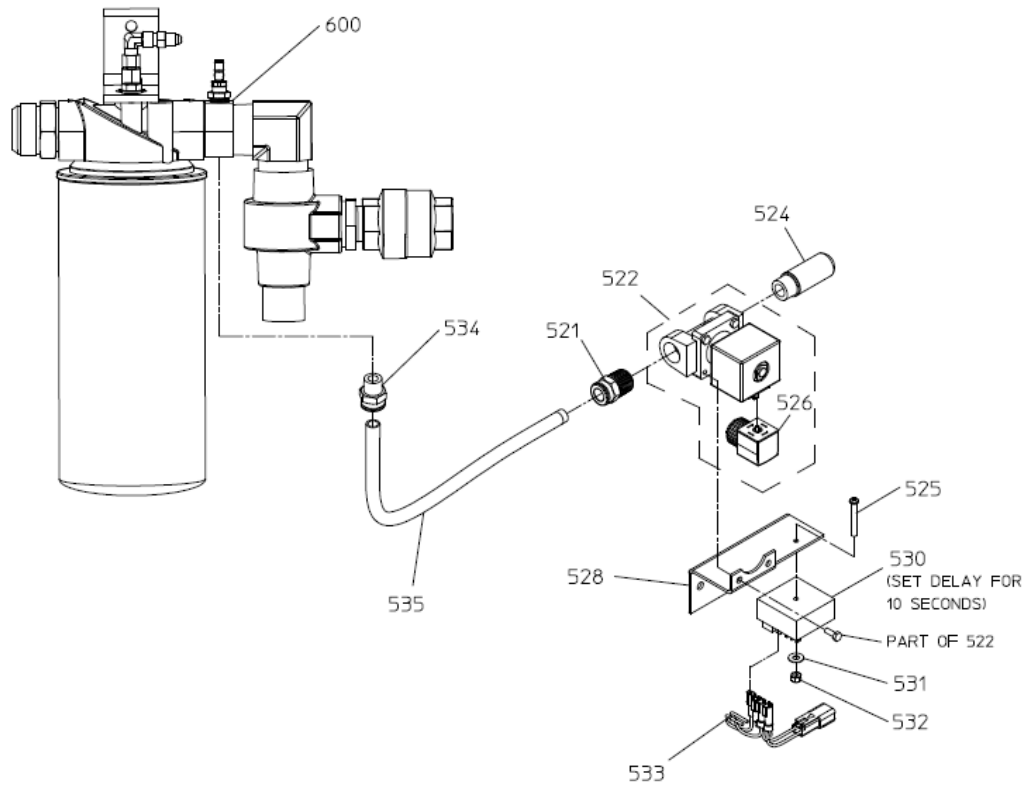
MODELS 140-P, 200-P, 150-OS, 150-ECL  
MODELS ENDING WITH 150-P, 150-OS, 150-ECL

## Sump Vent

All Models

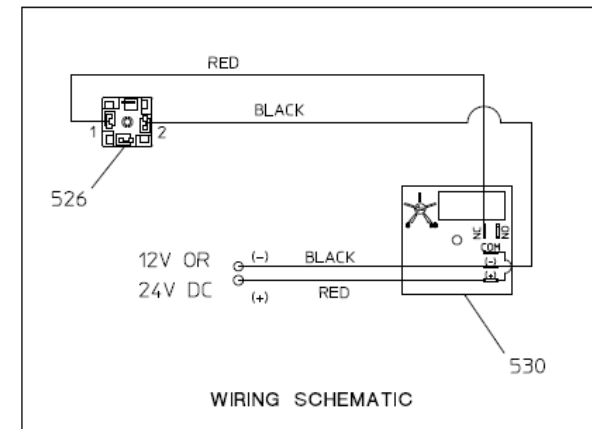
REF. NO.	DESCRIPTION
520	Sump Vent Assembly (Includes 521 thru 533)
521	Straight Adapter, ½ AB x ½ MNPT
522	2-Way Solenoid Valve, ½ in. (Includes 526)
524	Muffler, ½ MNPT
525	Pan Head Screw, No. 8-32 x 1-1/2 in.
526	Solenoid Cable Plug (Includes Mounting Screw and Gasket)
528	Solenoid Mounting Bracket

REF. NO.	DESCRIPTION
530	Time Delay Relay
531	Flat Washer, No. 8
532	Nylok Hex Nut, No. 8-32
533	Sump Vent Wire Assembly
534	Straight Adapter, ½ AB x ¾ MNPT
535	Red Air Brake Tubing, ½ in. (Cut to Suit Installation)
600	See Separator Filter Service Parts List



SUMP  
VENT  
ASS'Y

520  
(INCLUDES 521-533)



SUMP VENT