



Document Number <b>SPL83334</b>	Issue Date <b>06/27/14</b>	Rev. Date <b>5/14/18</b>
------------------------------------	-------------------------------	-----------------------------

# CRU-2 Series Pump Body Service Parts Lists

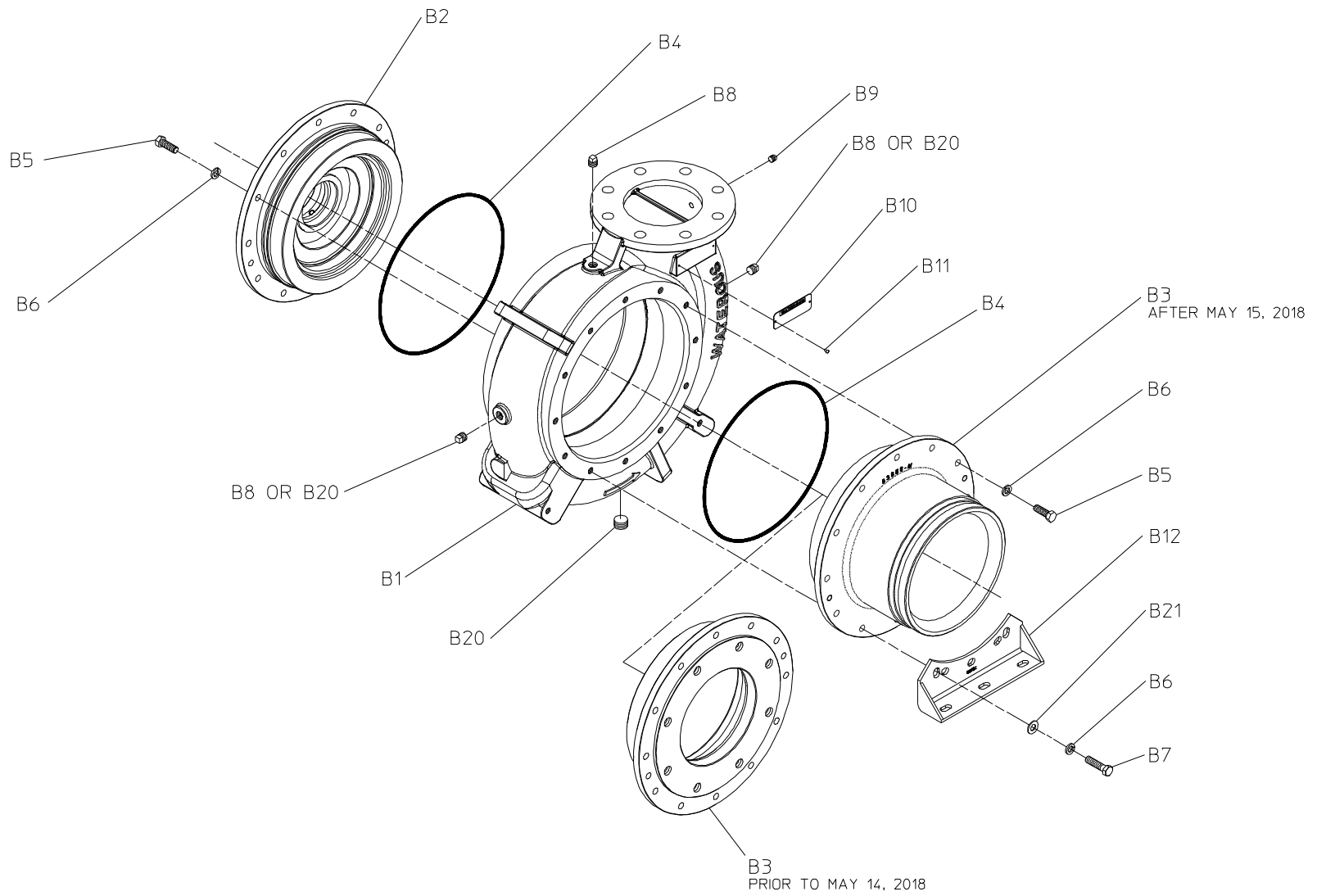
## Index:

<b>Pump Model</b>	<b>See Page</b>
CRUC21-2 and CRUQC-2	2, 3
CRU-2 (Direct Drive)	4, 5

### Pump Models CRUC21-2 and CRUQC-2

REF NO.	DESCRIPTION
B1	Volute Body (Includes B10 serial plate and B11 drive screws (qty of 2))
B2	Pump Head, (Includes S3 wear ring from impeller shaft assembly)
B3	Intake Adapter (Includes S3 wear ring from impeller shaft assembly)
B4	O-ring, 12 x 12-3/8 in.
B5	Hex Hd Screw, 1/2-13 x 1-1/2 in.

REF NO.	DESCRIPTION
B6	Lock Washer, 1/2 in.
B7	Hex Hd Screw, 1/2-13 x 2 in.
B8	Pipe Plug, 3/8 in.
B9	Pipe Plug, 1/4 in.
B10	Serial Plate
B11	Drive Screw, #6 x 1/4 in.
B12	Bracket
B20	Pipe Plug, 3/4 in.
B21	Plain Washer, 1/2 in.

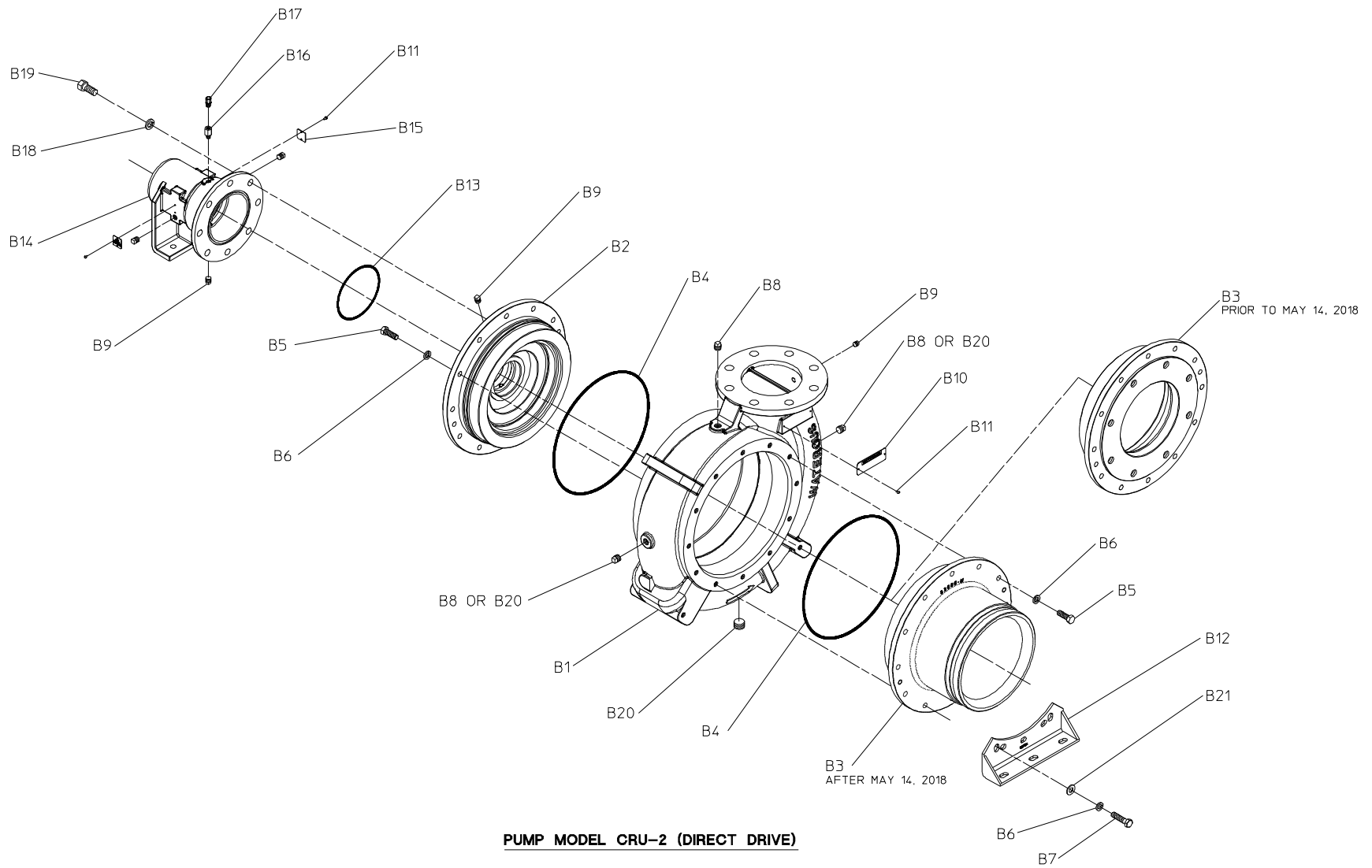


**PUMP MODELS CRUC21-2 AND CRUQC-2**

### Pump Model CRU-2 (Direct Drive)

REF NO.	DESCRIPTION
B1	Volute Body (Includes B10 serial plate and B11 drive screws (qty of 2))
B2	Pump Head, (Includes S3 wear ring from impeller shaft assembly)
B3	Intake Adapter (Includes S3 wear ring from impeller shaft assembly)
B4	O-ring, 12 x 12-3/8 in.
B5	Hex Hd Screw, 1/2-13 x 1-1/2 in.
B6	Lock Washer, 1/2 in.
B7	Hex Hd Screw, 1/2-13 x 2 in.
B8	Pipe Plug, 3/8 in.
B9	Pipe Plug, 1/4 in.

REF NO.	DESCRIPTION
B10	Serial Plate
B11	Drive Screw, #6 x 1/4 in
B12	Bracket
B13	O-ring, 5-5/8 x 5-7/8 in.
B14	Bearing Housing
B15	Oil Level Plate
B16	Snubber
B17	Breather
B18	Lock Washer, 5/8 in.
B19	Hex Hd Screw, 5/8-11 x 1-1/2 in.
B20	Pipe Plug, 3/4 in.
B21	Plain Washer, 1/2 in.



**PUMP MODEL CRU-2 (DIRECT DRIVE)**