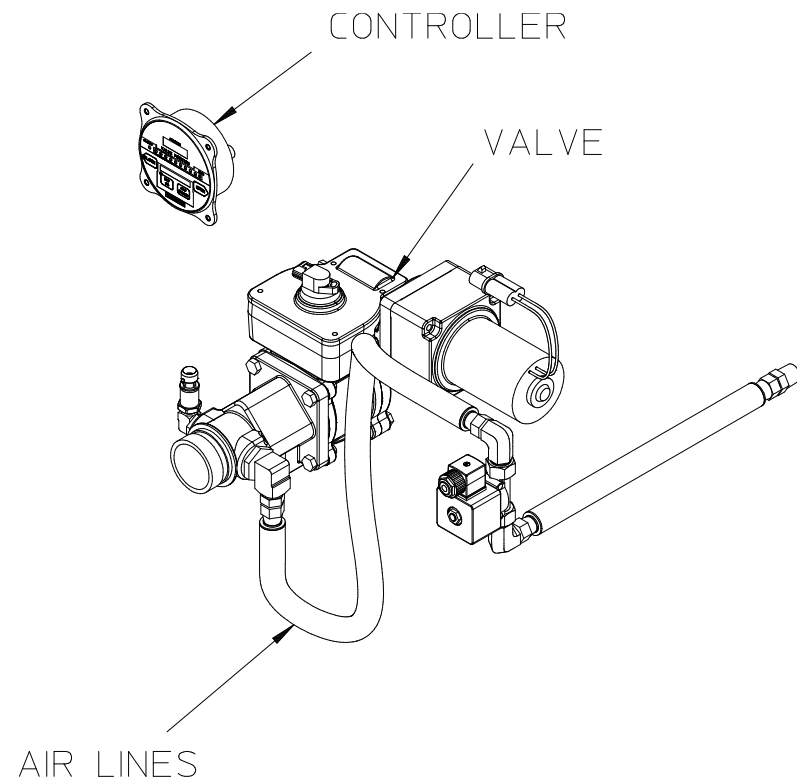




Document Number	Issue Date	Rev. Date
<b>SPL83371</b>	<b>02/12/14</b>	<b>6/22/18</b>

## ICS Valve Service Parts List



### Index:

Component		See Pages	
		1.5 or 2.0 in. Valve	2.5 or 3.0 in. Valve
Valve		2, 3	2, 3
Air Line	Without Throttle Valve	4, 5	6, 7
	With Throttle Valve	8, 9	10, 11
Controller and Cables		12, 13	12, 13
Optional Manifold		14, 15	

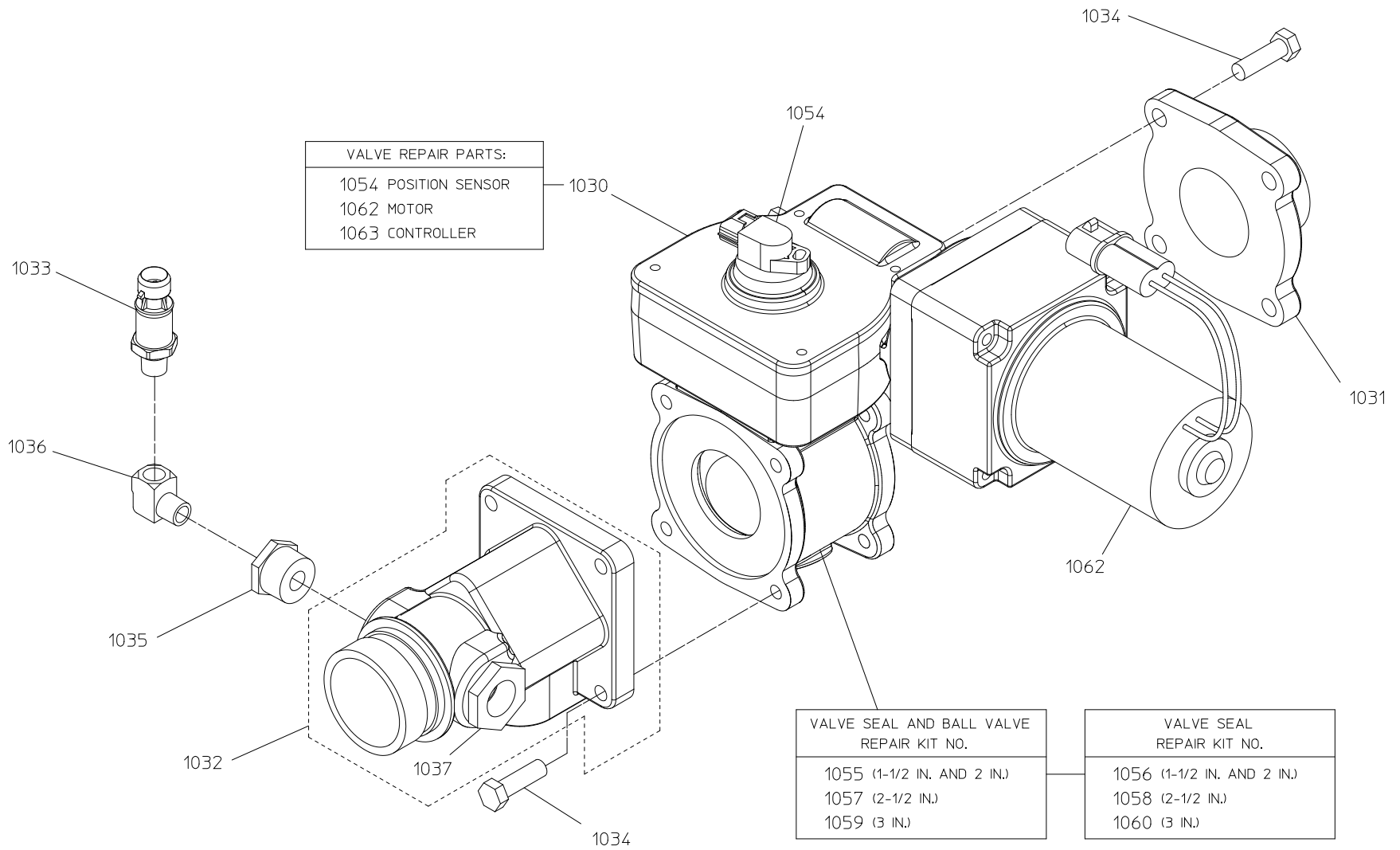
Waterous Company 125 Hardman Avenue South, South St. Paul, Minnesota 55075 USA (651) 450-5000

NOTE: When ordering parts, provide Pump, Transmission or PTO Serial Number.

## Valve

REF. NO.	DESCRIPTION
1030	Electric Unibody Ball Valve
1031	Threaded Flange
1032	Check Valve (Includes 1037)
1033	Pressure Sensor
1034	Hex Head Screw, $\frac{3}{8}$ -16 x 1-1/4 in.
1035	Reducing Bushing, 1 MNPT x $\frac{1}{4}$ FNPT
1036	90 Degree Street Elbow, $\frac{1}{4}$ NPT
1037	Bushing Check Valve, 1 x $\frac{1}{2}$ NPT

REF. NO.	DESCRIPTION
1054	Position Sensor
1055	Valve Seal & Ball Valve Repair Kit
1056	Valve Seal Repair Kit
1062	Valve Motor
1063	Valve Controller



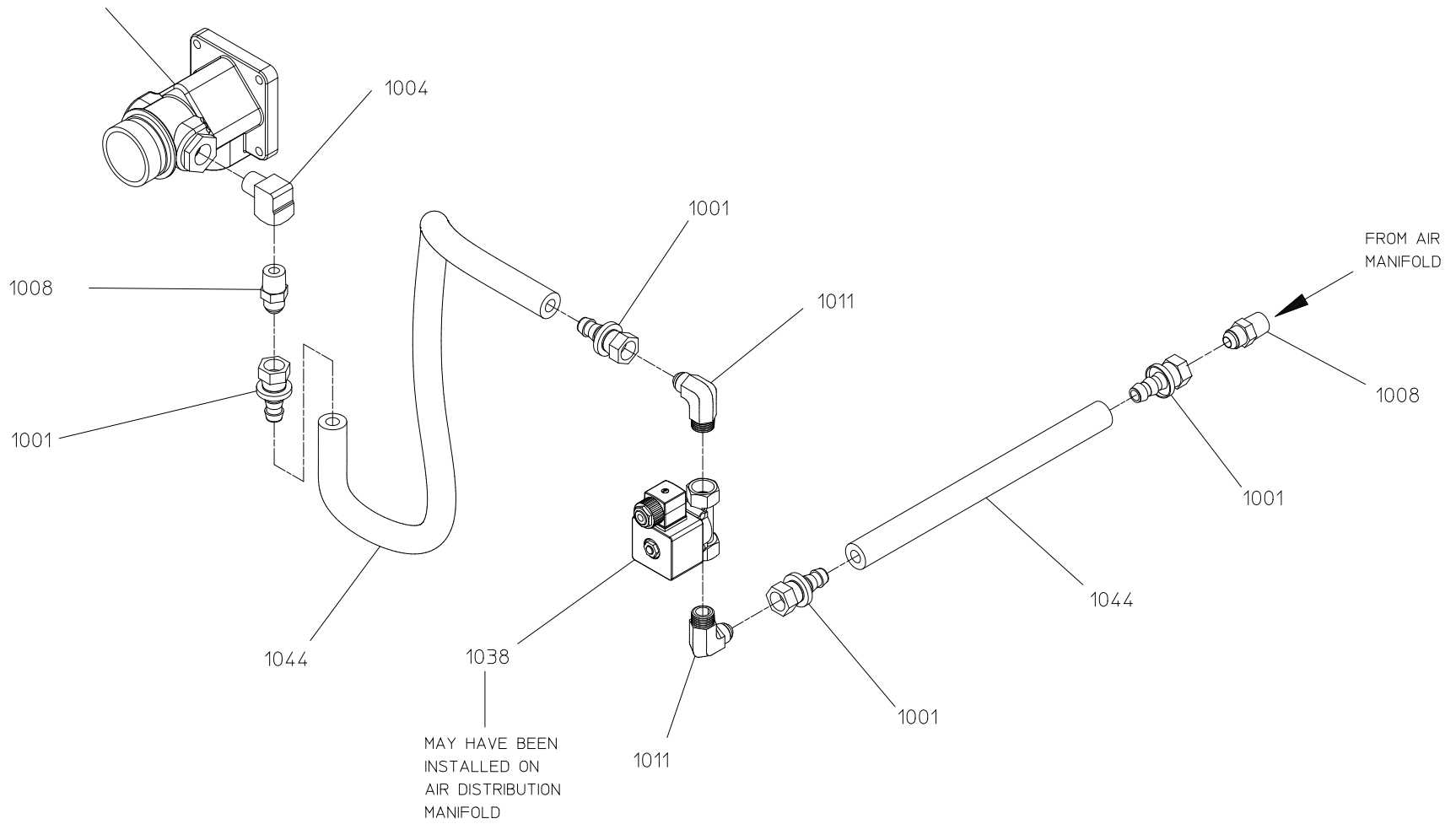
**VALVE**

**Air Line**  
**1.5 or 2.0 in. Valve**  
**Without Throttle Valve**

<b>REF. NO.</b>	<b>DESCRIPTION</b>
1001	Hose Barb, 8 FJIC x ½ in.
1004	90 Degree Street Elbow, ½ NPT
1008	Straight Adapter, 8 MJIC x ½ MNPT

<b>REF. NO.</b>	<b>DESCRIPTION</b>
1011	90 Degree Elbow, 8 MJIC x ½ MNPT
1038	Electric Solenoid Valve, ½ in.
1044	Hose, ½ in. (Specify Color) (Cut to Suit Installation)

SEE PAGE 3



**AIR LINE**

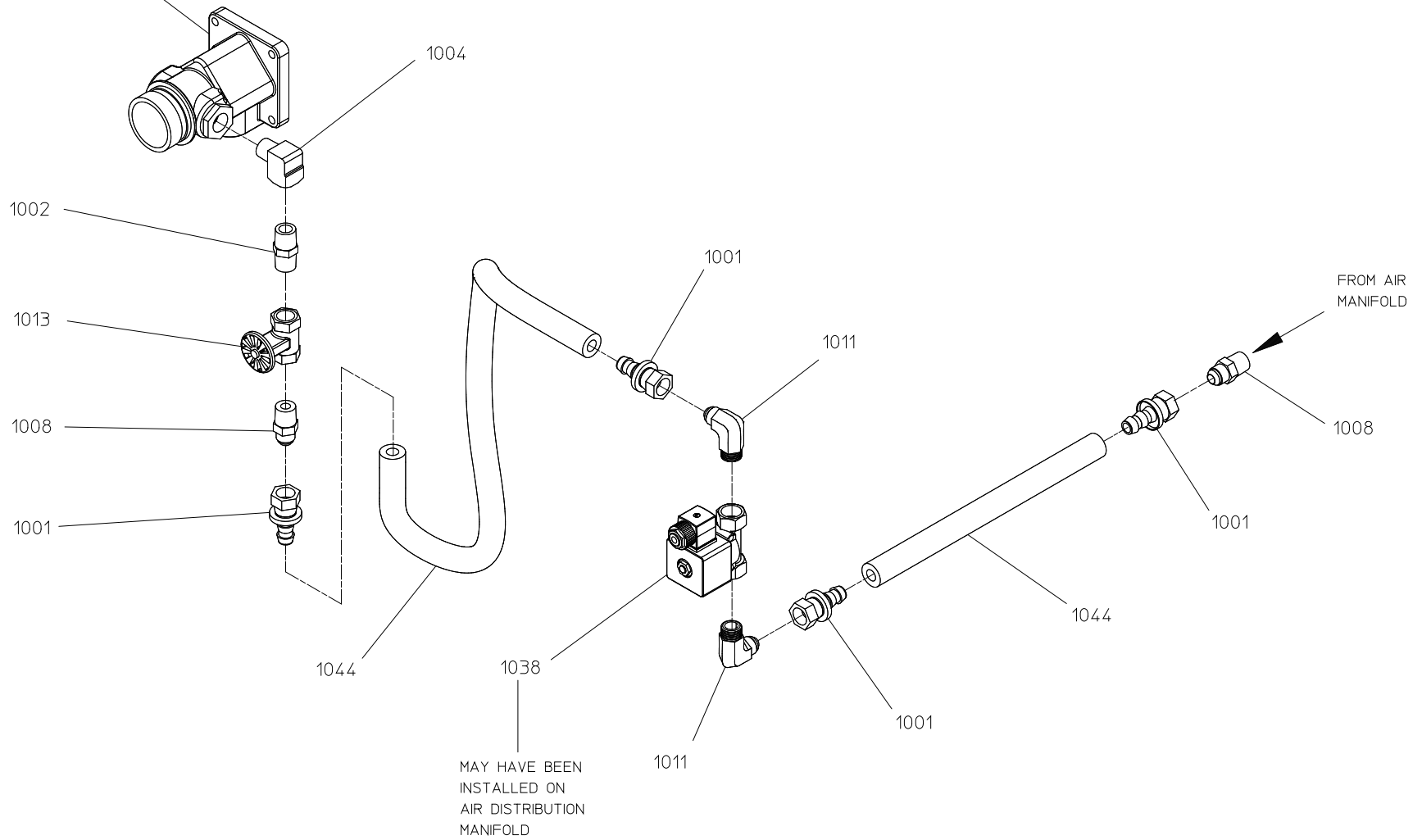
1.5 OR 2.0 INCH VALVE  
WITHOUT THROTTLE VALVE

**Air Line  
1.5 or 2.0 in. Valve  
With Throttle Valve**

REF. NO.	DESCRIPTION
1001	Hose Barb, 8 FJIC x ½ in.
1002	Hex Nipple, ½ MNPT
1004	90 Degree Street Elbow, ½ NPT
1008	Straight Adapter, 8 MJIC x ½ MNPT
1011	90 Degree Elbow, 8 MJIC x ½ MNPT

REF. NO.	DESCRIPTION
1013	Gate Valve, ½ in.
1038	Electric Solenoid Valve, ½ in.
1044	Hose, ½ in. (Specify Color) (Cut to Suit Installation)

SEE PAGE 3



**AIR LINE**

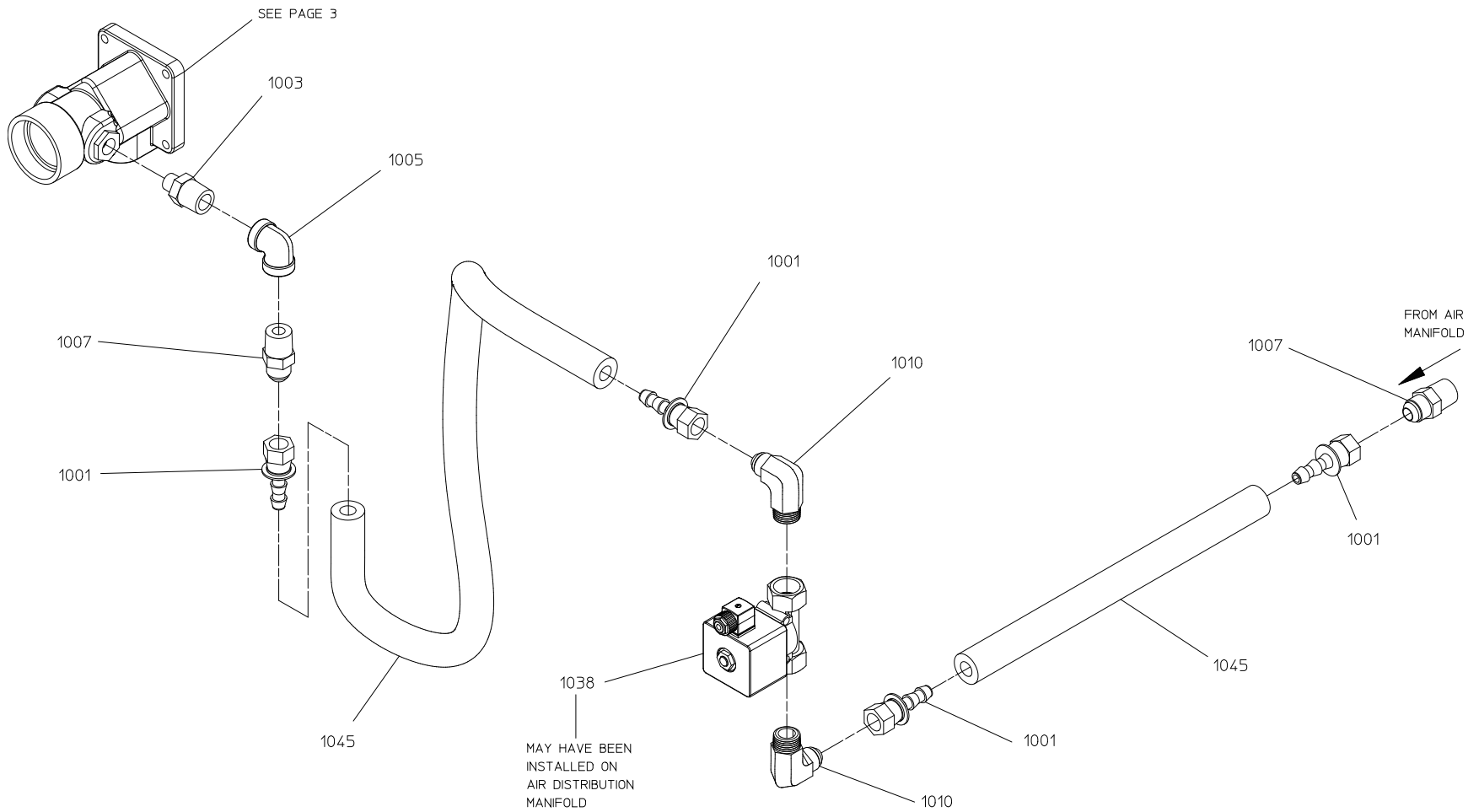
1.5 OR 2.0 INCH VALVE  
WITH THROTTLE VALVE

**Air Line  
2.5 and 3.0 in. Valves  
Without Throttle Valve**

REF. NO.	DESCRIPTION
1001	Hose Barb, 12 FJIC x 3/4 in.
1003	Hex Nipple, 1/2 x 3/4 MNPT
1005	90 Degree Male Elbow, 3/4 FNPT
1007	Straight Adapter, 12 FJIC x 3/4 MNPT
1010	90 Degree Elbow, 12 MJIC x 3/4 MNPT

REF. NO.	DESCRIPTION
1038	Electric Solenoid Valve, 3/4 in.
1045	Black Hose, 3/4 in. (Cut to Suit Installation)



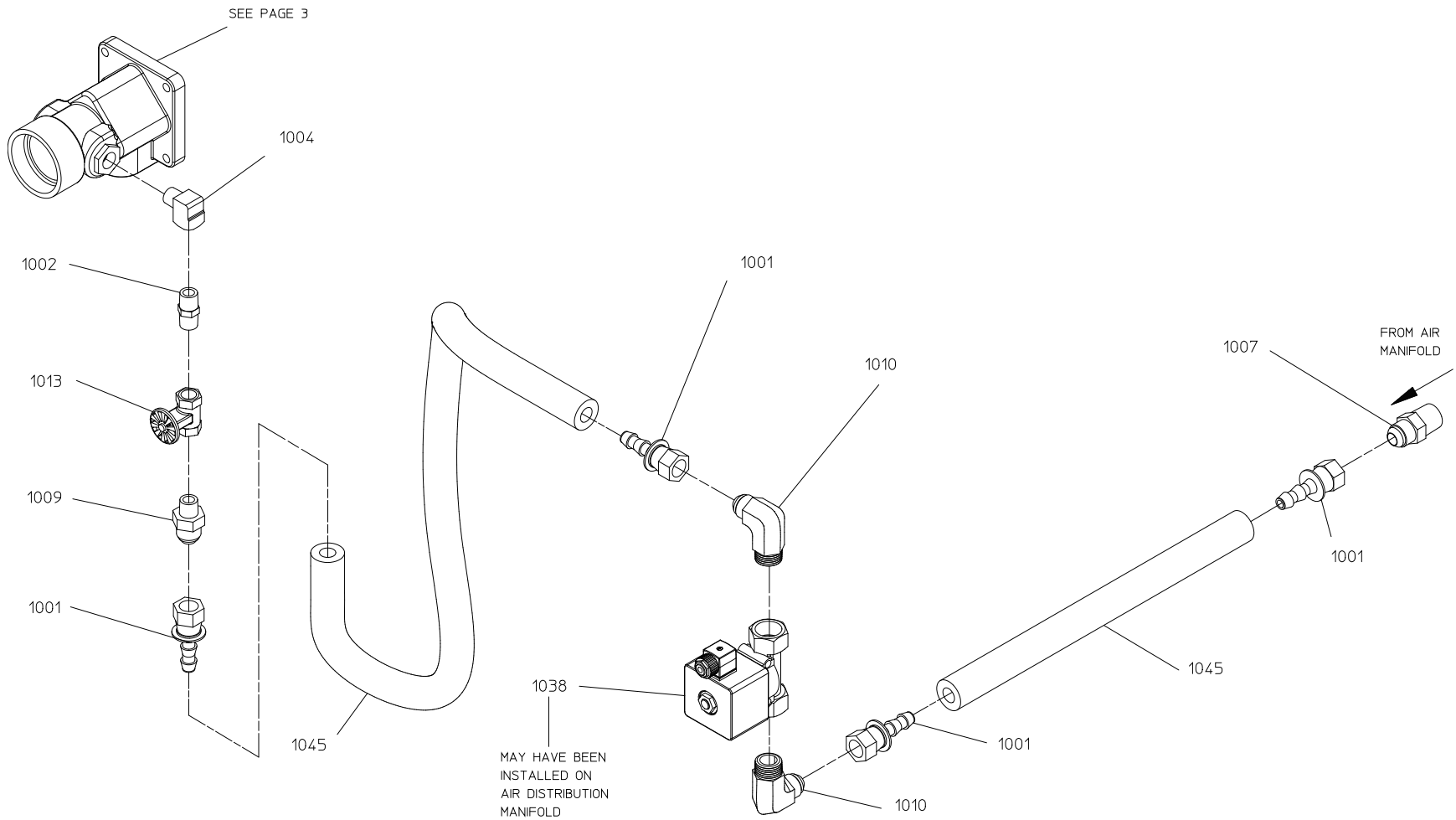


**AIR LINE**  
 2.5 3.0 INCH VALVE  
 WITHOUT THROTTLE VALVE

**Air Line  
2.5 and 3.0 in. Valves  
With Throttle Valve**

REF. NO.	DESCRIPTION
1001	Hose Barb, 8 FJIC x ½ in.
1002	Hex Nipple, ½ MNPT
1004	90 Degree Street Elbow, ½ NPT
1007	Straight Adapter, 12 FJIC x ¾ MNPT
1009	Straight Adapter, 12 MJIC x ½ MNPT

REF. NO.	DESCRIPTION
1010	90 Degree Elbow, 12 MJIC x ¾ MNPT
1013	Gate Valve, ½ in.
1038	Electric Solenoid Valve, ¾ in.
1045	Black Hose, ¾ in. (Cut to Suit Installation)

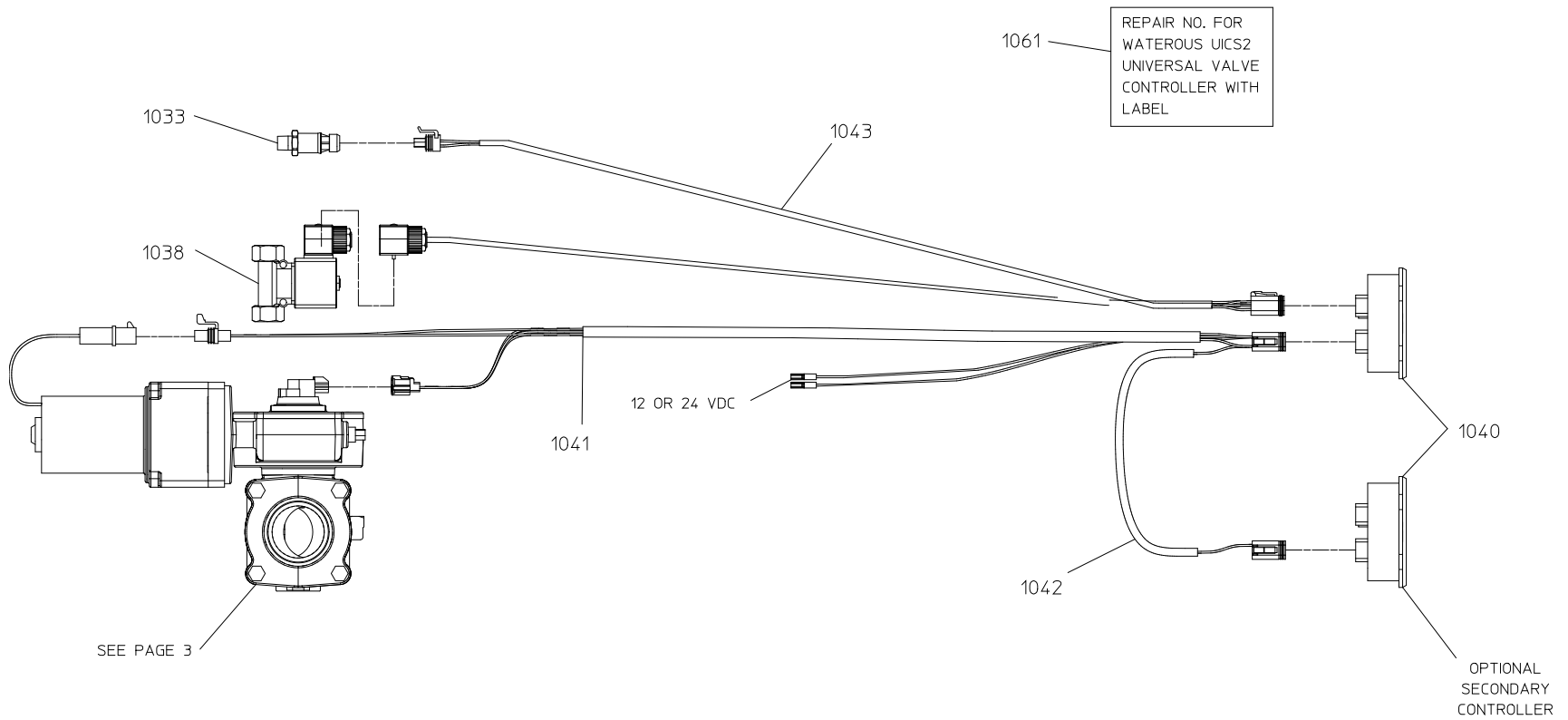


**AIR LINE**  
 2.5 OR 3.0 INCH VALVE  
 WITH THROTTLE VALVE

## Controller and Cables

REF. NO.	DESCRIPTION
1033	Pressure Sensor
1038	Solenoid Valve
1040	Valve Controller

REF. NO.	DESCRIPTION
1041	Primary Controller to Valve Cable, 10, 20 or 40 Feet
1042	Primary Controller to Secondary Cable, 10, 20 or 40 Feet
1043	Primary Controller to Pressure Sensor Cable, 10, 20 or 40 Feet
1061	Waterous UICS2 Universal Valve Controller with Label

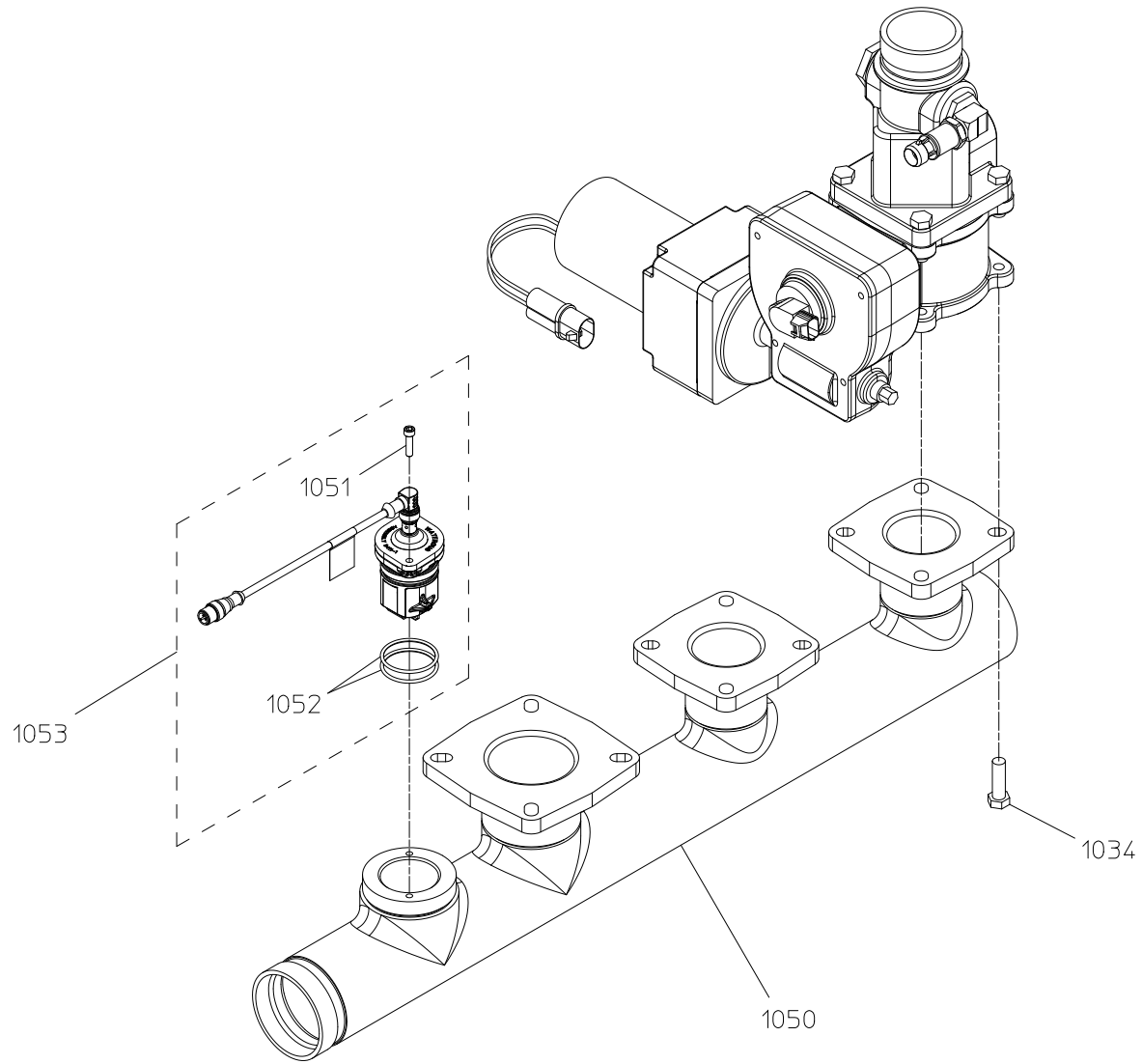


**CONTROLLER AND CABLES**

## Optional Manifold

REF. NO.	DESCRIPTION
1034	Hex Head Screw, 3/8-16 x 1-1/4 in.
1050	CAFS Discharge Manifold
1051	Socket Head Screw, No. 10-32 x 3/4 in.

REF. NO.	DESCRIPTION
1052	O-ring, 1-1/2 x 1-11/16 in.
1053	Flowmeter (Includes 1051 and 1052)



**OPTIONAL MANIFOLD**