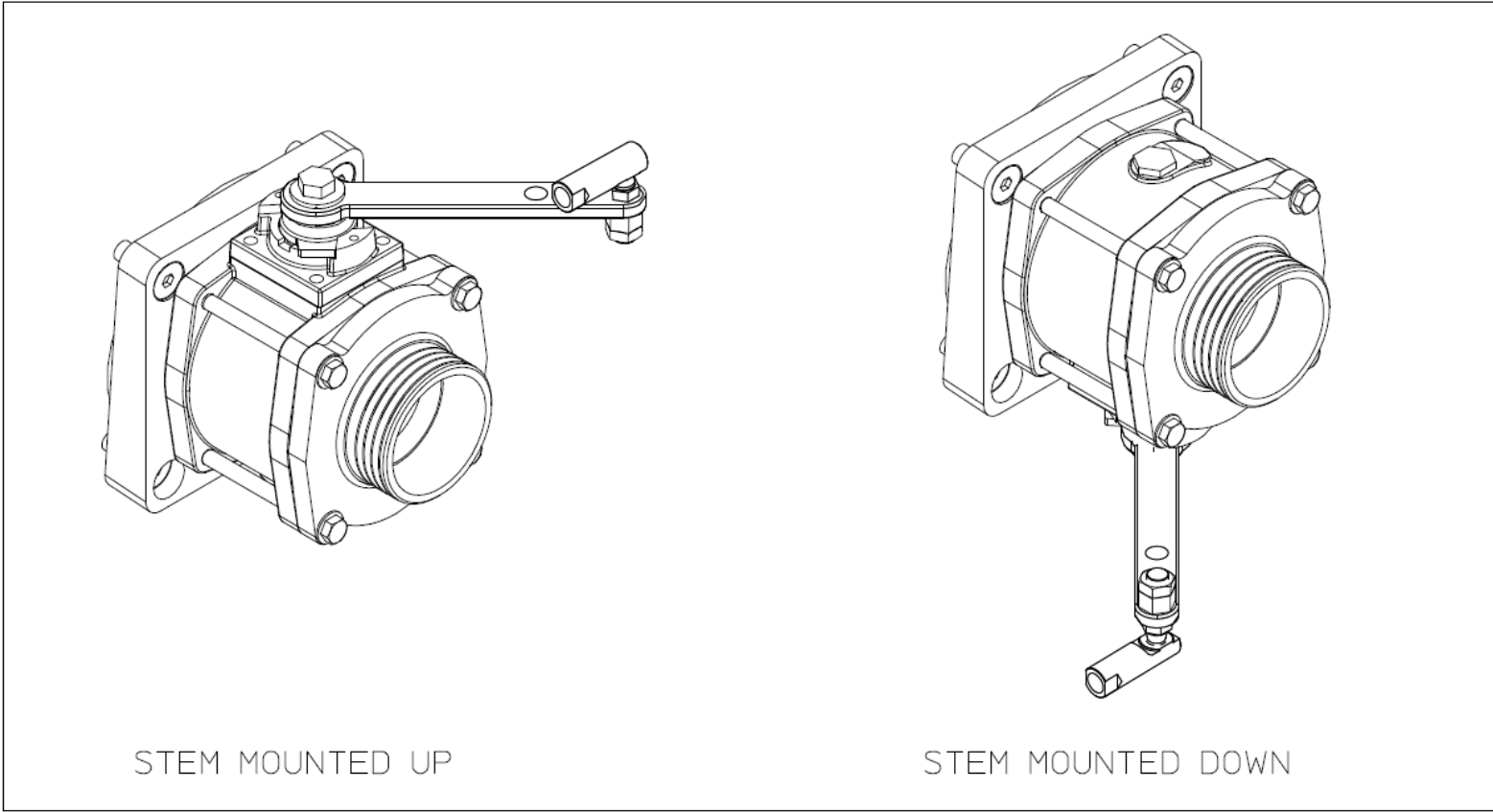


3 In. Tank to Pump Valve Service Parts List



3 in. Tank to Pump Valve

REF. NO.	DESCRIPTION
NS1	Valve Assembly (Includes NS2 thru NS8)
NS2	Ball Valve, 3 in.
NS3	Pump to Valve Adapter
NS4	Inlet Adapter
NS5	Hex Head Screw, 3/8-16 x 4 in.
NS6	End Swivel, 90 Degrees, 1/2-20

REF. NO.	DESCRIPTION
NS7	Hex Nut, 1/2-20
NS8	Jam Hex Nut, 1/2-20
NS9	Flat Head Screw, 1/2-13 x 1-1/2 in.
NS10	O-ring, 6-3/4 x 7 in.
NS11	Valve Seal and Ball Repair Kit (Elkhart Valves Only)
NS12	Valve Seal Repair Kit (Elkhart Valves Only)

