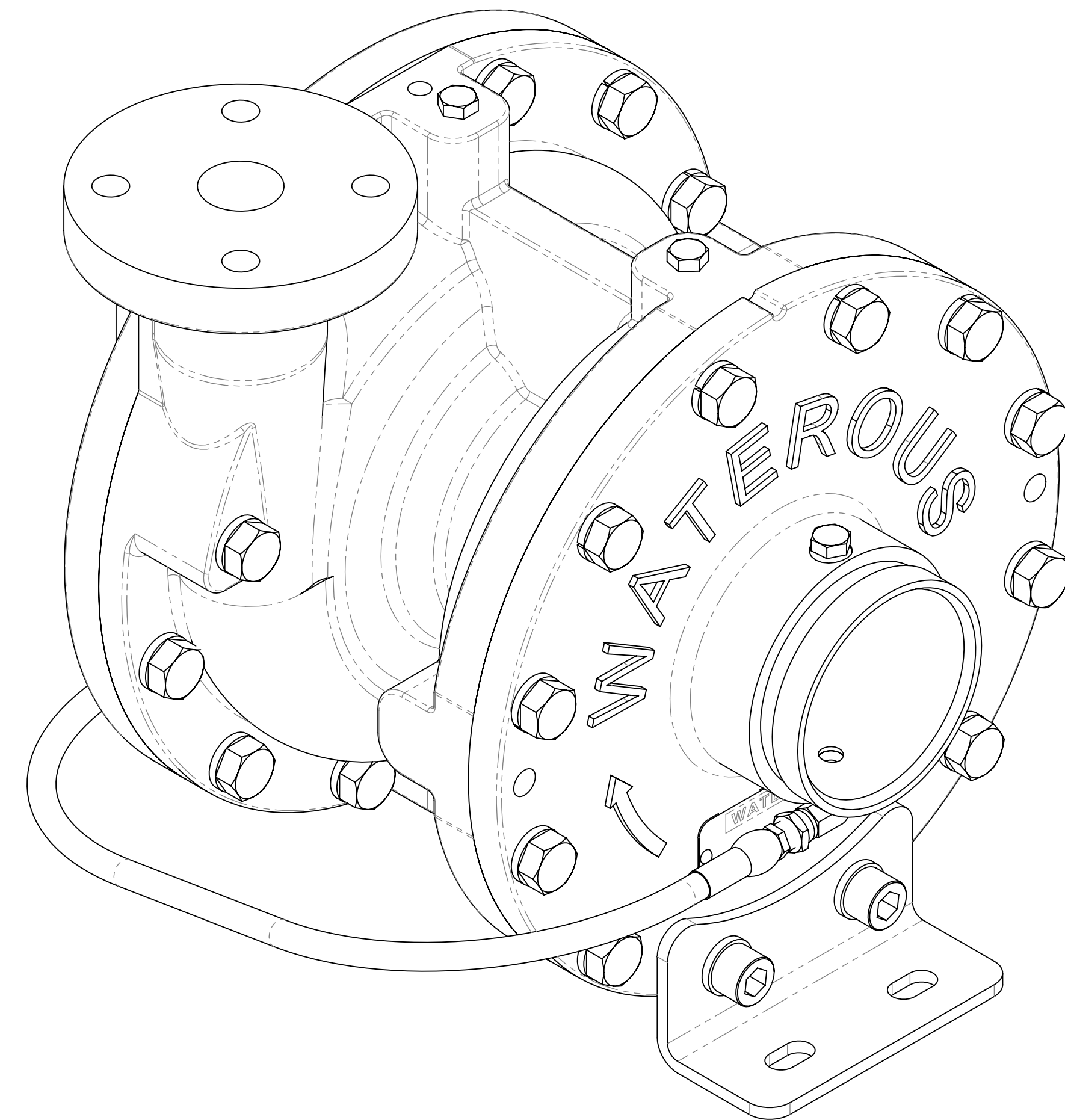


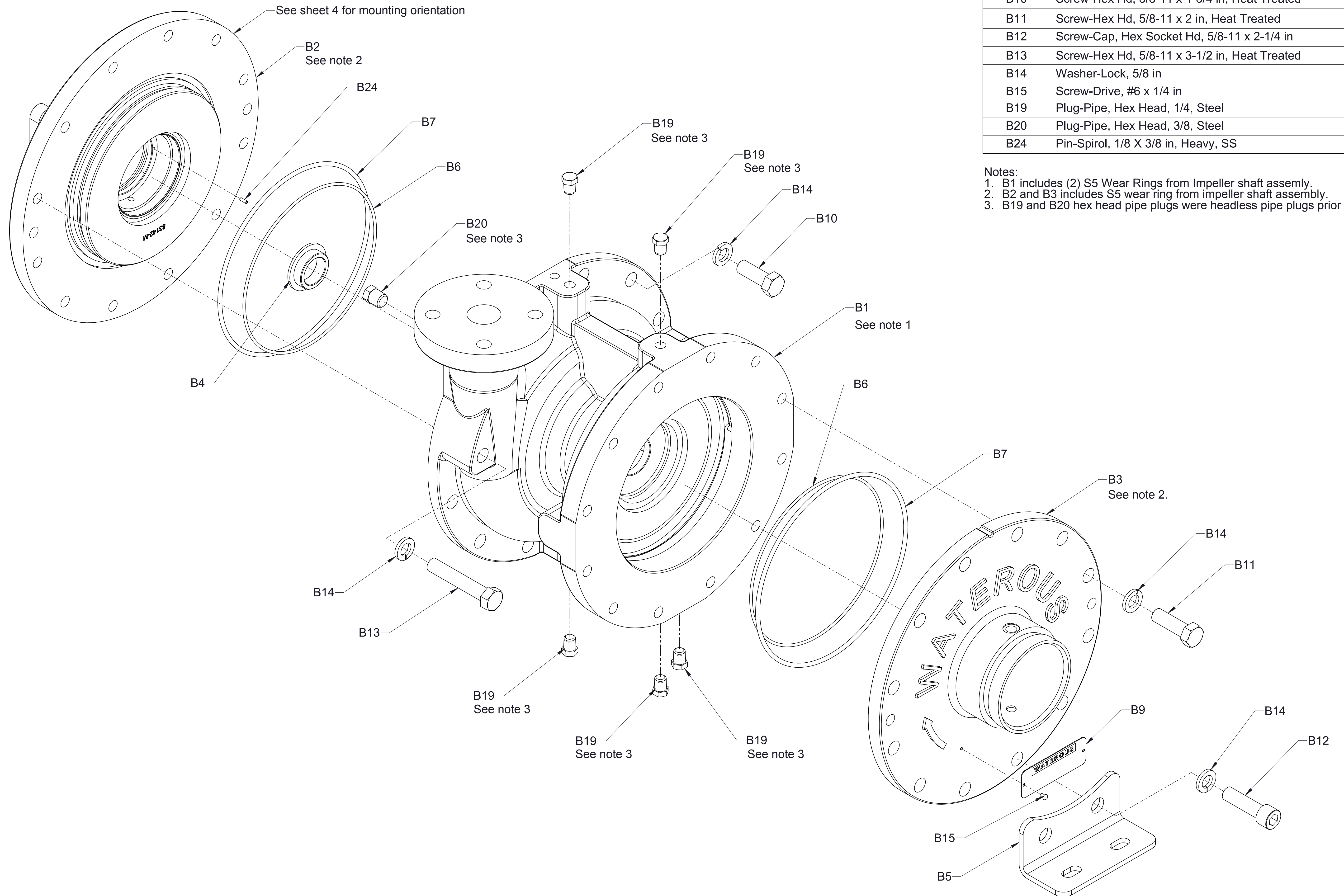
CP-5 SERIES PUMP BODY ASSEMBLY

SEE PAGE		
EXPLODED VIEW	CROSS-SECTION VIEW	MECHANICAL SEAL COOLING LINE
2	3	4



REF NO.	DESCRIPTION
B1	Body-Volute, CW (CP-5)
B2	Head-Pump (CP-5)
B3	Intake (CP-5)
B4	Bushing (CP-5)
B5	Bracket-Mounting
B6	O-Ring, 8 x 8-1/4 in
B7	O-Ring, 9 x 9-3/8 in
B9	Plate-Serial
B10	Screw-Hex Hd, 5/8-11 x 1-3/4 in, Heat Treated
B11	Screw-Hex Hd, 5/8-11 x 2 in, Heat Treated
B12	Screw-Cap, Hex Socket Hd, 5/8-11 x 2-1/4 in
B13	Screw-Hex Hd, 5/8-11 x 3-1/2 in, Heat Treated
B14	Washer-Lock, 5/8 in
B15	Screw-Drive, #6 x 1/4 in
B19	Plug-Pipe, Hex Head, 1/4, Steel
B20	Plug-Pipe, Hex Head, 3/8, Steel
B24	Pin-Spirol, 1/8 X 3/8 in, Heavy, SS

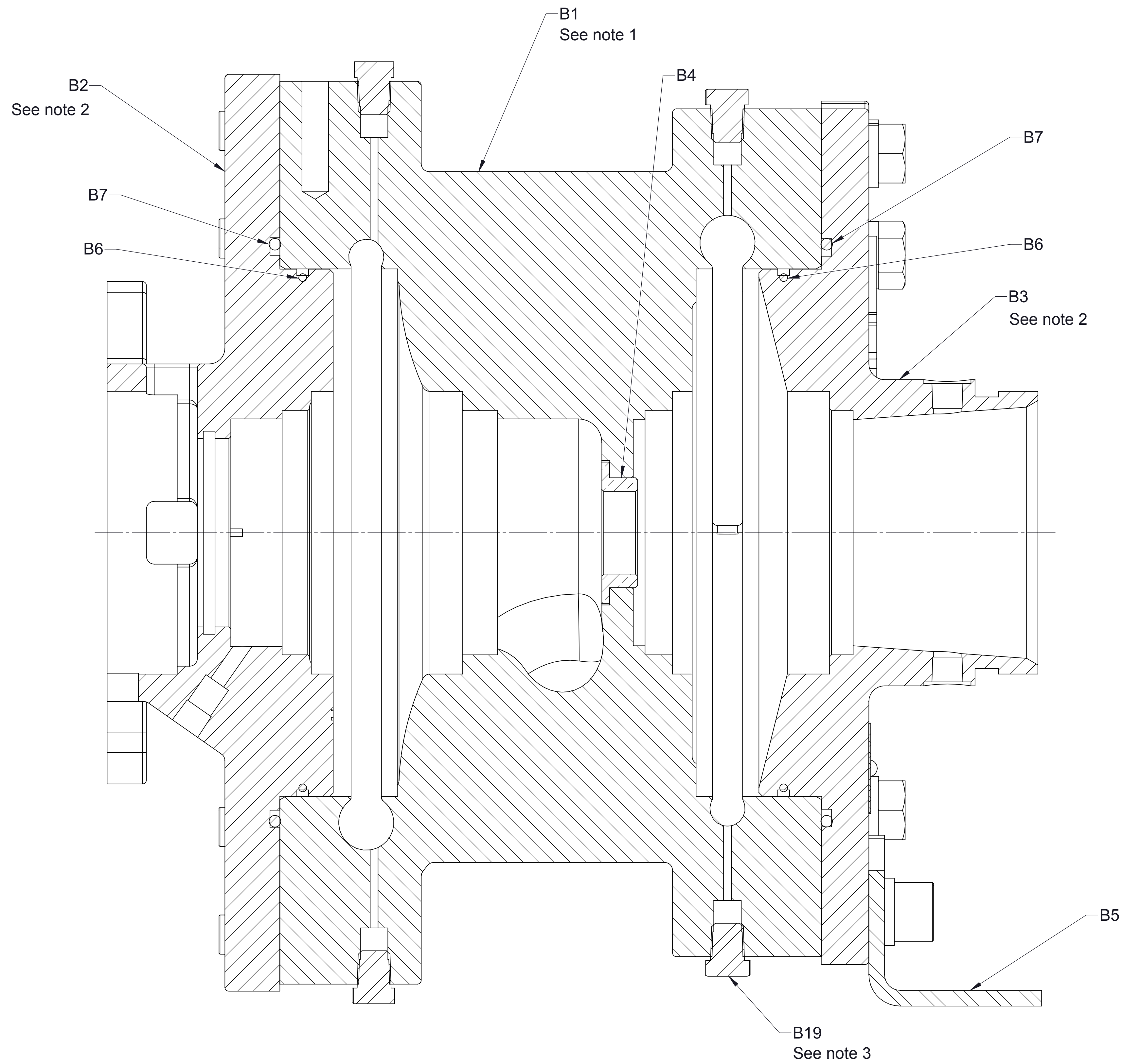
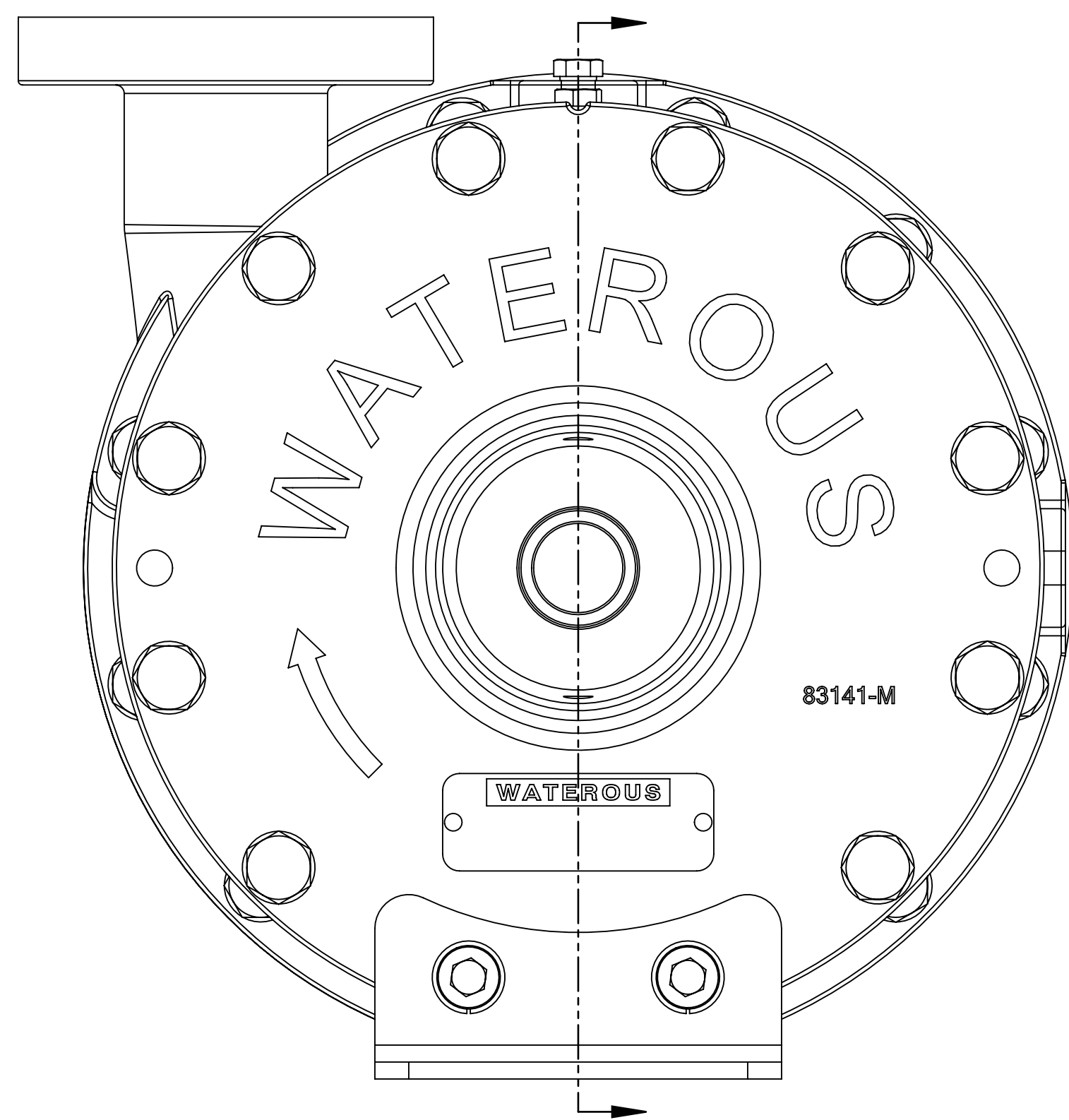
- Notes:
1. B1 includes (2) S5 Wear Rings from Impeller shaft assembly.
2. B2 and B3 includes S5 wear ring from impeller shaft assembly.
3. B19 and B20 hex head pipe plugs were headless pipe plugs prior to April 18, 2019

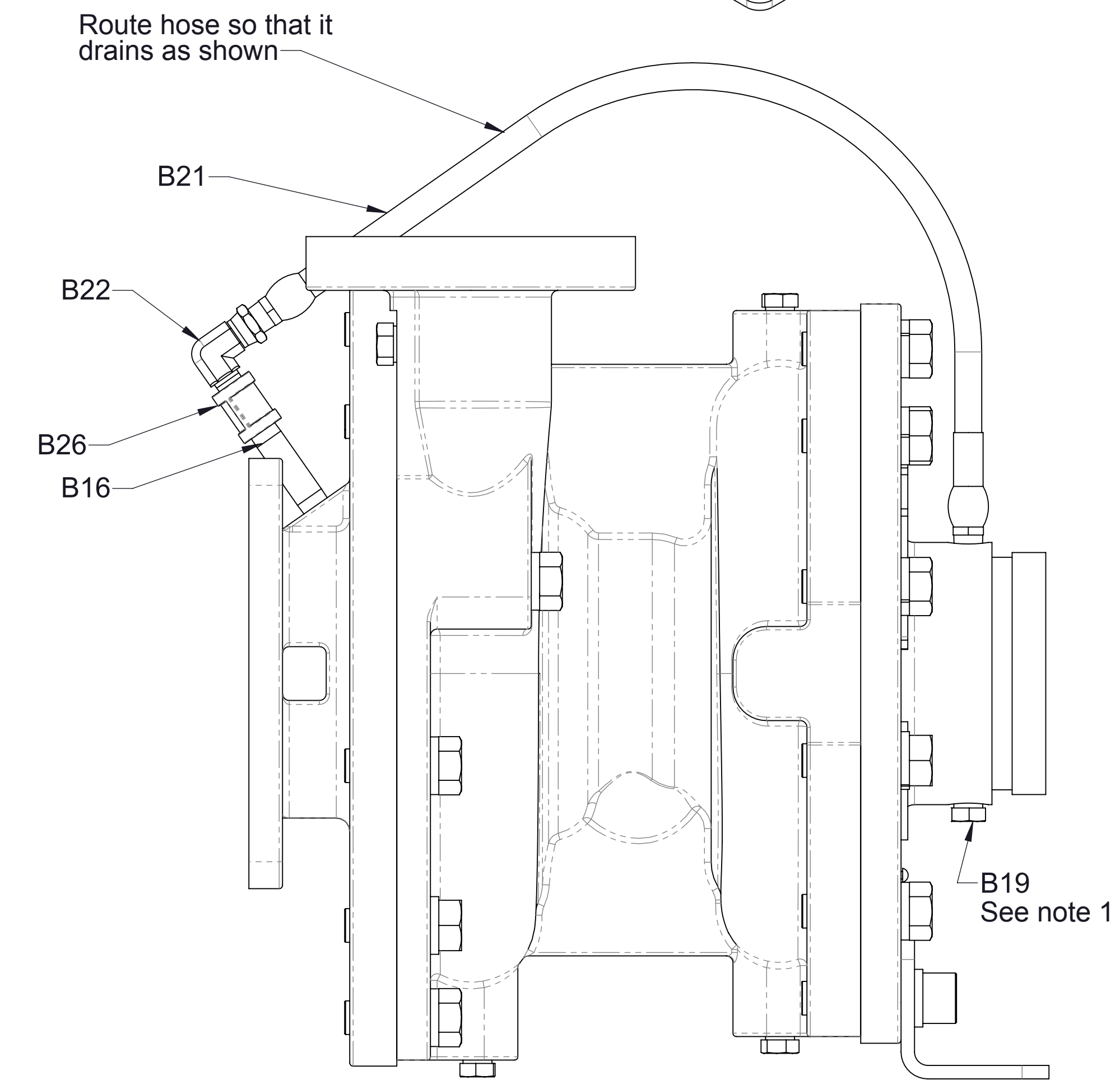
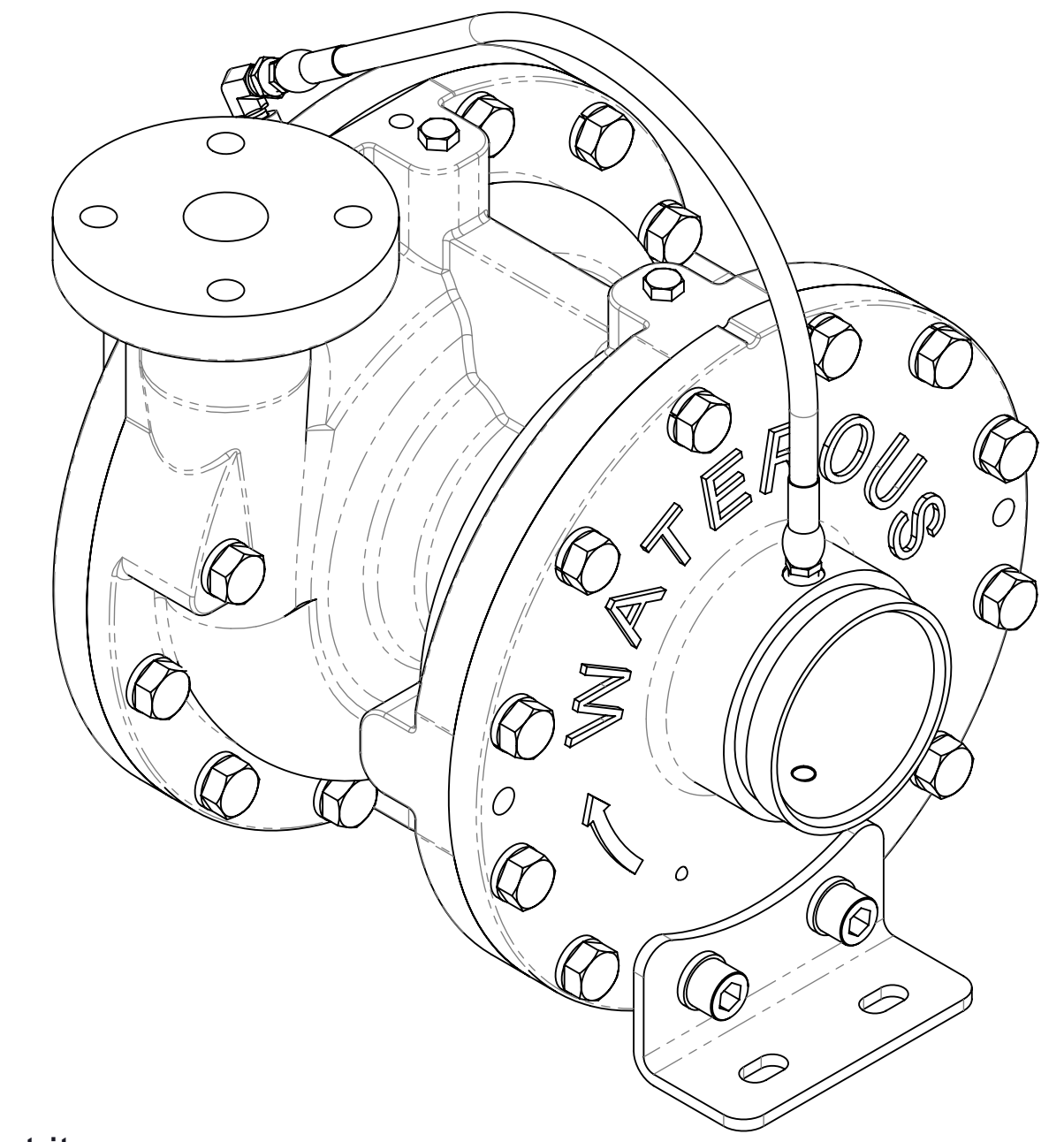
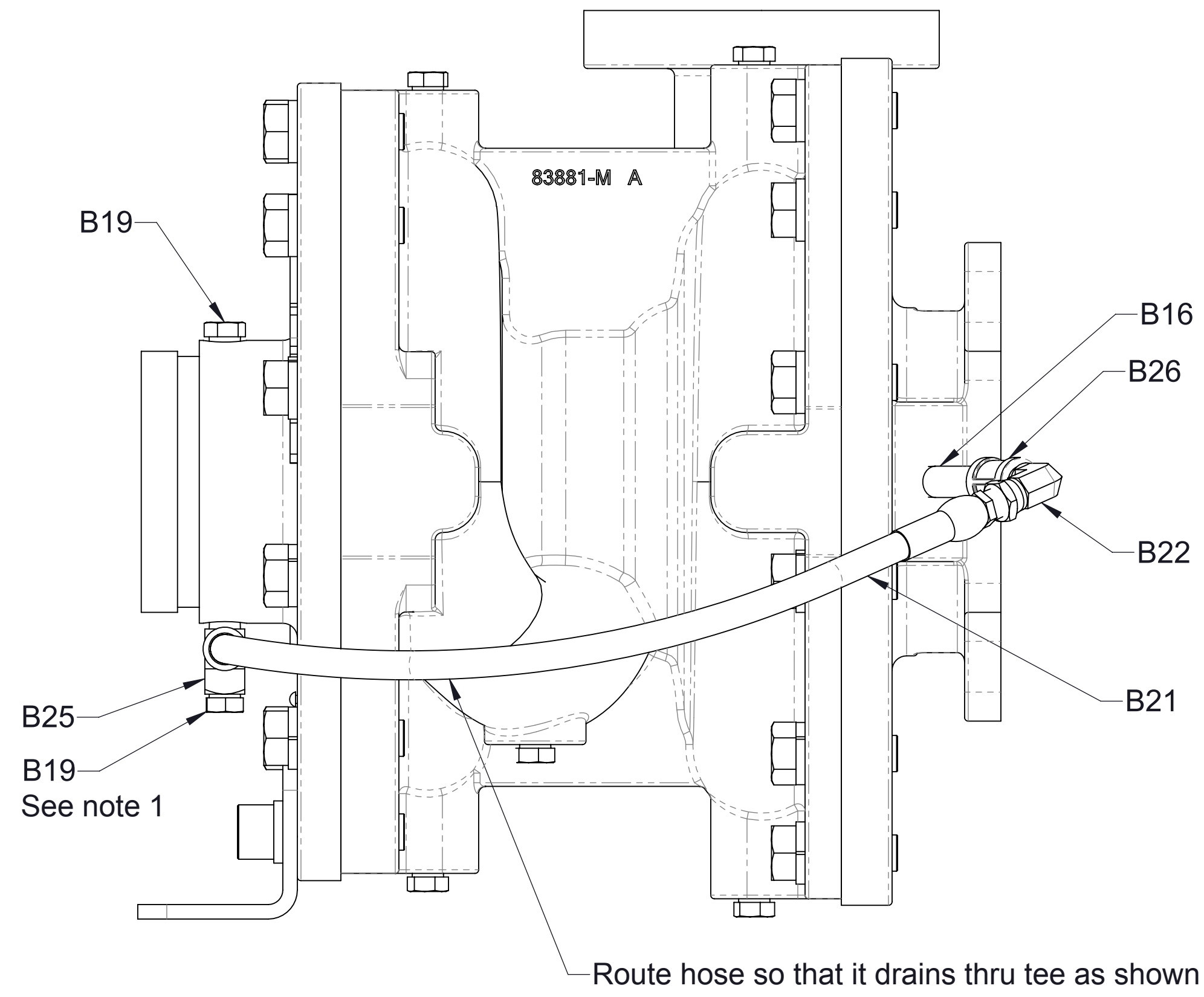
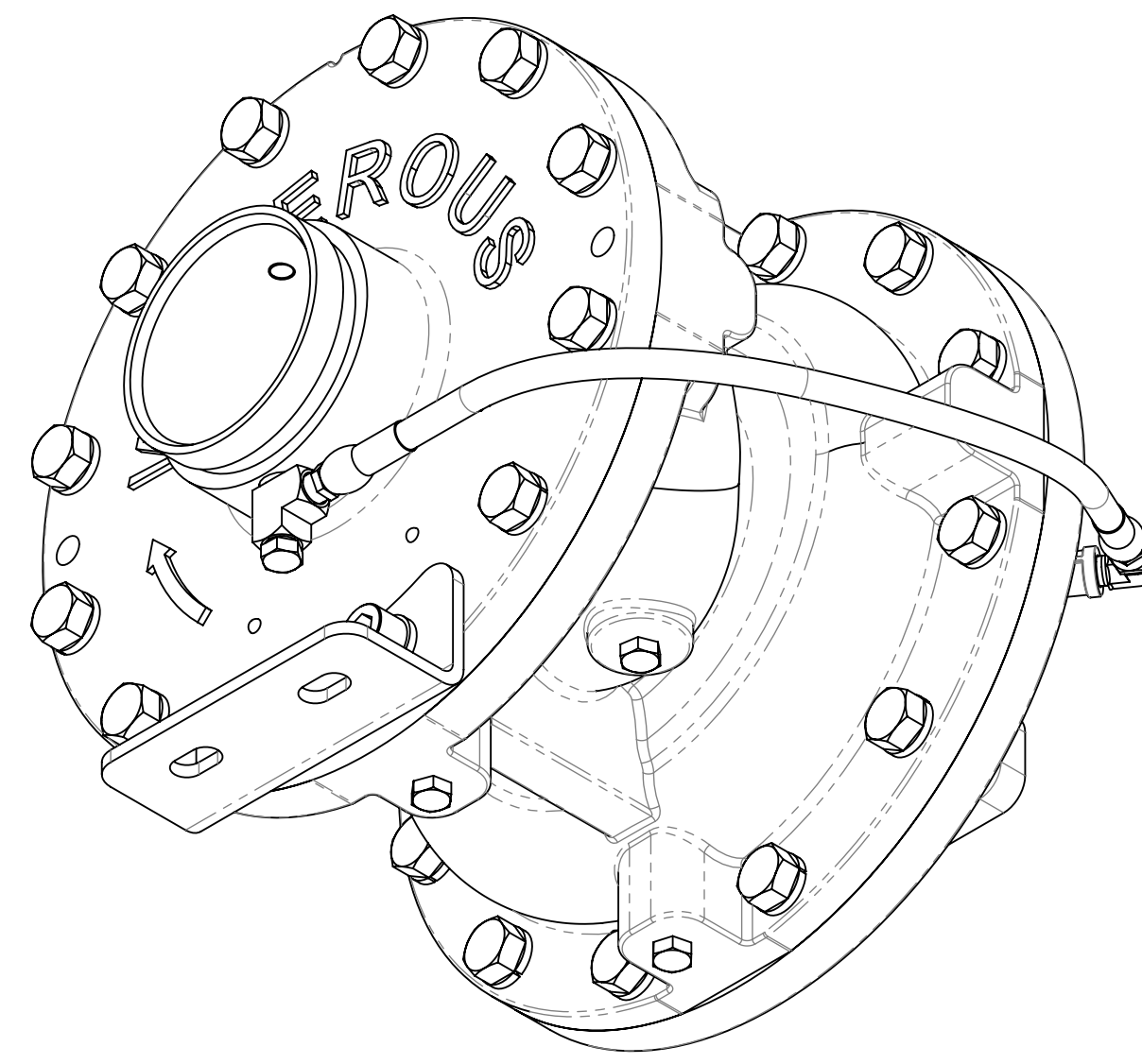
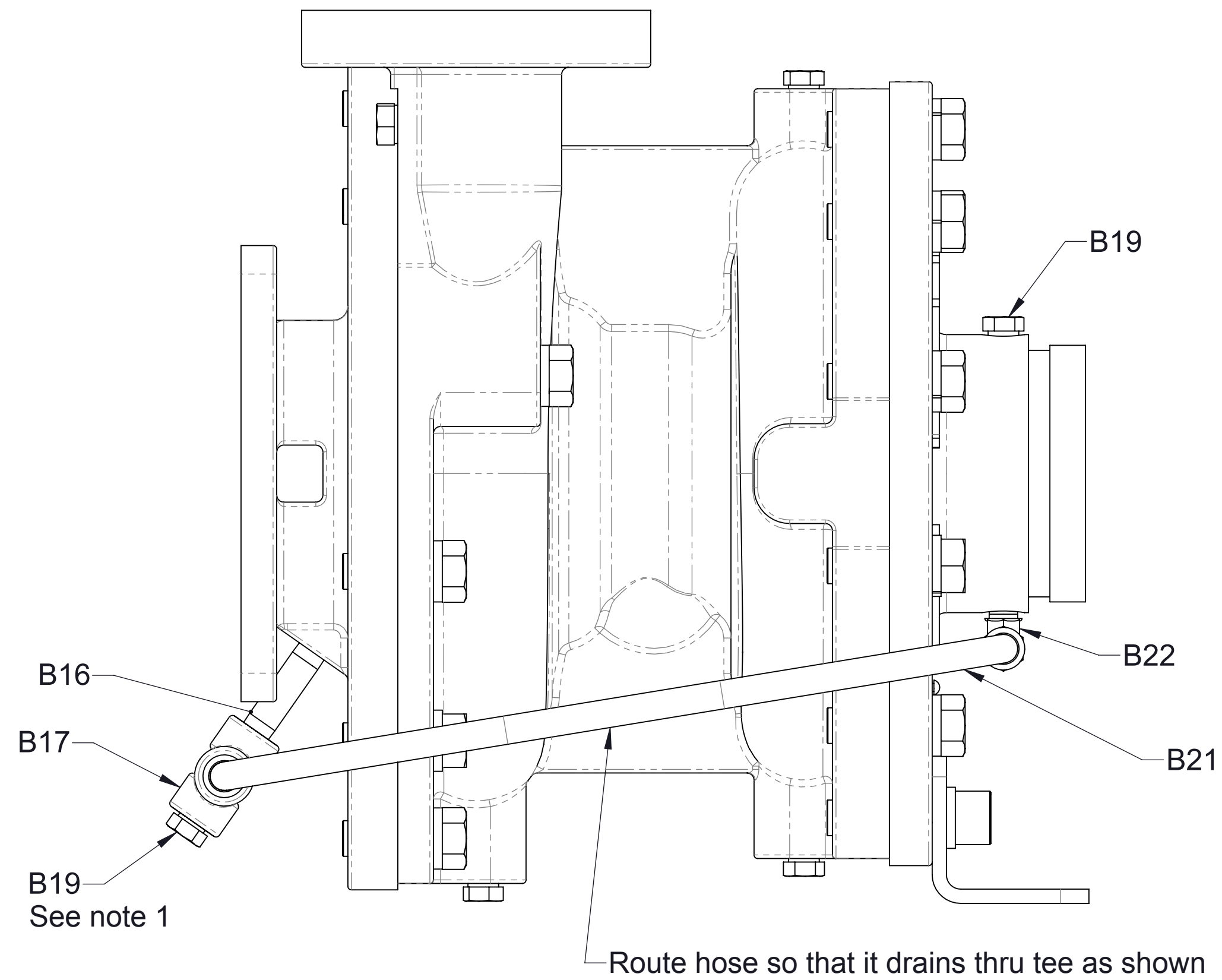
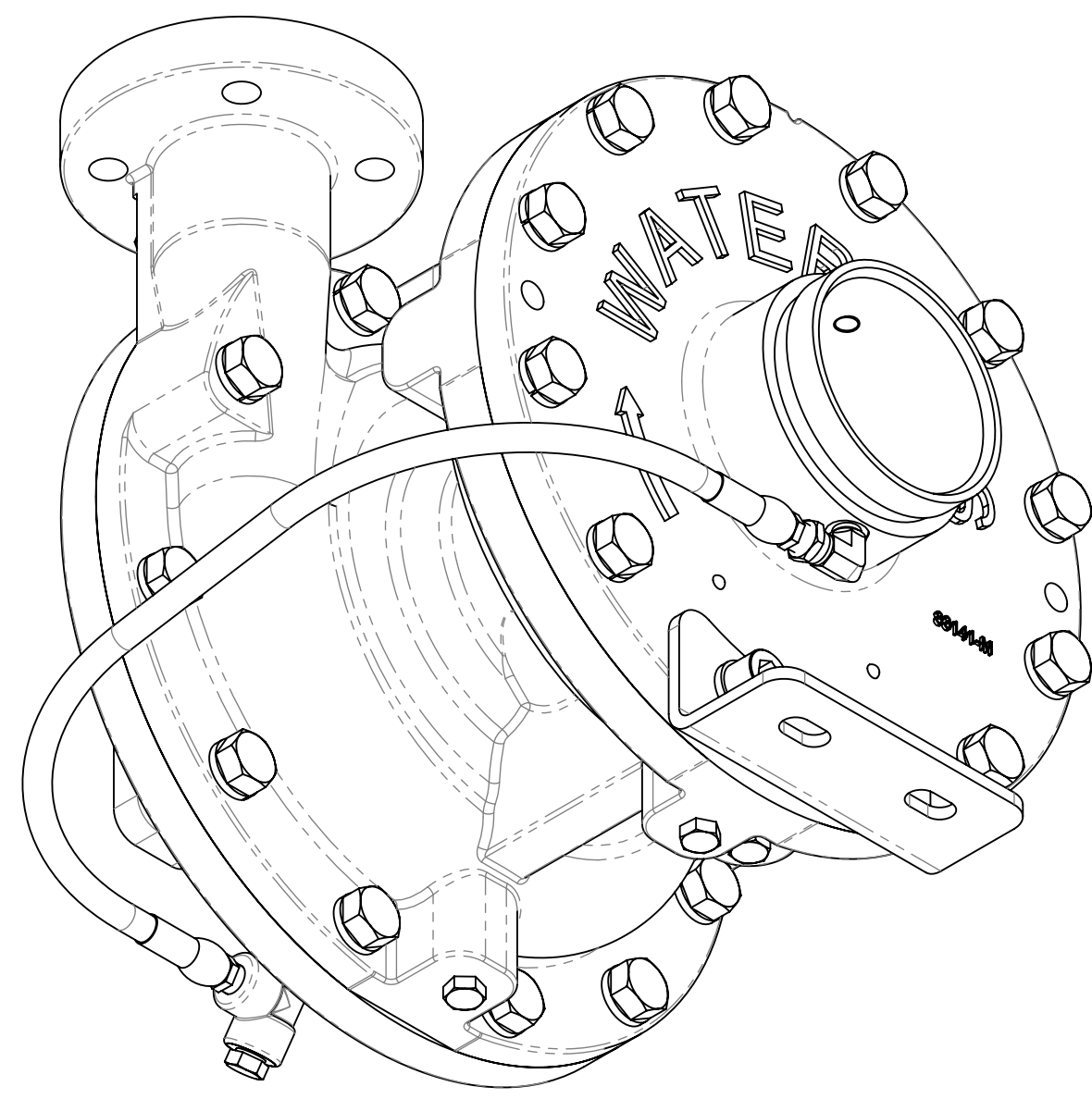


PUMP BODY ASSEMBLY

REF NO.	DESCRIPTION
B1	Body-Volute, CW (CP-5)
B2	Head-Pump (CP-5)
B3	Intake (CP-5)
B4	Bushing (CP-5)
B5	Bracket-Mounting
B6	O-Ring, 8 x 8-1/4 in
B7	O-Ring, 9 x 9-3/8 in
B19	Plug-Pipe, Hex Head, 1/4, Steel

- Notes:
1. B1 includes (2) S5 Wear Rings from Impeller shaft assembly.
2. B2 and B3 includes S5 wear ring from impeller shaft assembly.
3. B19 and B20 hex head pipe plugs were headless pipe plugs prior to April 18, 2019





REF NO.	DESCRIPTION
B16	Nipple-Pipe, 1/4 NPT x 2-1/2 in, Heavy, SS
B17	Tee-Standard, Pipe, 1/4 NPT, Class-3000, Steel
B19	Plug-Pipe, Hex Head, 1/4, Steel
B21	Hose Assy, Ultra High Pressure, 1/4 (CP-4, CP-5)
B22	Elbow-Adapter, Union, 90deg, 1/4 NPT

Notes:
1. B19 hex head pipe plugs were headless pipe plugs prior to April 18, 2019

WITH INVERTED TRANSMISSION

REF NO.	DESCRIPTION
B16	Nipple-Pipe, 1/4 NPT x 2-1/2 in, Heavy, SS
B19	Plug-Pipe, Hex Head, 1/4, Steel
B21	Hose Assy, Ultra High Pressure, 1/4 (CP-4, CP-5)
B22	Elbow-Adapter, Union, 90deg, 1/4 NPT
B25	Tee-Sreet, 1/4 NPT, Brass
B26	Coupling-Pipe, 1/4 NPT, Galvanized

Notes:
1. B19 hex head pipe plugs were headless pipe plugs prior to April 18, 2019

WITH HORIZONTAL (RH) TRANSMISSION

REF NO.	DESCRIPTION
B16	Nipple-Pipe, 1/4 NPT x 2-1/2 in, Heavy, SS
B19	Plug-Pipe, Hex Head, 1/4, Steel
B21	Hose Assy, Ultra High Pressure, 1/4 (CP-4, CP-5)
B22	Elbow-Adapter, Union, 90deg, 1/4 NPT
B26	Coupling-Pipe, 1/4 NPT, Galvanized

Notes:
1. B19 hex head pipe plugs were headless pipe plugs prior to April 18, 2019

WITH VERTICAL TRANSMISSION