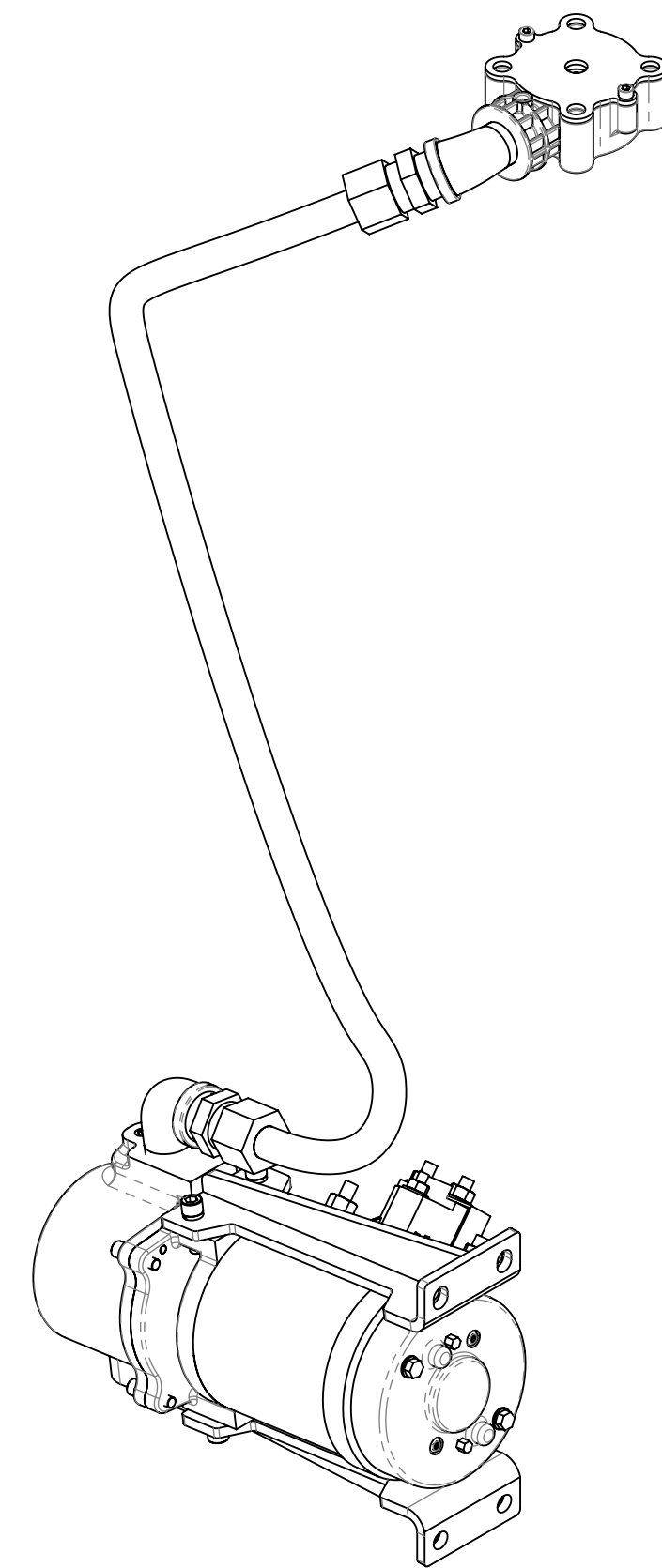


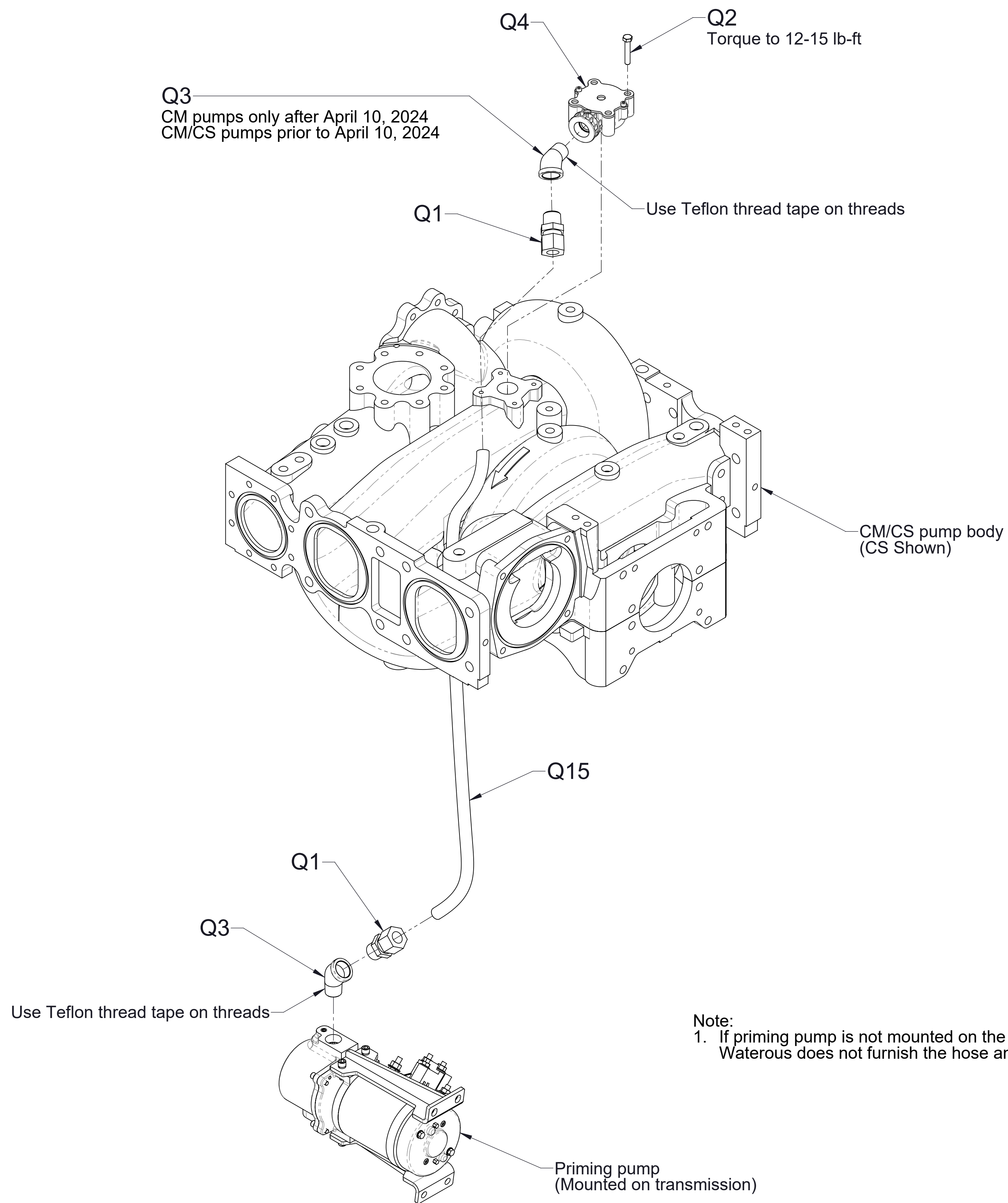
Priming Valve and Piping Service Parts List

VAP (Vacuum Activated) Priming Valve

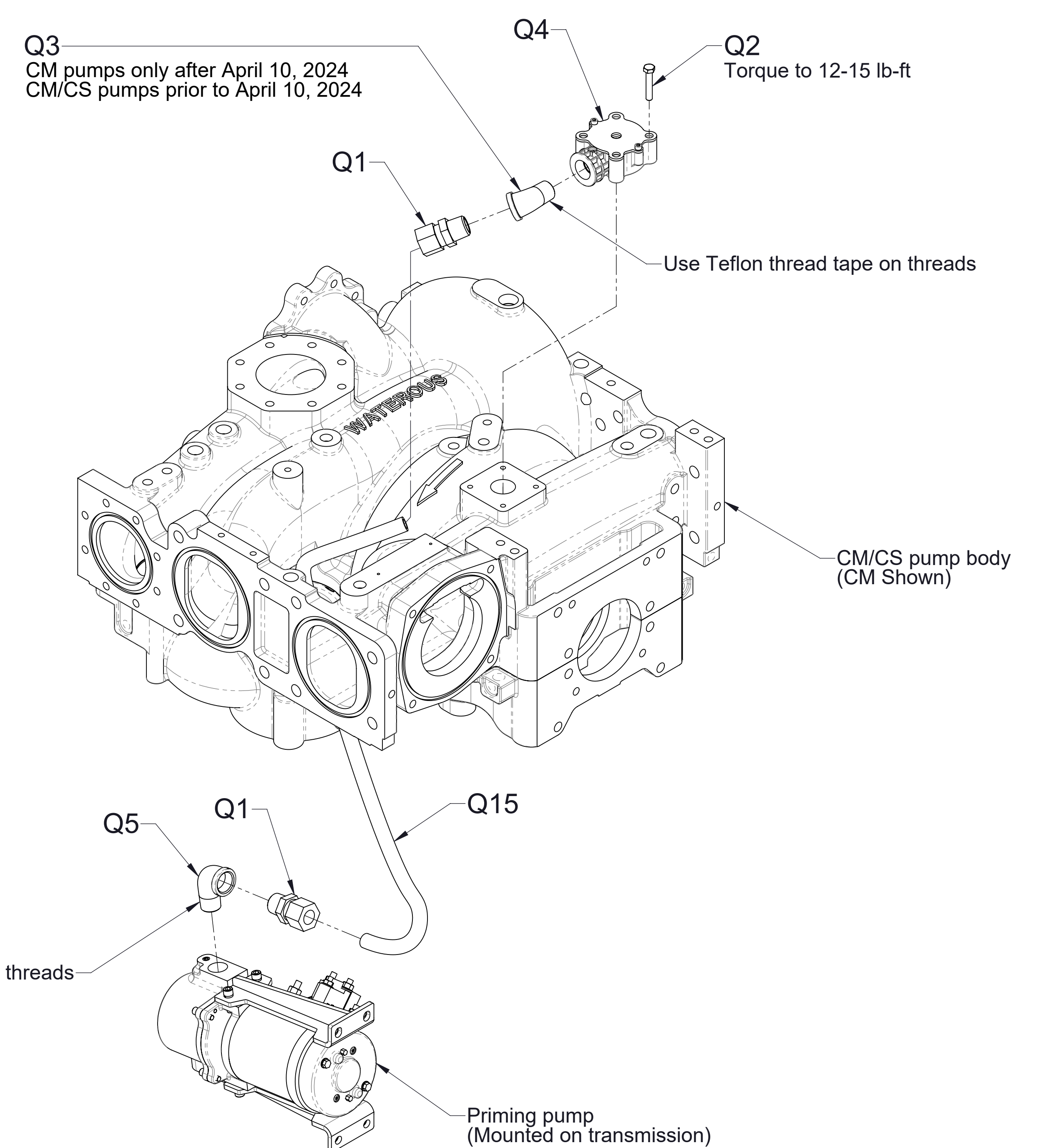
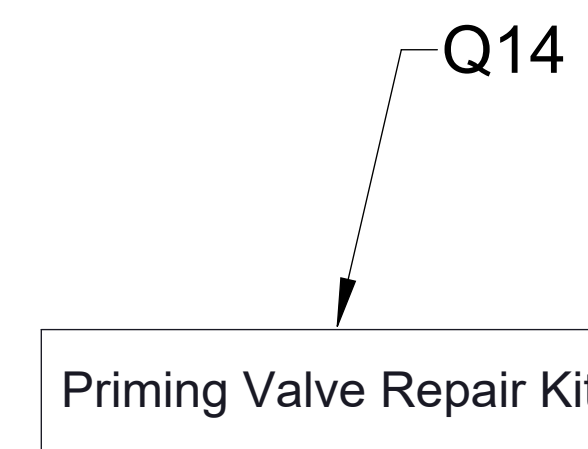


Priming Method	Pump Model	Priming Valve Mounting	Transmission Mounting on Pump	Pump Mounting on Transmission	See Page	
					Main Valve	Additional Valves for Multiple VAP Systems
Single Priming Pump with VAP Priming Valve	CM, CMU, CMCGV, CMUCGV, CS, CSU (Non-Inverted)	4-Bolt Flange	Rear of Pump	--	2	8
		4-Bolt Flange	Front of Pump	--	2	
	CXS, ESU1 (Dual Intake)	4-Bolt Flange	--	Front (Input Shaft) Side	3	
		4-Bolt Flange	--	Rear (Output Shaft) Side	3	
	CM, CMU (Inverted)	3/8 NPT Nipple Mounted	Rear of Pump	--	4	
	CGVG	3/8 NPT Nipple Mounted	--	Front (Input Shaft) Side	4	
	S101	4-Bolt Flange	--	Front (Input Shaft) Side	5	
	ESU1 (Inverted Dual Intake)	4-Bolt Flange	--	Front or Rear	7	
	CLR, CLS, CLV, CGV, CGVG, CGVR, CP-2, CP-3, CP-4, CR, CRU-1, CRU-2, CXN, CXV, CZ, CZU, S100, E500-C, ESU1	3/8 NPT Nipple Mounted (Single Valve)	--	--	6	
	CP-4UH, CP-5		--	--	6	
Dual Priming Pumps with Dual VAP Priming Valves	CR, CRU-1, CRU-2, CZ, CZU	1/2 NPT Port (Dual Valves on Single Port)	--	--	6	--

Ref No.	Description
Q1	Fitting-Tube, Compression, 3/4 Tube OD X 3/4 MNPT
Q2	Screw-Hex Hd, 5/16-18 x 1-3/4 in
Q3	Elbow, Street, 45°, 3/4 NPT
Q4	Priming Valve Subassembly
Q5	Elbow, Street, 90°, 3/4 NPT
Q14	Priming Valve Repair Kit
Q15	Priming Tube Repair Kit

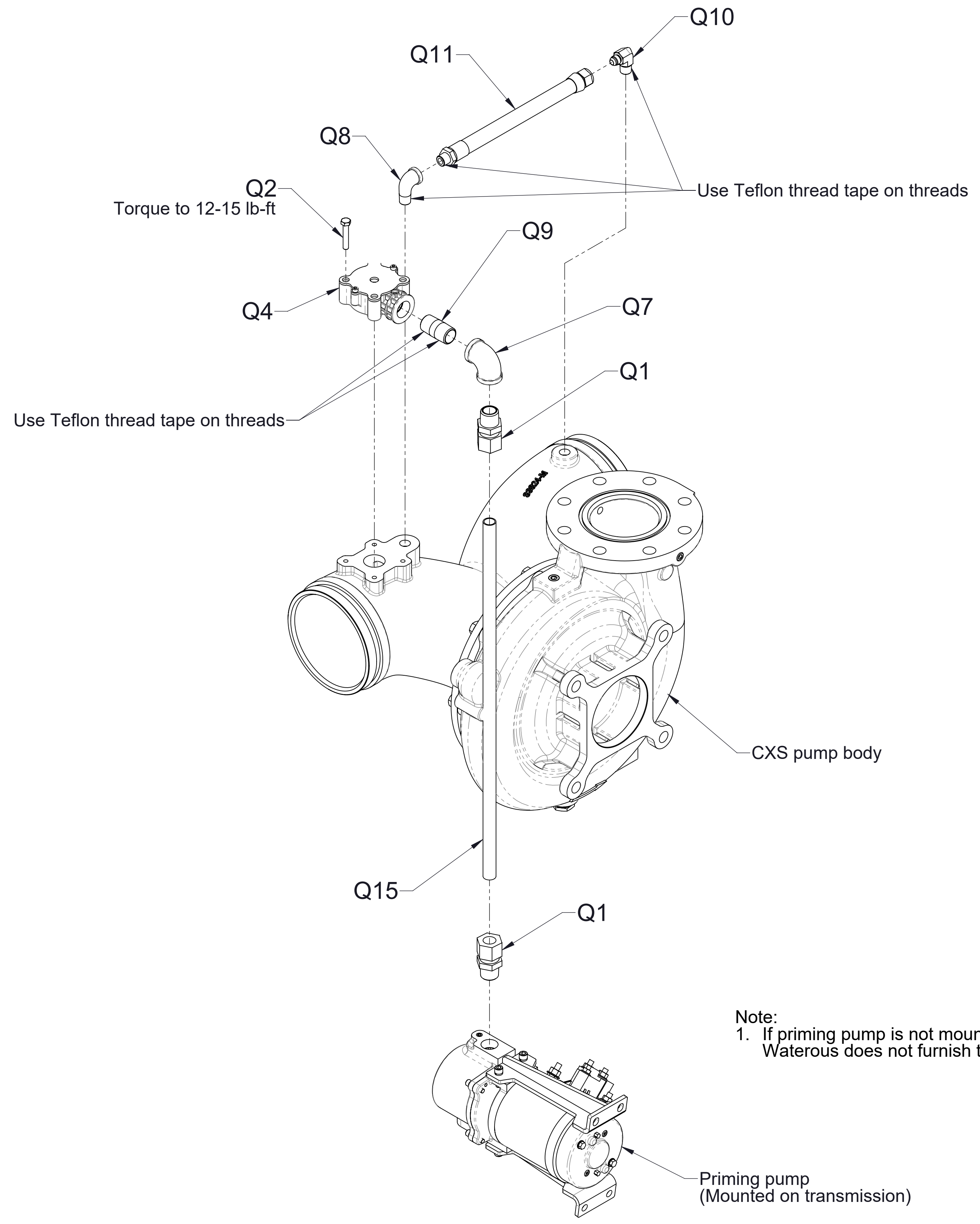


CM/CS Series Pumps, Rear Mounted (CS Shown)

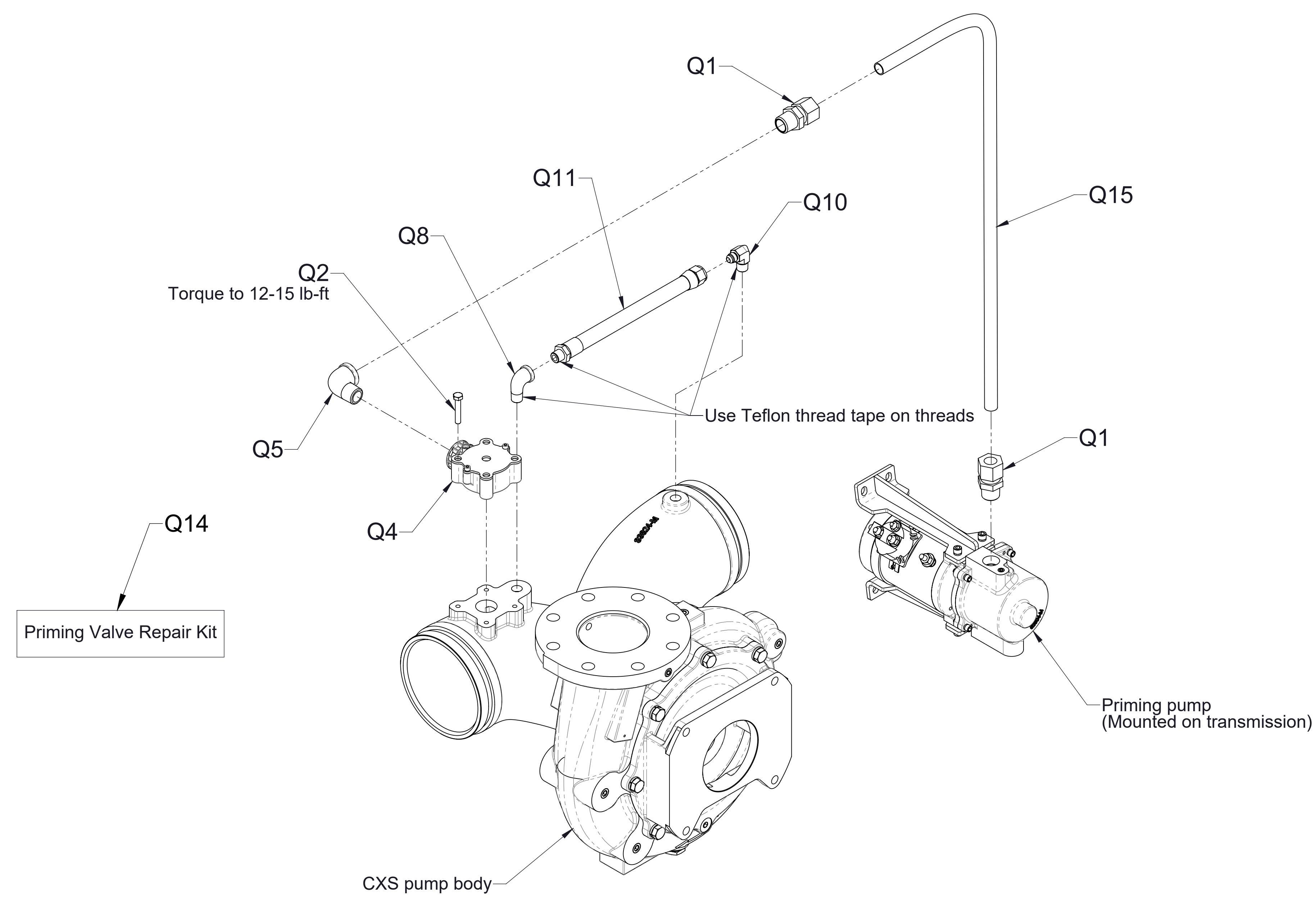


CM/CS Series Pumps, Front Mounted (CM Shown)

Ref No.	Description
Q1	Fitting-Tube, Compression, 3/4 Tube OD X 3/4 MNPT
Q2	Screw-Hex Hd, 5/16-18 x 1-3/4 in
Q4	Priming Valve Subassembly
Q5	Elbow-Street, 90°, 3/4 NPT
Q7	Elbow-Standard, 90°, 3/4 NPT
Q8	Elbow-Street, 90°, 3/8 NPT
Q9	Nipple-Pipe, 3/4 NPT x 2 in
Q10	Elbow-Male, 3/8 NPT x 3/8 Flare
Q11	Hose, 3/8 NPT x 3/8 Tube x 12 in
Q14	Priming Valve Repair Kit
Q15	Priming Tube Repair Kit



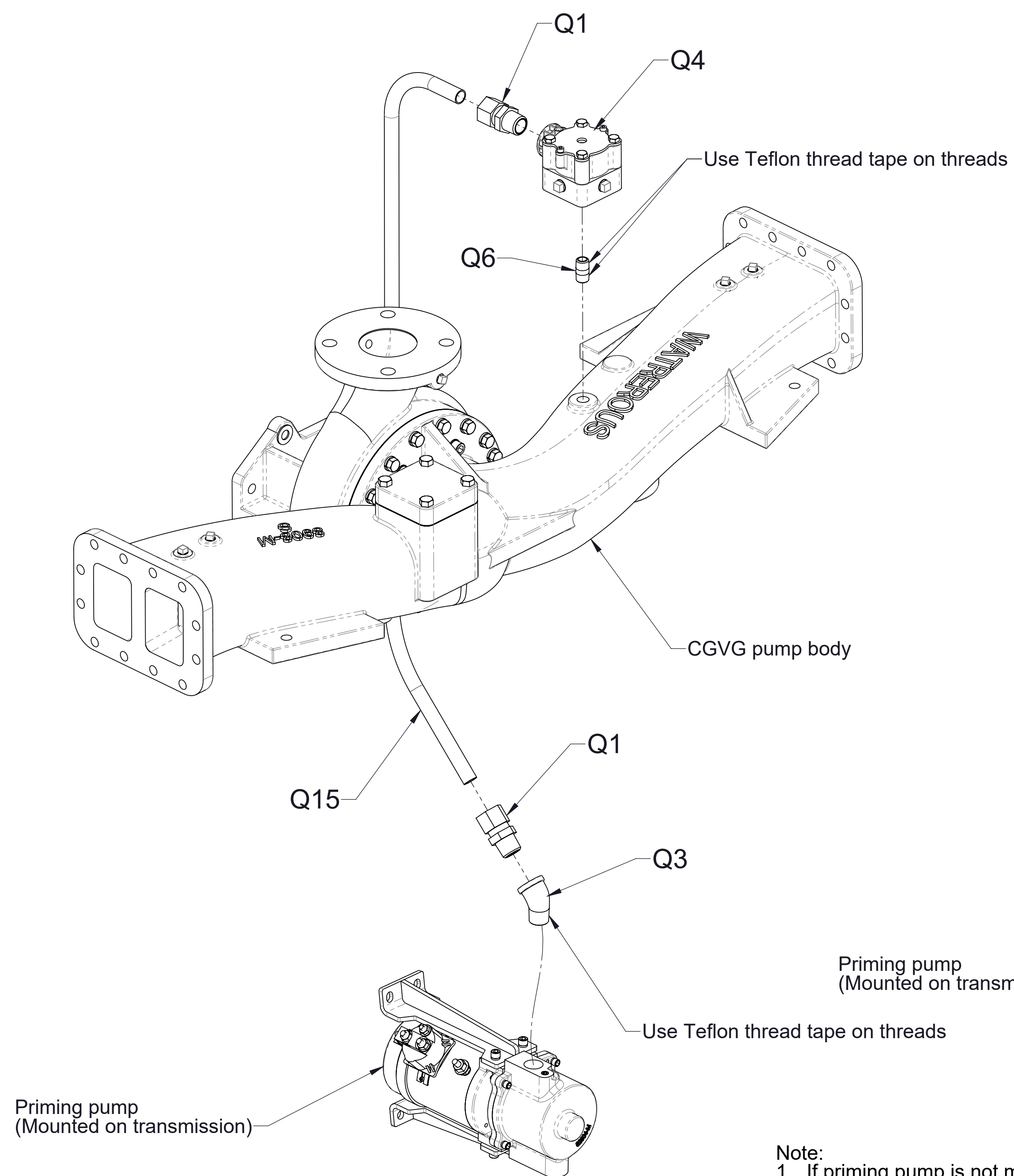
CXS or ESU1 (Dual Intake) Pump, Front (Input Shaft) Side
(CXS shown)



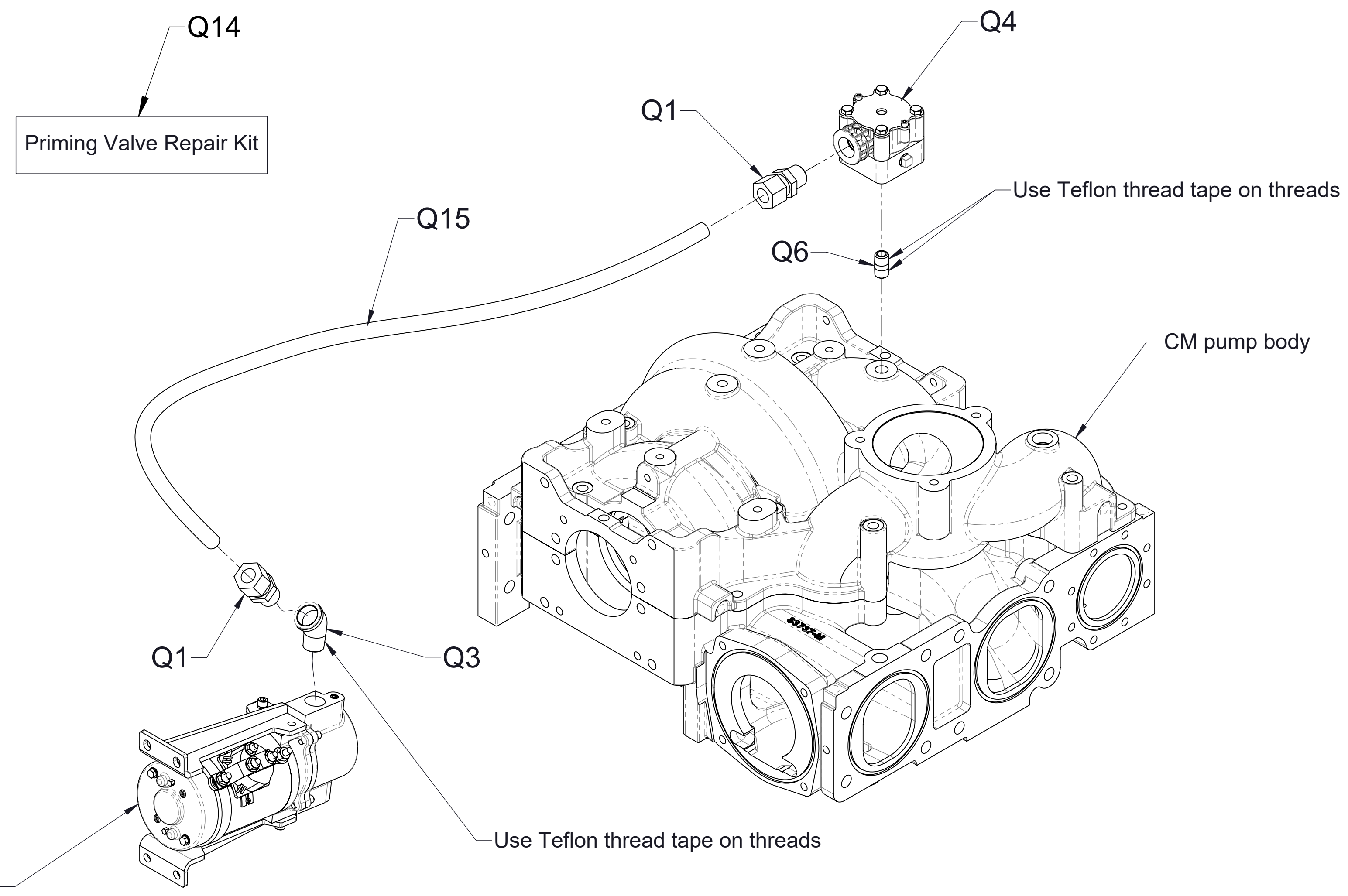
CXS or ESU1 (Dual Intake) Pump, Rear (Output Shaft) Side
(CXS shown)

Note:
1. If priming pump is not mounted on the transmission (separately mounted), Waterous does not furnish the hose and fittings to connect to priming pump.

Ref No.	Description
Q1	Fitting-Tube, Compression, 3/4 Tube OD X 3/4 MNPT
Q3	Elbow, Street, 45°, 3/4 NPT
Q4	Priming Valve Subassembly
Q6	Nipple-Pipe, 3/8 NPT x 1-1/2 in
Q14	Priming Valve Repair Kit
Q15	Priming Tube Repair Kit



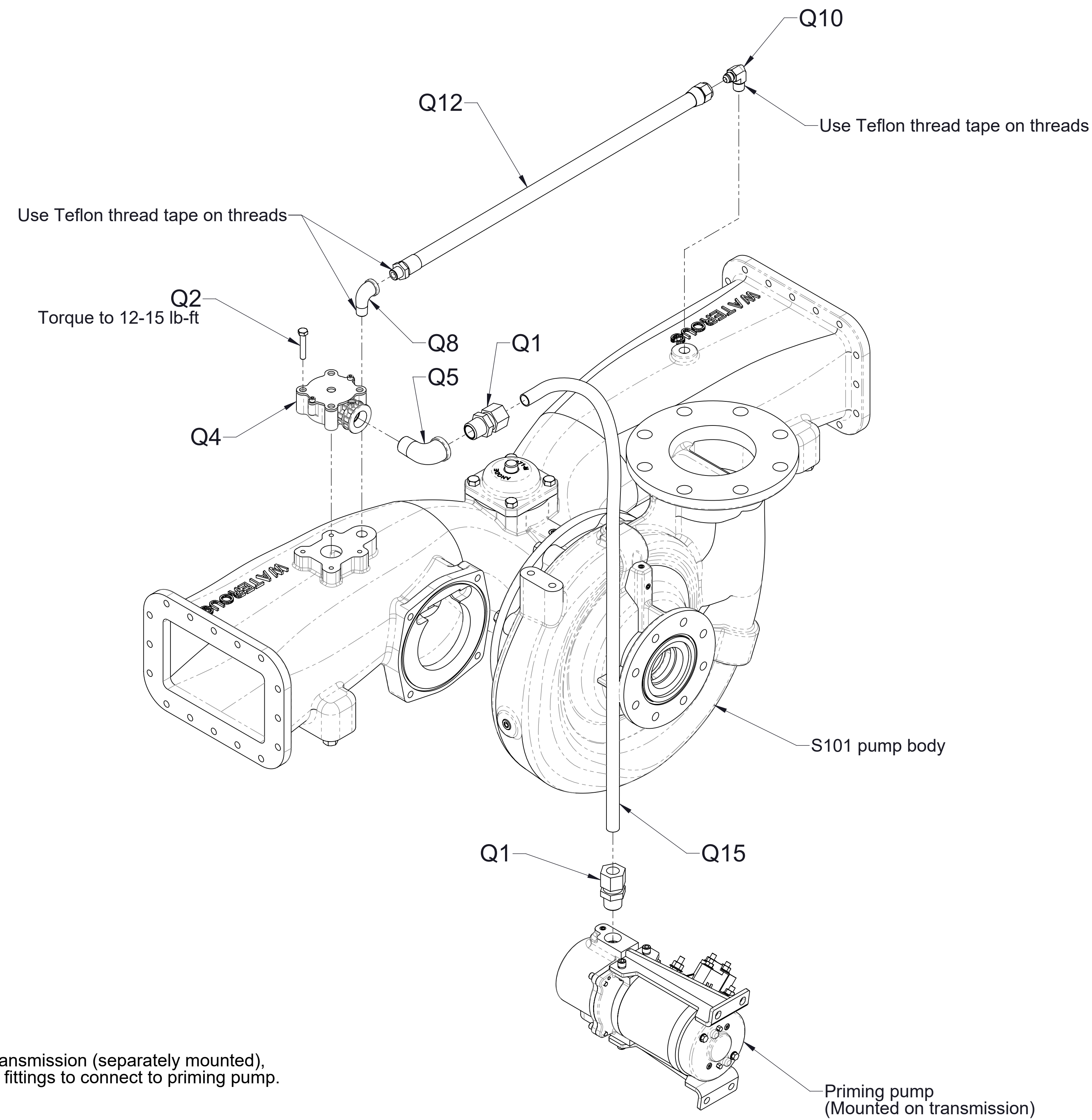
CGVG Pump, Front (Input Shaft) Side



CM Series Pumps, Rear Mounted, Inverted

Note:
 1. If priming pump is not mounted on the transmission (separately mounted), Waterous does not furnish the hose and fittings to connect to priming pump.

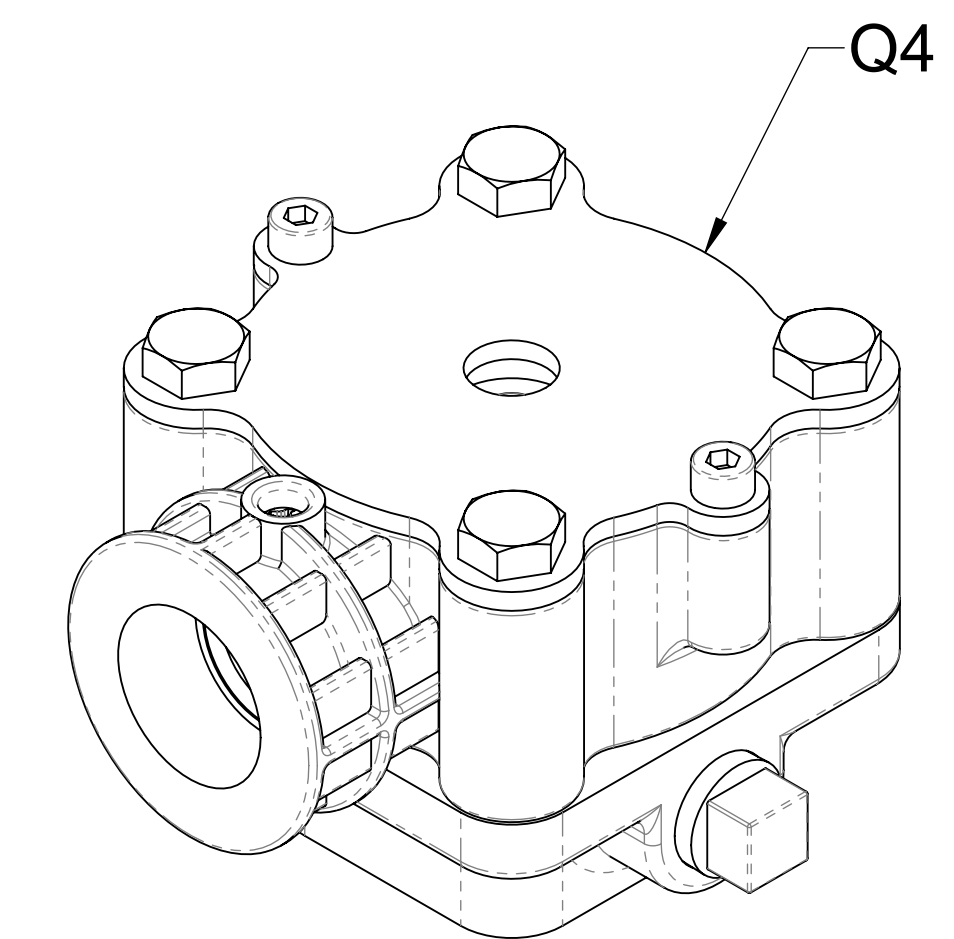
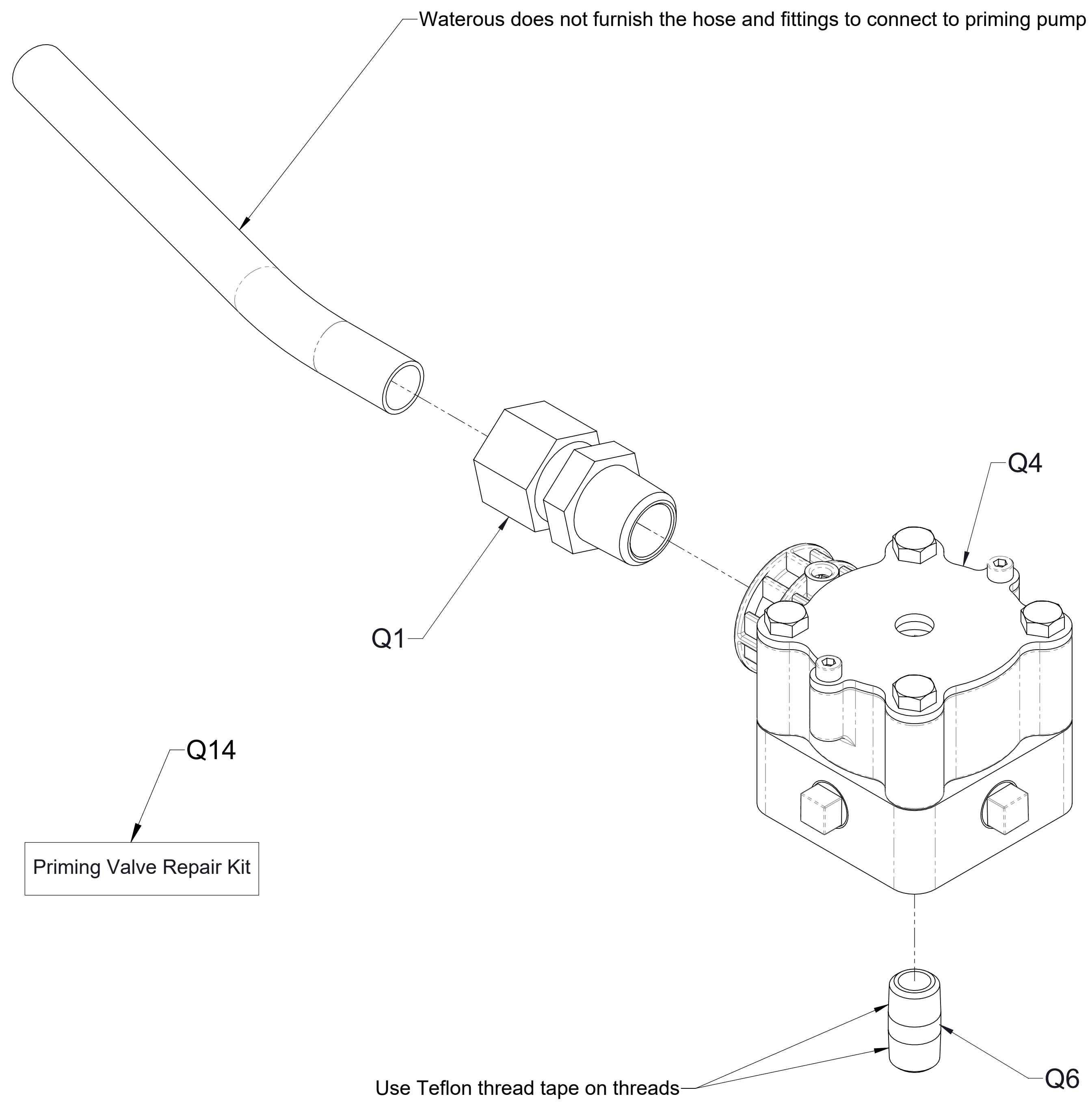
Ref No.	Description
Q1	Fitting-Tube, Compression, 3/4 Tube OD X 3/4 MNPT
Q2	Screw-Hex Hd, 5/16-18 x 1-3/4 in
Q4	Priming Valve Subassembly
Q5	Elbow-Street, 90°, 3/4 NPT
Q8	Elbow-Street, 90°, 3/8 NPT
Q10	Elbow-Male, 3/8 NPT x 3/8 Flare
Q12	Hose, 3/8 NPT x 3/8 Tube x 26 in
Q14	Priming Valve Repair Kit
Q15	Priming Tube Repair Kit



Note:
1. If priming pump is not mounted on the transmission (separately mounted), Waterous does not furnish the hose and fittings to connect to priming pump.

S101 Pump, Front (Input Shaft) Side

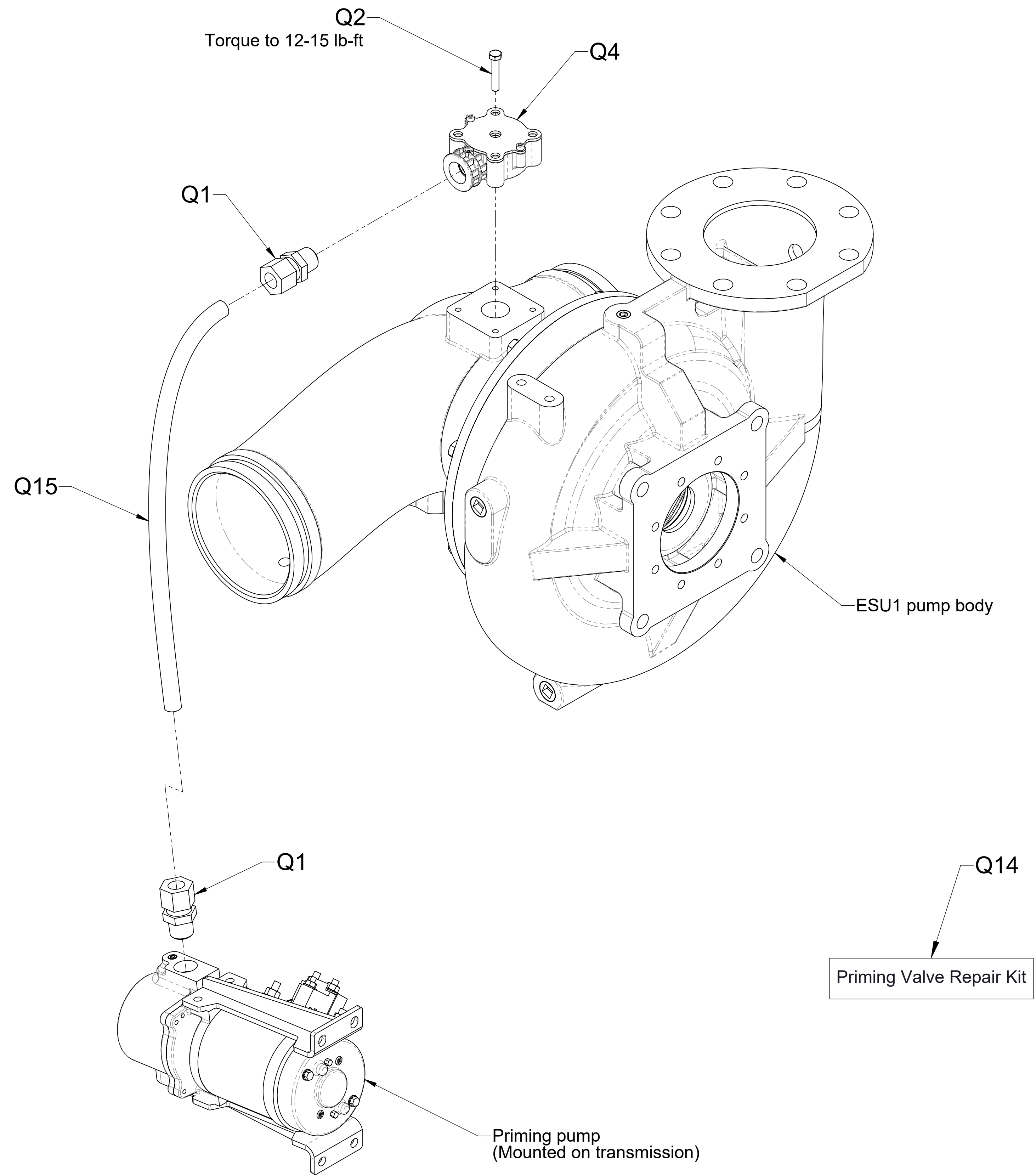
Ref No.	Description
Q1	Fitting-Tube, Compression, 3/4 Tube OD X 3/4 MNPT
Q4	Priming Valve Subassembly
Q6	Nipple-Pipe, 3/8 NPT x 1-1/2 in
Q14	Priming Valve Repair Kit



High Pressure Valve
(CP-4UH and CP-5 Only)

Priming Valve 3/8 NPT Nipple Mounted

Ref No.	Description
Q1	Fitting-Tube, Compression, 3/4 Tube OD X 3/4 MNPT
Q2	Screw-Hex Hd, 5/16-18 x 1-3/4 in
Q4	Priming Valve Subassembly
Q14	Priming Valve Repair Kit
Q15	Priming Tube Repair Kit



Note:

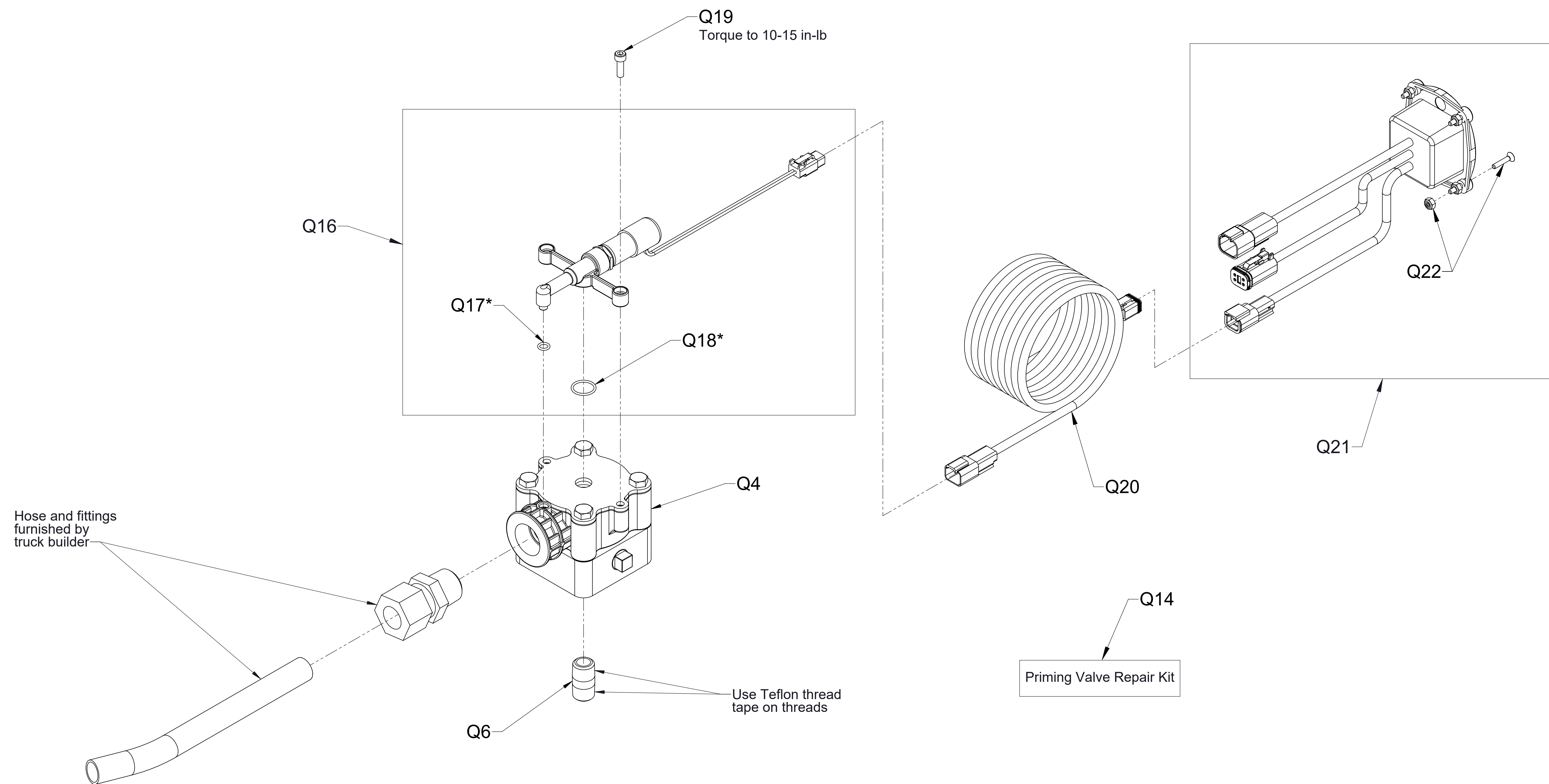
1. If priming pump is not mounted on the transmission (separately mounted), Waterous does not furnish the hose and fittings to connect to priming pump.

ESU1 (Inverted Dual Intake) Pump, Front (Input Shaft) Side or Rear (Output Shaft) Side

(Front (input shaft) side shown)

Ref No.	Description
Q4	Priming Valve Subassembly
Q6	Nipple-Pipe, 3/8 NPT x 1-1/2 in
Q14	Priming Valve Repair Kit
Q16	Solenoid Replacement Kit (Includes Q17 and Q18 O-Rings)
Q17*	O-Ring, 1/4 x 3/8 in
Q18*	O-Ring, 5/8 x 3/4 in
Q19	Screw-Soc Hd, M5-.8 x 16 mm
Q20	Solenoid Cable
Q21	Panel Assembly (Includes Q22 Fasteners)
Q22	Packet-Fasteners, Control Panel

*Part of Q16 Solenoid Replacement Kit



Additional Valves for Multiple VAP Systems