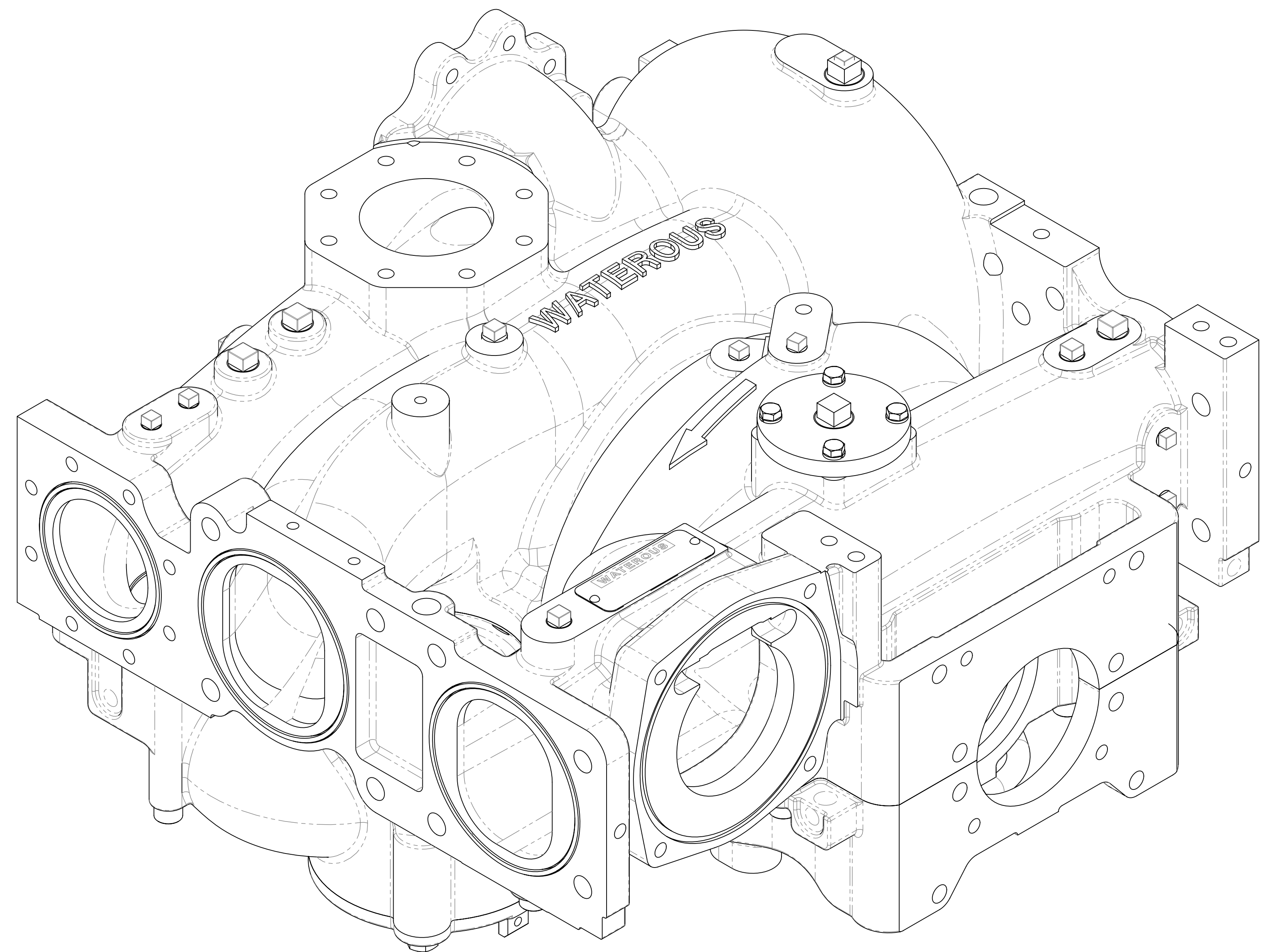
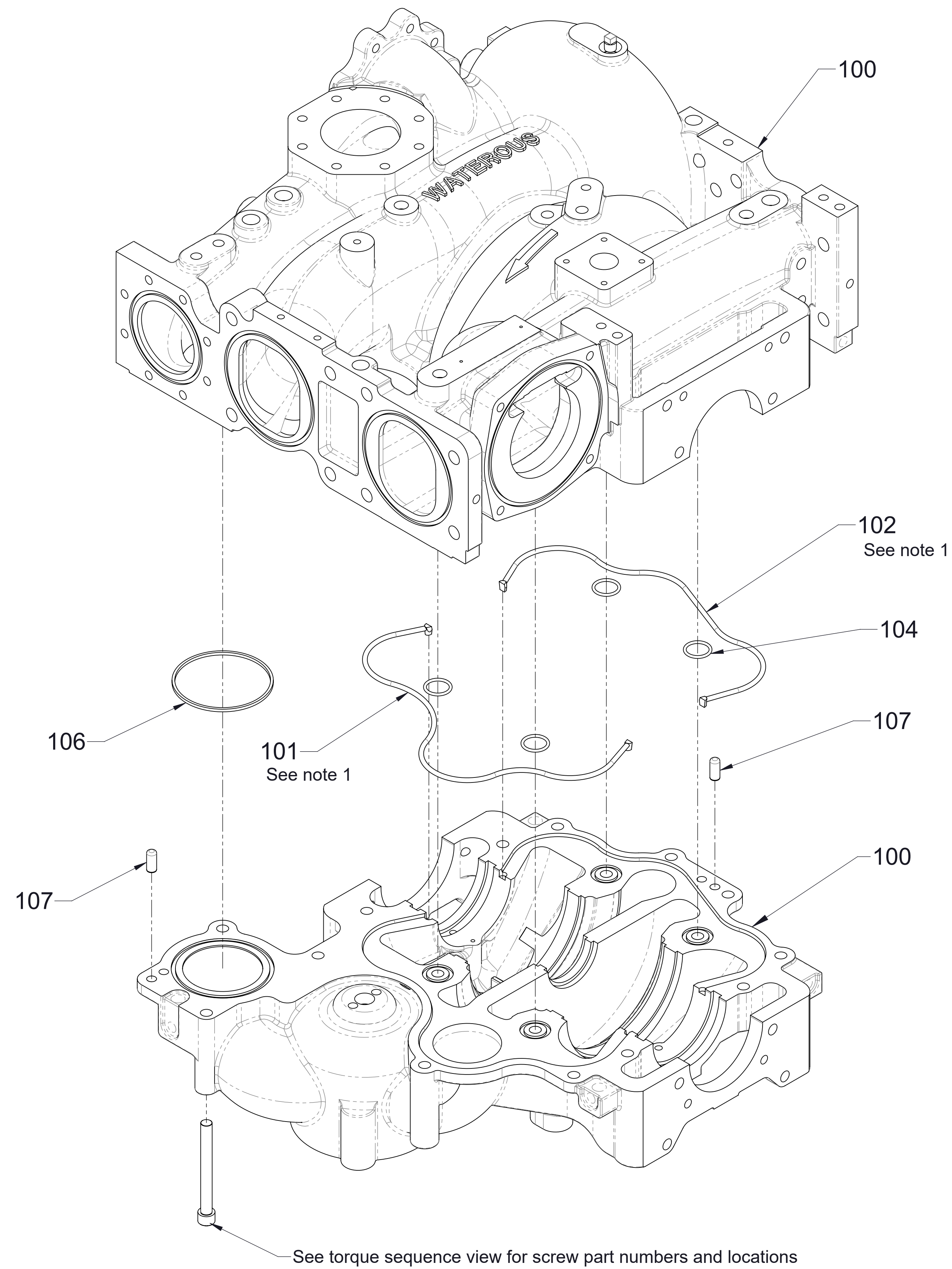


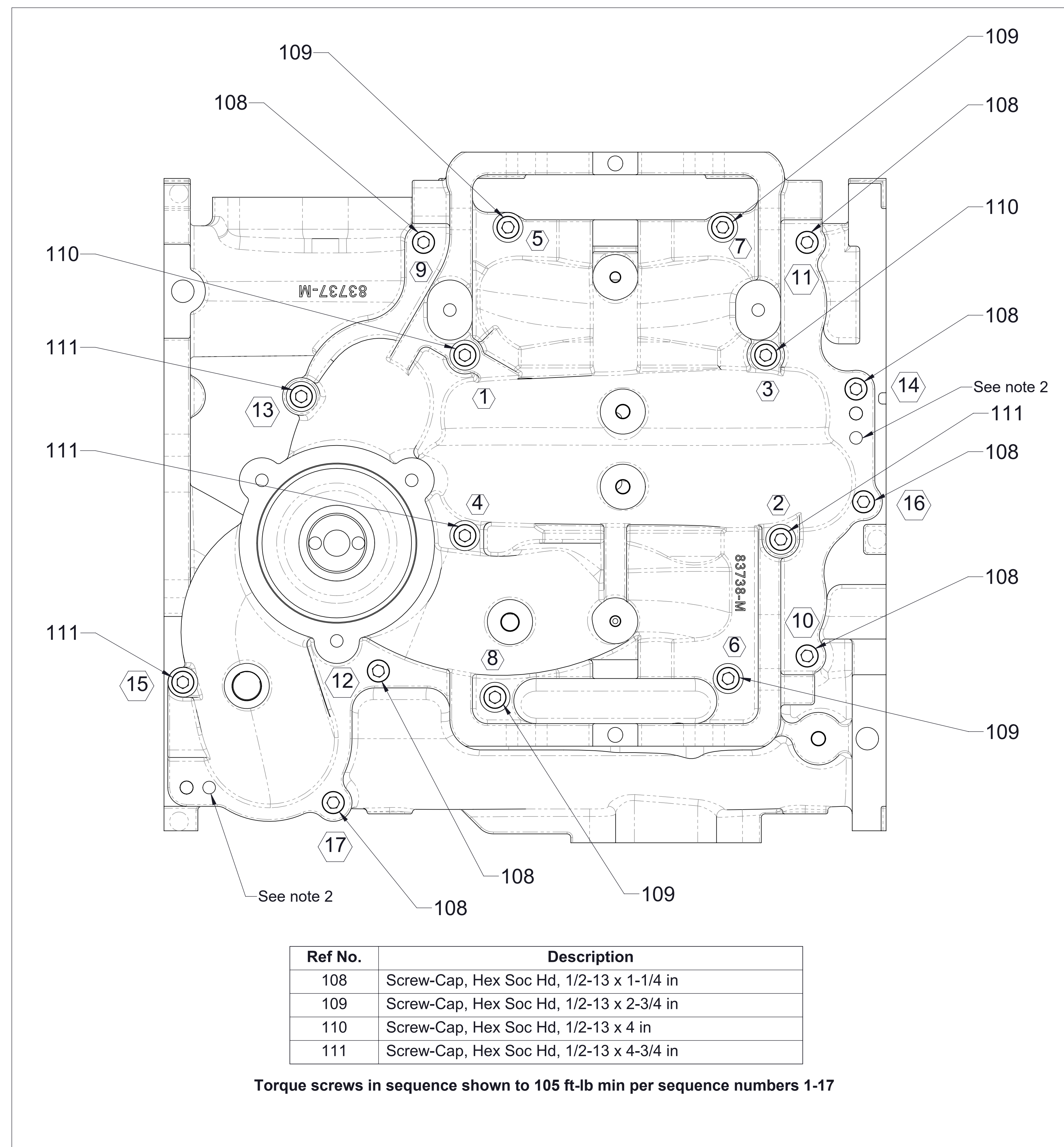
CM/CMU '23 Body Assembly Service Parts List

Description	See Page
Body to Cover Hardware and Molded Gaskets	2
Body/Cover Components	3
Plugged Front Discharge (CMCGV/CMUCGV)	4
Transfer Valve	5
Large Intake Adapters	6
Large Rear Intake Adapters	7
Tank to Pump Flange Fittings	8





Ref No.	Description	Included in Kit 103
100	Body Sub-Assembly	
101	Gasket-Molded, LH	X
102	Gasket-Molded, RH	X
103	Kit-Repair, Body Gaskets	
104	O-Ring, 1 x 1-1/4 in	X
106	Gasket - Flange, Discharge	X
107	Pin-Dowel, 7/16 x 1 in	



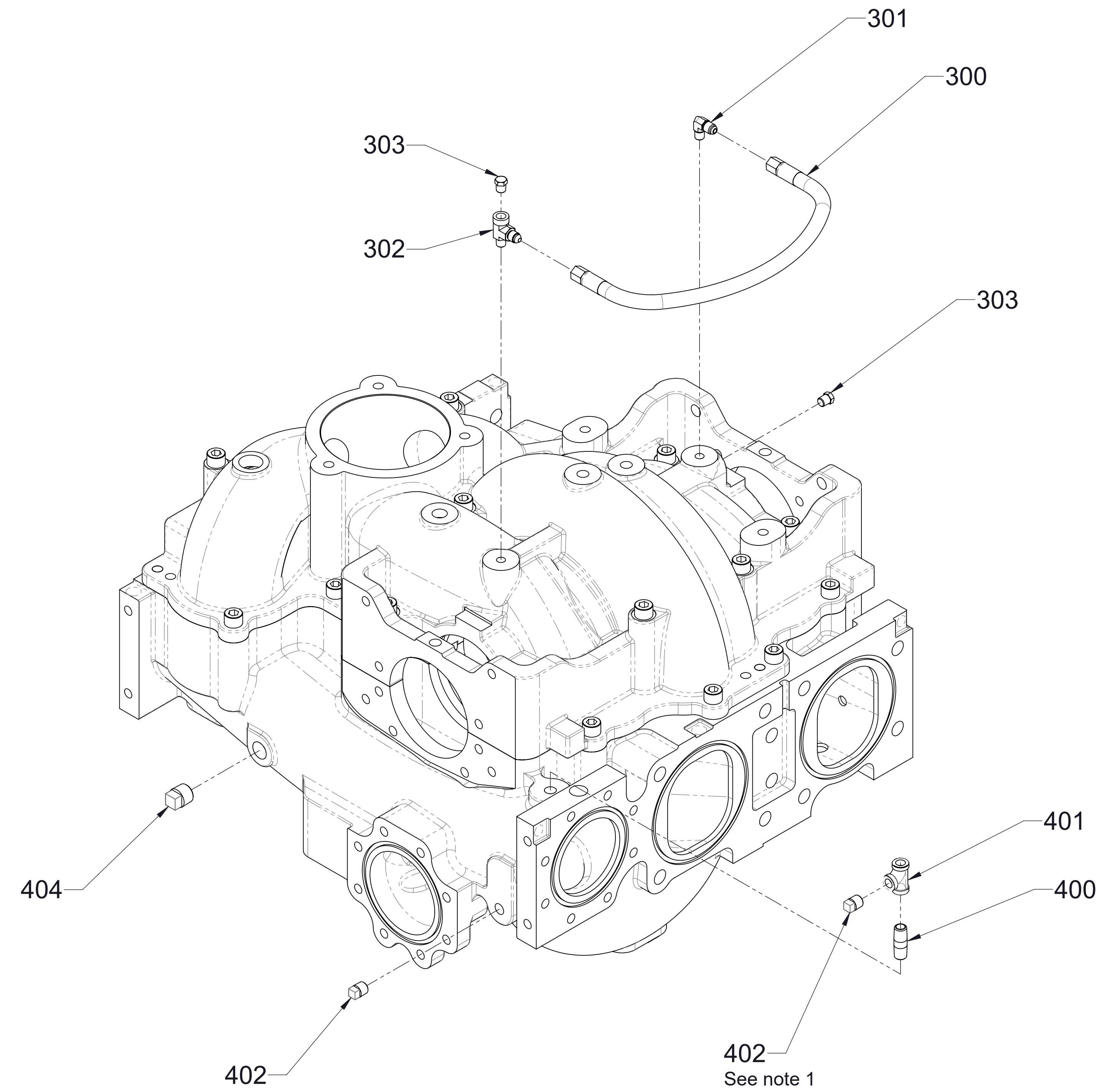
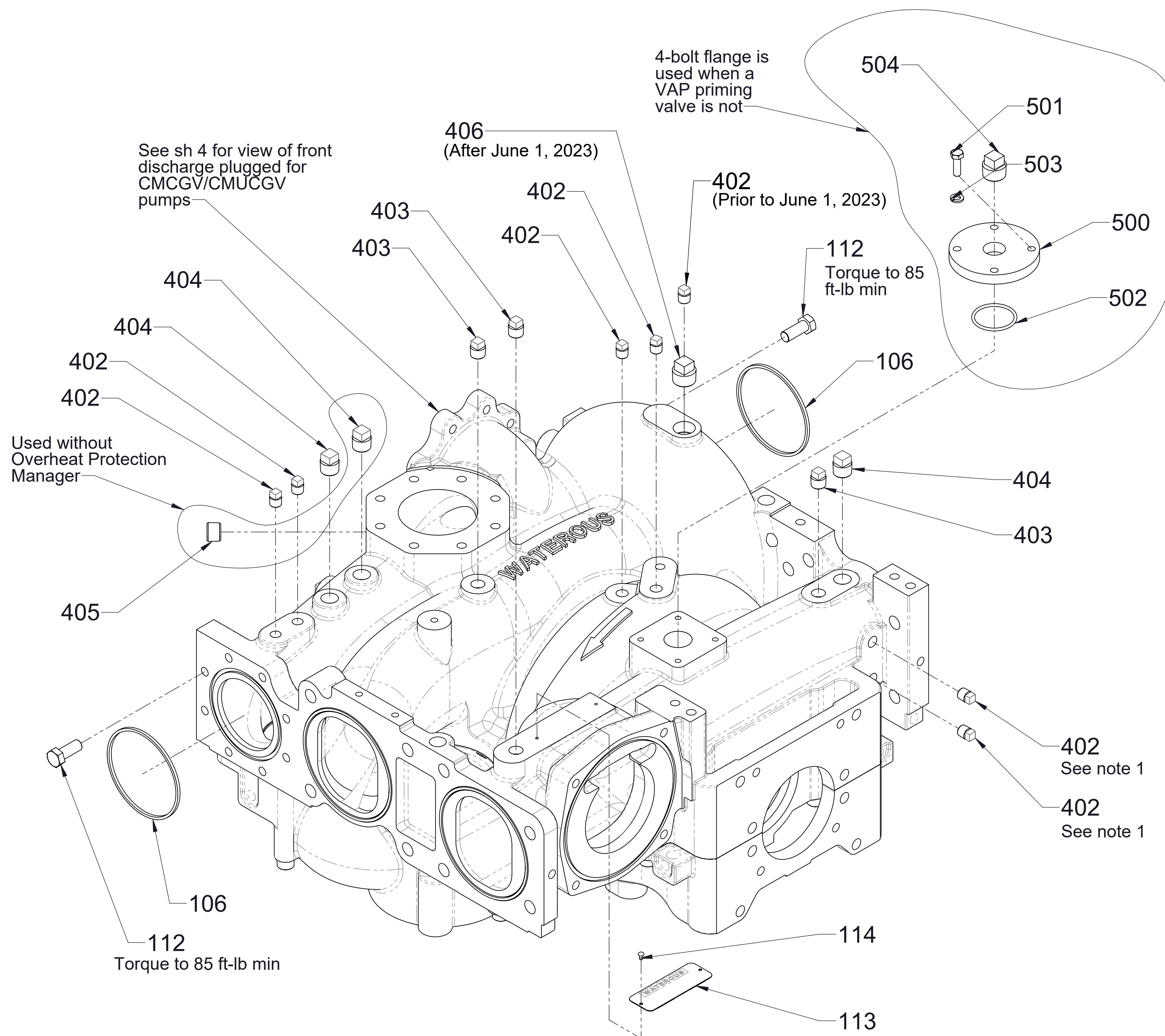
Ref No.	Description
108	Screw-Cap, Hex Soc Hd, 1/2-13 x 1-1/4 in
109	Screw-Cap, Hex Soc Hd, 1/2-13 x 2-3/4 in
110	Screw-Cap, Hex Soc Hd, 1/2-13 x 4 in
111	Screw-Cap, Hex Soc Hd, 1/2-13 x 4-3/4 in

Torque screws in sequence shown to 105 ft-lb min per sequence numbers 1-17

- Notes:
1. Apply silicone sealant to flat faces of the gasket where it comes in contact with the seal housing O-ring.
 2. 1/2-13 UNC tapped holes to accommodate the use of jacking screws during disassembly.

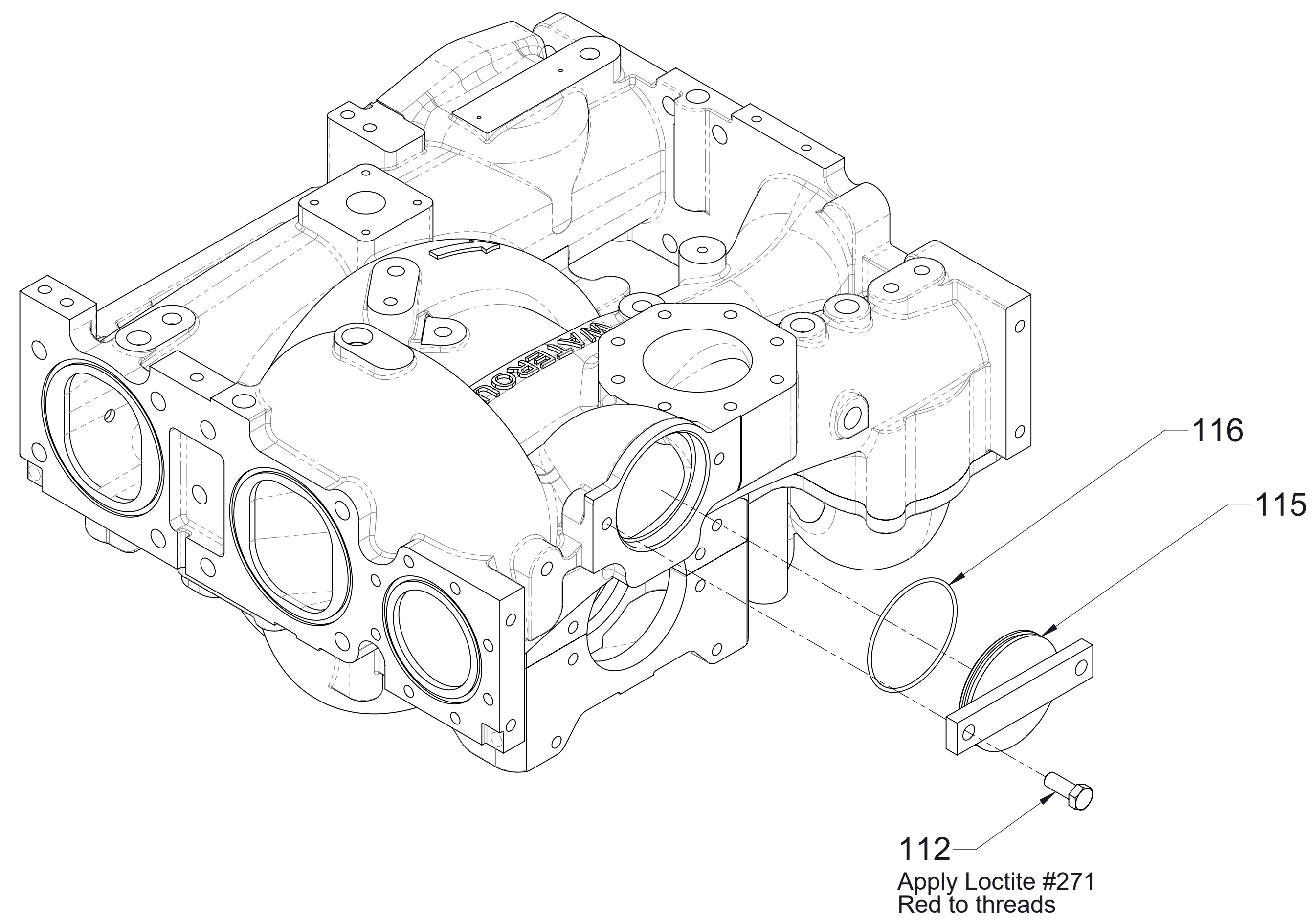
Ref No.	Description	Included in Kit 103
103	Kit-Repair, Body Gaskets	
106	Gasket - Flange, Discharge	X
112	Screw-Hex Hd, 1/2-13 x 1-1/4 in	
113	Plate-Serial	
114	Screw-Drive, #6 x 1/4 in	
402	Plug-Pipe, Square Hd, 1/4 NPT	
403	Plug-Pipe, Square Hd, 3/8 NPT	
404	Plug-Pipe, Square Hd, 1/2 NPT	
405	Plug-Pipe, Headless, 1/2 NPT	
406	Plug-Pipe, Square Hd, 3/4 NPT	
500	Cover-Pad, Priming Valve	
501	Screw-Hex Hd, 5/16-18 x 1 in	
502	O-Ring, 1-3/4 x 2 in	
503	Washer-Lock, 5/16 in	
504	Plug-Pipe, Square Hd, 3/4 NPT	

Ref No.	Description
300	Hose Assembly, 1/4 x 18-1/2 in
301	Elbow-Male, 1/8 NPT x 1/4 Flare
302	Tee, 1/8 MNPT x 1/8 FNPT x 1/4 in Tube
303	Plug-Pipe, Hex Hd, 1/8 NPT
400	Nipple-Pipe, 1/4 NPT x 1-1/2 in
401	Tee-Standard, Pipe, 1/4 NPT
402	Plug-Pipe, Square Hd, 1/4 NPT
404	Plug-Pipe, Square Hd, 1/2 NPT

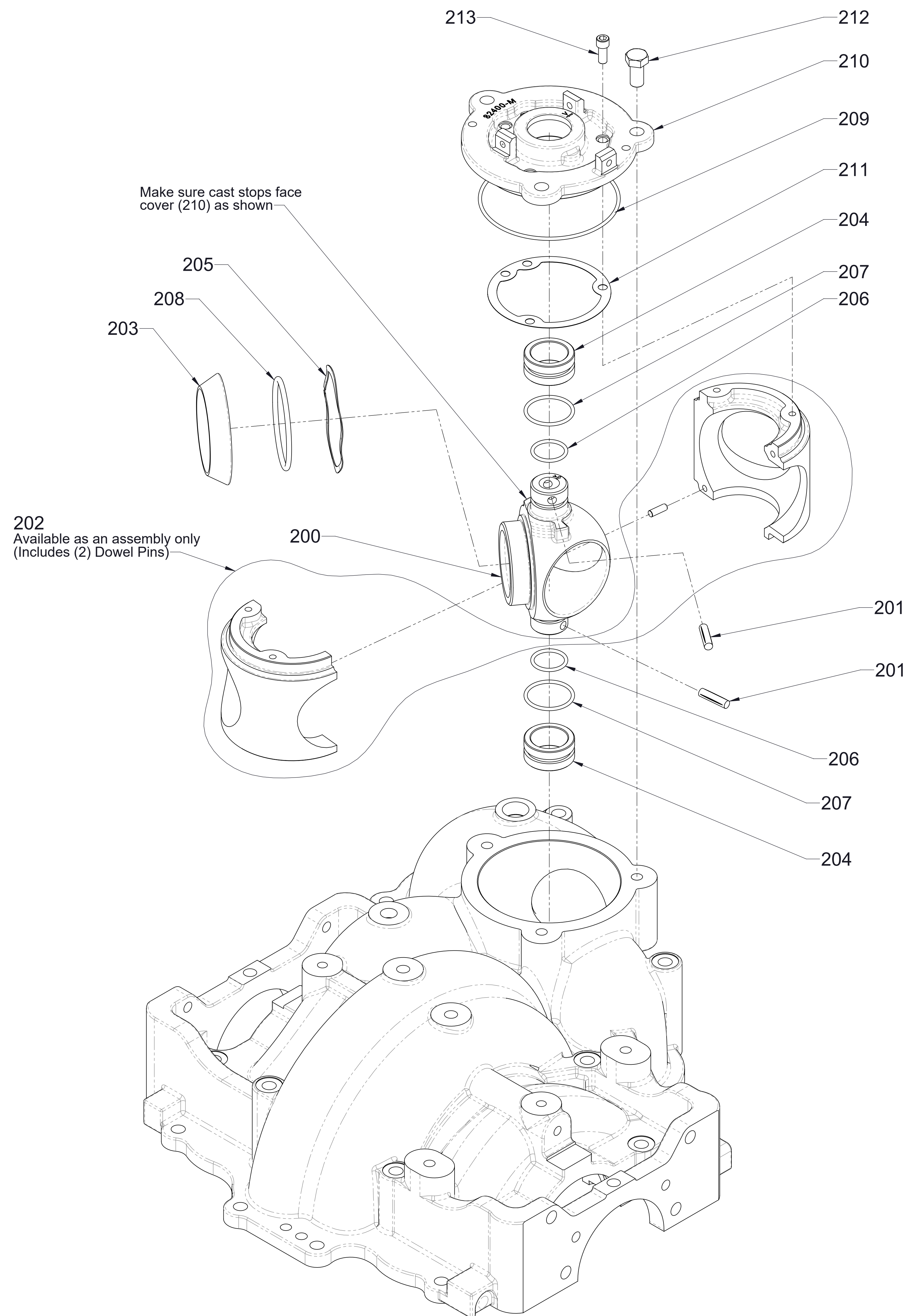


Note:
1. Apparatus builder may have removed 402 pipe plugs and installed piping to the drain valve.

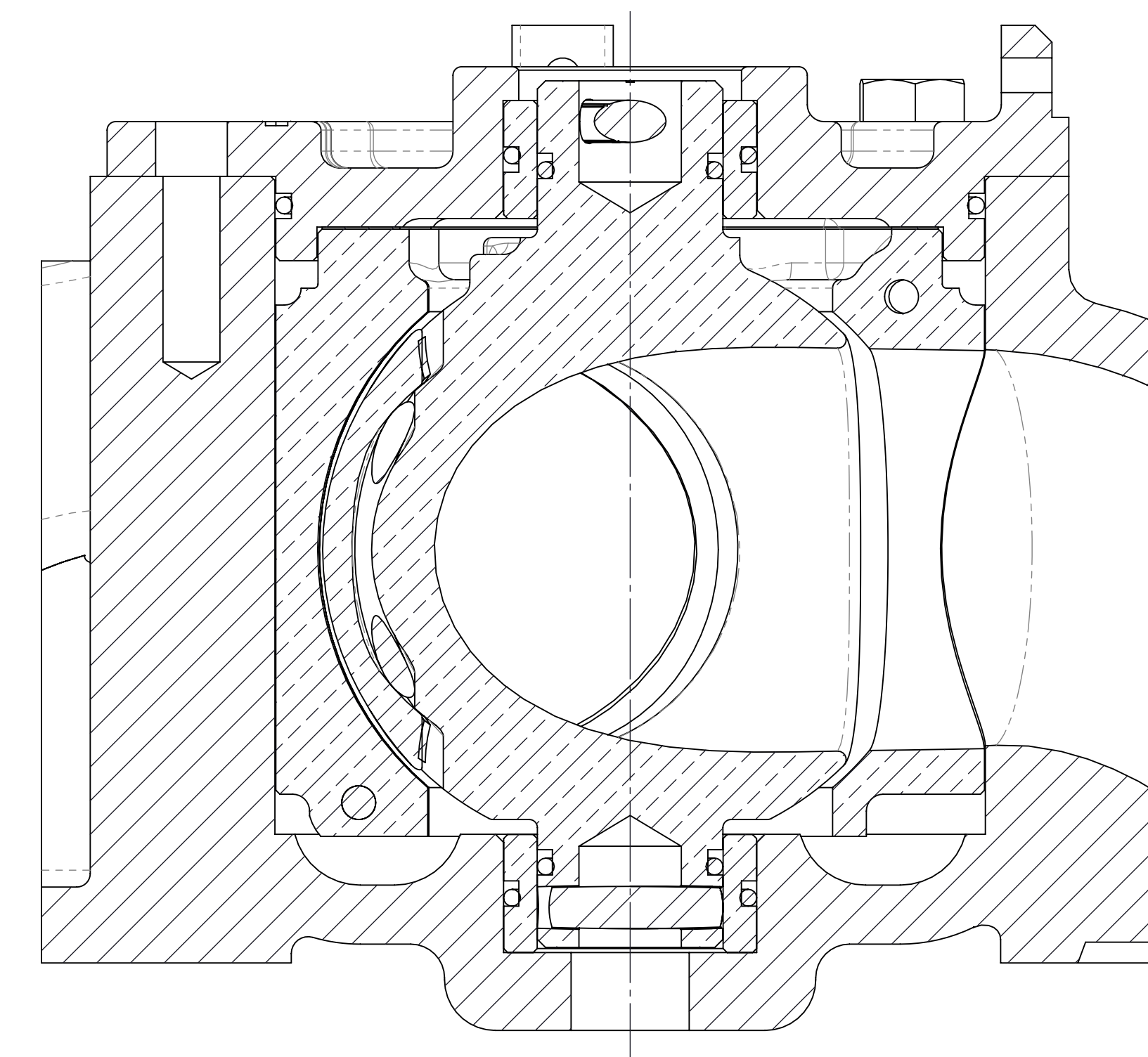
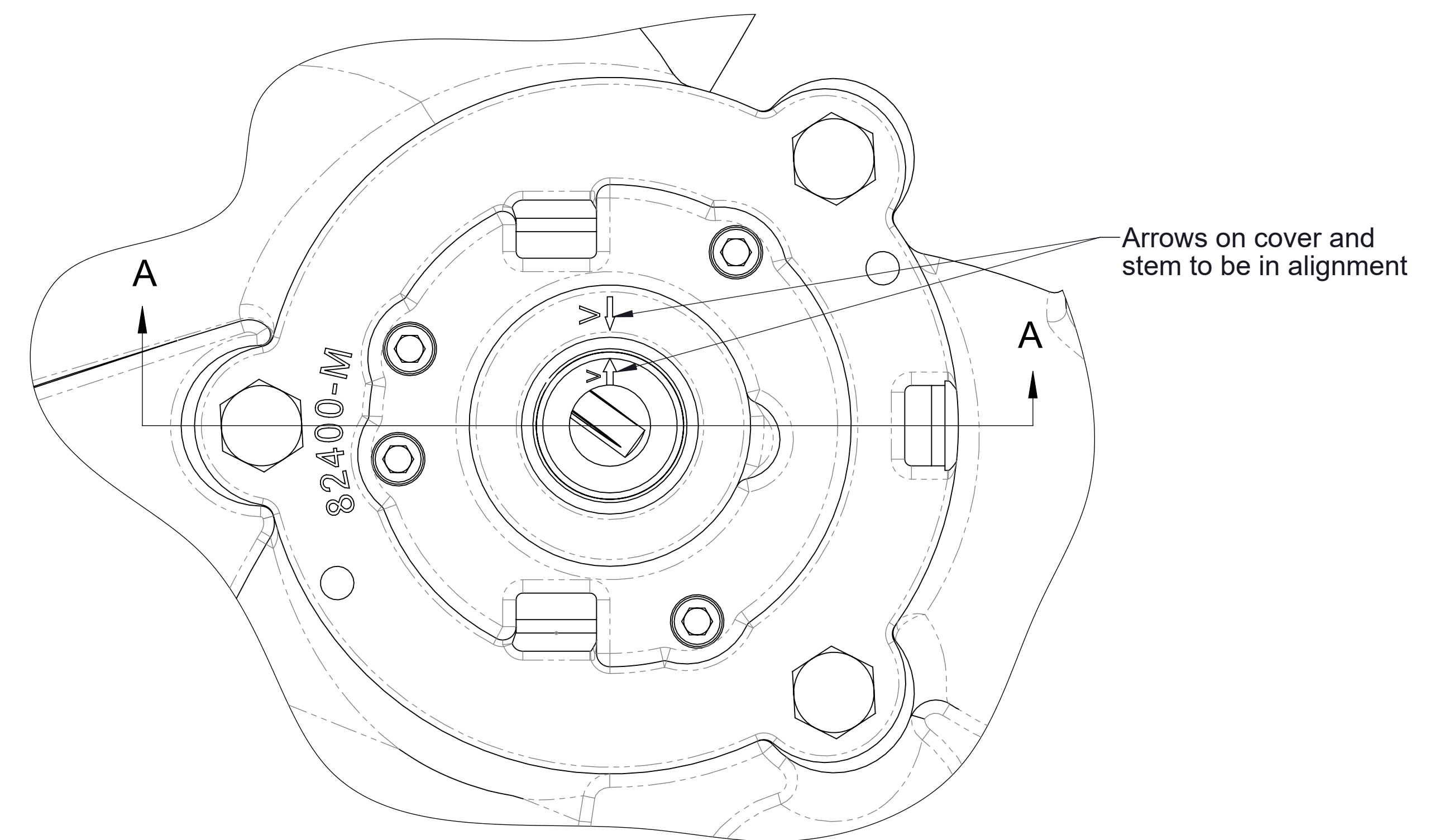
Ref No.	Description
112	Screw-Hex Hd, 1/2-13 x 1-1/4 in
115	Plug-Front Discharge
116	O-Ring, 3-3/4 X 4 in



Plugged Front Discharge
CMGV/CMUCGV



Ref No.	Description	Included in Kit 103	Included in Kit 214
103	Kit-Repair, Body Gaskets		
200	Ball-Valve, Transfer		
201	Pin-Groove, 5/16 x 1-1/4		X
202	Housing Assembly, Transfer Valve		
203	Seal-Valve, Transfer		X
204	Bushing-Stem		X
205	Spring-Wave, Transfer Valve		X
206	O-Ring, 1-1/8 x 1-3/8 in	X	X
207	O-Ring, 1-5/8 x 1-7/8 in	X	X
208	O-Ring, 3-1/8 x 3-1/2 in	X	X
209	O-Ring, 5 x 5-1/4 in	X	X
210	Cover-Valve, Transfer		
211	Gasket-Housing, Transfer Valve	X	X
212	Screw-Hex Hd, 1/2-13 x 1 in		
213	Screw-Cap, Hex Soc Hd, 5/16-18 x 3/4 in		
214	Kit-Repair, Transfer Valve		

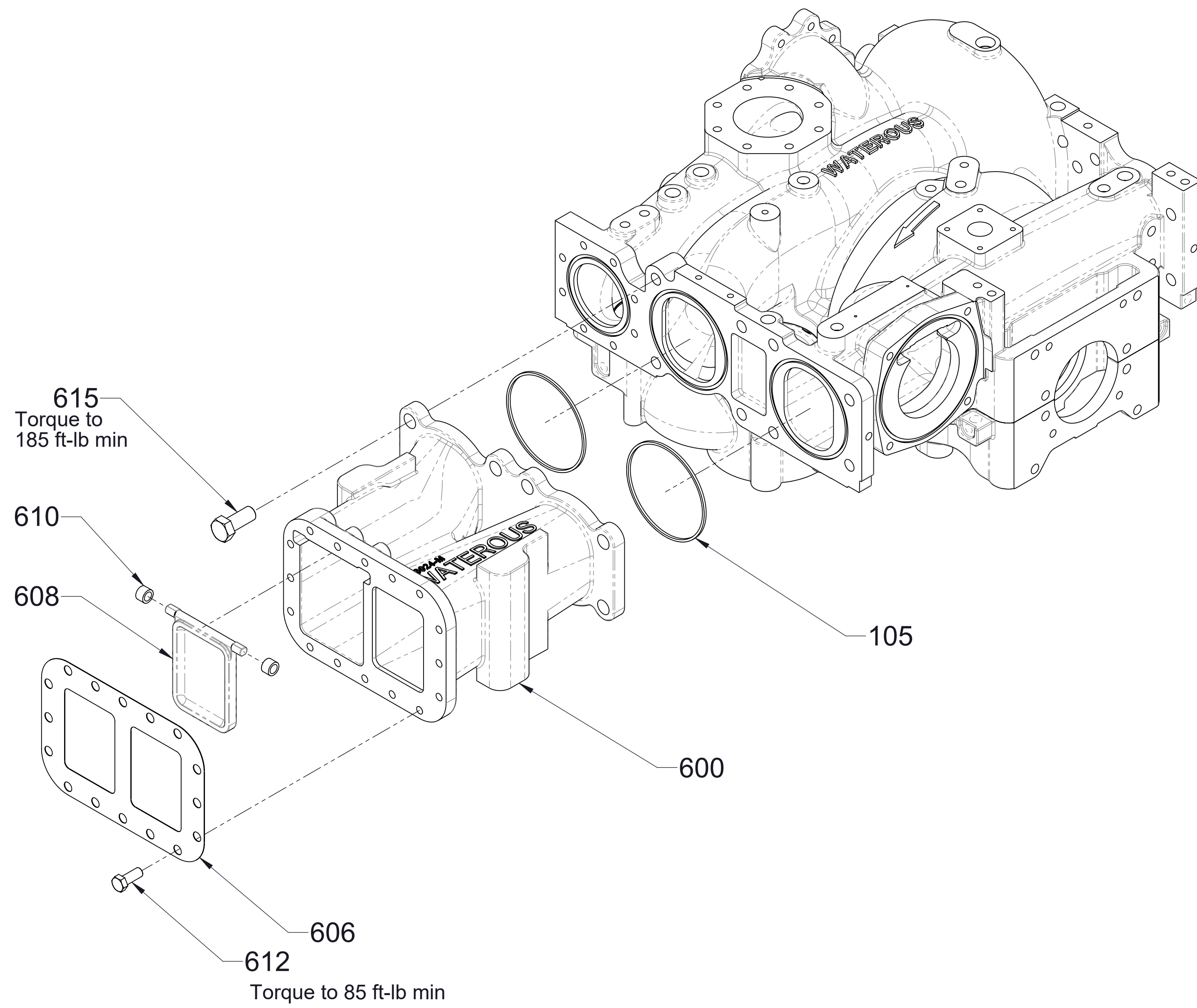


Transfer Valve
Used with rotary style transfer valve actuator

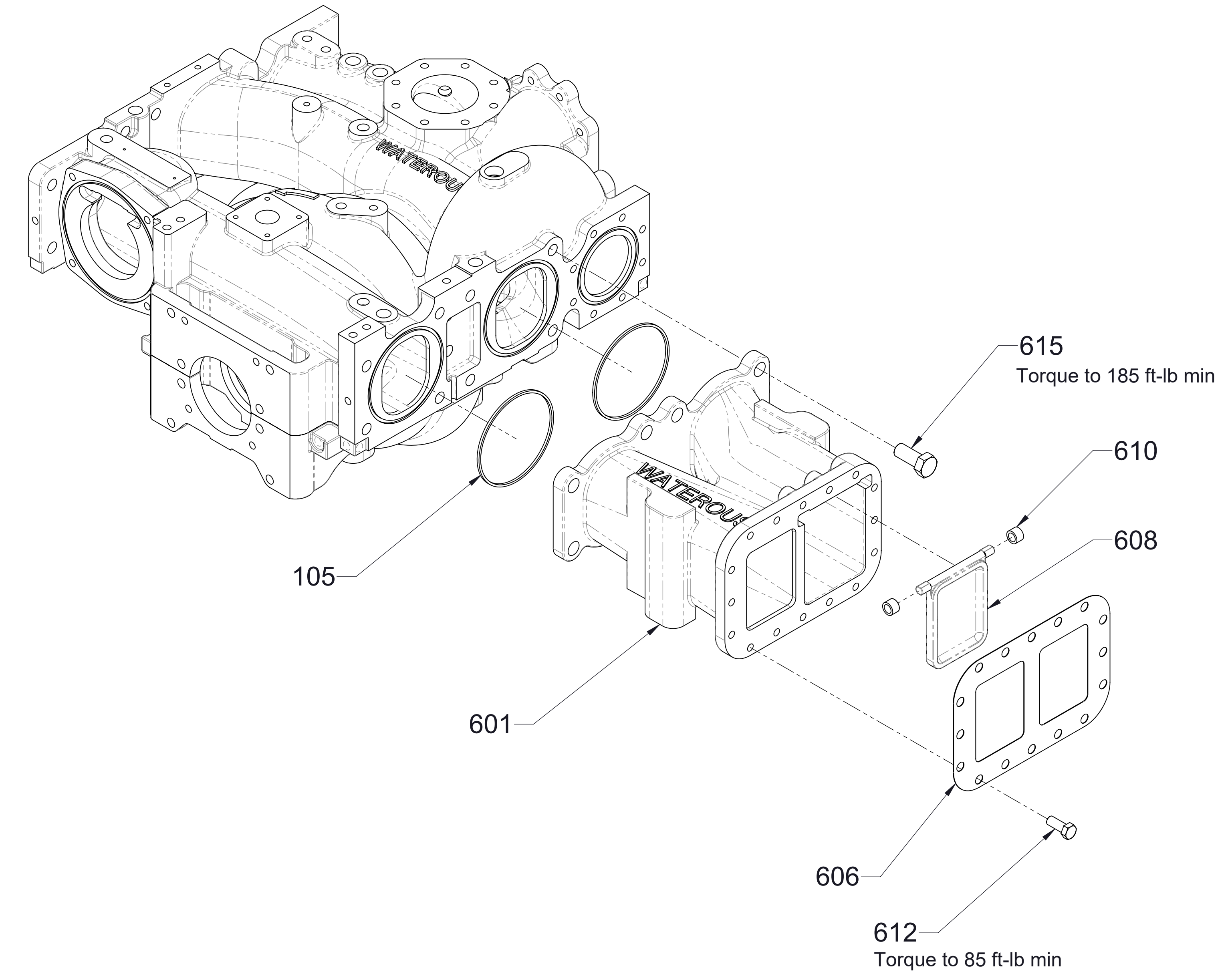
Section A-A

Ref No.	Description	Included in Kit 103
103	Kit-Repair, Body Gaskets	
105	Gasket, Suction Flange	X
600	Adapter-Intake, Large, LH	
606	Gasket-Fitting, Intake, Large	
608	Valve-Flap, Large	
610	Bearing-Plain	
612	Screw-Hex Hd, 1/2-13 x 1-1/4 in	
615	Screw-Hex Hd, 3/4-10 x 1-3/4 in	

Ref No.	Description	Included in Kit 103
103	Kit-Repair, Body Gaskets	
105	Gasket, Suction Flange	X
601	Adapter-Intake, Large, RH	
606	Gasket-Fitting, Intake, Large	
608	Valve-Flap, Large	
610	Bearing-Plain	
612	Screw-Hex Hd, 1/2-13 x 1-1/4 in	
615	Screw-Hex Hd, 3/4-10 x 1-3/4 in	



Left Side

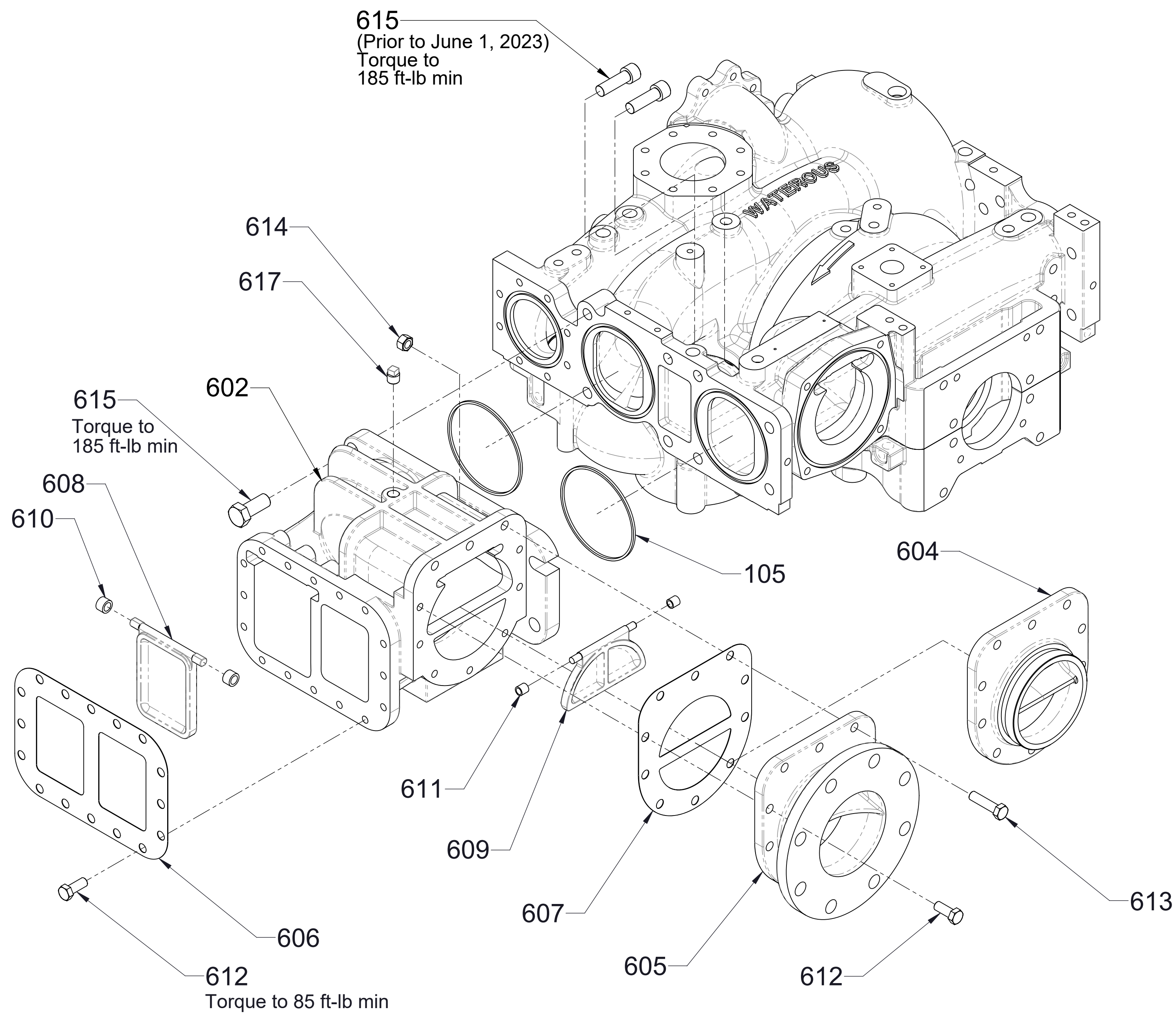


Right Side

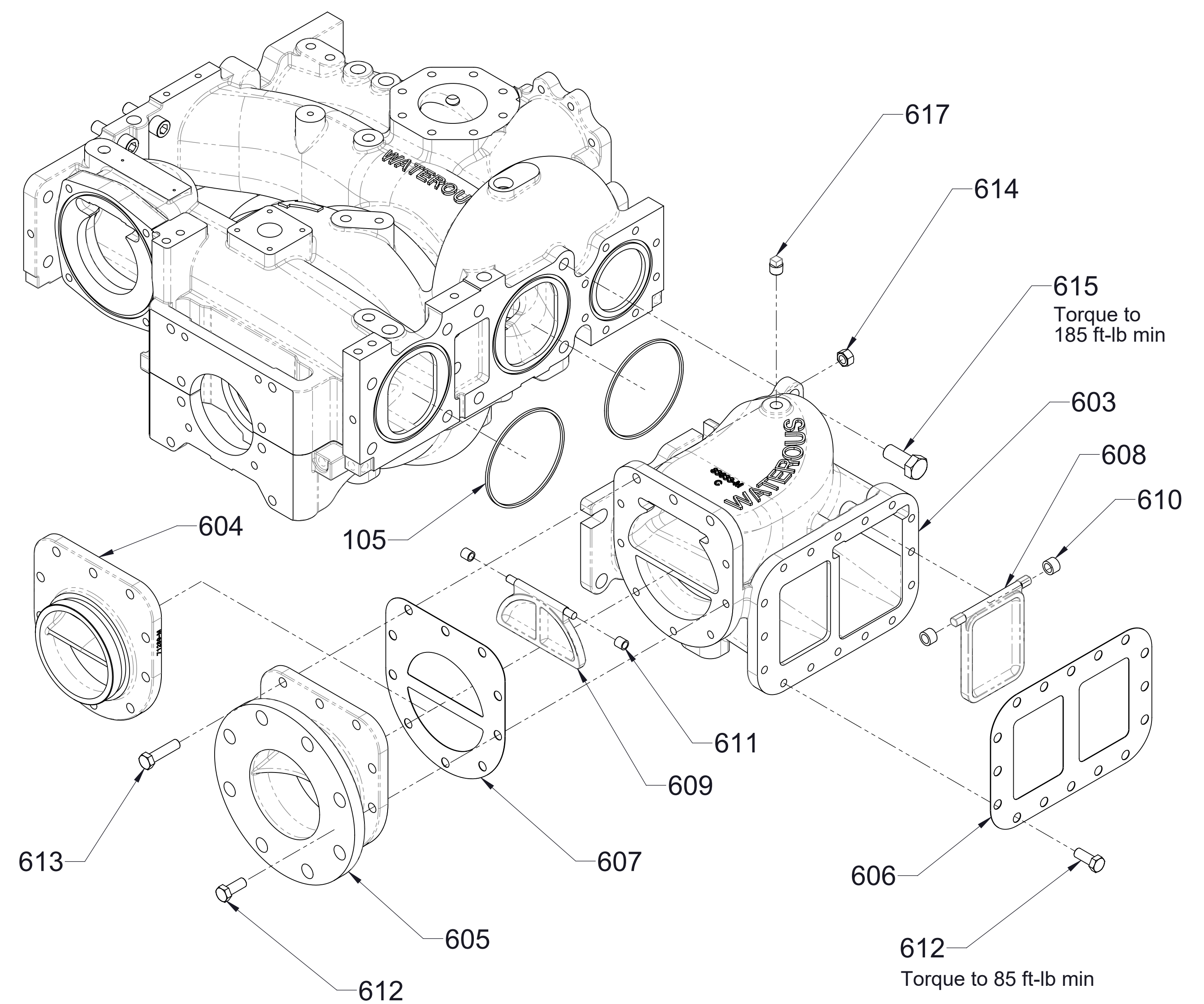
Large Intake Adapter

Ref No.	Description	Included in Kit 103
103	Kit-Repair, Body Gaskets	
105	Gasket, Suction Flange	X
602	Adapter-Intake, Rear, Large, Left Hand	
604	Nipple, Victaulic, 5 in	
605	Adapter-Flanged, 5 in ANSI	
606	Gasket-Fitting, Intake, Large	
607	Gasket-Intake Fitting	
608	Valve-Flap, Large	
609	Valve-Check	
610	Bearing-Plain	
611	Bearing-Plain	
612	Screw-Hex Hd, 1/2-13 x 1-1/4 in	
613	Screw-Hex Hd, 1/2-20 x 2 in	
614	Nut-Hex, 1/2-20	
615	Screw-Socket Hd, 5/8-11 x 2 in (Prior to June 1, 2023)	
615	Screw-Hex Hd, 3/4-10 x 1-3/4 in	
616	Screw-Cap, Hex Soc Hd, 5/8-11 x 2 in	
617	Plug-Pipe, Square Hd, 3/8 NPT	

Ref No.	Description	Included in Kit 103
103	Kit-Repair, Body Gaskets	
105	Gasket, Suction Flange	X
603	Adapter-Intake, Rear, Large, RH	
604	Nipple, Victaulic, 5 in	
605	Adapter-Flanged, 5 in ANSI	
606	Gasket-Fitting, Intake, Large	
607	Gasket-Intake Fitting	
608	Valve-Flap, Large	
609	Valve-Check	
610	Bearing-Plain	
611	Bearing-Plain	
612	Screw-Hex Hd, 1/2-13 x 1-1/4 in	
613	Screw-Hex Hd, 1/2-20 x 2 in	
614	Nut-Hex, 1/2-20	
615	Screw-Hex Hd, 3/4-10 x 1-3/4 in	
617	Plug-Pipe, Square Hd, 3/8 NPT	



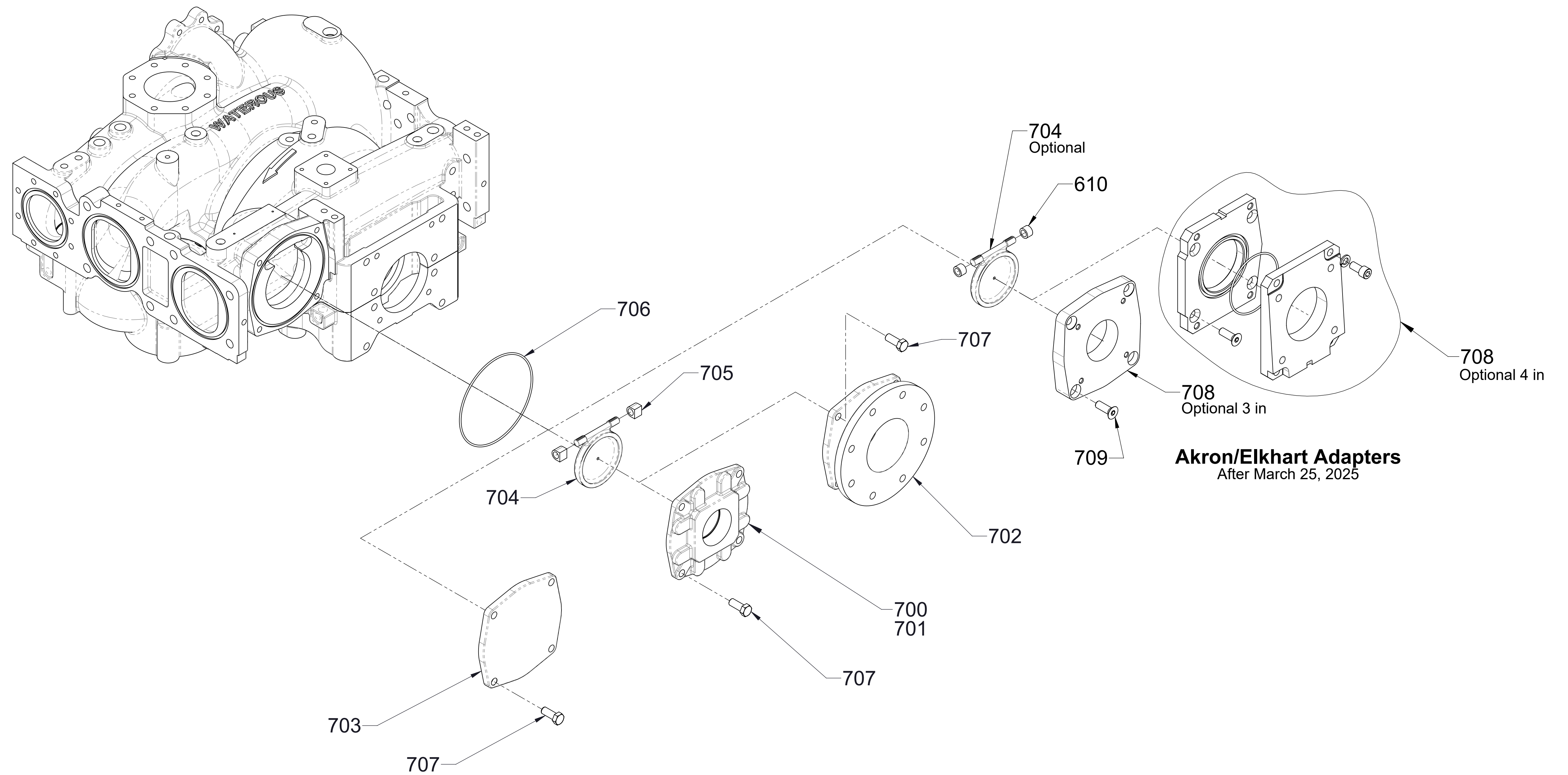
Left Side



Right Side

Large Rear Intake Adapter

Ref No.	Description	Included in Kit 103
103	Kit-Repair, Body Gaskets	
610	Bearing-Plain, TFE	
700	Adapter-Intake, Tank, 2-1/2 NPT	
701	Adapter-Intake, Tank, 3 NPT	
702	Adapter-Intake, Tank, 4 in ANSI	
703	Flange-Blind	
704	Valve-Check	
705	Bushing-Check Valve	
706	O-Ring, 6-3/4 x 7 in	X
707	Screw-Hex Hd, 1/2-13 x 1-1/4 in	
708	Adapter-Tank to Pump, 3 in Adapter-Tank to Pump, 4 in	
709	Screw-Machine, Flat Hd, Hex Soc, 1/2-13 x 1-1/2 in	



Tank to Pump Flange Fittings